



US00D641881S

(12) **United States Design Patent**  
**Inami et al.**

(10) **Patent No.:** **US D641,881 S**  
(45) **Date of Patent:** **\*\* Jul. 19, 2011**

(54) **SPHYGMOMANOMETER**

(56) **References Cited**

(75) Inventors: **Yoshikazu Inami**, Akashi (JP); **Daisuke Nozaki**, Kyoto (JP); **Takeyasu Hashimoto**, Kusatsu (JP); **Shinjiro Komizo**, Kyoto (JP)

U.S. PATENT DOCUMENTS

D290,501 S *	6/1987	Tsuji .....	D24/165
D380,834 S *	7/1997	Mahoney .....	D24/167
D475,137 S *	5/2003	Manke et al. ....	D24/165
D571,013 S *	6/2008	Kitamura et al. ....	D24/165
D577,440 S *	9/2008	Ferber et al. ....	D24/165
D583,948 S *	12/2008	Hachimaru et al. ....	D24/165
D609,344 S *	2/2010	Hara .....	D24/165

(73) Assignee: **Omron Healthcare Co., Ltd.**, Kyoto (JP)

\* cited by examiner

(\*\*) Term: **14 Years**

*Primary Examiner* — Anhdao Doan

(74) *Attorney, Agent, or Firm* — Capitol City TechLaw

(21) Appl. No.: **29/383,682**

(57) **CLAIM**

The ornamental design for a sphygmomanometer, as shown and described.

(22) Filed: **Jan. 20, 2011**

**DESCRIPTION**

(30) **Foreign Application Priority Data**

Aug. 2, 2010 (JP) ..... 2010-018797

(51) **LOC (9) Cl.** ..... **24-02**

(52) **U.S. Cl.** ..... **D24/165**

(58) **Field of Classification Search** ..... D24/164-169,  
D24/107, 186, 187; D10/46, 70, 75, 98;  
600/301, 481-483, 485, 490, 493-495, 500,  
600/503, 509; 128/900

FIG. 1 is a front, top, and right side perspective view of a sphygmomanometer showing our new design; FIG. 2 is a rear, bottom, and left side perspective view thereof; FIG. 3 is a front elevational view thereof; FIG. 4 is a rear elevational view thereof; FIG. 5 is a top plan view thereof; FIG. 6 is a bottom plan view thereof; FIG. 7 is a right side elevational view thereof; and, FIG. 8 is a left side elevational view thereof.

The broken lines in the figure views are included for the purpose of illustrating portions of the sphygmomanometer that form no part of the claimed design.

See application file for complete search history.

**1 Claim, 6 Drawing Sheets**

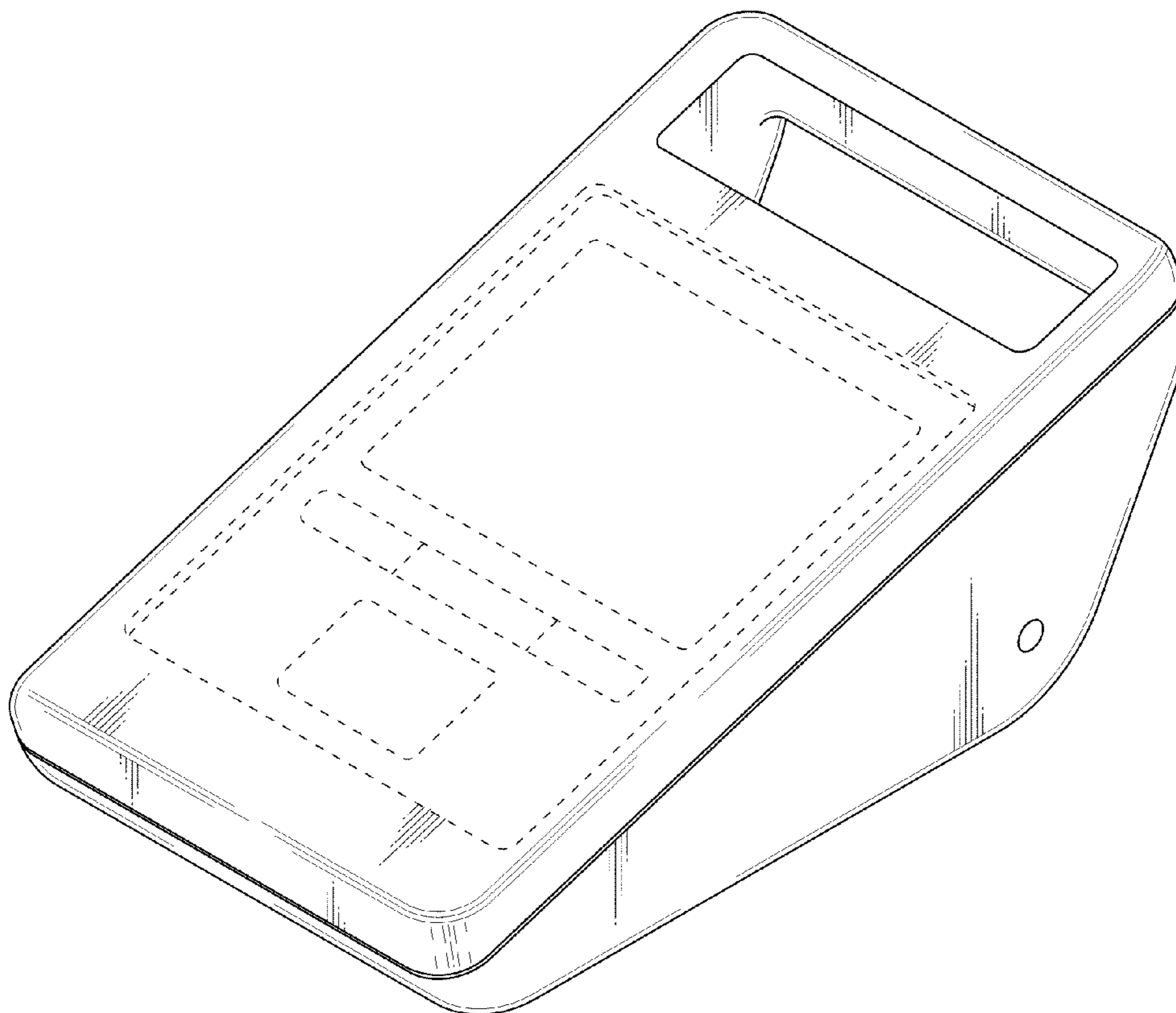


Fig. 1

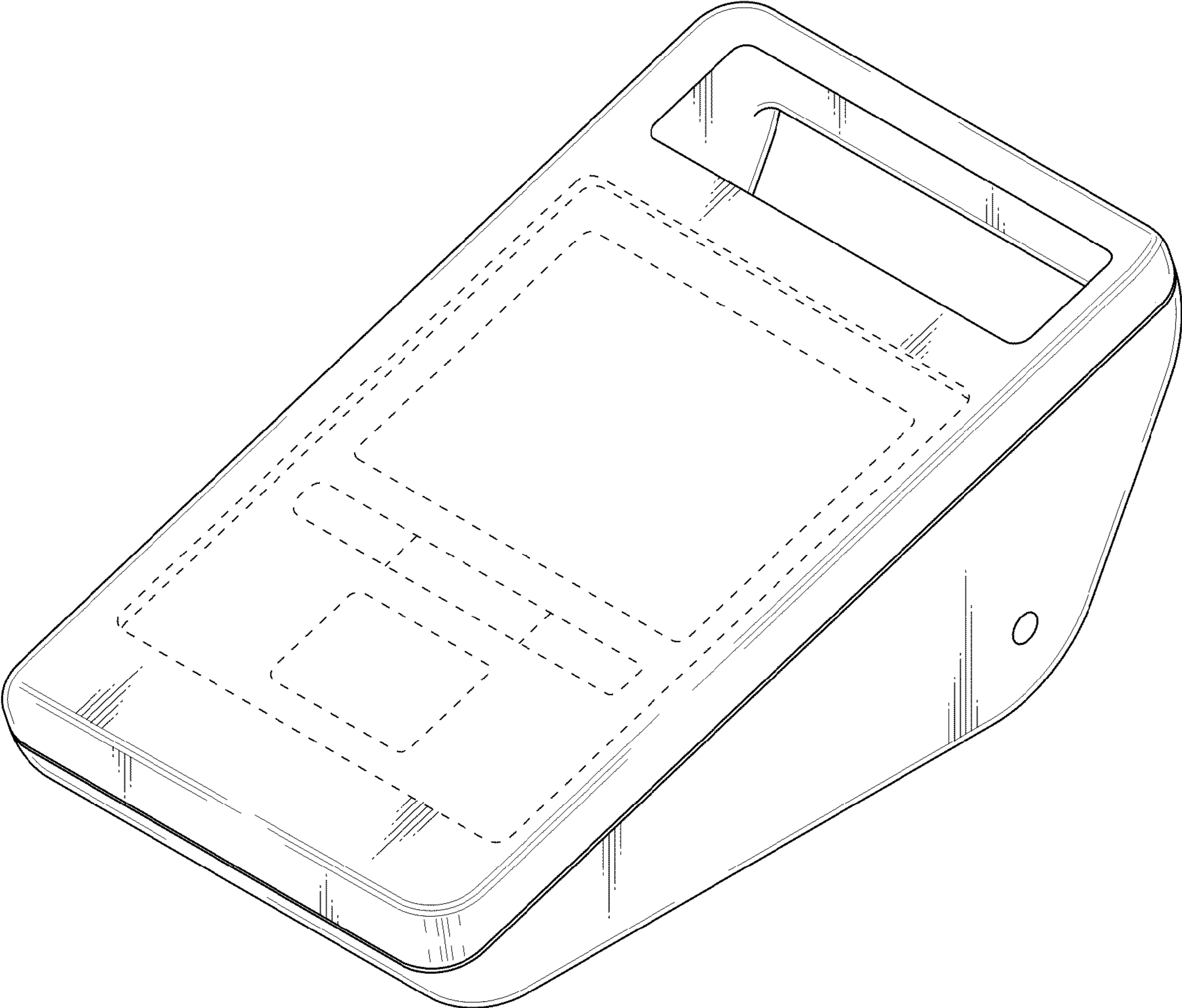


Fig. 2

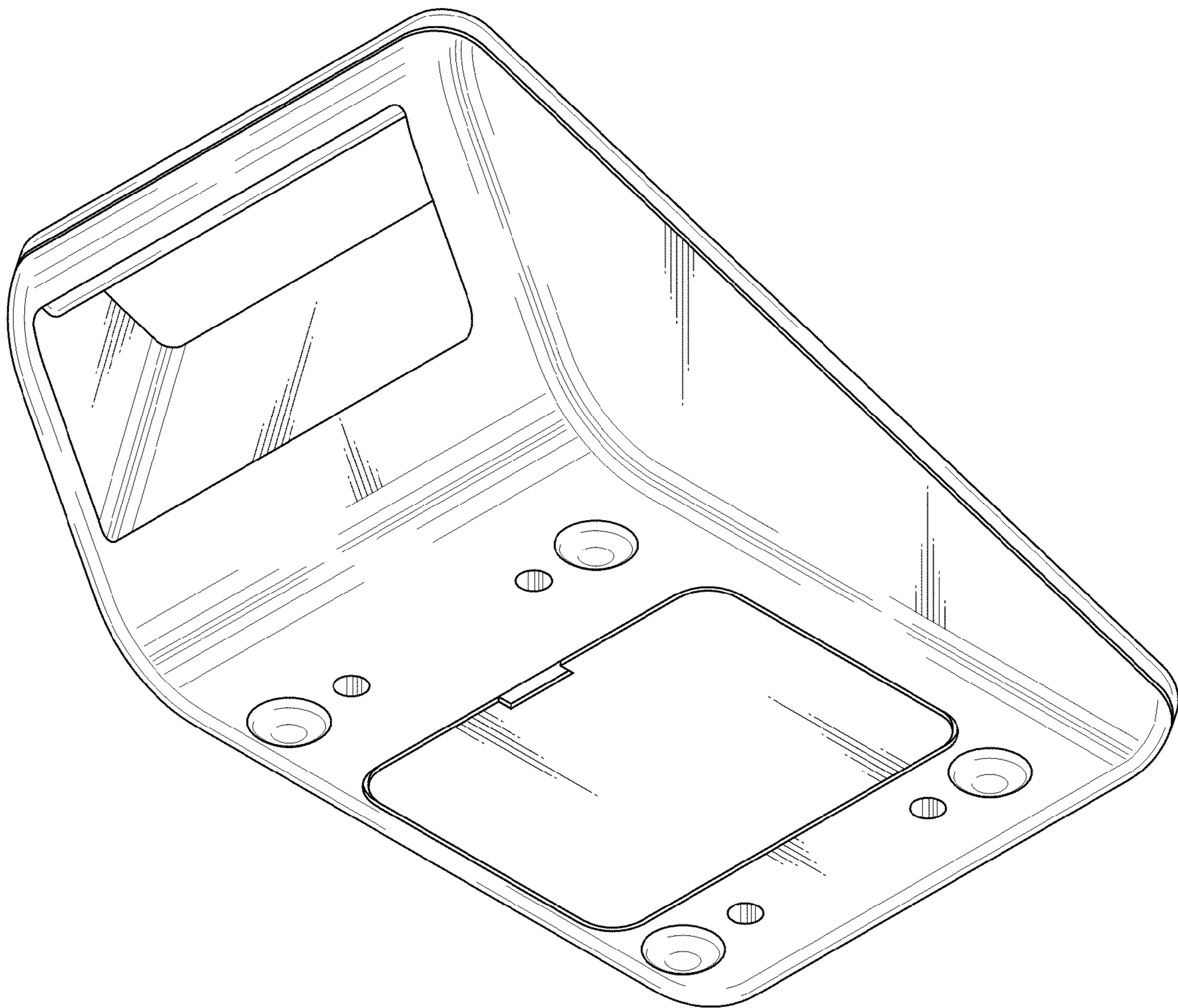


Fig. 3

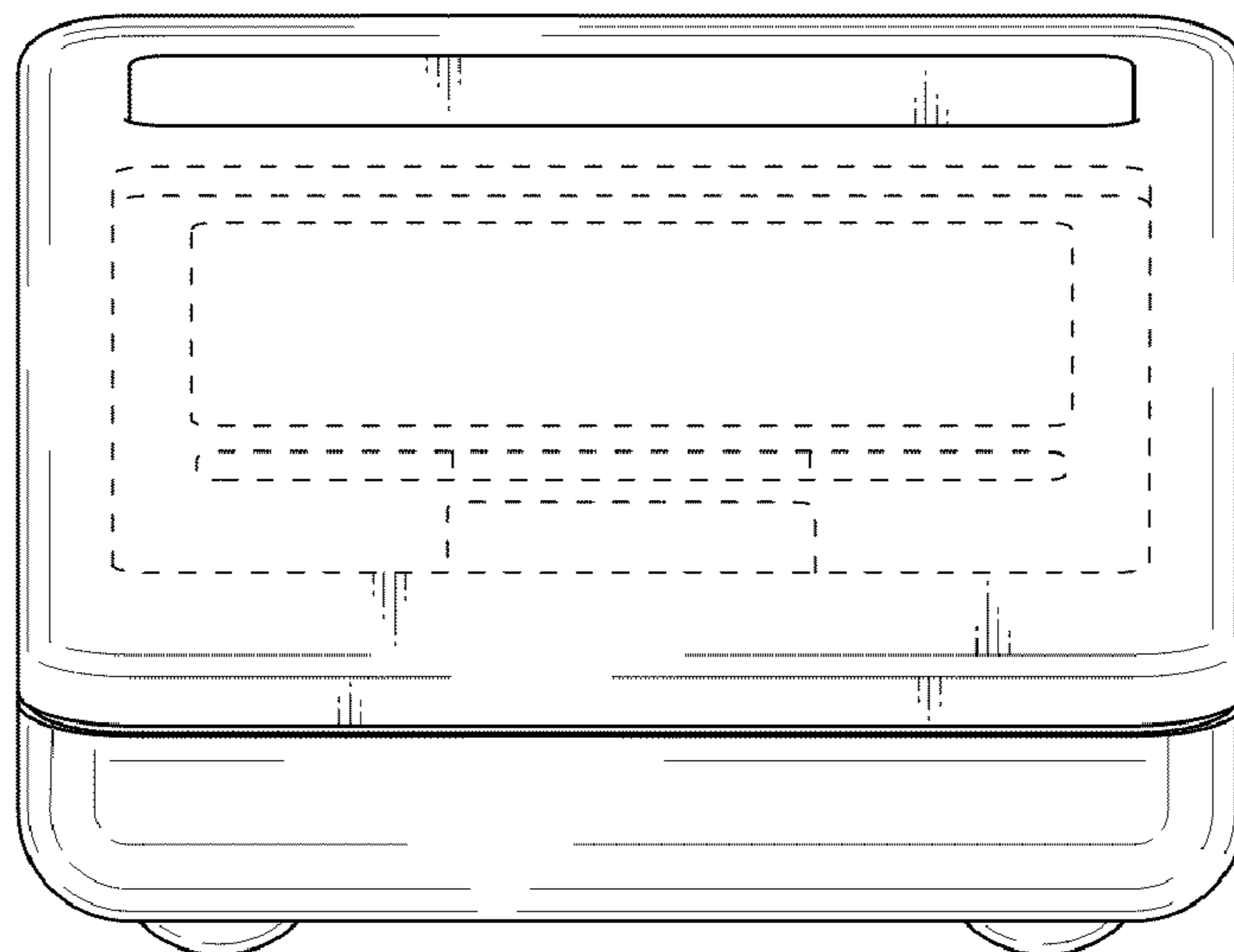


Fig. 4

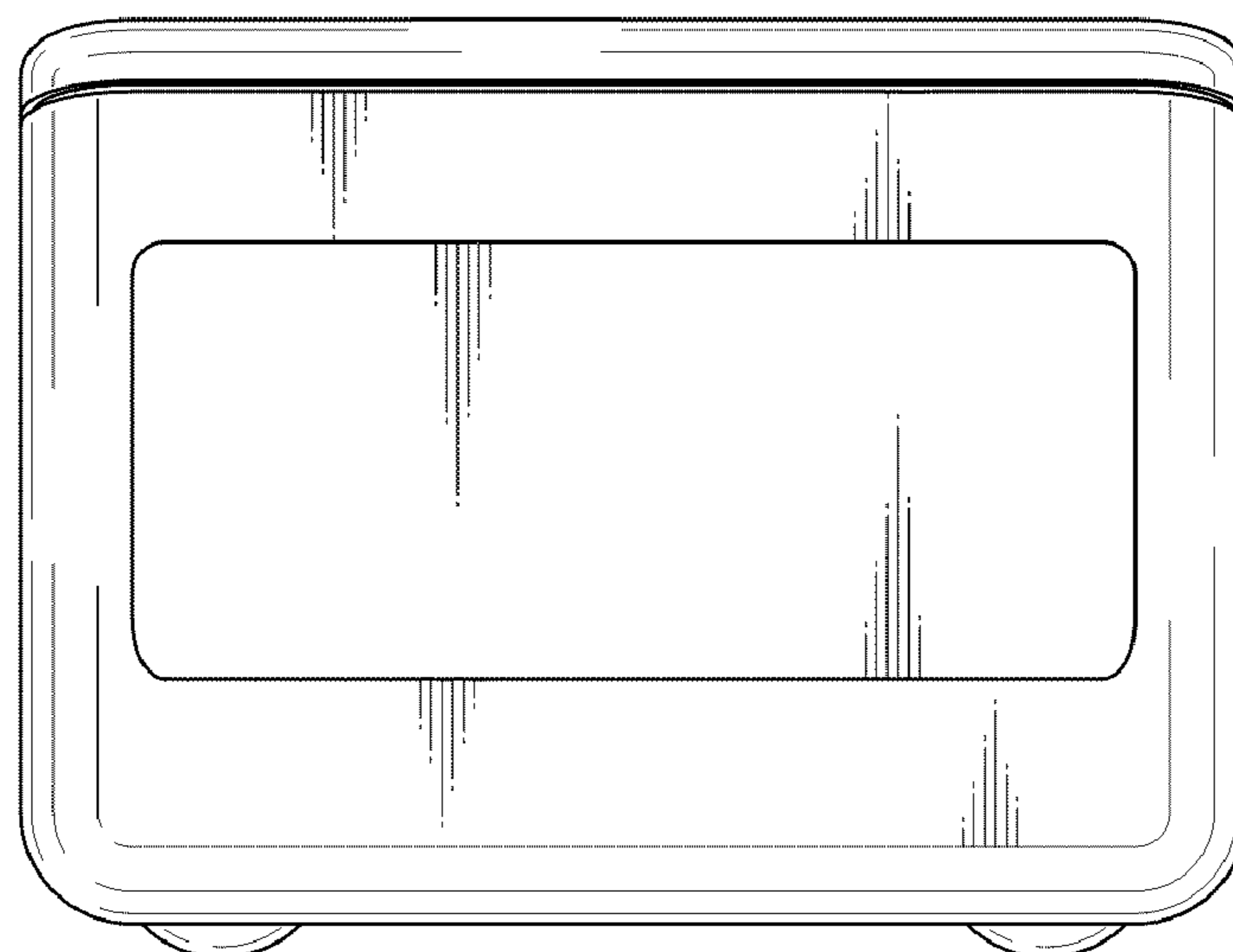


Fig. 5

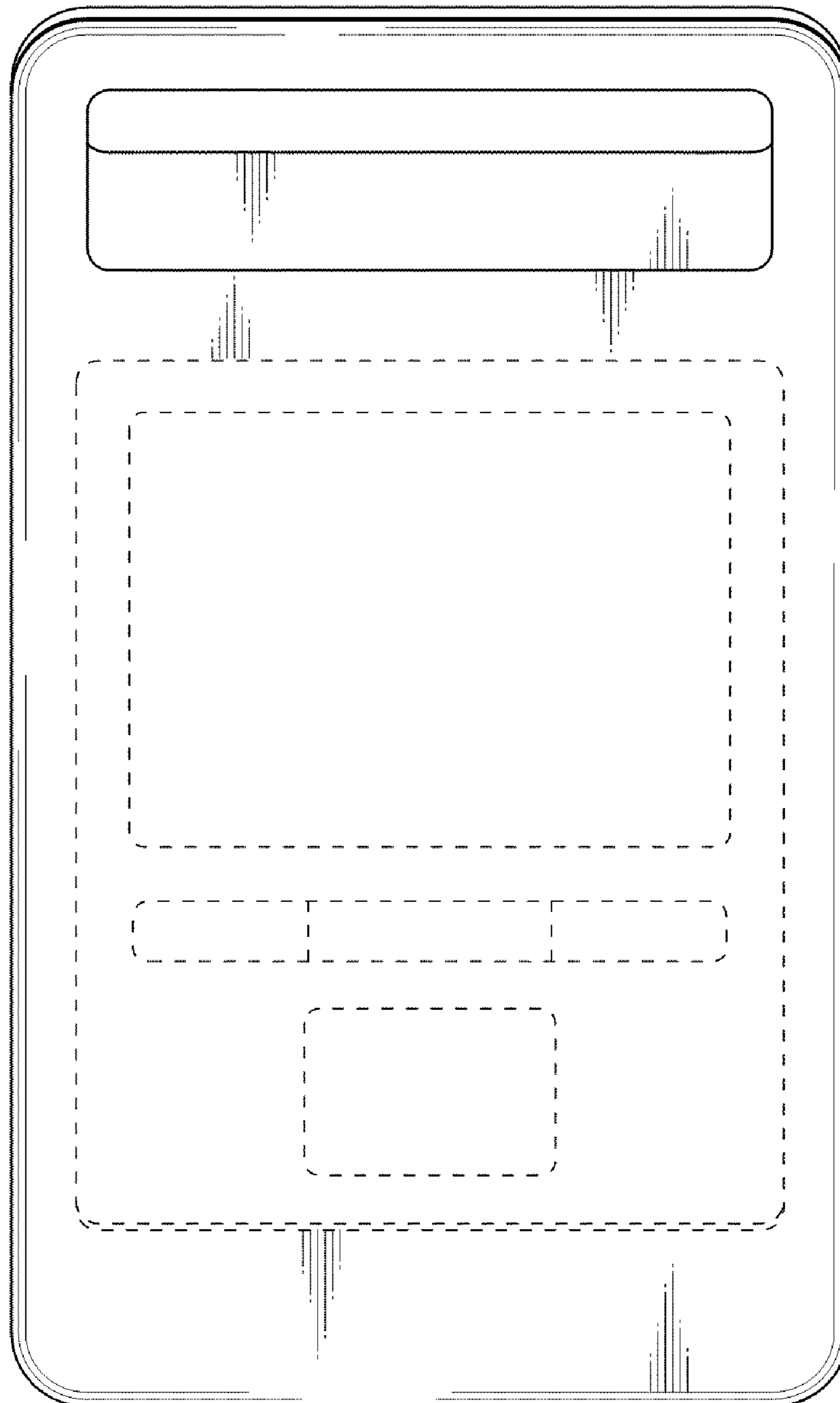


Fig. 6

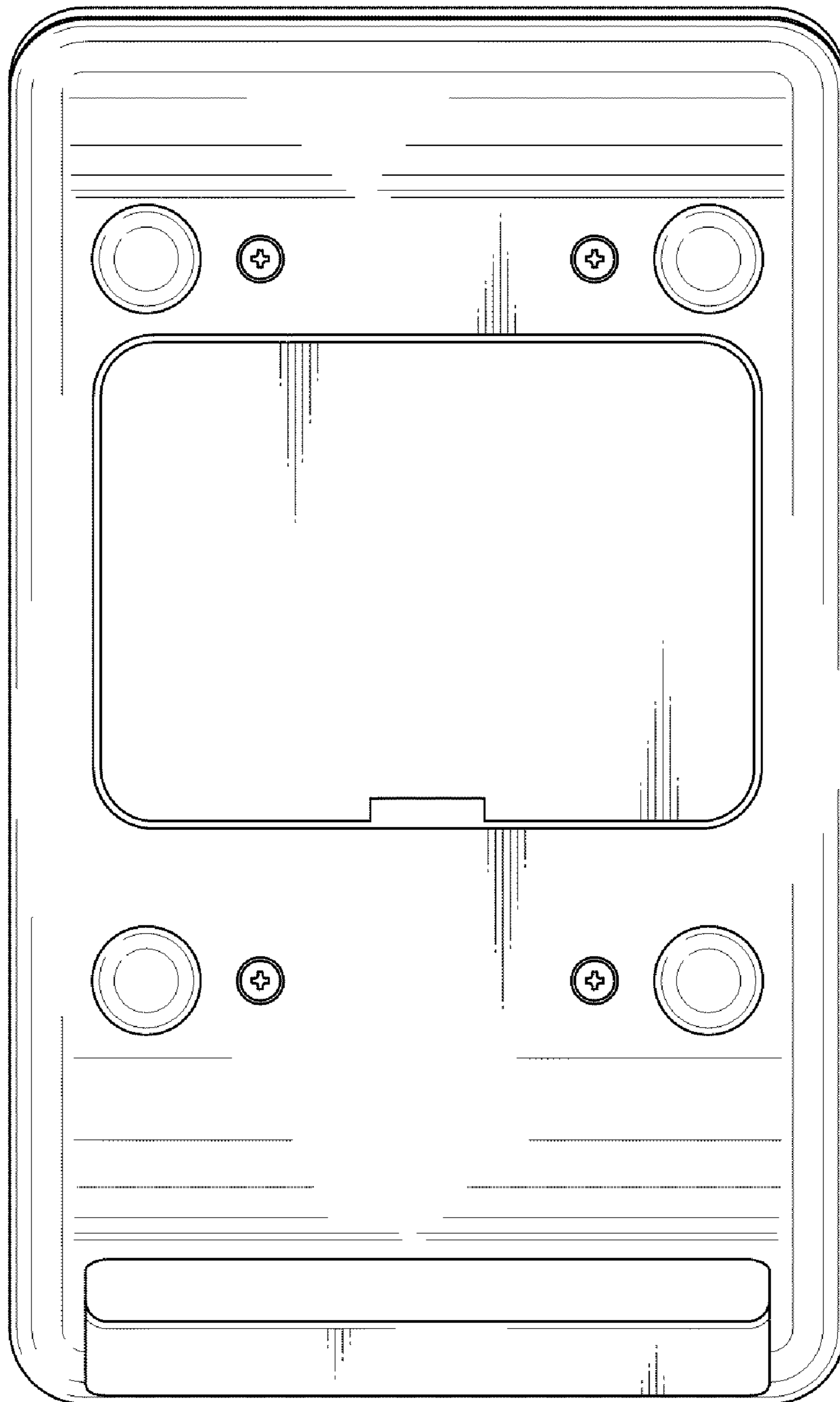


Fig. 7

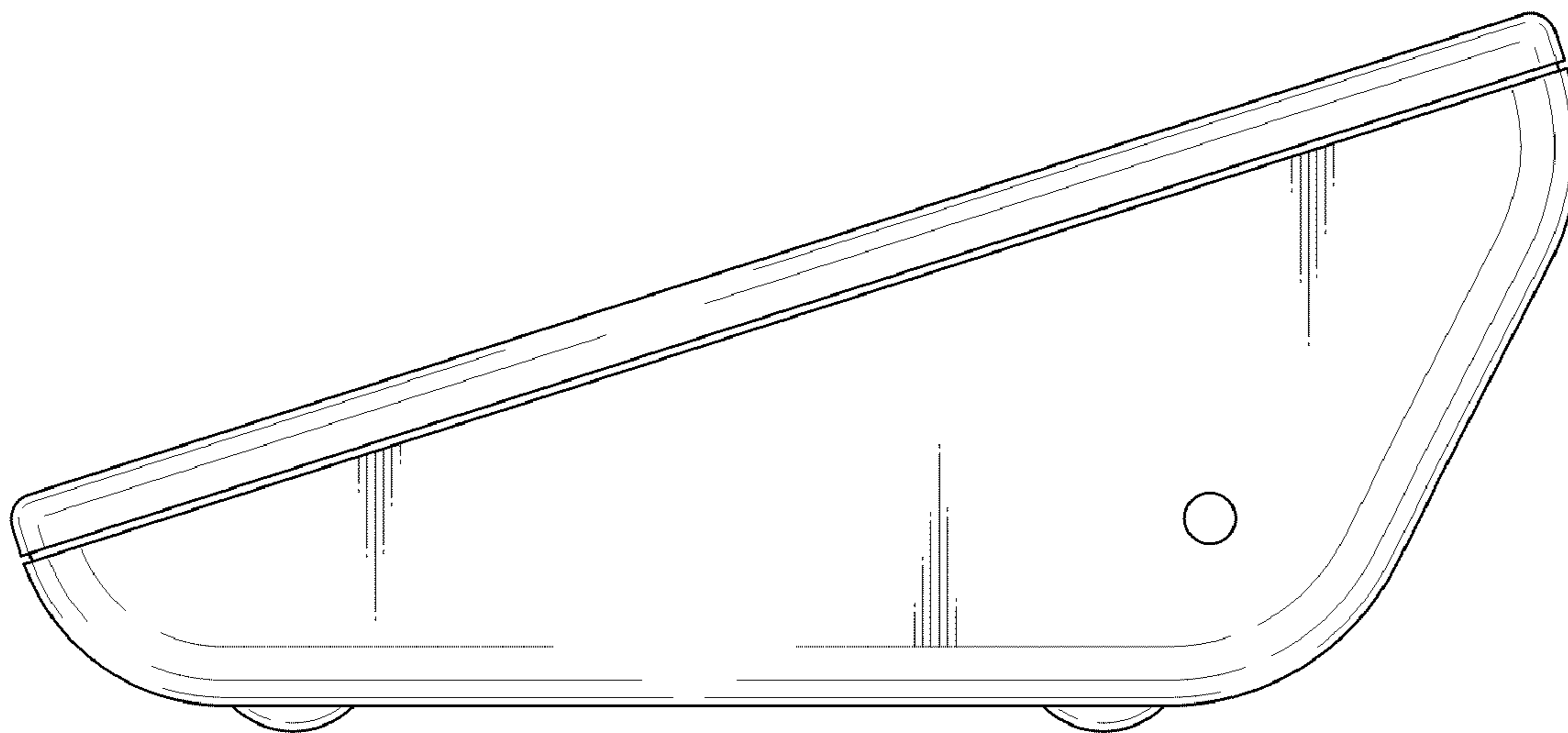


Fig. 8

