



US00D641877S

(12) **United States Design Patent**
Aldecoa

(10) **Patent No.:** **US D641,877 S**

(45) **Date of Patent:** **** Jul. 19, 2011**

(54) **ABUTMENT POST**

(75) Inventor: **Eduardo Anitua Aldecoa**, Vitoria (ES)

(73) Assignee: **Biotechnology Institute, I Mas D, S.L.**, Alava (ES)

(**) Term: **14 Years**

(21) Appl. No.: **29/358,039**

(22) Filed: **Mar. 22, 2010**

(30) **Foreign Application Priority Data**

Sep. 21, 2009 (EM) 001166086
Sep. 21, 2009 (EM) 001166086.0017

(51) **LOC (9) Cl.** **24-03**

(52) **U.S. Cl.** **D24/156**

(58) **Field of Classification Search** D24/155-156,
D24/176, 180; D8/387-388; 606/304, 74;
433/125-126, 172-176

See application file for complete search history.

(56) **References Cited**

U.S. PATENT DOCUMENTS

6,250,922	B1 *	6/2001	Bassett et al.	433/172
D477,877	S *	7/2003	Whitehead	D24/156
D477,878	S *	7/2003	Whitehead	D24/156
D477,879	S *	7/2003	Whitehead	D24/156
D482,450	S *	11/2003	Whitehead	D24/156
6,663,388	B1 *	12/2003	Schar et al.	433/173
6,824,386	B2 *	11/2004	Halldin et al.	433/173
6,951,460	B2 *	10/2005	Halldin et al.	433/173
7,338,286	B2 *	3/2008	Porter et al.	433/173
D582,042	S *	12/2008	Purga et al.	D24/156
D587,371	S *	2/2009	Purga et al.	D24/156
D587,372	S *	2/2009	Purga et al.	D24/156
D587,373	S *	2/2009	Purga et al.	D24/156

7,484,959	B2 *	2/2009	Porter et al.	433/173
2008/0227058	A1 *	9/2008	Karmon	433/174
2010/0184004	A1 *	7/2010	Fromovich	433/174

FOREIGN PATENT DOCUMENTS

EM	000631601-0002	*	1/2007
JP	D1365373	*	7/2009

OTHER PUBLICATIONS

Google Image Result for http://www.neoss-com/images/page-section-images/express_jpb. 1 page. Views Feb. 15, 2011.*

* cited by examiner

Primary Examiner — Ian Simmons

Assistant Examiner — Wan Laymon

(74) *Attorney, Agent, or Firm* — Browdy and Neimark, PLLC

(57) **CLAIM**

The ornamental design for an abutment post, as shown and described.

DESCRIPTION

FIG. 1 is a top perspective view of the abutment according to the claimed design;

FIG. 2 is a bottom perspective view of the abutment according to the claimed design;

FIG. 3 is a front view of the abutment according to the claimed design;

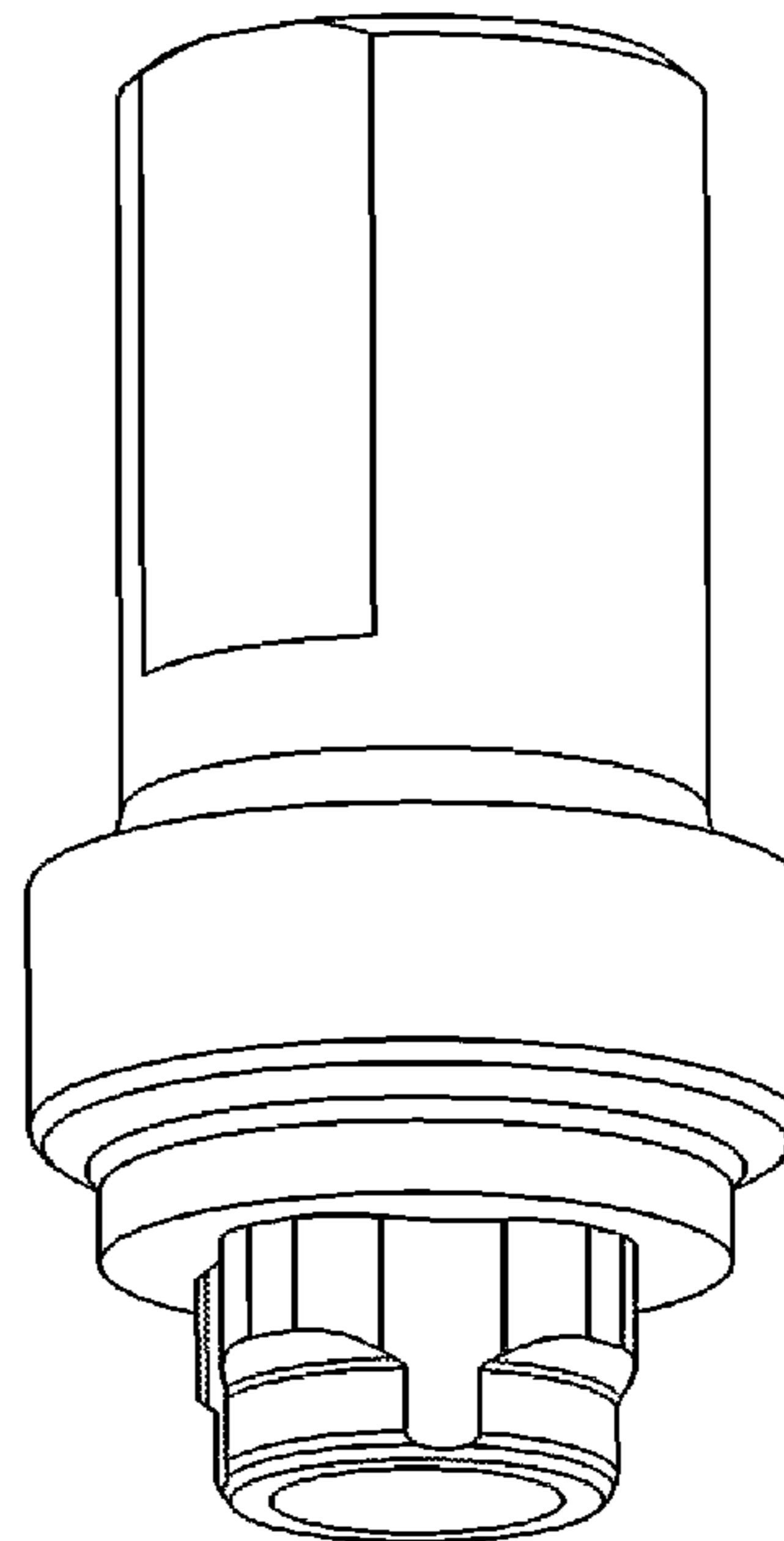
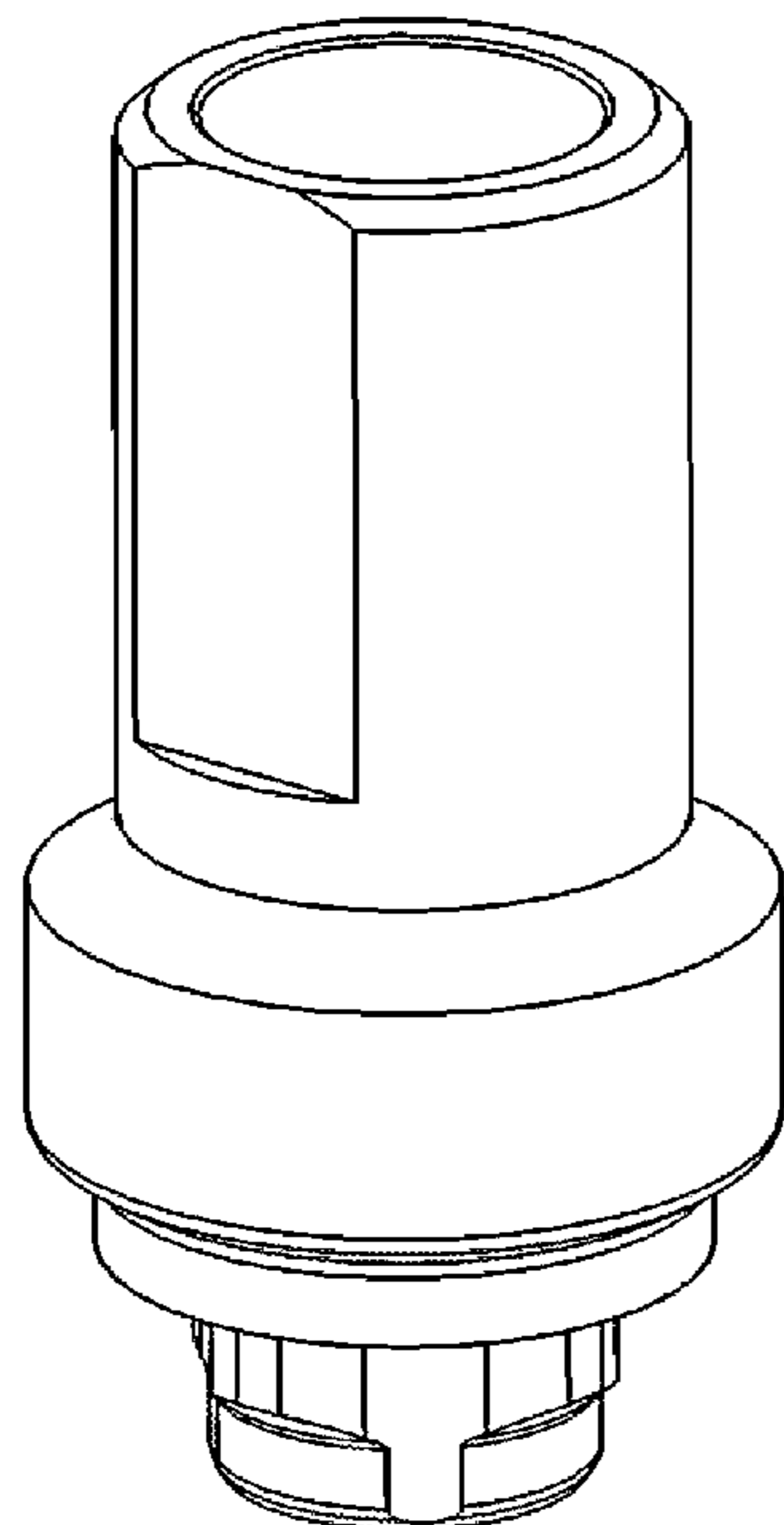
FIG. 4 is a rear view of the abutment according to the claimed design;

FIG. 5 is an enlarged top view of the abutment according to the claimed design;

FIG. 6 is an enlarged bottom view of the abutment according to the claimed design; and,

FIG. 7 is a side view of the abutment according to the claimed design.

1 Claim, 7 Drawing Sheets



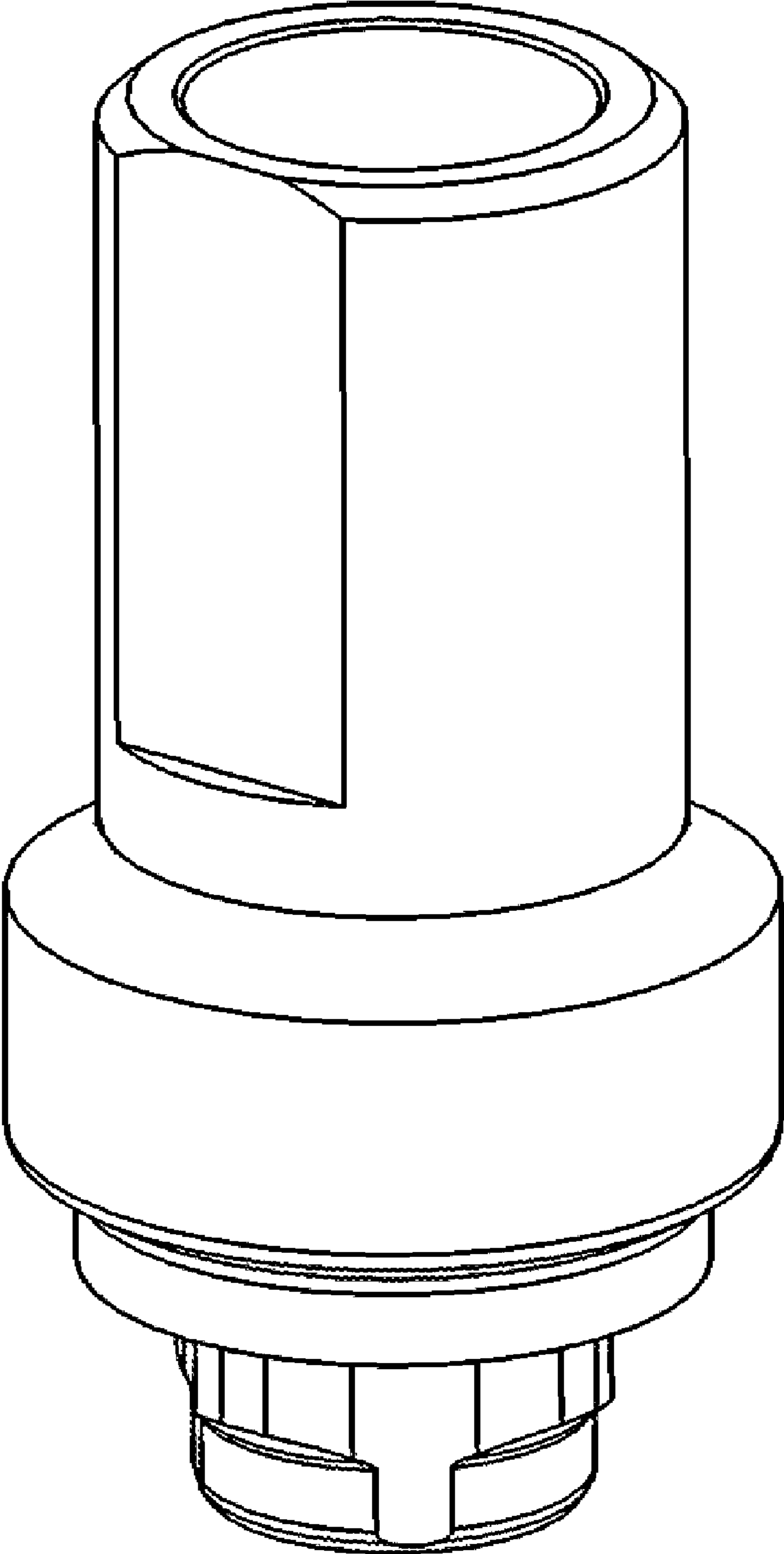


FIG. 1

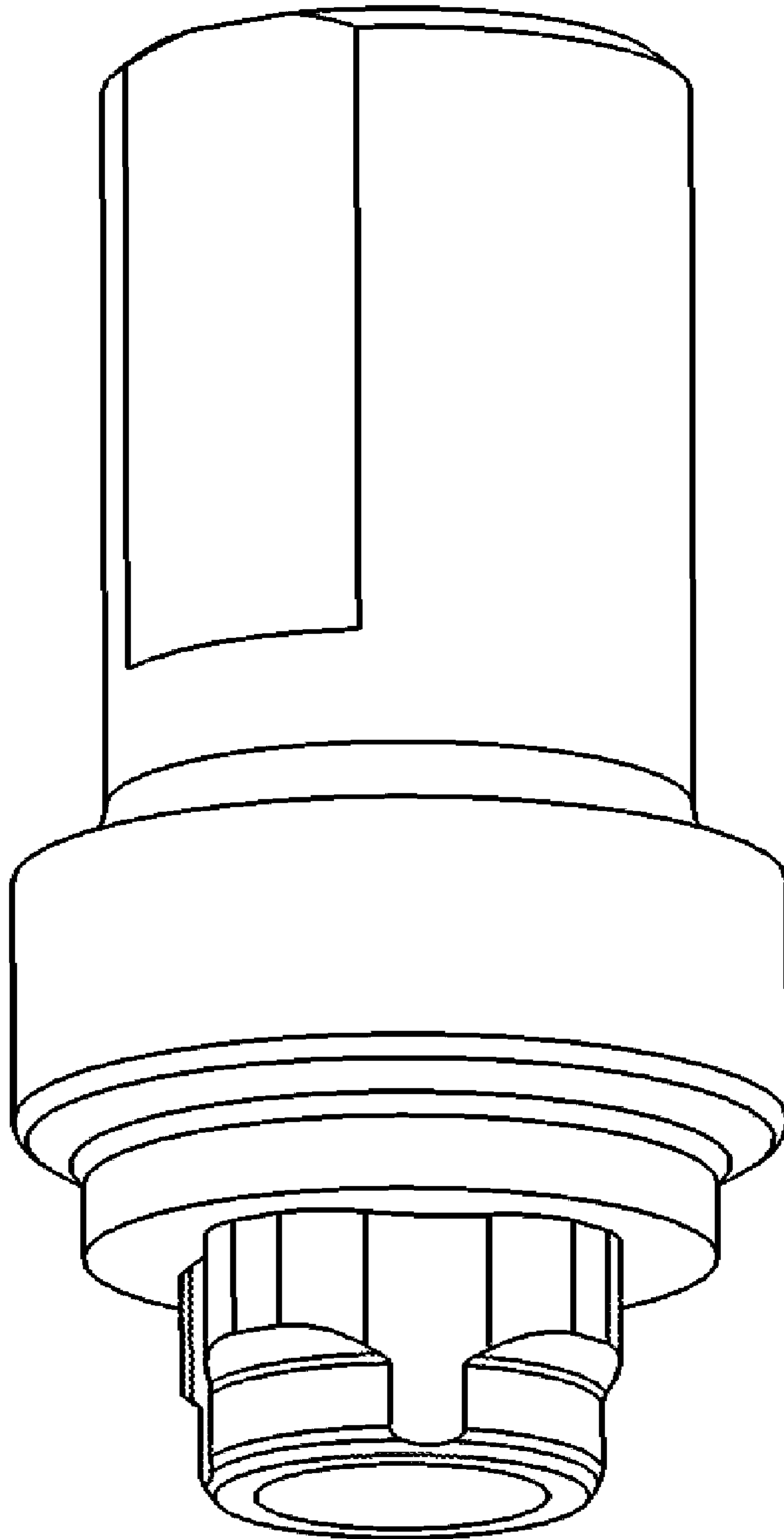


FIG. 2

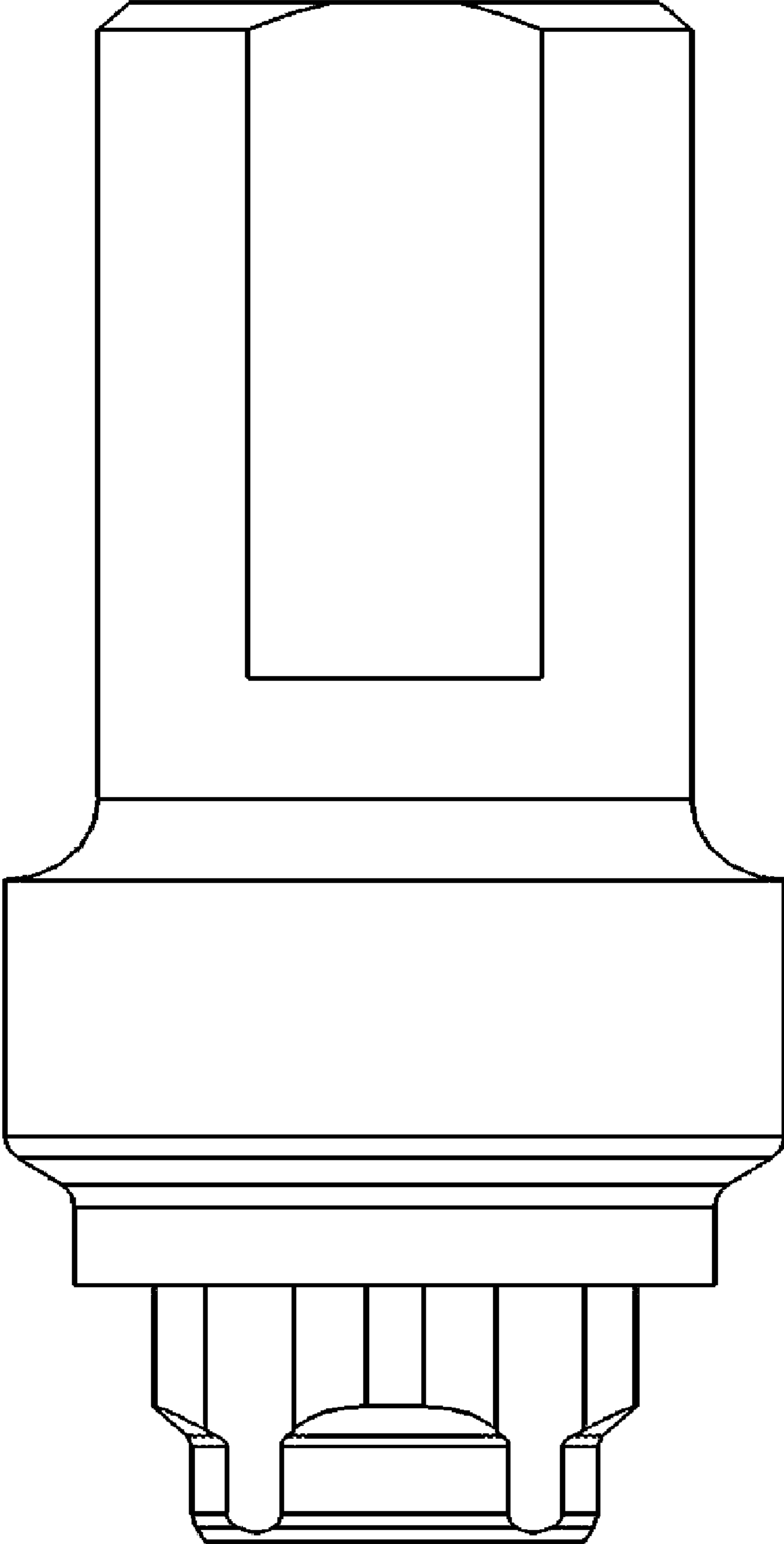


FIG. 3

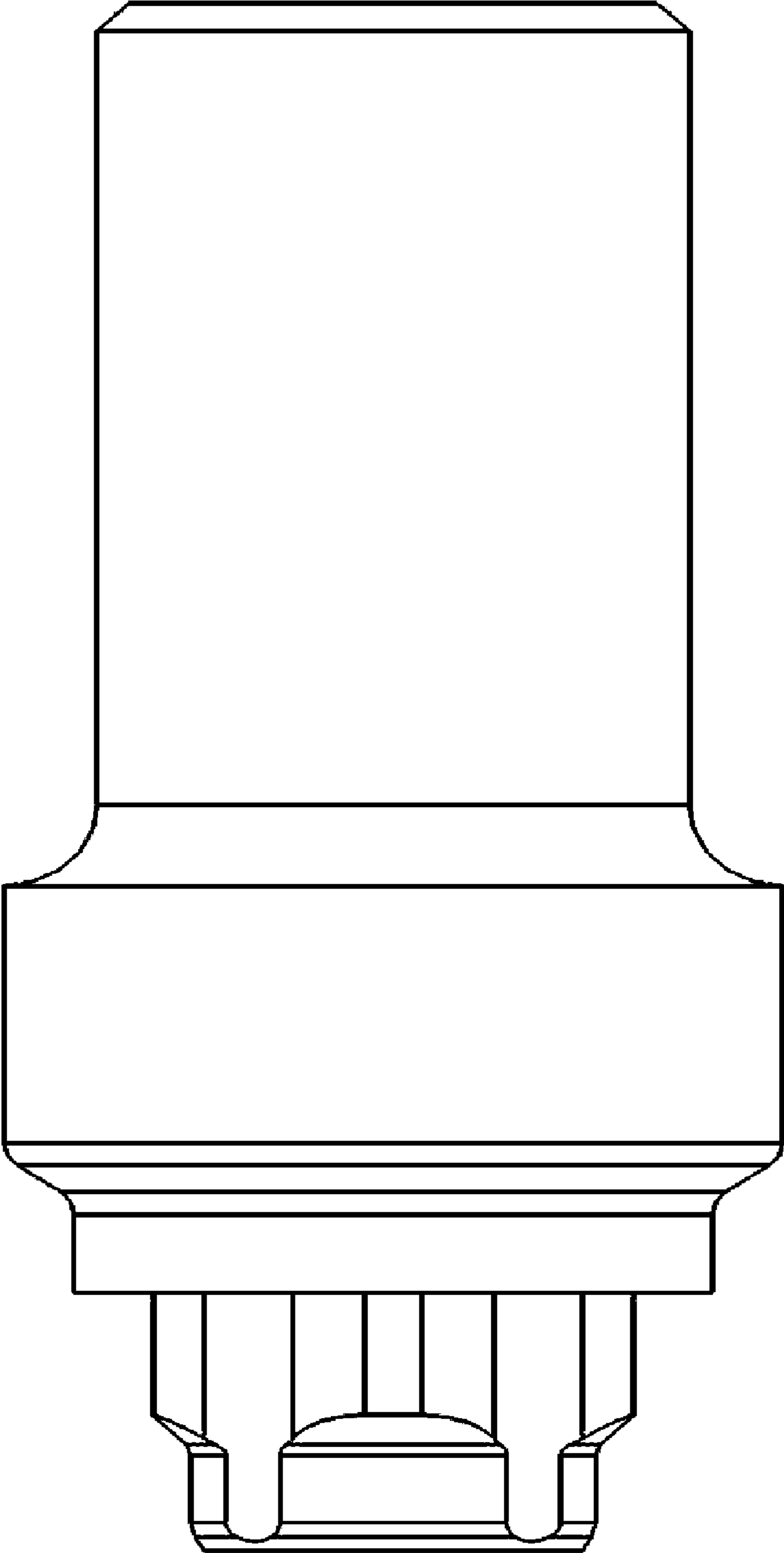


FIG. 4

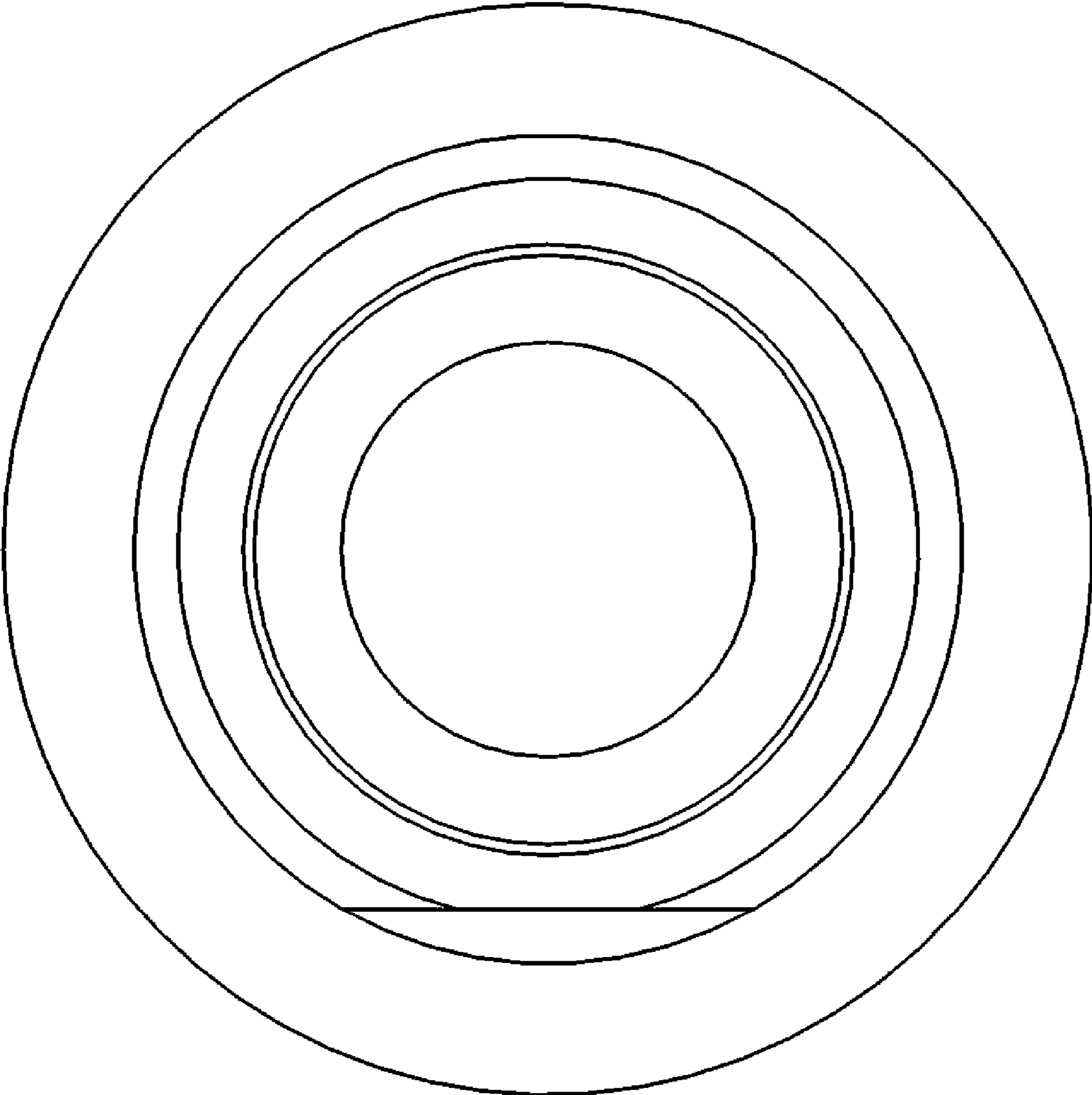


FIG. 5

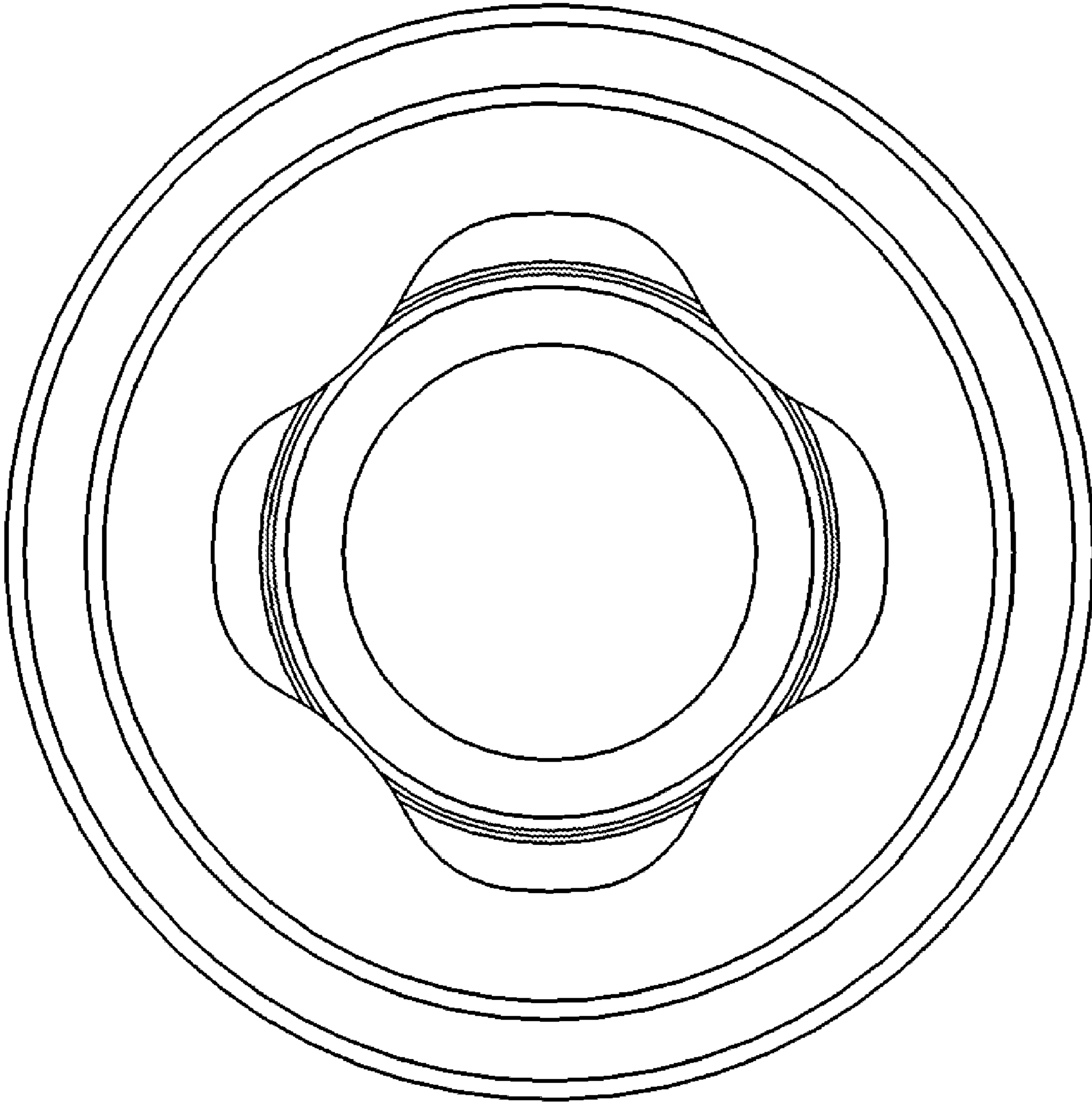


FIG. 6

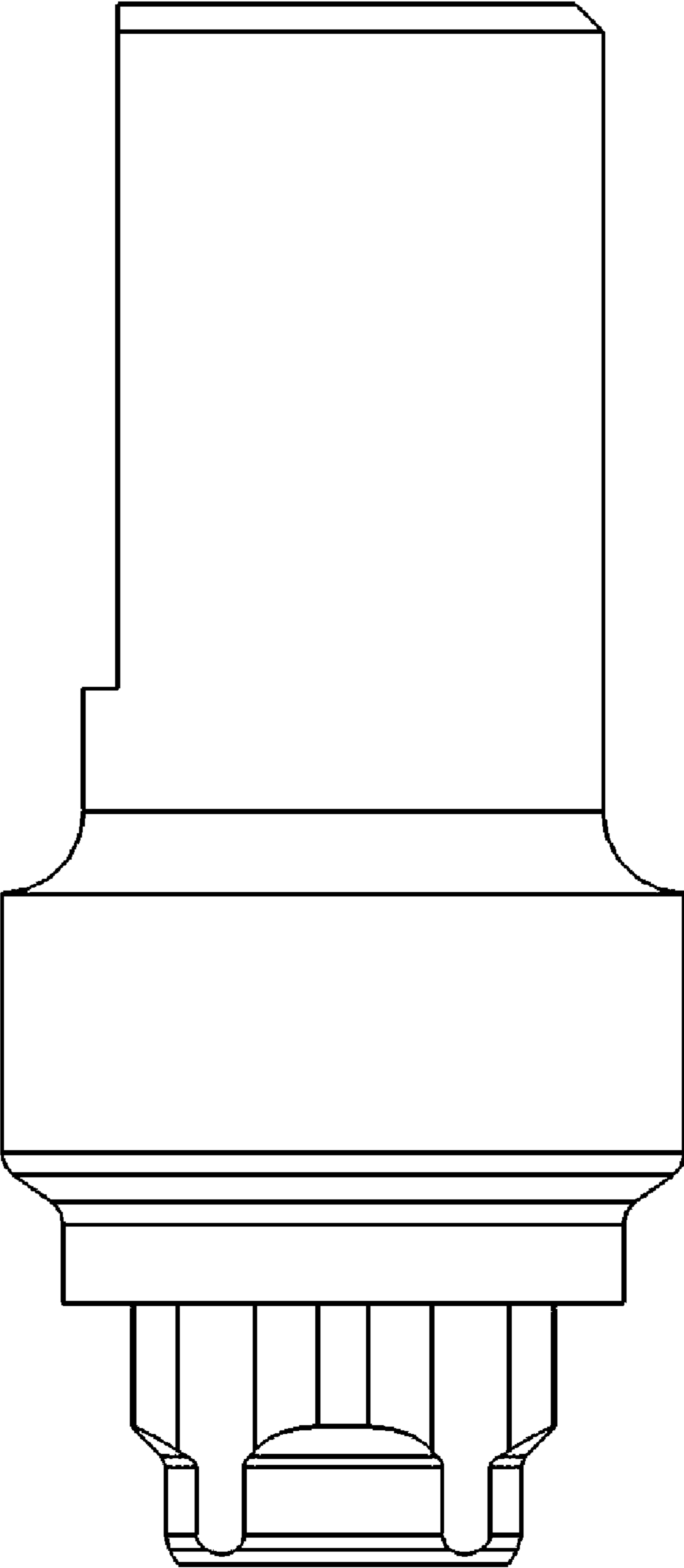


FIG. 7