

US00D641871S

(12) **United States Design Patent**
Tenger et al.

(10) **Patent No.:** **US D641,871 S**
(45) **Date of Patent:** **** Jul. 19, 2011**

(54) **LARYNGOSCOPE HANDLE**

(75) Inventors: **James P. Tenger**, Carlsbad, CA (US);
Leslie A. Tenger, Carlsbad, CA (US);
John R. Hicks, Carlsbad, CA (US)

(73) Assignee: **Intrubrite, LLC**, Vista, CA (US)

(**) Term: **14 Years**

(21) Appl. No.: **29/379,756**

(22) Filed: **Nov. 23, 2010**

Related U.S. Application Data

(63) Continuation of application No. 29/346,594, filed on Nov. 3, 2009, now Pat. No. Des. 632,787.

(51) **LOC (9) Cl.** **24-02**

(52) **U.S. Cl.** **D24/133**

(58) **Field of Classification Search** D24/133,
D24/135, 136, 137, 138; 600/185–199, 184,
600/200; 606/196, 191–195, 197–200

See application file for complete search history.

(56) **References Cited**

U.S. PATENT DOCUMENTS

D185,398 S	6/1959	Todt
D271,135 S	10/1983	Greenblatt
D297,363 S	8/1988	Salerno et al.
4,782,819 A	11/1988	Adair
4,827,910 A	5/1989	Matthews, III
D337,384 S	7/1993	Schucman
D449,499 S	10/2001	Voges
6,459,919 B1	10/2002	Lys et al.
6,569,089 B1	5/2003	Covington et al.
D491,267 S	6/2004	Ashraf
6,809,499 B2	10/2004	Solingen
6,876,446 B2	4/2005	Taylor et al.
D512,778 S	12/2005	Ashraf
7,052,456 B2	5/2006	Simon
D541,937 S	5/2007	Yee
D547,449 S	7/2007	Ashraf

D550,841 S	9/2007	Berci et al.
D554,255 S	10/2007	Iqbal
7,308,296 B2	12/2007	Lys et al.
D559,982 S	1/2008	Iqbal

(Continued)

FOREIGN PATENT DOCUMENTS

KR 1020070044379 4/2007

(Continued)

OTHER PUBLICATIONS

International Search Report and Written Opinion for PCT/US08/074878 dated Mar. 19, 2009.

(Continued)

Primary Examiner — Bridget L Eland

(74) *Attorney, Agent, or Firm* — Stephen C. Beuerle;
Procopio Cory Hargreaves & Savitch LLP

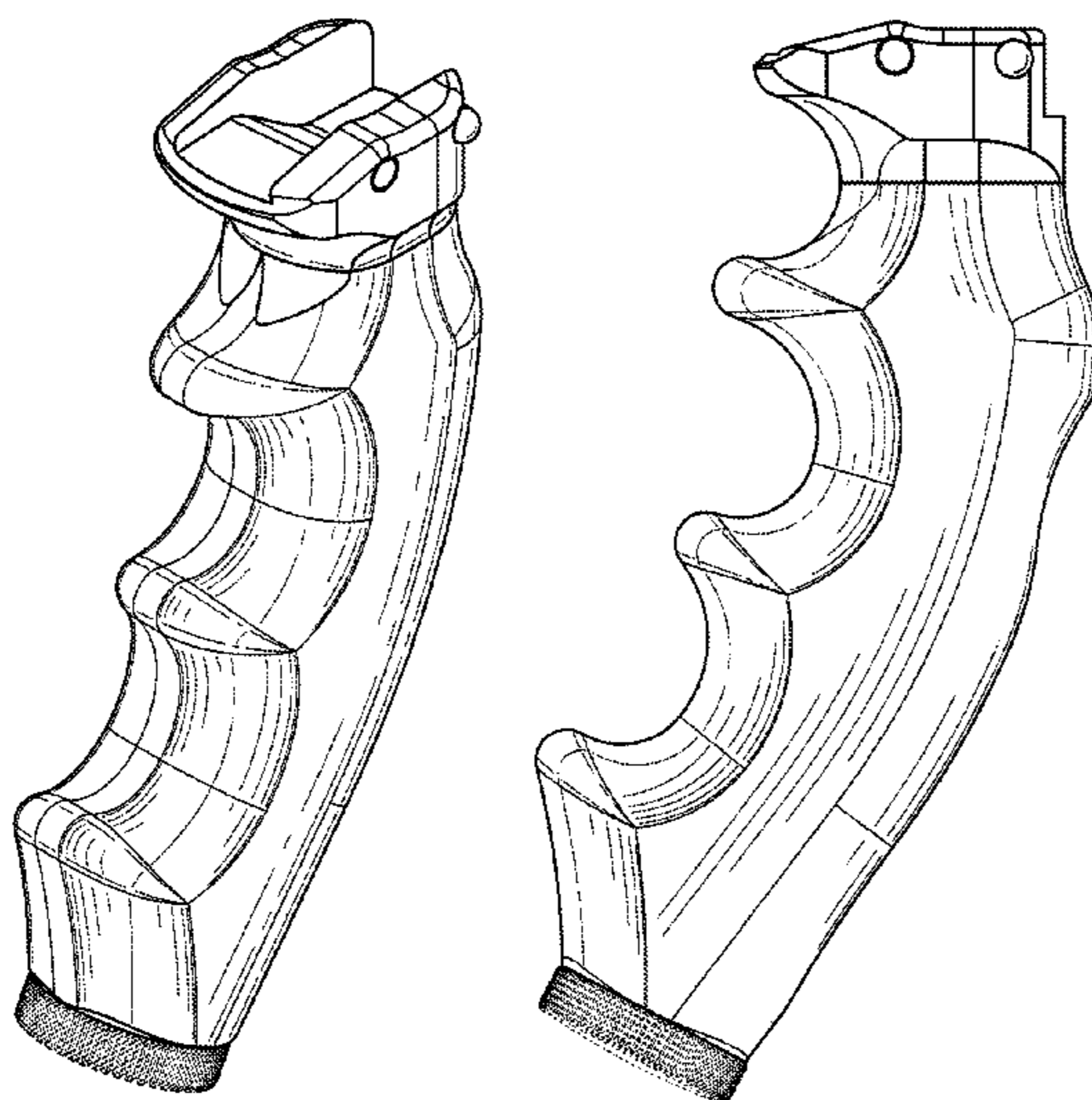
(57) **CLAIM**

The ornamental design for a laryngoscope handle, as shown and described.

DESCRIPTION

FIG. 1 is a perspective view of the laryngoscope handle. FIG. 2 is a left side elevational view of the laryngoscope handle. FIG. 3 is a right side elevational view of the laryngoscope handle. FIG. 4 is a rear elevational view of the laryngoscope handle. FIG. 5 is a front elevational view of the laryngoscope handle. FIG. 6 is a top plan view of the laryngoscope handle; and, FIG. 7 is a bottom plan view of the laryngoscope handle. The broken lines immediately adjacent the claimed areas represent the bounds of the claimed design while all other broken lines are directed to environment and are for illustrative purposes only; the broken lines form no part of the claimed design.

1 Claim, 5 Drawing Sheets



US D641,871 S

Page 2

U.S. PATENT DOCUMENTS

D581,532 S 11/2008 Cranton et al.
D608,889 S * 1/2010 Tenger et al. D24/137
D611,598 S * 3/2010 Tenger et al. D24/133
D632,787 S * 2/2011 Tenger et al. D24/133
2003/0191459 A1 10/2003 Ganz et al.
2003/0195390 A1 10/2003 Graumann
2006/0069314 A1 3/2006 Farr
2007/0156022 A1 7/2007 Patel
2007/0276185 A1 11/2007 Gono et al.
2007/0276191 A1 11/2007 Selover et al.

2008/0015560 A1 1/2008 Gowda et al.
2008/0045800 A2 2/2008 Farr
2009/0318768 A1* 12/2009 Tenger et al. 600/194

FOREIGN PATENT DOCUMENTS

WO WO93/01170 6/1993

OTHER PUBLICATIONS

International Search Report and Written Opinion for PCT/US2010/
023194 dated Oct. 5, 2010.

* cited by examiner

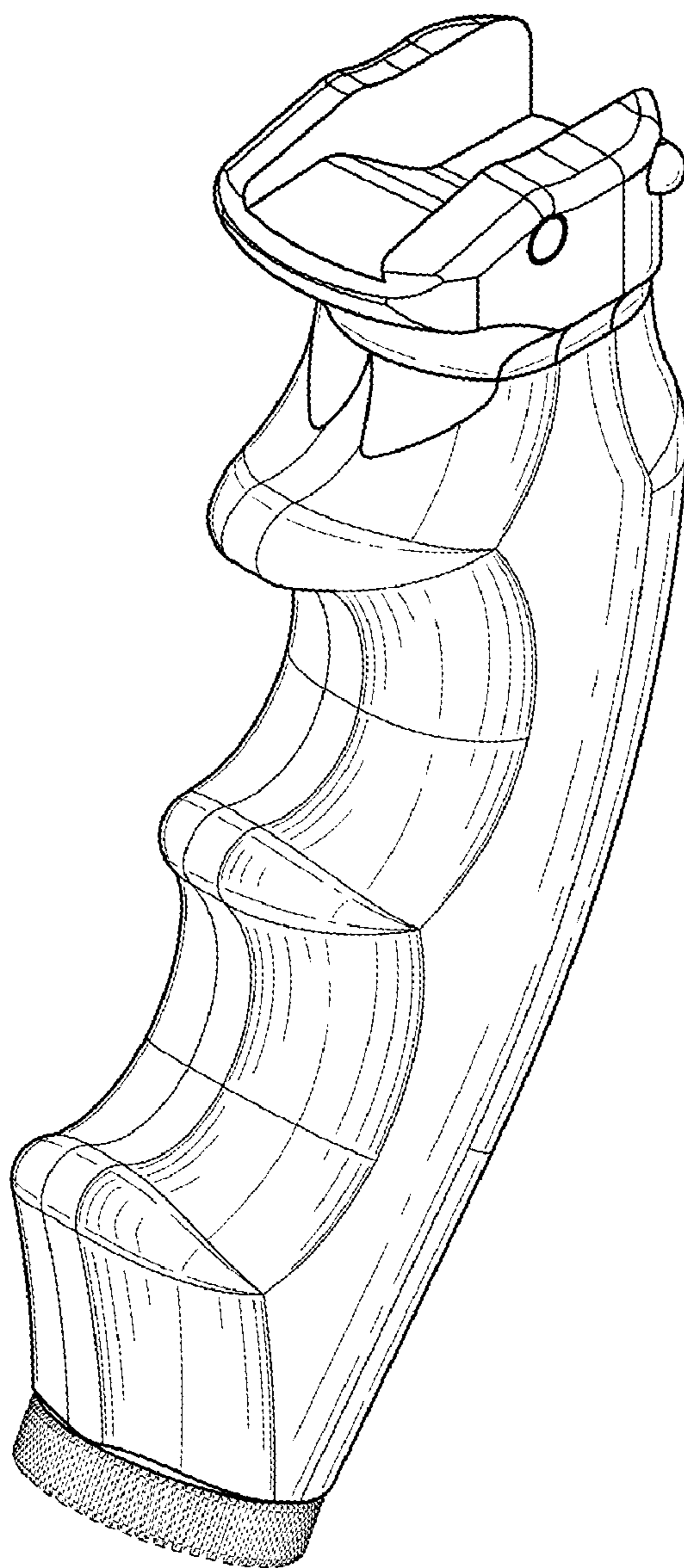


FIG. 1

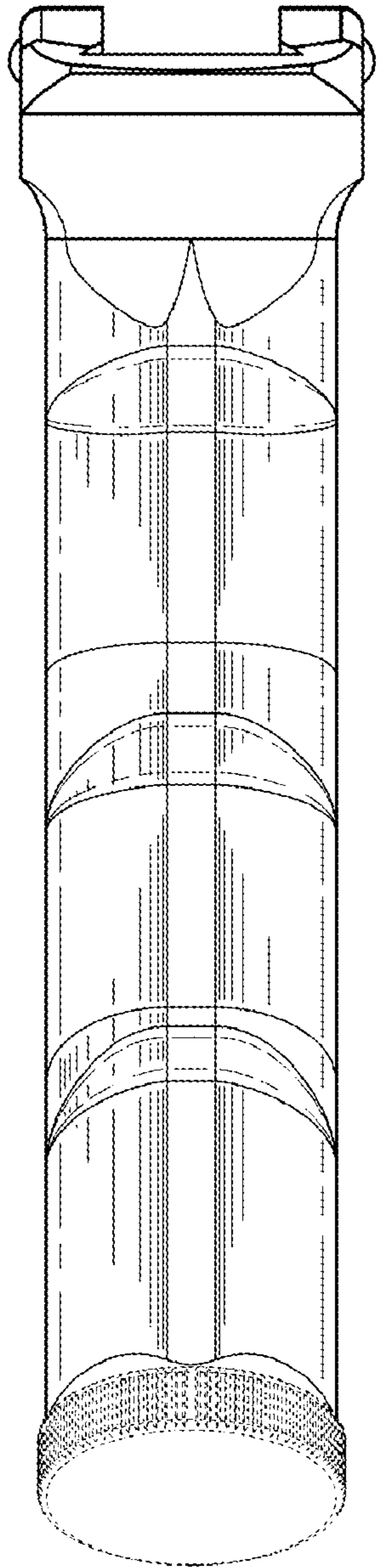


FIG. 2

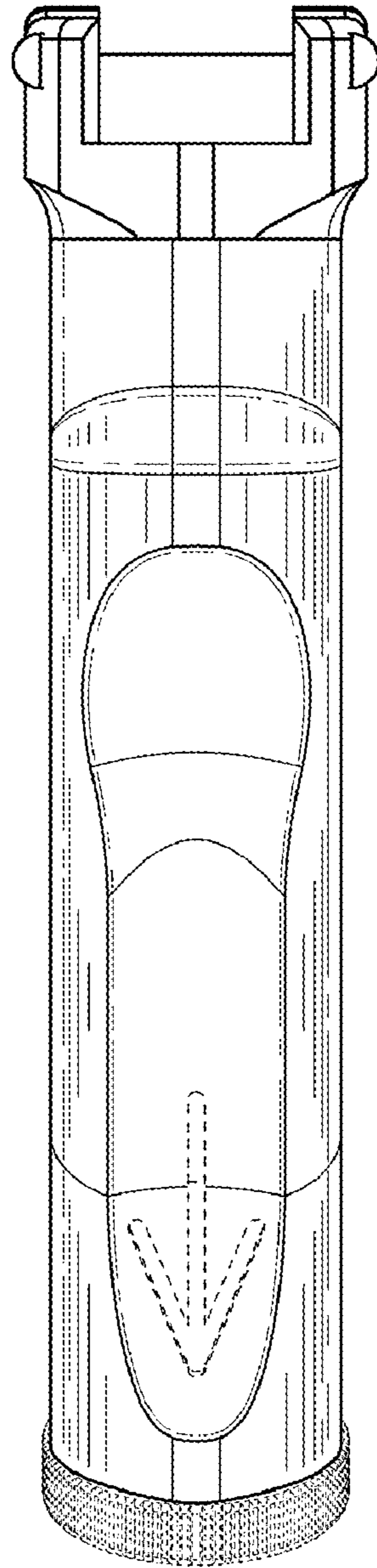


FIG. 3

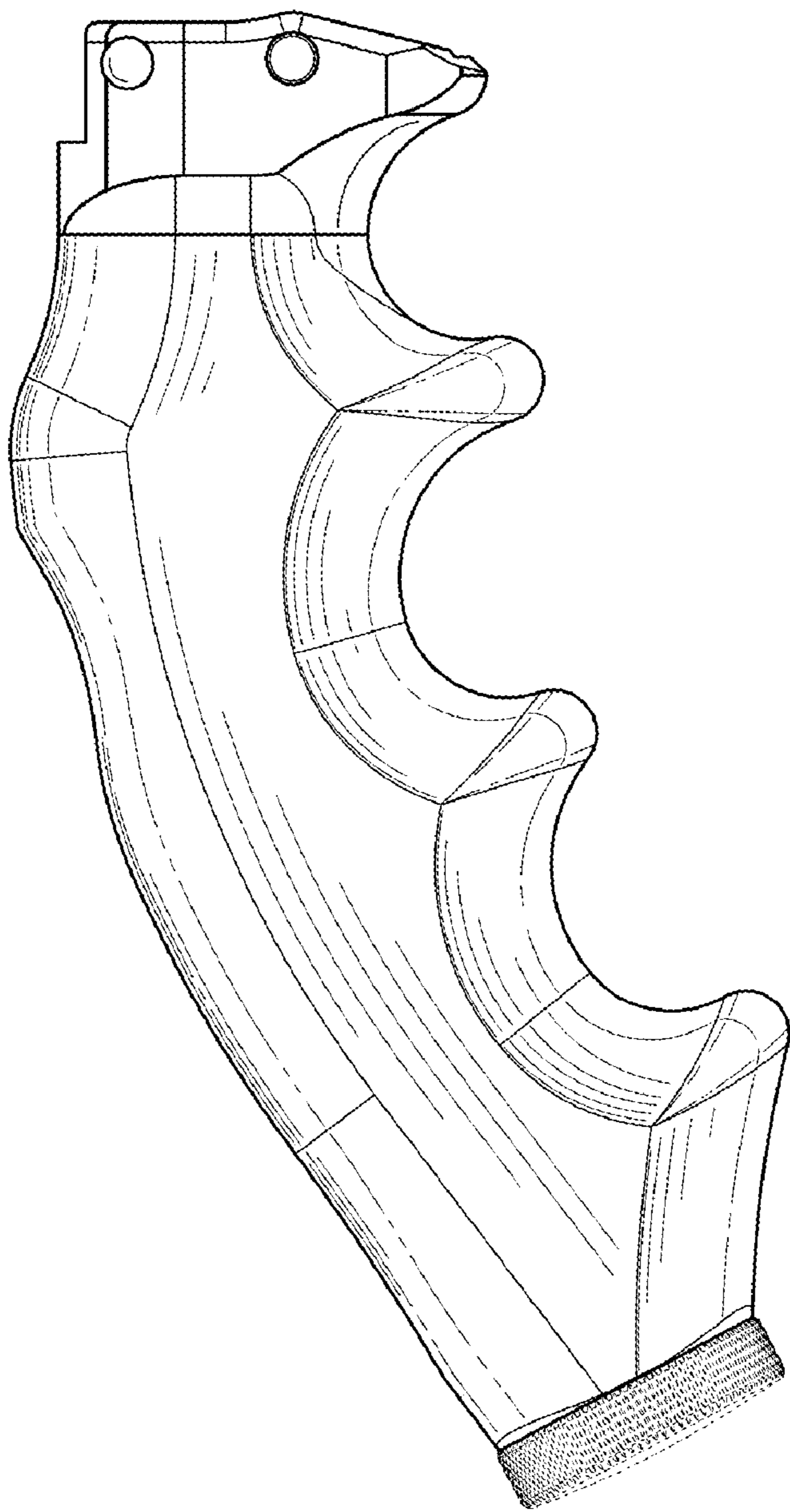


FIG. 4

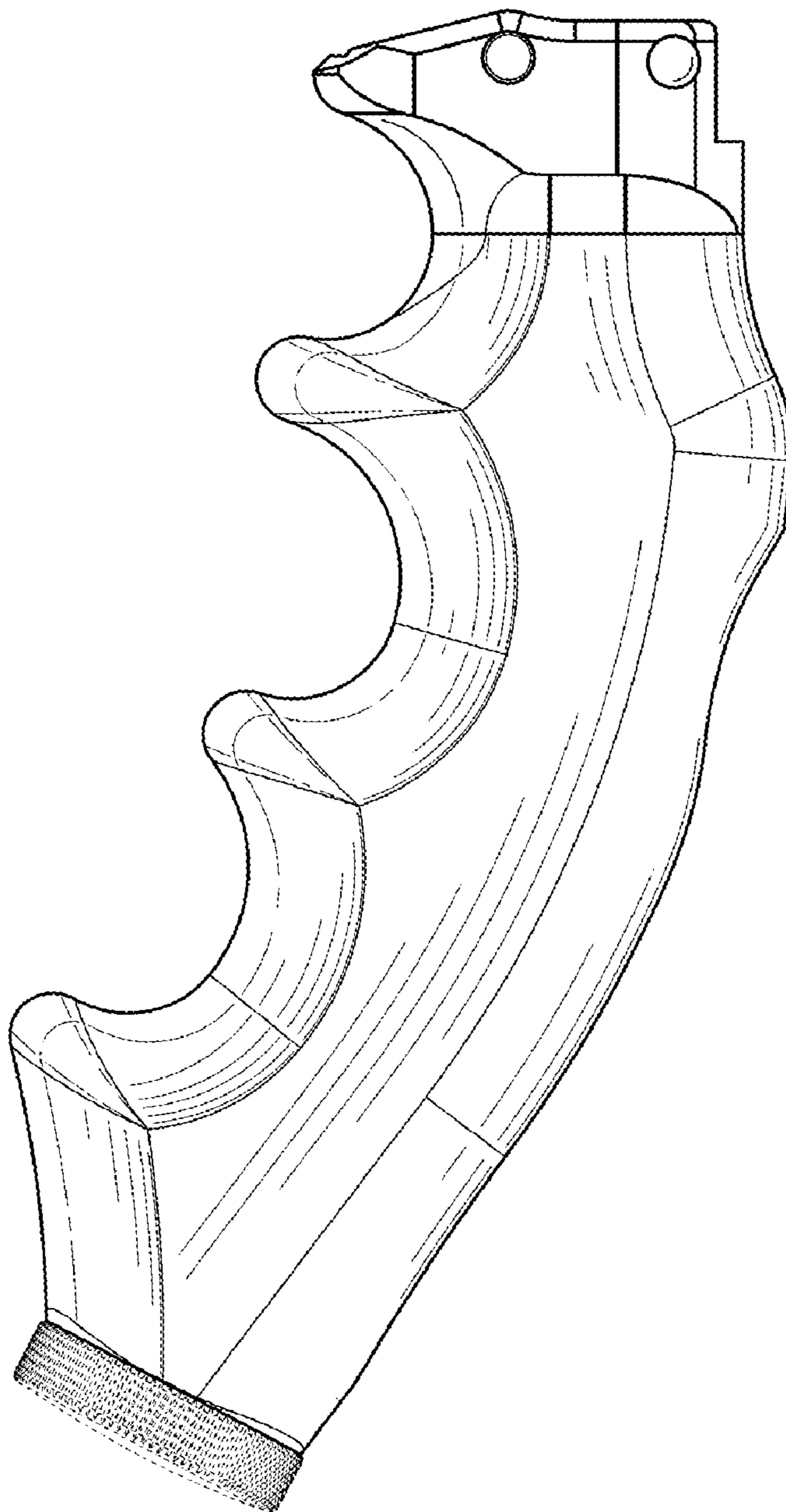


FIG. 5

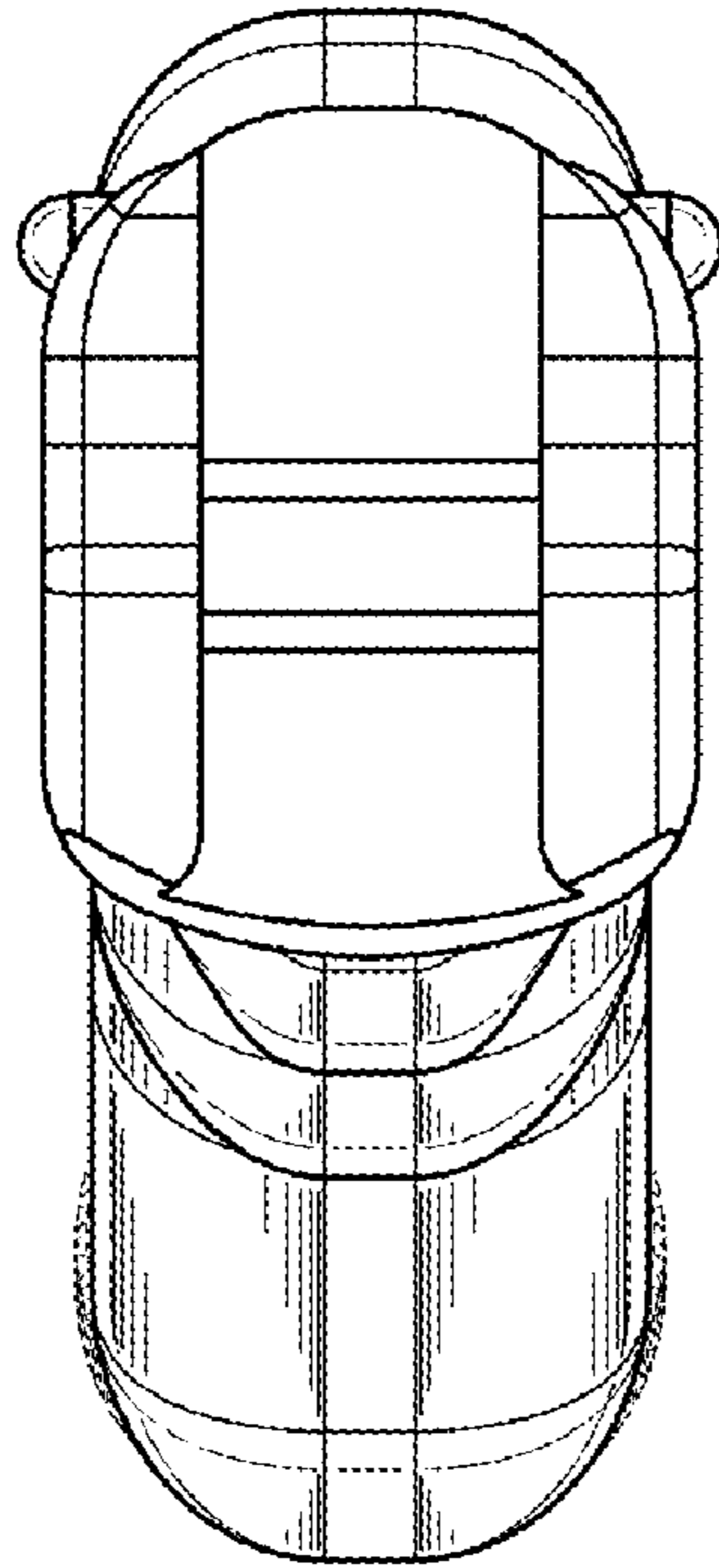


FIG. 6

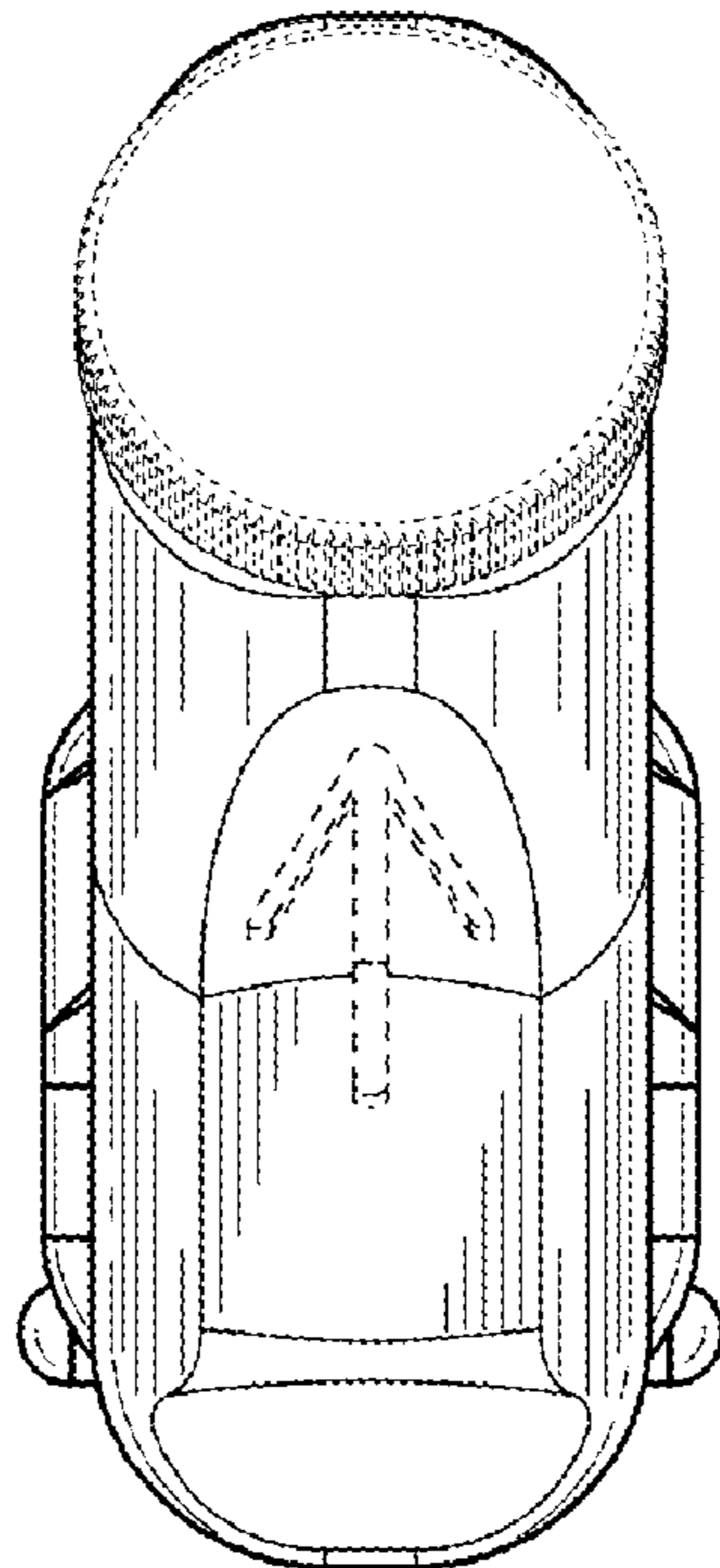


FIG. 7