



US00D641869S

(12) **United States Design Patent**
Schultz

(10) **Patent No.:** **US D641,869 S**

(45) **Date of Patent:** **** Jul. 19, 2011**

(54) **STREP SHIELD**

(76) Inventor: **Joseph P. Schultz**, Atlanta, GA (US)

(**) Term: **14 Years**

(21) Appl. No.: **29/376,377**

(22) Filed: **Oct. 6, 2010**

(51) **LOC (9) Cl.** **24-02**

(52) **U.S. Cl.** **D24/133; D24/142**

(58) **Field of Classification Search** D24/133,
D24/136, 110.2, 142, 232; D28/9; D29/110;
128/846, 857, 859-861, 863, 888; 600/119;
132/212

See application file for complete search history.

(56) **References Cited**

U.S. PATENT DOCUMENTS

3,060,445	A *	10/1962	Brockman	2/9
D225,910	S *	1/1973	Kurianski	D28/9
3,963,034	A *	6/1976	Runberg et al.	132/212
D247,449	S *	3/1978	Hannon	D28/9
D248,674	S *	7/1978	Hannon	D28/9
D268,877	S *	5/1983	Loewenstine	D28/9
4,396,027	A *	8/1983	Loewenstine	132/212
D297,765	S *	9/1988	Conlon	D24/232
D297,766	S *	9/1988	Conlon	D24/232
4,837,861	A *	6/1989	Cole	2/9
4,843,643	A *	7/1989	Parissenti et al.	2/13
4,981,086	A *	1/1991	Barca et al.	109/49.5
D327,141	S *	6/1992	Hubbard et al.	D24/110.2
5,349,967	A *	9/1994	Tennis et al.	128/888
D355,714	S *	2/1995	Hubbard et al.	D24/110.2
D384,775	S *	10/1997	Locke	D29/108
D385,664	S *	10/1997	King	D29/108

D396,109	S *	7/1998	Piche et al.	D24/152
D454,976	S *	3/2002	Recupido	D28/9
D464,170	S *	10/2002	Davidson	D28/9
D485,944	S *	1/2004	Grant	D28/9
D533,316	S *	12/2006	Canavan et al.	D29/122
D632,390	S *	2/2011	Haberstroh	D24/136
2002/0108614	A1 *	8/2002	Schultz	128/207.14

* cited by examiner

Primary Examiner — Bridget L Eland

(74) *Attorney, Agent, or Firm* — Stoneman Law Patent Group; Martin L. Stoneman

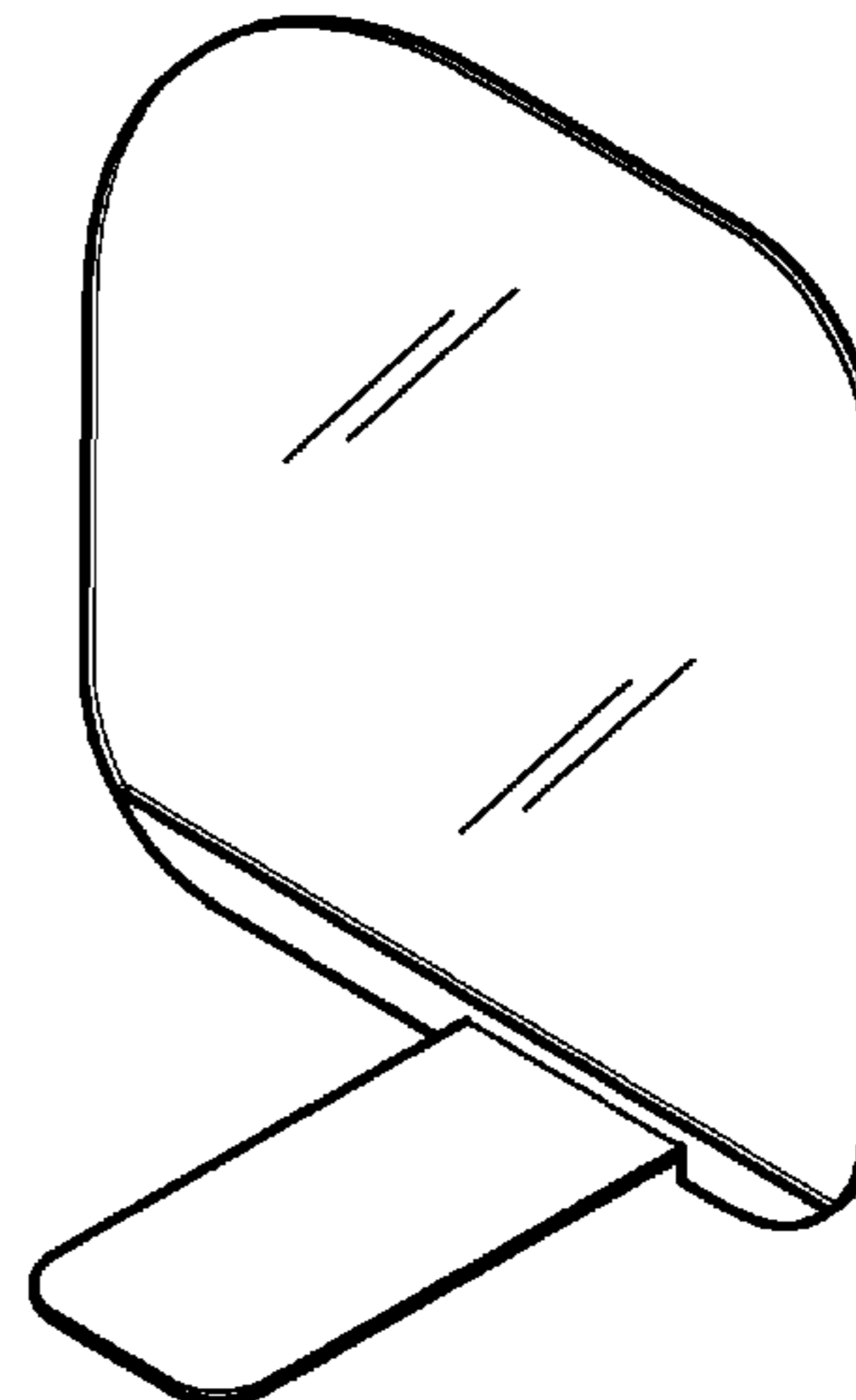
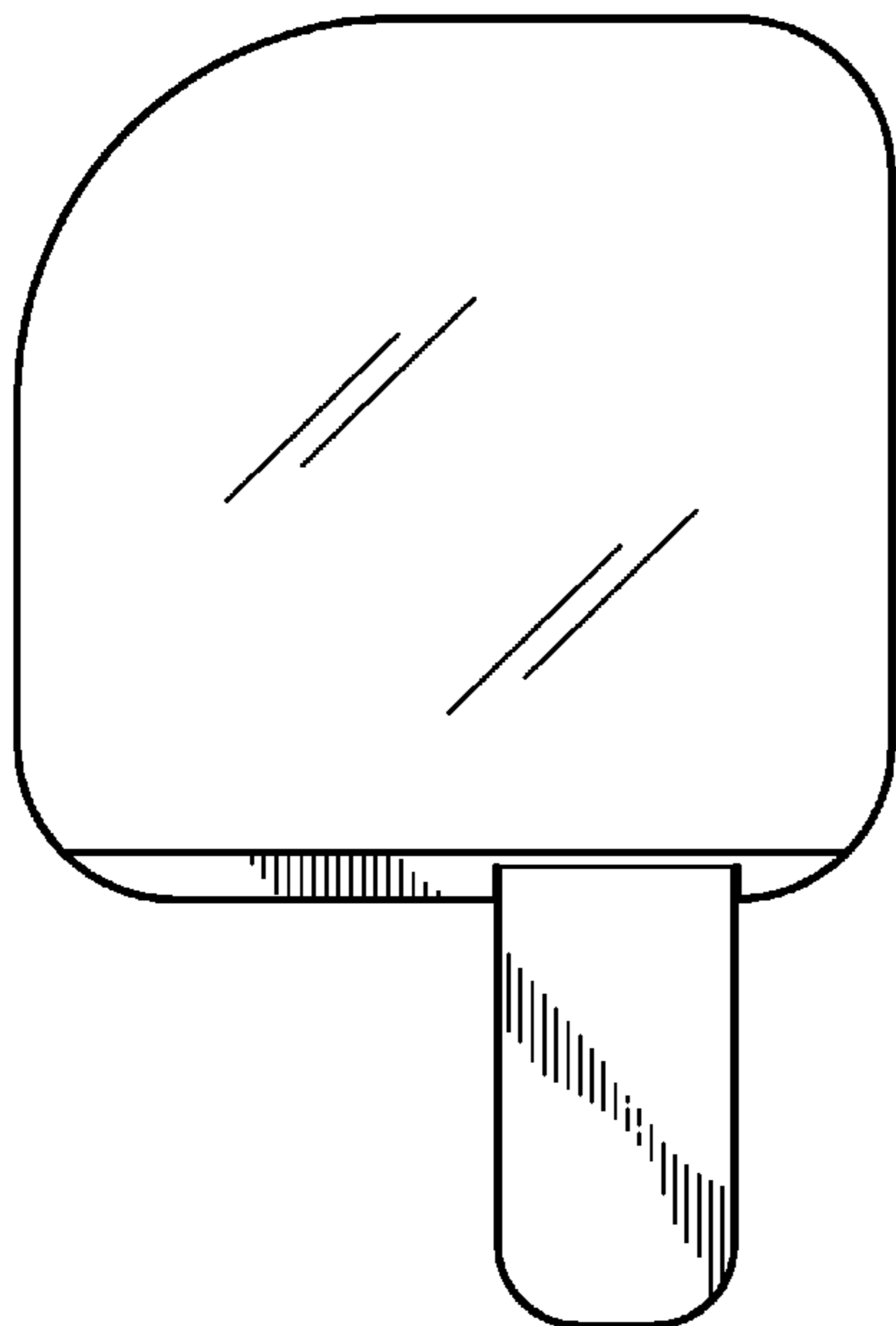
(57) **CLAIM**

The ornamental design for a strep shield, as shown and described.

DESCRIPTION

FIG. 1 is a perspective view of a strep shield showing my new design;
 FIG. 2 is a front view thereof;
 FIG. 3 is a right side view thereof, the left side being a mirror image;
 FIG. 4 is a top view thereof; and
 FIG. 5 is a rear view thereof; and
 FIG. 6 is a bottom view thereof.
 FIG. 7 is a perspective view of my strep shield showing my new design in an alternate position;
 FIG. 8 is a bottom view thereof;
 FIG. 9 is a front view thereof,
 FIG. 10 is a right side view thereof,
 FIG. 11 is a top view thereof; and,
 FIG. 12 is a rear view thereof.

1 Claim, 4 Drawing Sheets



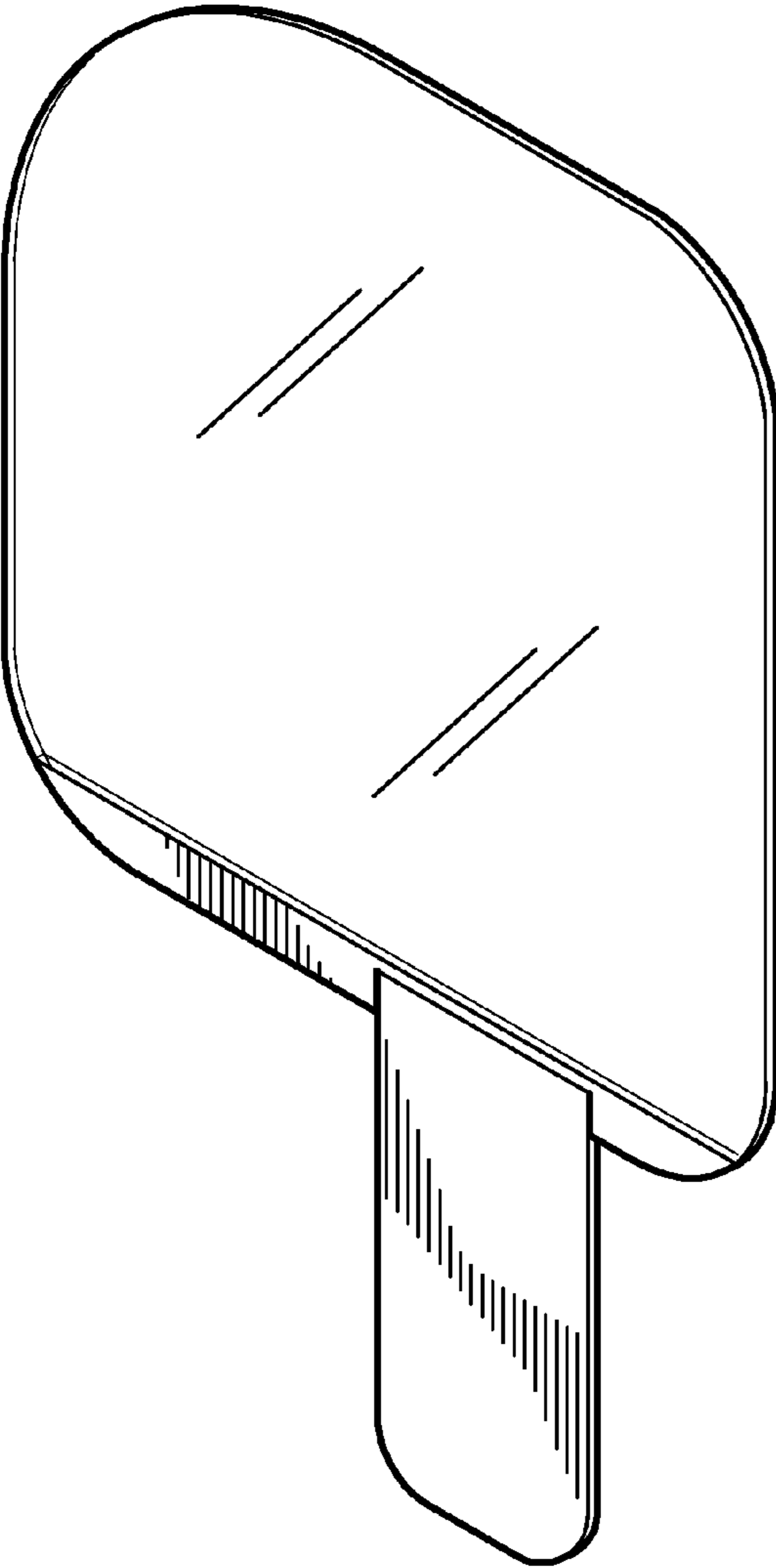


FIG. 1

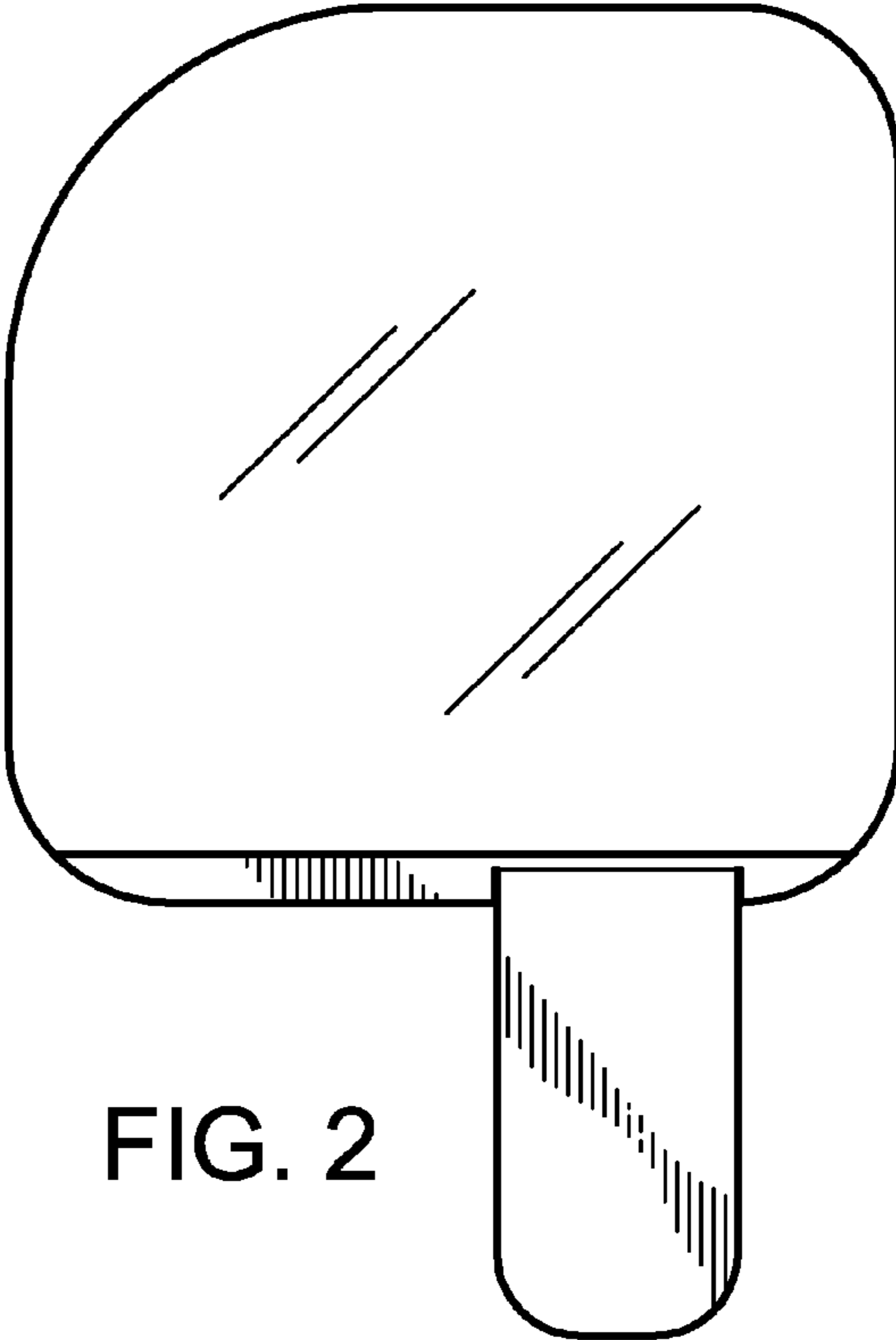


FIG. 2



FIG. 4



FIG. 3

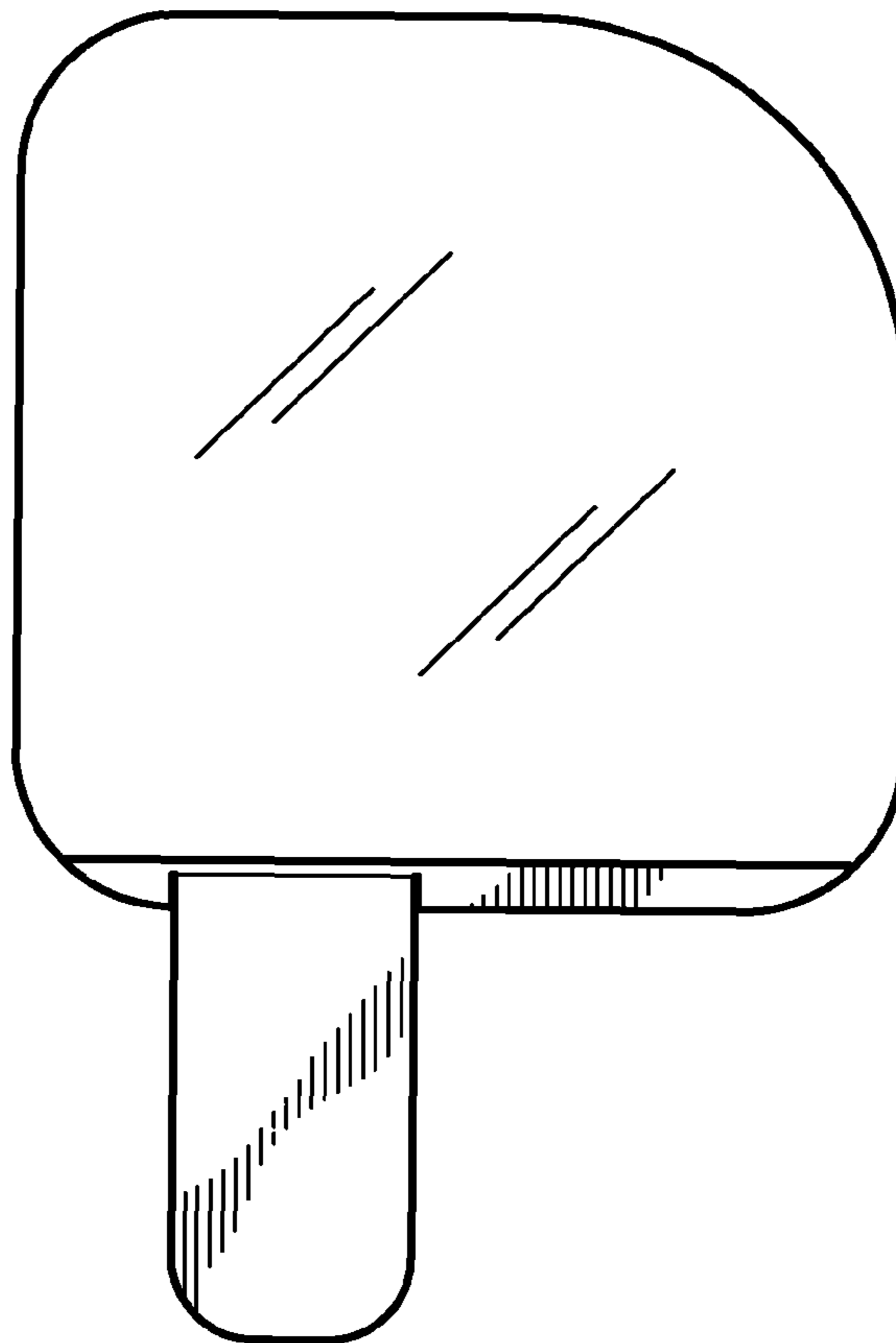


FIG. 5

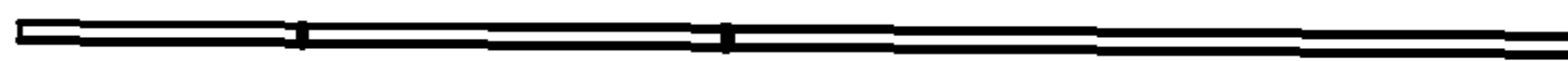


FIG. 6

FIG. 7

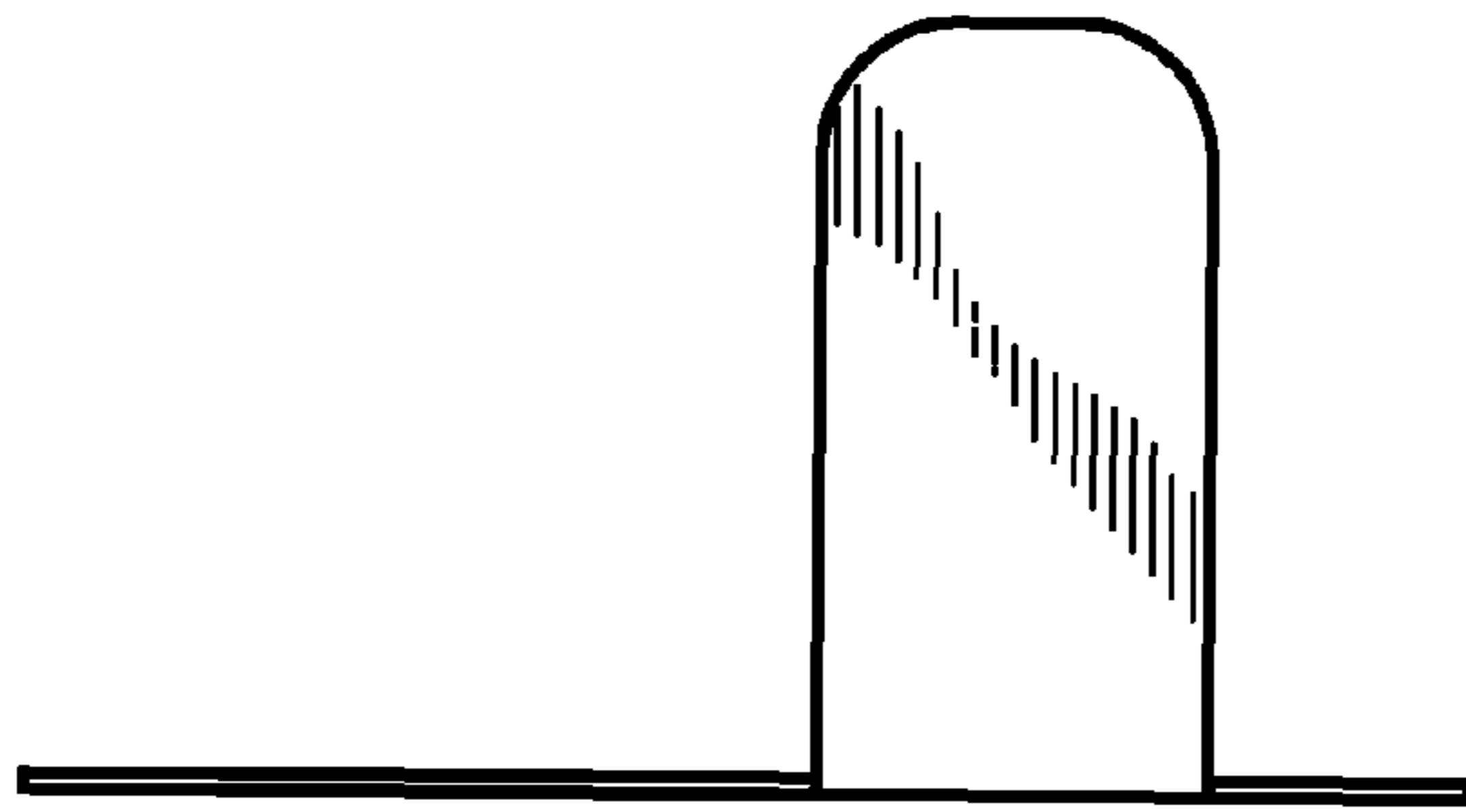
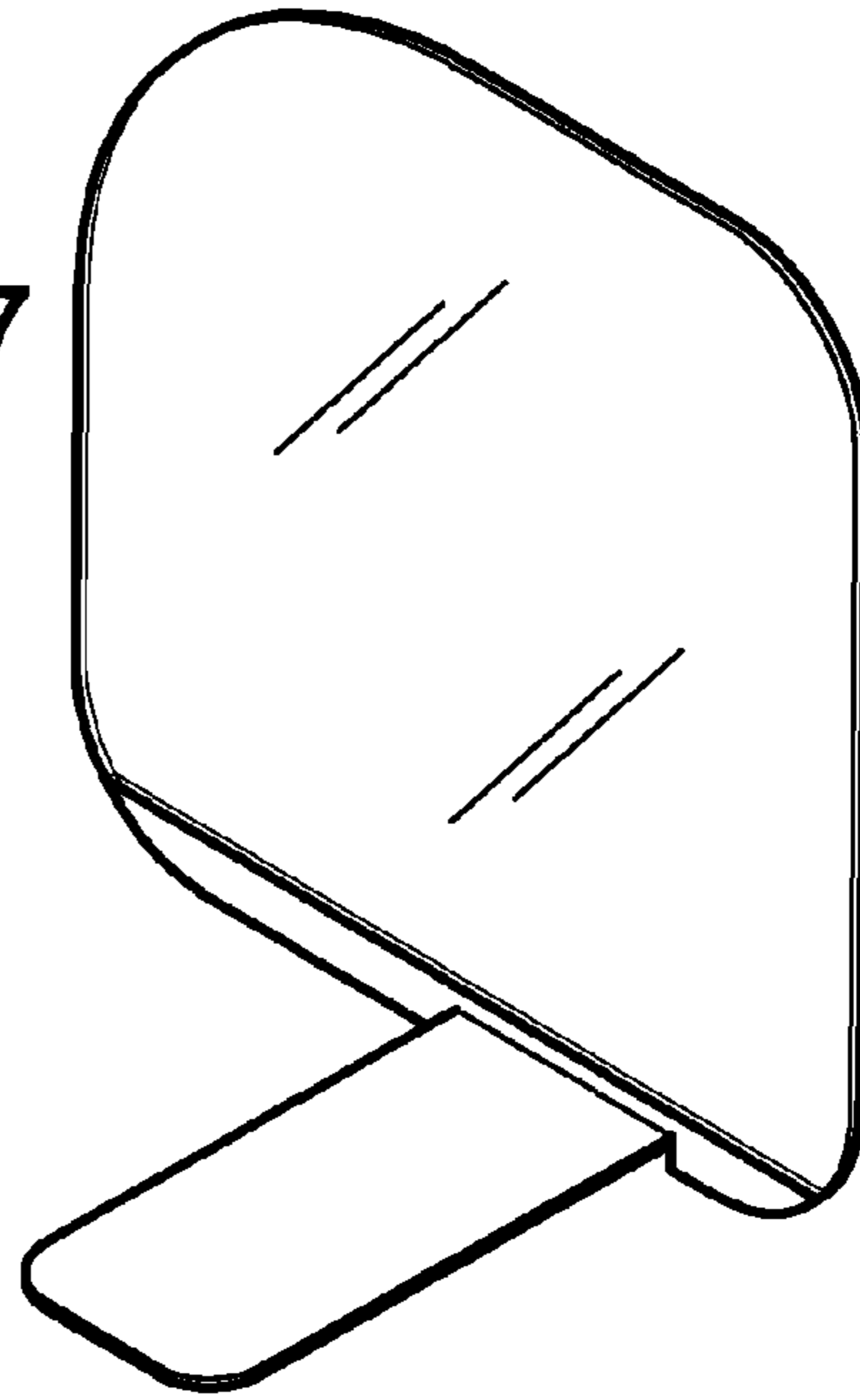


FIG. 8

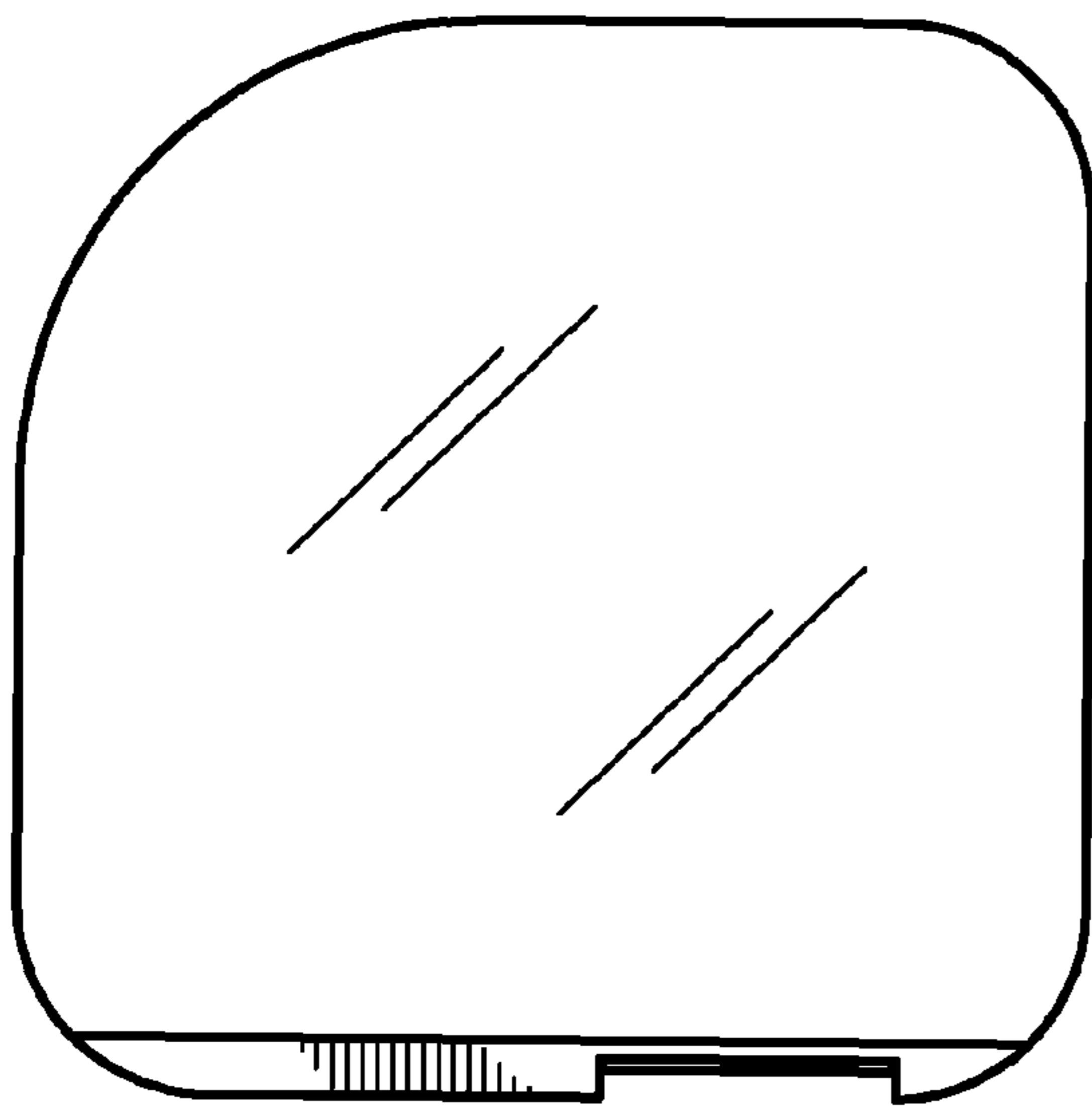


FIG. 9

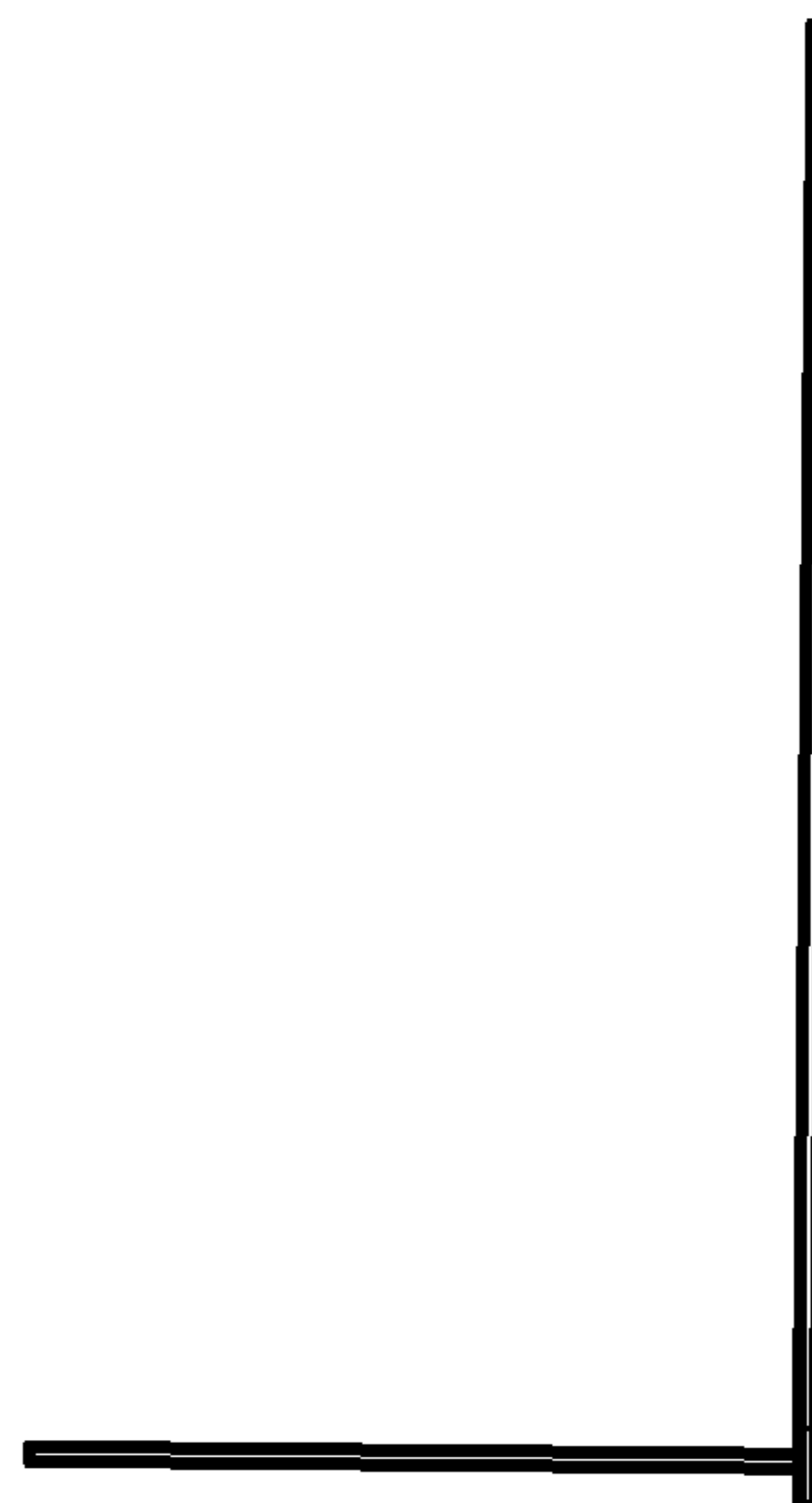


FIG. 10

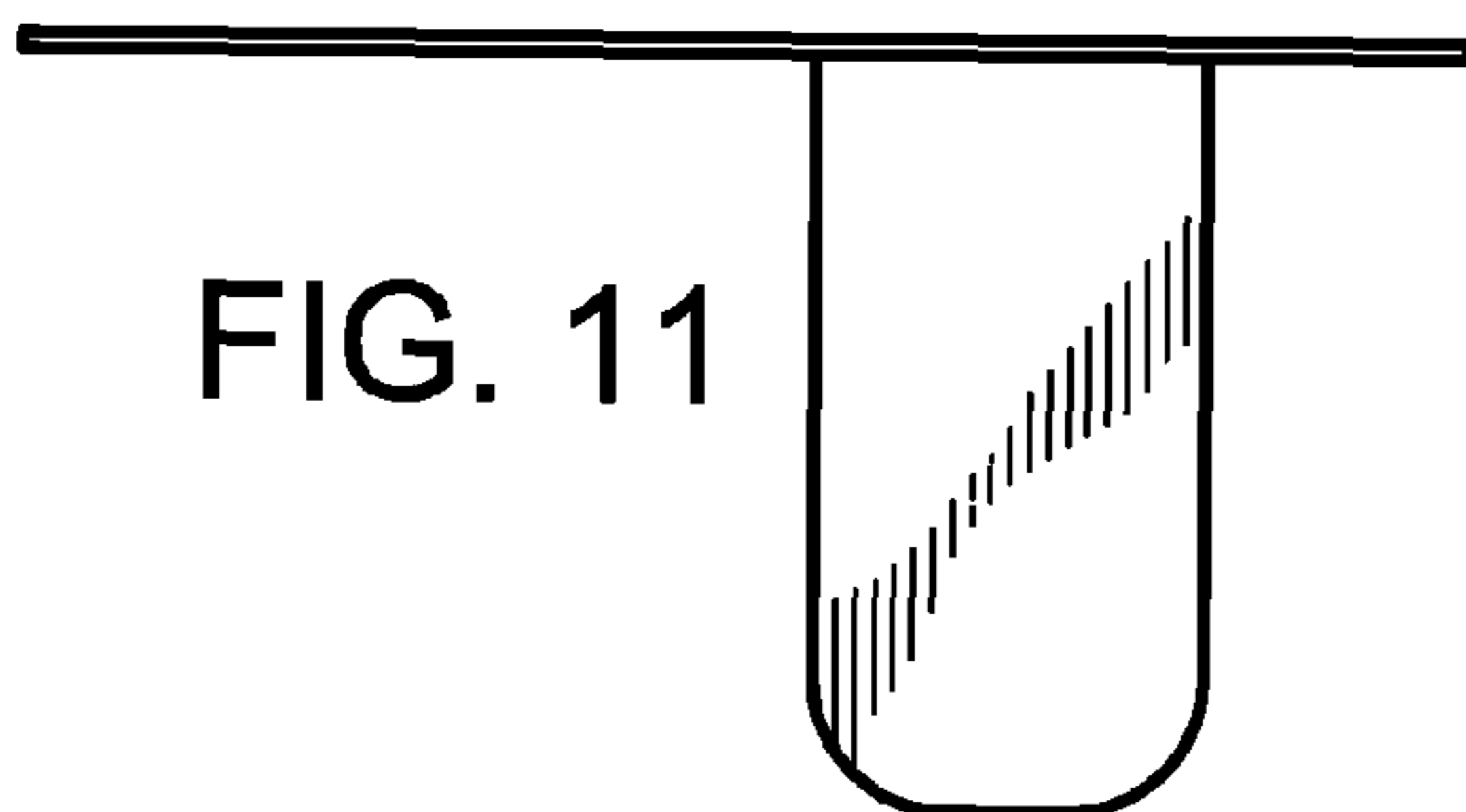


FIG. 11

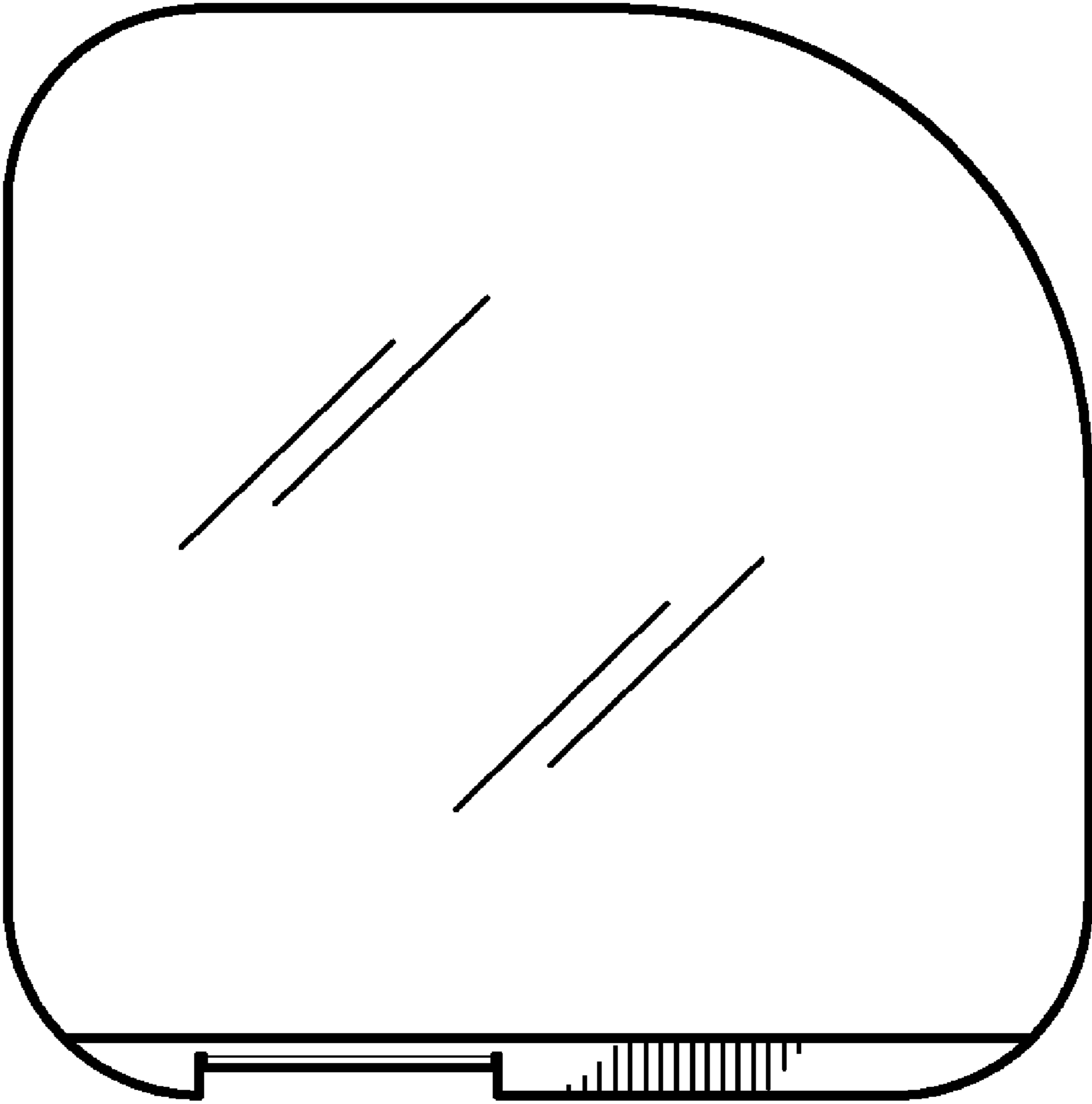


FIG. 12