

US00D641860S

(12) **United States Design Patent**
Okamoto et al.

(10) **Patent No.:** **US D641,860 S**
(45) **Date of Patent:** **** Jul. 19, 2011**

(54) **DRAFT CHAMBER**
(75) Inventors: **Yasutoshi Okamoto**, Moriguchi (JP);
Fumio Yamada, Moriguchi (JP);
Akihiro Mochizuki, Moriguchi (JP);
Yuko Kato, Moriguchi (JP); **So**
Kumazawa, Moriguchi (JP)

(73) Assignee: **Sanyo Electric Co., Ltd.**, Moriguchi,
Osaka (JP)

(**) Term: **14 Years**

(21) Appl. No.: **29/368,449**

(22) Filed: **Aug. 24, 2010**

(30) **Foreign Application Priority Data**

Feb. 25, 2010 (JP) 2010-004392

(51) **LOC (9) Cl.** **23-04**

(52) **U.S. Cl.** **D23/393**

(58) **Field of Classification Search** D23/385-395,
D23/397, 370-373, 365, 351, 354, 399-403,
D23/421, 499, 209, 364; 454/87, 61, 309,
454/275-277, 284, 287-291, 358-363; 52/302.1,
52/32.07; 95/273; 55/482

See application file for complete search history.

(56) **References Cited**

U.S. PATENT DOCUMENTS

3,777,736 A * 12/1973 Van Der Waaij et al. 454/187
D256,613 S * 8/1980 Hilker D23/385

D288,692 S * 3/1987 Wysolmierski D23/209
D290,290 S * 6/1987 Jones, Jr. D23/364
D312,304 S * 11/1990 Sexton D23/364
4,976,815 A * 12/1990 Hiratsuka et al. 454/187
D396,277 S * 7/1998 Wallace et al. D23/371
D402,498 S * 12/1998 Howard et al. D23/209
6,368,388 B1 * 4/2002 Kosmider et al. 95/273
6,623,538 B2 * 9/2003 Thakur et al. 454/187
6,632,260 B1 * 10/2003 Siemers et al. 454/187
6,966,938 B2 * 11/2005 Burgin et al. 55/482
D566,256 S * 4/2008 Abate et al. D23/364

* cited by examiner

Primary Examiner — David Muller

(74) *Attorney, Agent, or Firm* — Weingarten, Schurgin,
Gagnebin & Lebovici LLP

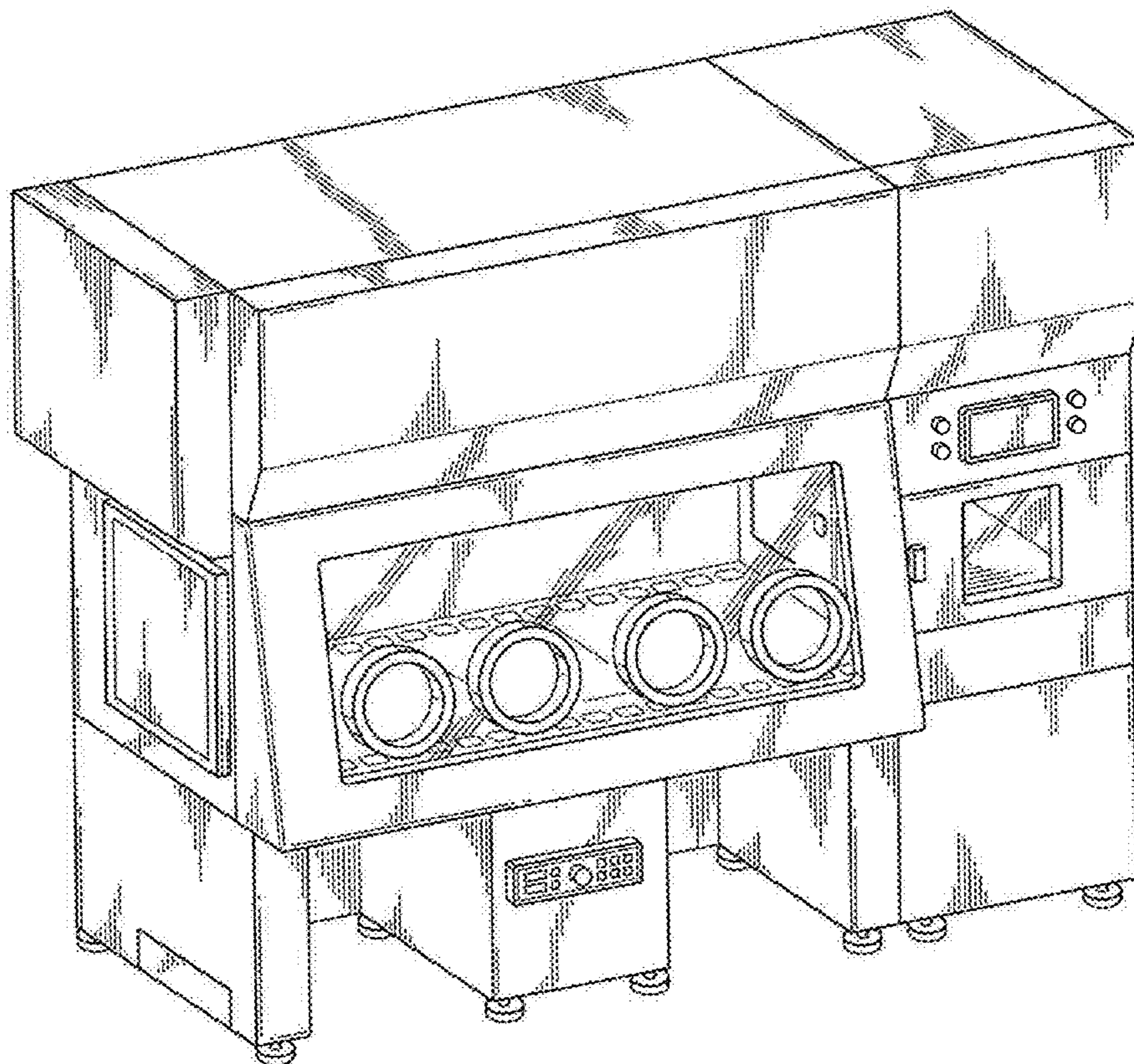
(57) **CLAIM**

The ornamental design for a draft chamber, as shown and described.

DESCRIPTION

FIG. 1 is a front view of the draft chamber;
FIG. 2 is a rear view thereof;
FIG. 3 is a top view thereof;
FIG. 4 is a bottom view thereof;
FIG. 5 is a right-side view thereof;
FIG. 6 is a left-side view thereof; and,
FIG. 7 is a perspective view looking from the upper left-side
direction of the draft chamber.

1 Claim, 4 Drawing Sheets



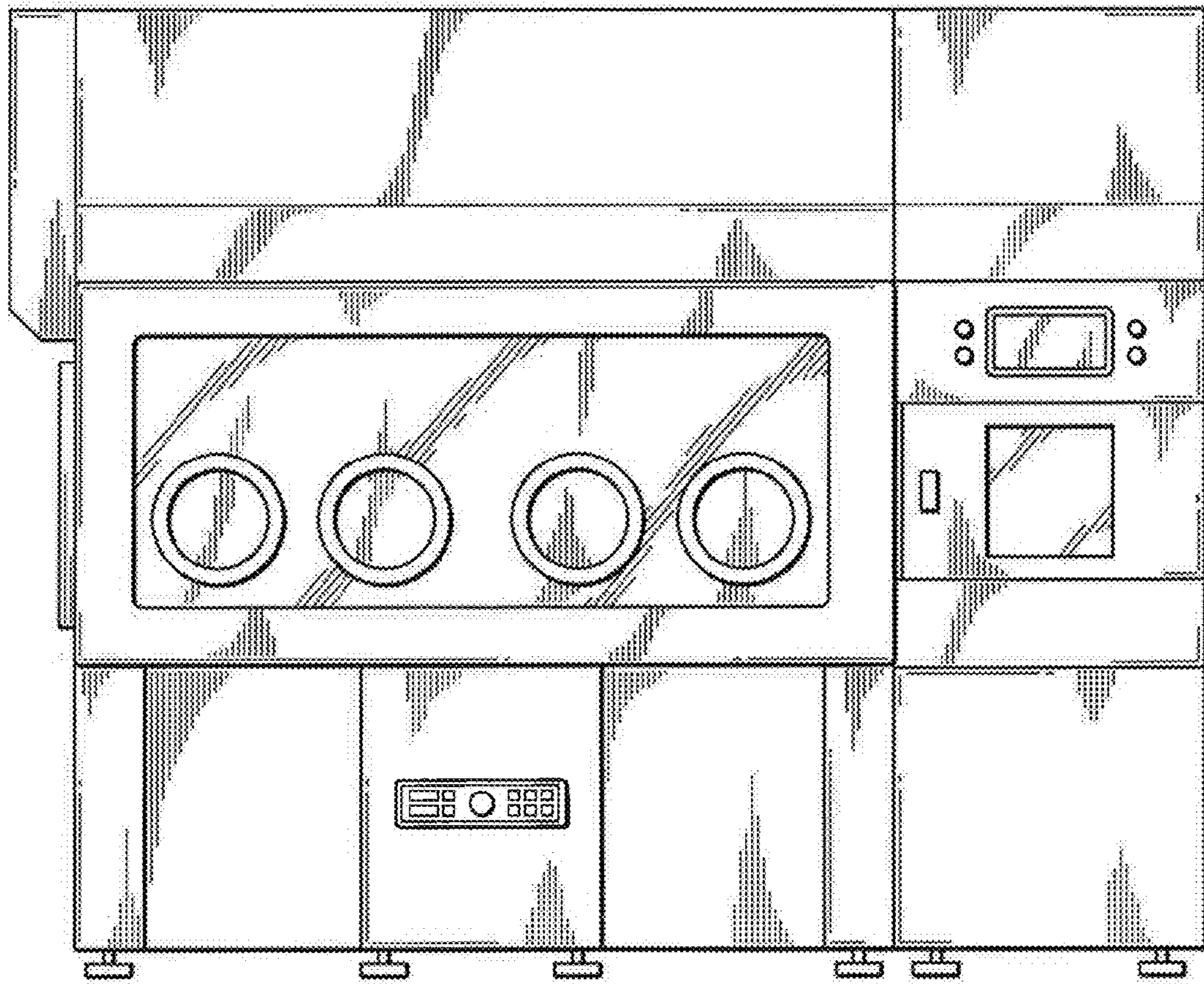


FIG. 1

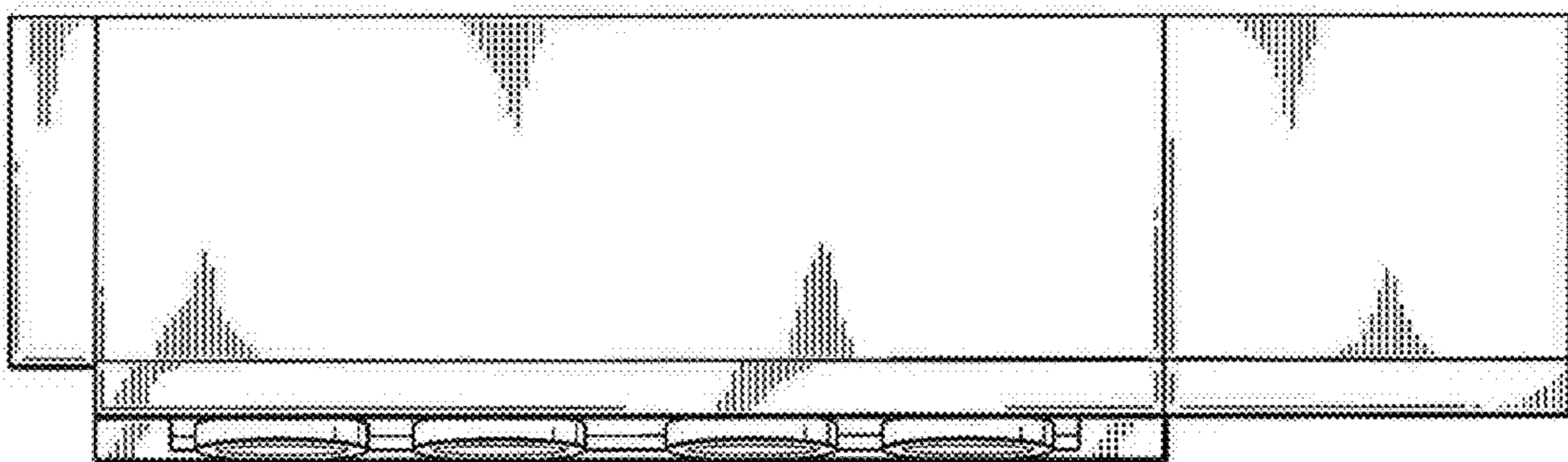


FIG. 3

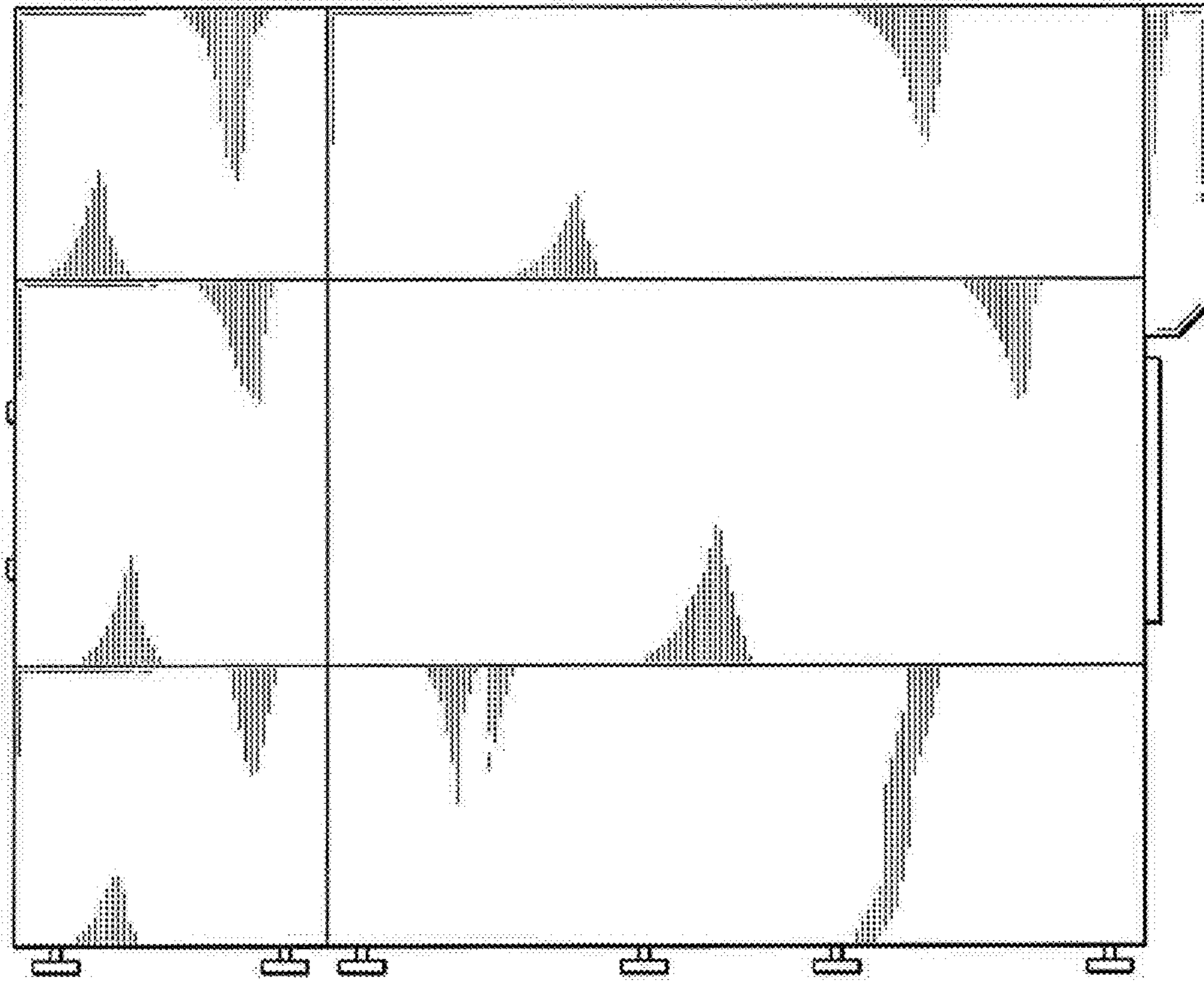


FIG. 2

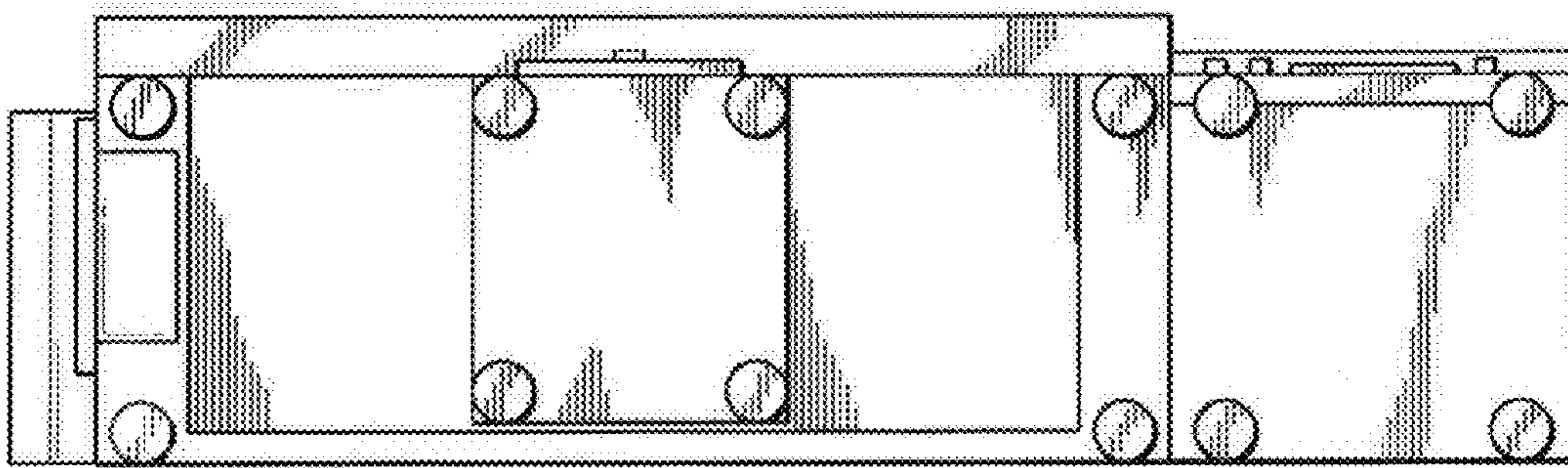


FIG. 4

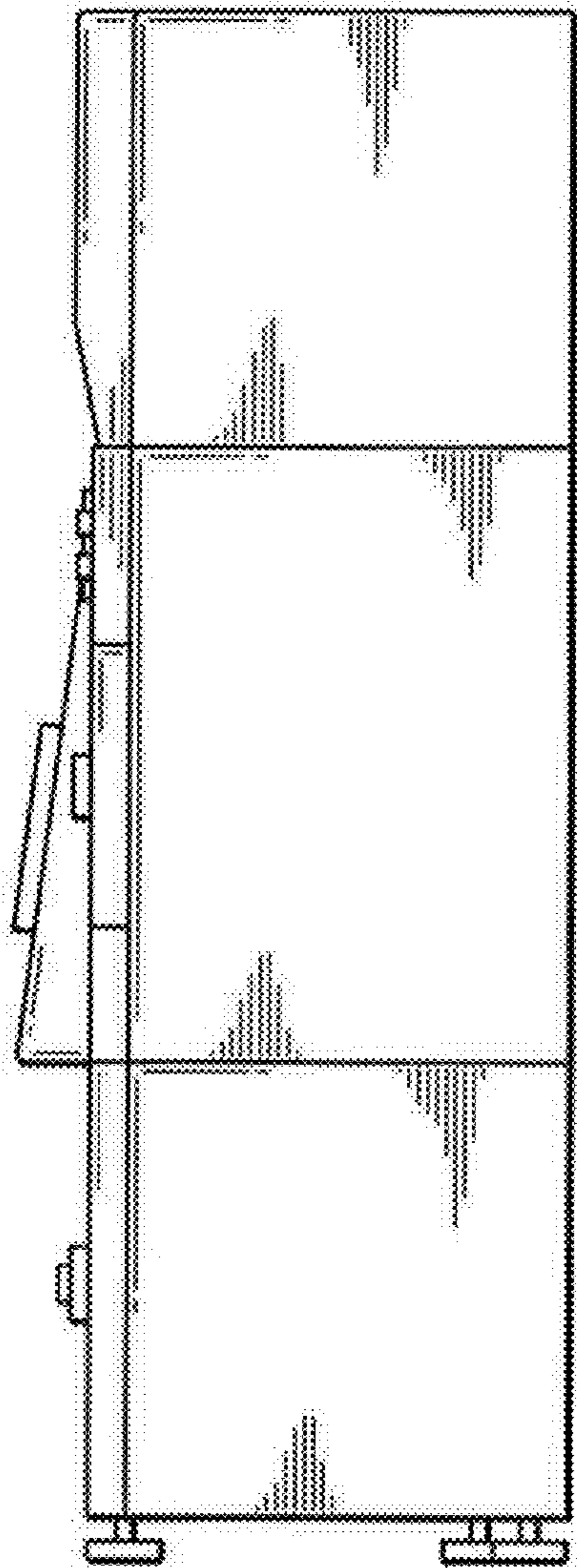


FIG. 5

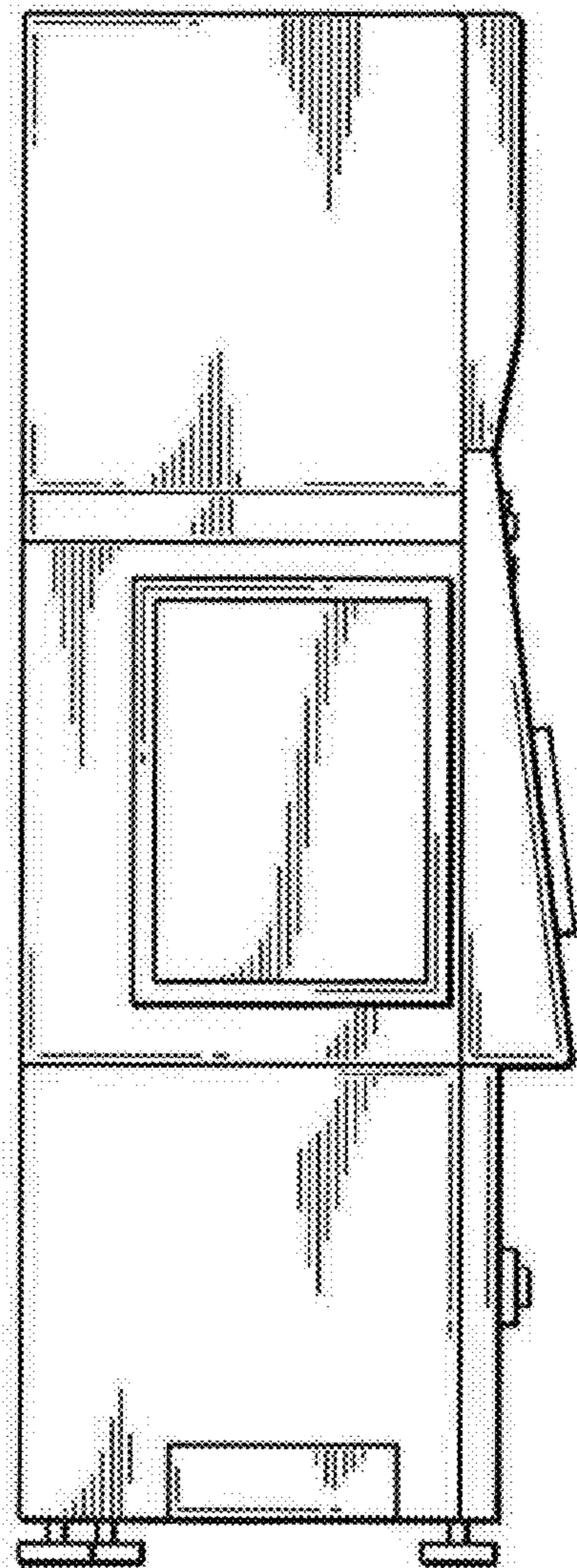


FIG. 6

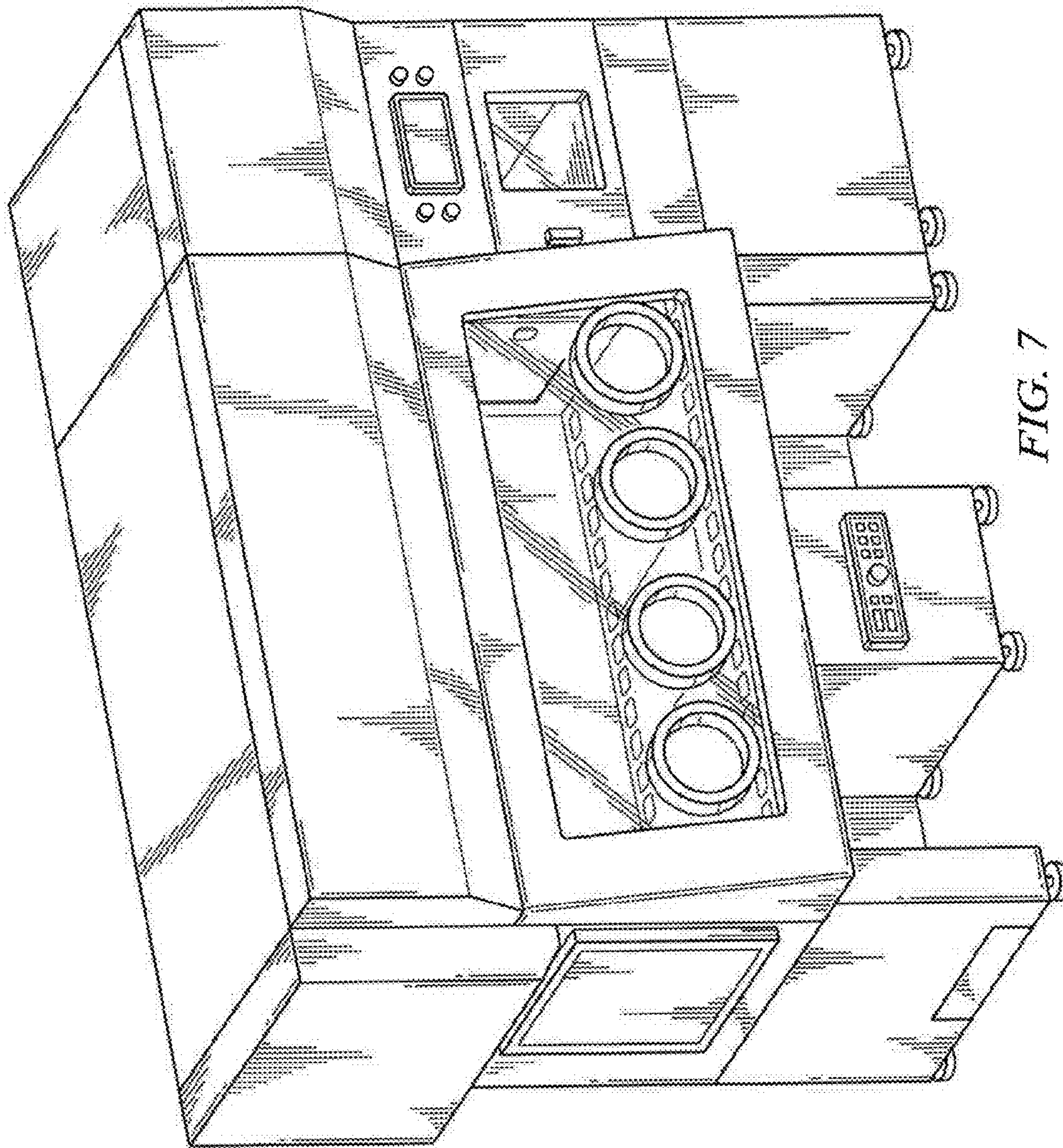


FIG. 7

UNITED STATES PATENT AND TRADEMARK OFFICE
CERTIFICATE OF CORRECTION

PATENT NO. : D641,860 S
APPLICATION NO. : 29/368449
DATED : July 19, 2011
INVENTOR(S) : Yasutoshi Okamoto et al.

Page 1 of 1

It is certified that error appears in the above-identified patent and that said Letters Patent is hereby corrected as shown below:

Front page, (75) inventors, reads as follows:

“Yosutoshi Okamoto, Moriguchi (JP);
Fumio Yamada, Morguchi (JP);
Akihiro Mochizuki, Moriguchi (JP);
Yuko Kato, Moriguch (JP);
So Kumazawa, Morguchi (JP)”

should read as follows:

“Yosutoshi Okamoto, Moriguchi-city, Osaka (JP);
Fumio Yamada, Morguchi-city, Osaka (JP);
Akihiro Mochizuki, Moriguchi-city, Osaka (JP);
Yuko Kato, Moriguchi-city, Osaka (JP);
So Kumazawa, Morguchi-city, Osaka (JP)”

Signed and Sealed this
Third Day of July, 2012



David J. Kappos
Director of the United States Patent and Trademark Office