



US00D641859S

(12) **United States Design Patent**  
**van Walraven**

(10) **Patent No.:** **US D641,859 S**

(45) **Date of Patent:** **\*\* Jul. 19, 2011**

(54) **CUFFS**

(75) **Inventor:** **Jan van Walraven, Mijdrecht (NL)**

(73) **Assignee:** **J. Van Walraven Holding B.V. (NL)**

(\*\*) **Term:** **14 Years**

(21) **Appl. No.:** **29/304,570**

(22) **Filed:** **Mar. 4, 2008**

(30) **Foreign Application Priority Data**

Sep. 17, 2007 (EM) ..... 000790480-0001

(51) **LOC (9) Cl.** ..... **23-04**

(52) **U.S. Cl.** ..... **D23/393**

(58) **Field of Classification Search** ..... D23/385-395,  
D23/397, 370-373, 365, 351, 354, 399-403,  
D23/259, 266, 262, 265; 454/309, 275-277,  
454/284, 287-291, 358-363; 137/375; 138/149,  
138/157, 166, 112, 156, 128; 285/47, 53;  
165/DIG. 24, DIG. 25, DIG. 533, DIG. 534;  
D7/608; 52/220.8; 602/2; D24/190; D32/31  
See application file for complete search history.

(56) **References Cited**

**U.S. PATENT DOCUMENTS**

2,784,129 A \* 3/1957 Stephens ..... 138/128  
2,855,252 A \* 10/1958 Budinger et al. .... 138/156

D326,032 S \* 5/1992 Leach ..... D7/608  
D336,128 S \* 6/1993 Sherrill ..... D23/386  
D375,558 S \* 11/1996 Williams ..... D23/393  
5,947,159 A \* 9/1999 Takahashi ..... 138/156  
6,936,018 B2 \* 8/2005 Chalek ..... 602/2  
7,100,641 B2 \* 9/2006 Tyrer et al. .... 138/156  
7,168,452 B2 \* 1/2007 Sasaki et al. .... 138/157  
D548,845 S \* 8/2007 Pfeiffer ..... D24/190  
7,322,380 B2 \* 1/2008 Opperthausen ..... 138/149  
D602,662 S \* 10/2009 Conner ..... D32/31  
7,762,283 B2 \* 7/2010 Sasaki et al. .... 138/166

\* cited by examiner

*Primary Examiner* — David Muller

(74) *Attorney, Agent, or Firm* — Ryan A. Schneider, Esq.;  
Troutman Sanders LLP

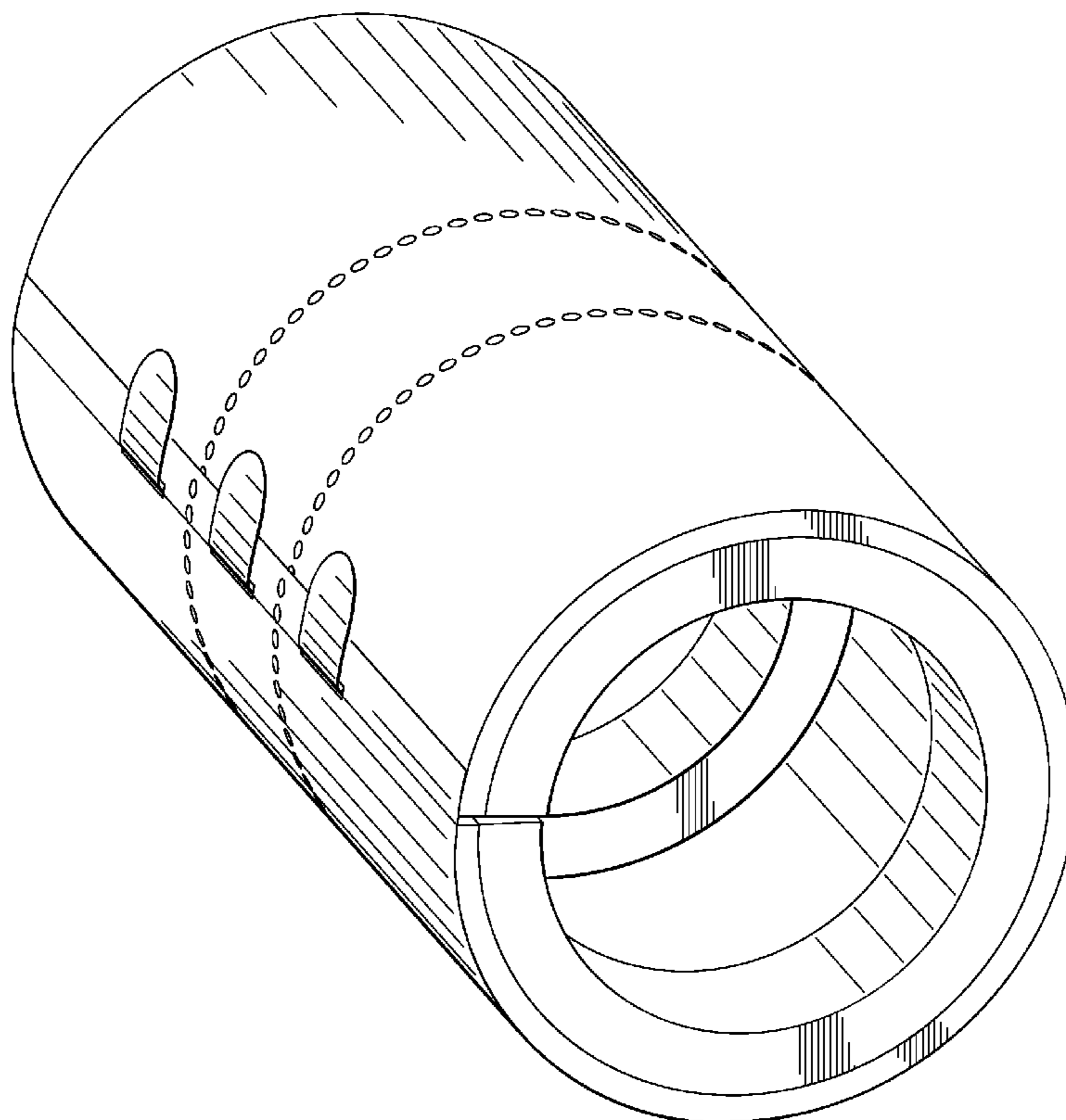
(57) **CLAIM**

The ornamental design for cuffs, as shown and described.

**DESCRIPTION**

FIG. 1 is a perspective view in a closed position of the embodiment of the cuffs design of the present invention, wherein the perforations circumventing the cuff are claimed, wherein the securing tabs have been extended through the slots, and folded back for closure of the cuff; and, FIG. 2 is a perspective view of the cuffs design of FIG. 1 in an open position, wherein the securing tabs are distal the slots, in a position prior to closure of the cuff.

**1 Claim, 2 Drawing Sheets**



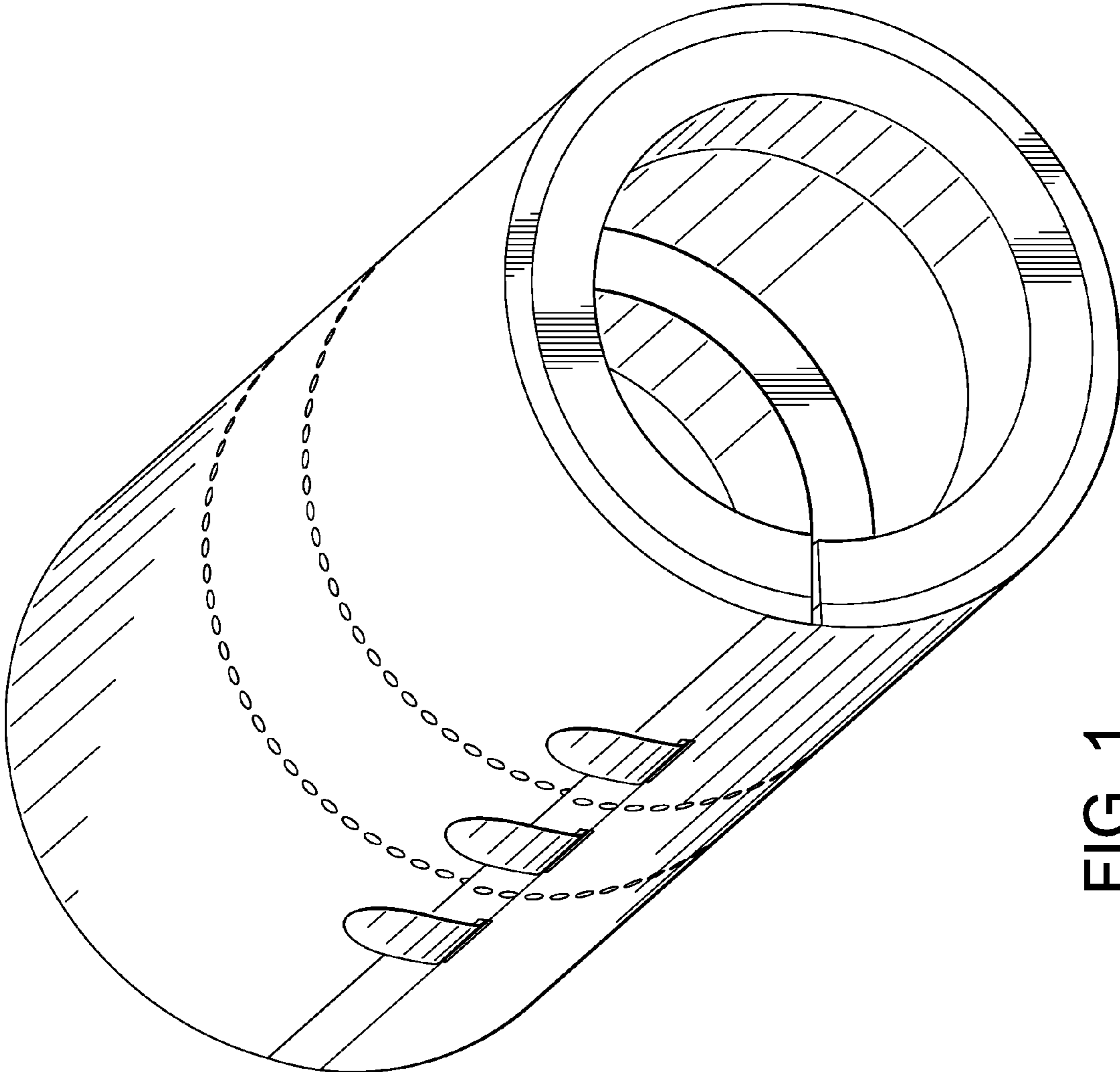


FIG. 1

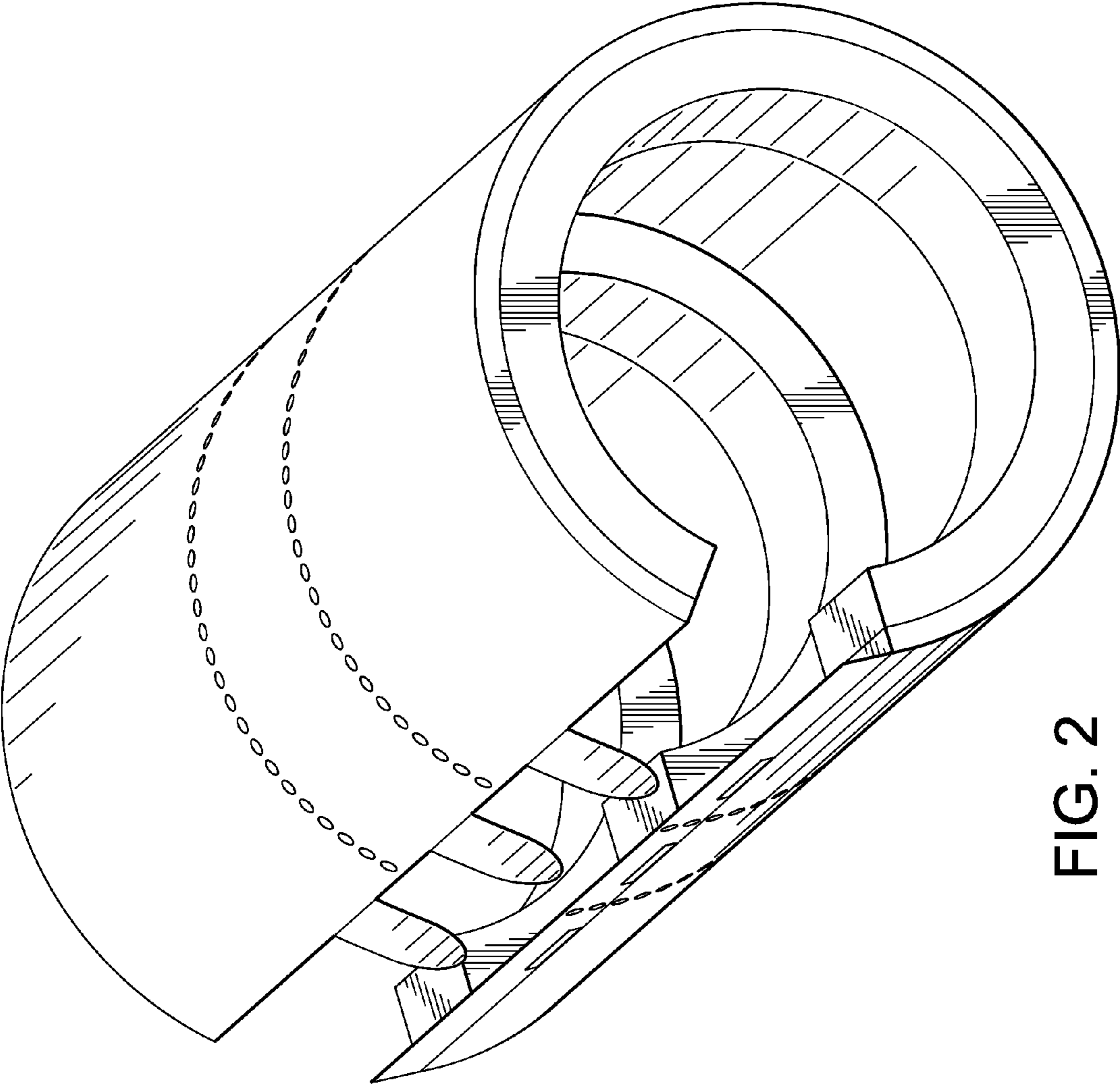


FIG. 2