



US00D641856S

(12) **United States Design Patent**
Walter et al.

(10) **Patent No.:** **US D641,856 S**
(45) **Date of Patent:** **** Jul. 19, 2011**

(54) **BASE FOR A DIFFUSER**

(75) Inventors: **Scott D. Walter**, Twin Lakes, WI (US);
Christopher B. Hisey, Burlington, WI (US)

(73) Assignee: **S.C. Johnson & Son, Inc.**, Racine, WI (US)

(**) Term: **14 Years**

(21) Appl. No.: **29/376,875**

(22) Filed: **Oct. 13, 2010**

(51) **LOC (9) Cl.** **28-99**

(52) **U.S. Cl.** **D23/366**

(58) **Field of Classification Search** D23/355-369;
D28/5, 6; 261/DIG. 17, DIG. 42, DIG. 65,
261/DIG. 88, DIG. 89; 392/386, 390-395;
239/34, 35, 44-47, 50, 53, 56, 60, 145, 326
See application file for complete search history.

(56) **References Cited**

U.S. PATENT DOCUMENTS

D561,929 S	2/2008	Meeker et al.	
D568,530 S *	5/2008	Ly	D26/128
D594,952 S *	6/2009	Orihara et al.	D23/366
D597,646 S *	8/2009	Chapman et al.	D23/366
D604,823 S *	11/2009	Schwartz et al.	D23/366

D611,585 S *	3/2010	Gruenbacher et al.	D23/366
D616,139 S	5/2010	Meeker et al.	
D616,594 S	5/2010	Meeker et al.	
D632,376 S *	2/2011	Wu	D23/366
D633,610 S *	3/2011	Wu	D23/366

* cited by examiner

Primary Examiner — Sandra Snapp

(57) **CLAIM**

The ornamental design for a base for a diffuser, as shown and described herein.

DESCRIPTION

FIG. 1 is a top isometric view of a base for a diffuser of the present invention;

FIG. 2 is an elevational view of a first side of the base of FIG. 1;

FIG. 3 is an elevational view of a second side of the base of FIG. 1;

FIG. 4 is an elevational view of a third side of the base of FIG. 1, wherein the third side is opposite the first side;

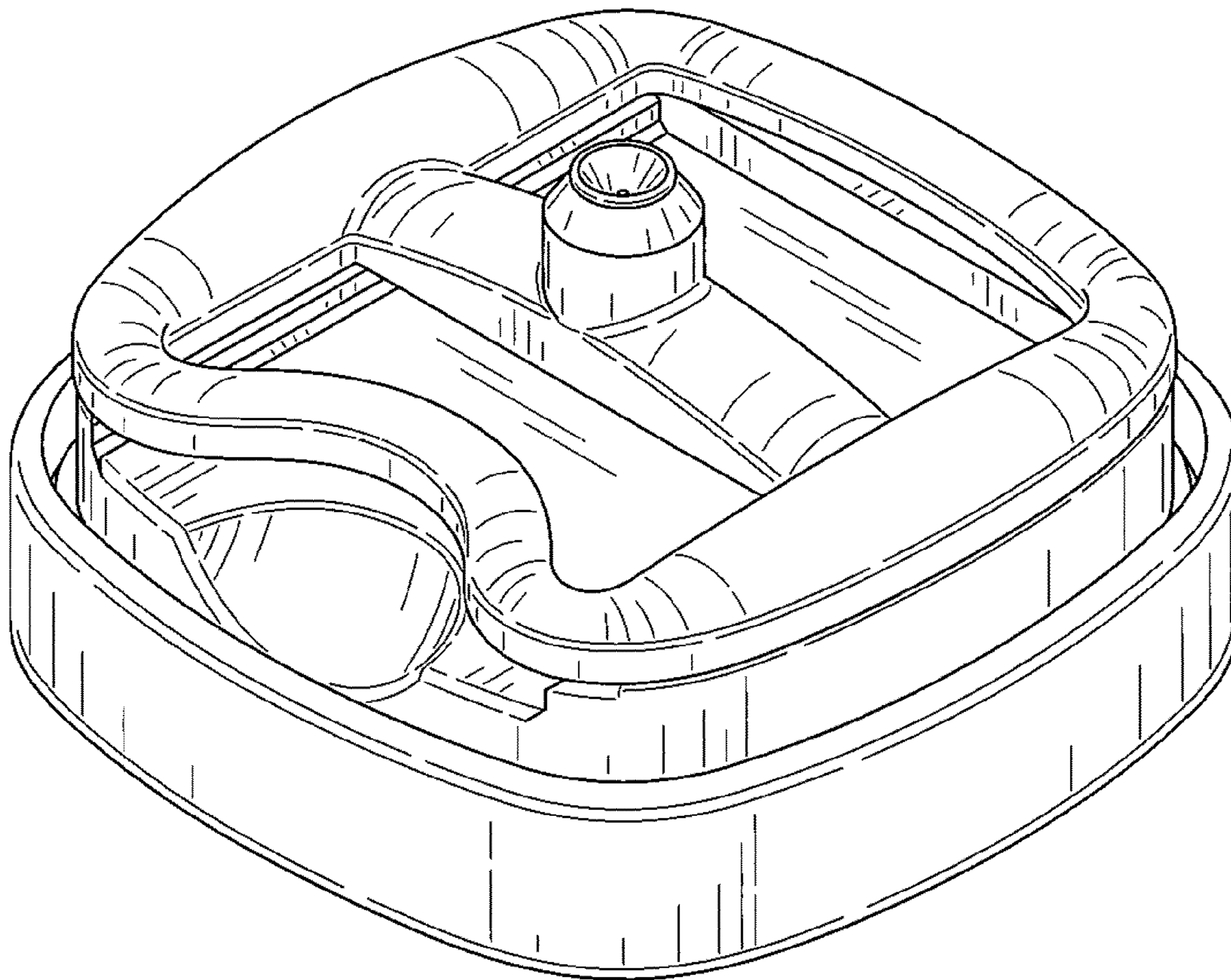
FIG. 5 is an elevational view of a fourth side of the base of FIG. 1, wherein the fourth side is opposite the second side;

FIG. 6 is a top plan view of the base of FIG. 1; and,

FIG. 7 is a bottom plan view of the base of FIG. 1.

The subject matter shown in the figures above in dashed lines forms no part of the claimed invention. Further, the bottom view forms no part of the claimed invention.

1 Claim, 4 Drawing Sheets



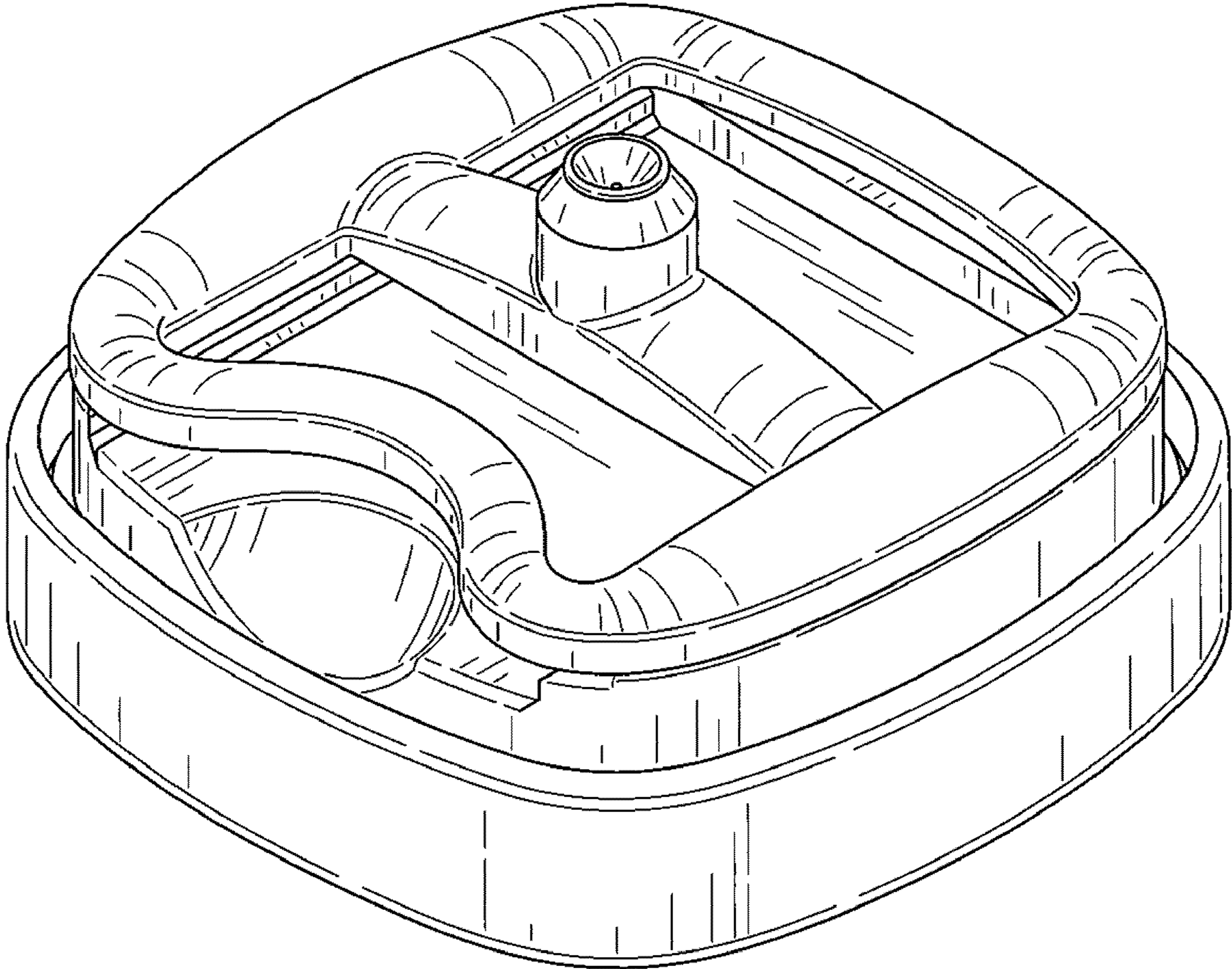


FIG. 1

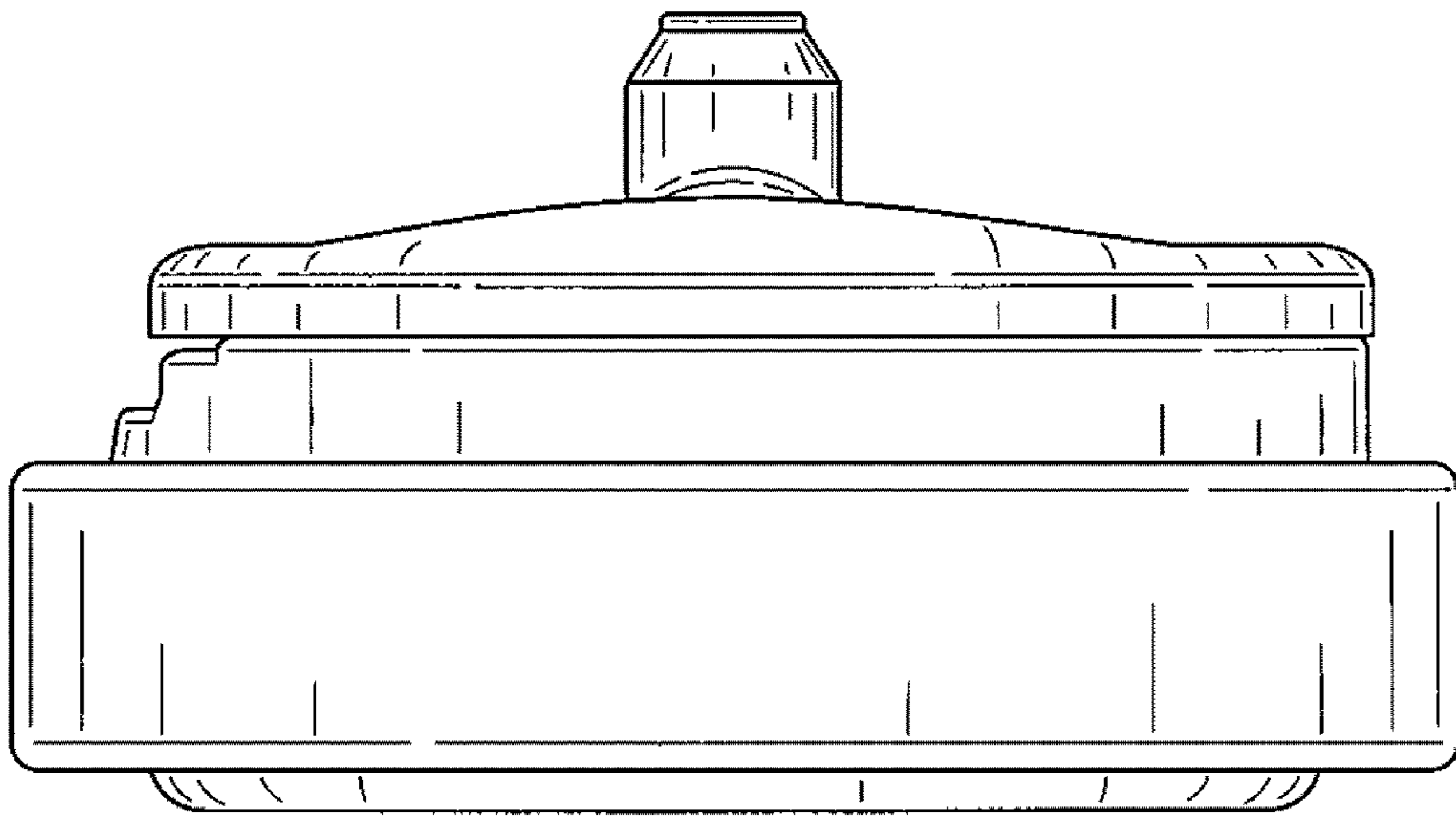


FIG. 2

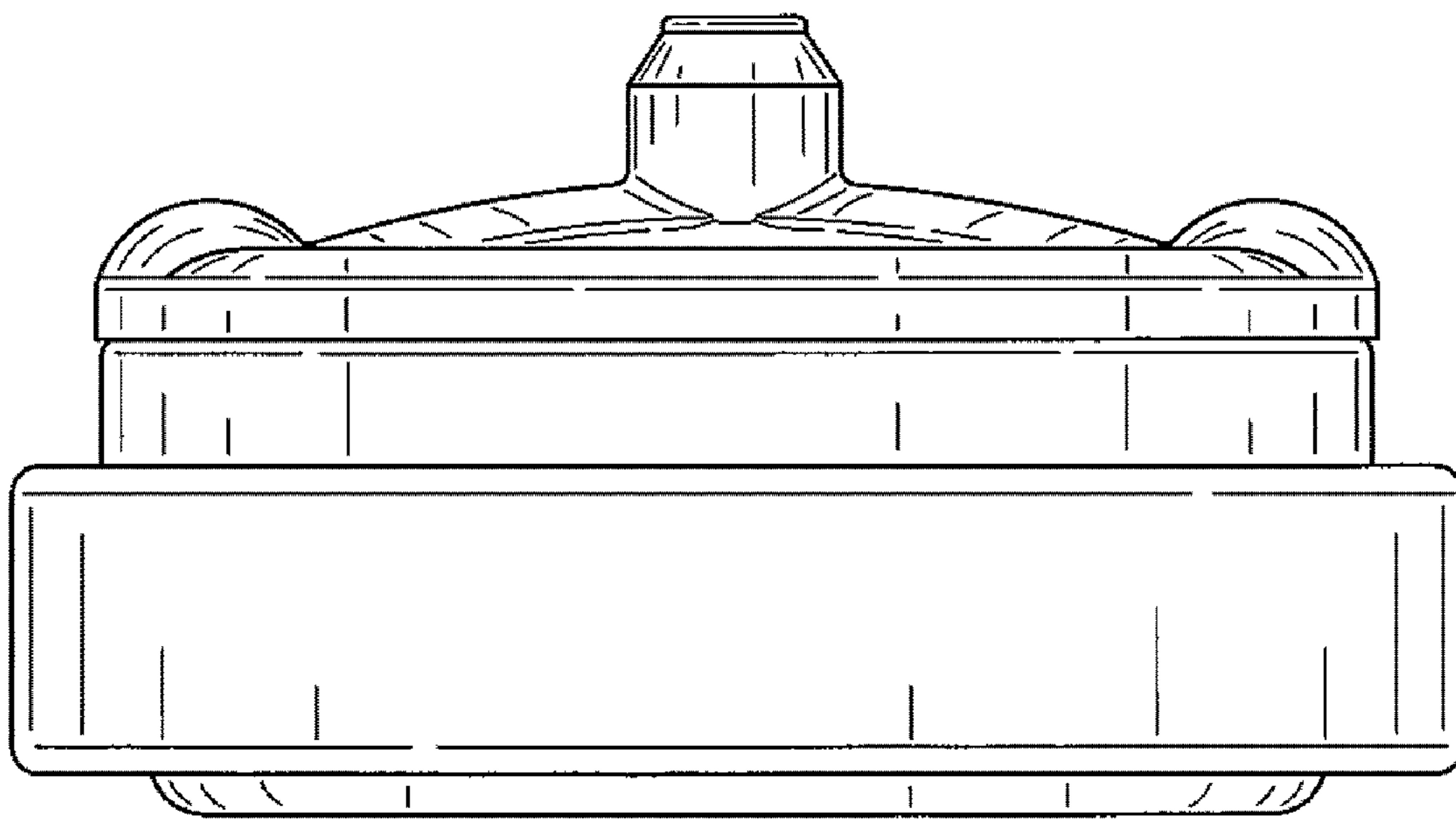


FIG. 3

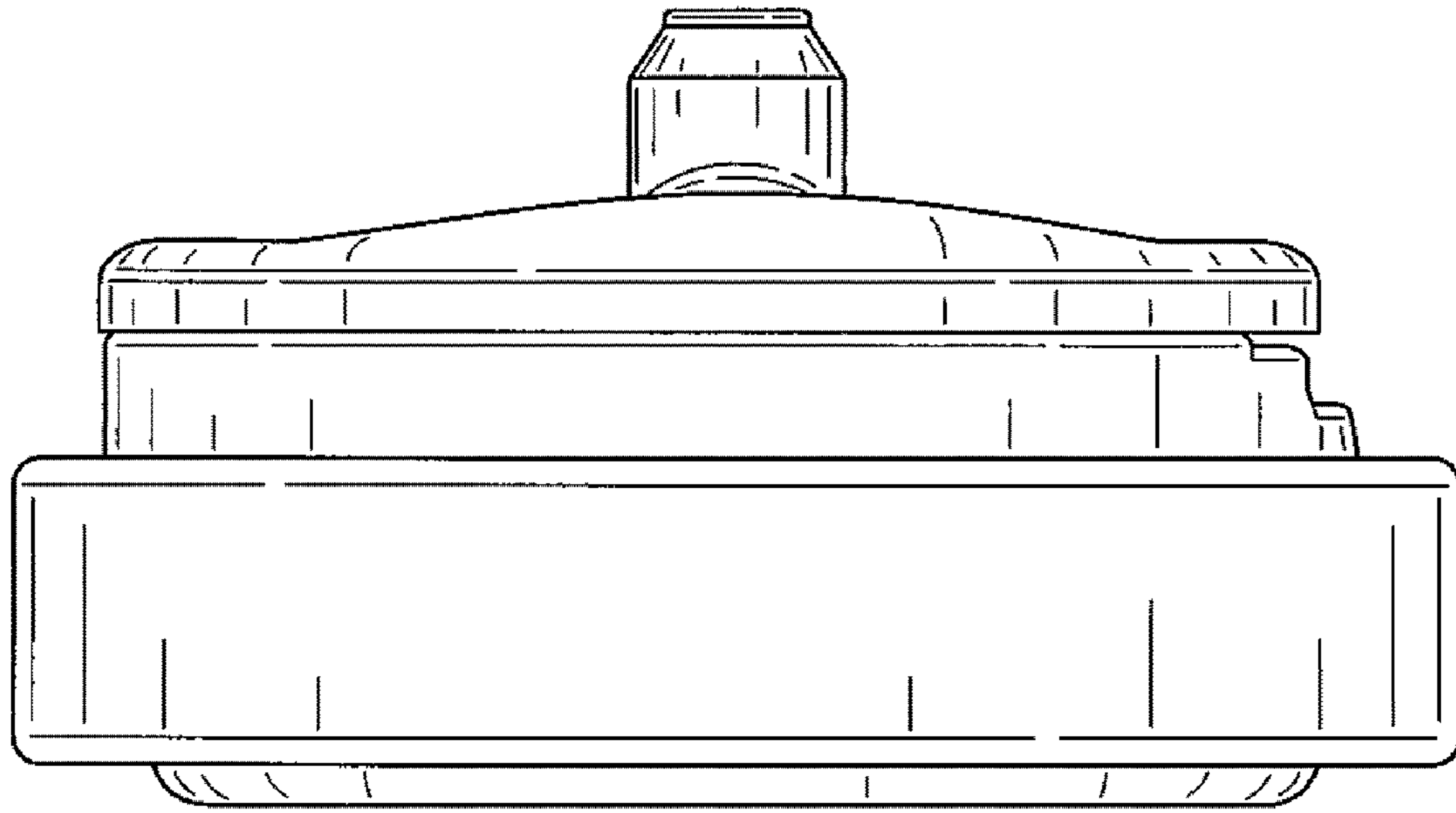


FIG. 4

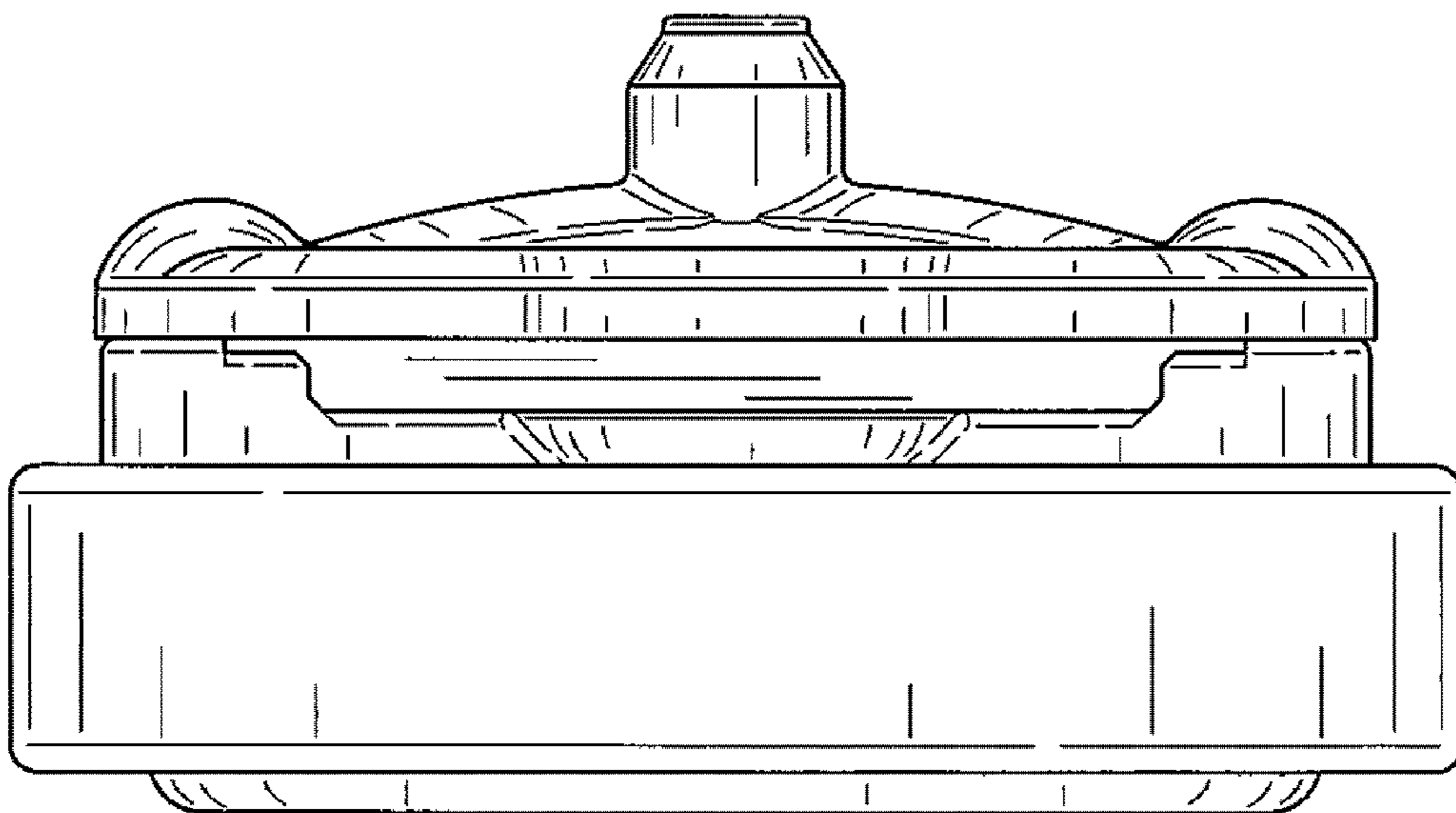


FIG. 5

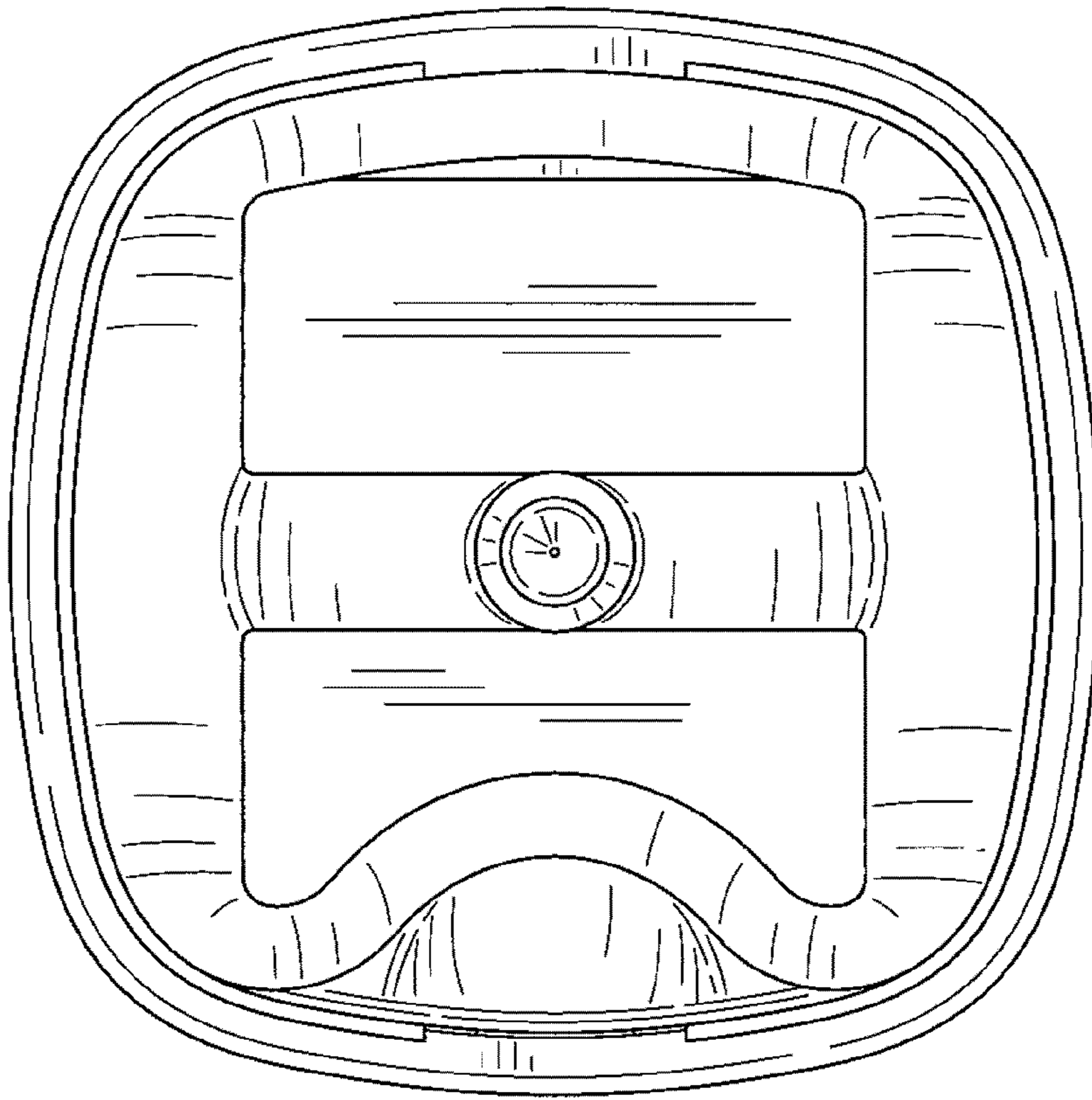


FIG. 6

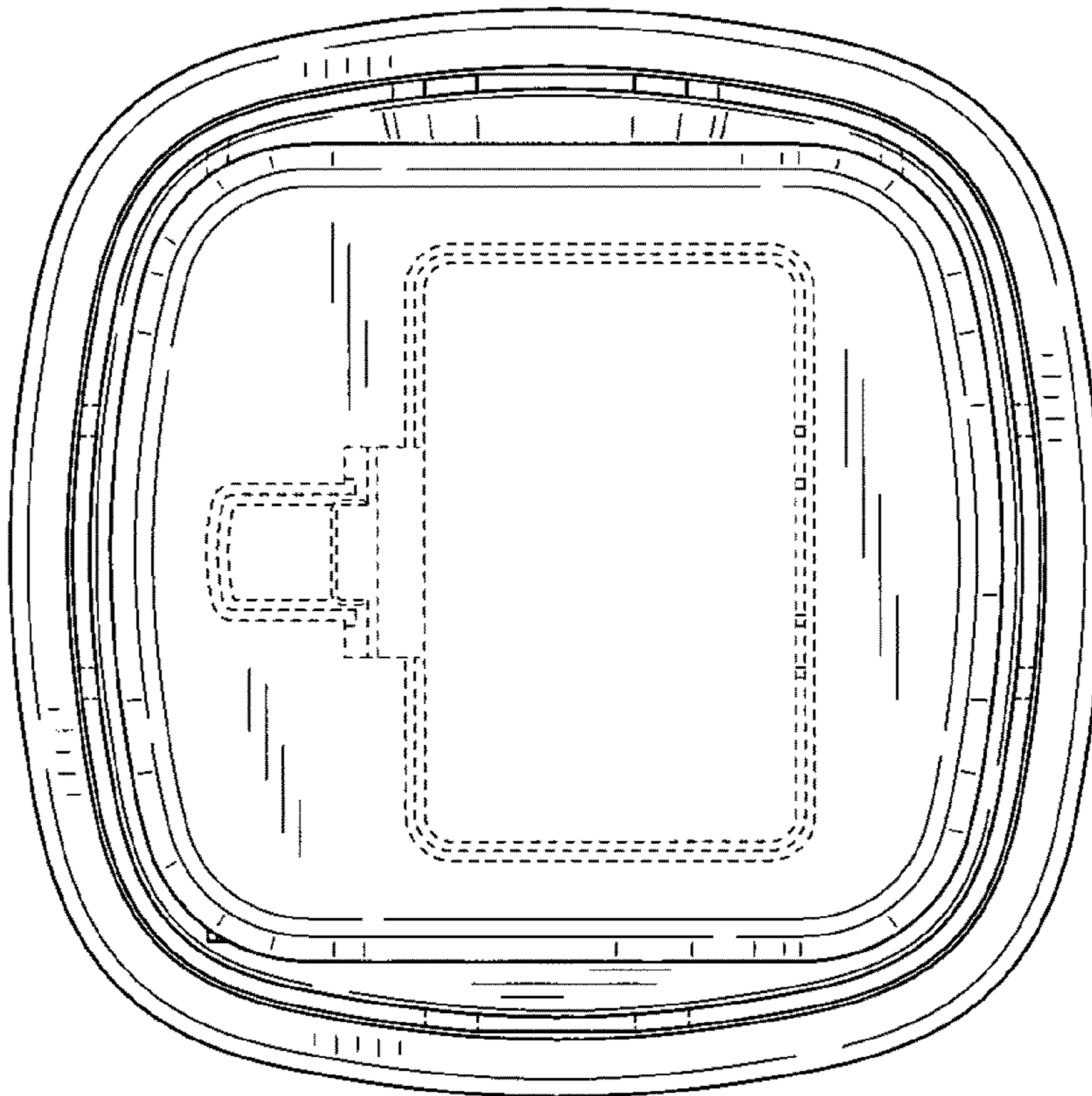


FIG. 7

UNITED STATES PATENT AND TRADEMARK OFFICE
CERTIFICATE OF CORRECTION

PATENT NO. : D641,856 S
APPLICATION NO. : 29/376875
DATED : July 19, 2011
INVENTOR(S) : Scott D. Walter and Christopher B. Hisey

Page 1 of 1

It is certified that error appears in the above-identified patent and that said Letters Patent is hereby corrected as shown below:

Title Page, item [57] Col. 2, Line 2: remove “herein” after “described”

Signed and Sealed this
Fourteenth Day of February, 2012

A handwritten signature in black ink that reads "David J. Kappos". The signature is written in a cursive style with a large initial 'D' and 'K'.

David J. Kappos
Director of the United States Patent and Trademark Office