



US00D641852S

(12) **United States Design Patent**  
**Satou**

(10) **Patent No.:** **US D641,852 S**  
(45) **Date of Patent:** **\*\* Jul. 19, 2011**

(54) **AIR CONDITIONER**

(75) Inventor: **Dai Satou**, Kusatsu (JP)

(73) Assignee: **Daikin Industries Ltd.**, Osaka (JP)

(\*\*) Term: **14 Years**

(21) Appl. No.: **29/371,453**

(22) Filed: **Mar. 3, 2011**

(30) **Foreign Application Priority Data**

Sep. 16, 2010 (JP) ..... 2010-022286

(51) **LOC (9) Cl.** ..... **23-04**

(52) **U.S. Cl.** ..... **D23/351**

(58) **Field of Classification Search** ..... D23/351-354,  
D23/385, 355, 357, 361; 312/236; 62/259.1,  
62/259.4, 262-263, 304; 454/330-331, 349-350  
See application file for complete search history.

(56) **References Cited**

**U.S. PATENT DOCUMENTS**

D420,116 S \* 2/2000 Kobayashi ..... D23/351  
D437,398 S \* 2/2001 Kobayashi ..... D23/351  
D439,317 S \* 3/2001 Kobayashi ..... D23/351  
D557,393 S \* 12/2007 Yoo et al. .... D23/351

D558,864 S \* 1/2008 Yoo et al. .... D23/351  
D568,975 S \* 5/2008 Lim ..... D23/351  
D580,032 S \* 11/2008 Kim et al. .... D23/351  
D580,033 S \* 11/2008 Seki ..... D23/351  
D605,269 S \* 12/2009 Wagner et al. .... D23/351

\* cited by examiner

*Primary Examiner* — Brian N Vinson

(74) *Attorney, Agent, or Firm* — Manabu Kanesaka

(57) **CLAIM**

The ornamental design for an air conditioner, as shown and described.

**DESCRIPTION**

FIG. 1 is a front, bottom, and right side perspective view of an air conditioner showing my new design; FIG. 2 is a front elevational view thereof; FIG. 3 is a rear elevational view thereof; FIG. 4 is a top plan view thereof; FIG. 5 is a bottom plan view thereof; FIG. 6 is a left side elevational view thereof; FIG. 7 is a right side elevational view thereof; and, FIG. 8 is a vertical cross-sectional view thereof taken along line 8-8 in FIG. 2, with the broken-line disclosure understood to show internal elements which are part of the article in which the claimed design is embodied, but which form no part of the claimed design.

**1 Claim, 6 Drawing Sheets**

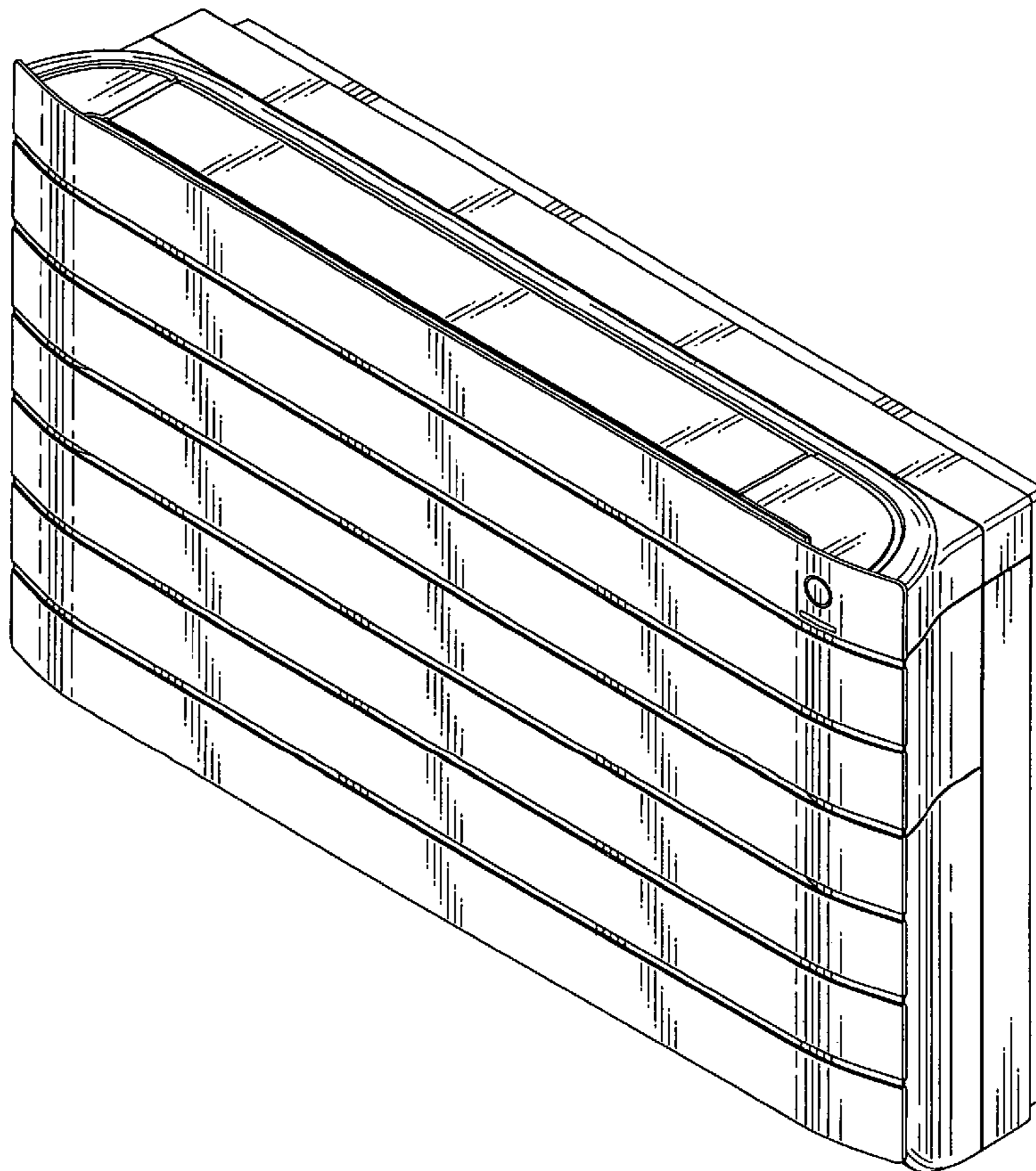


Fig. 1

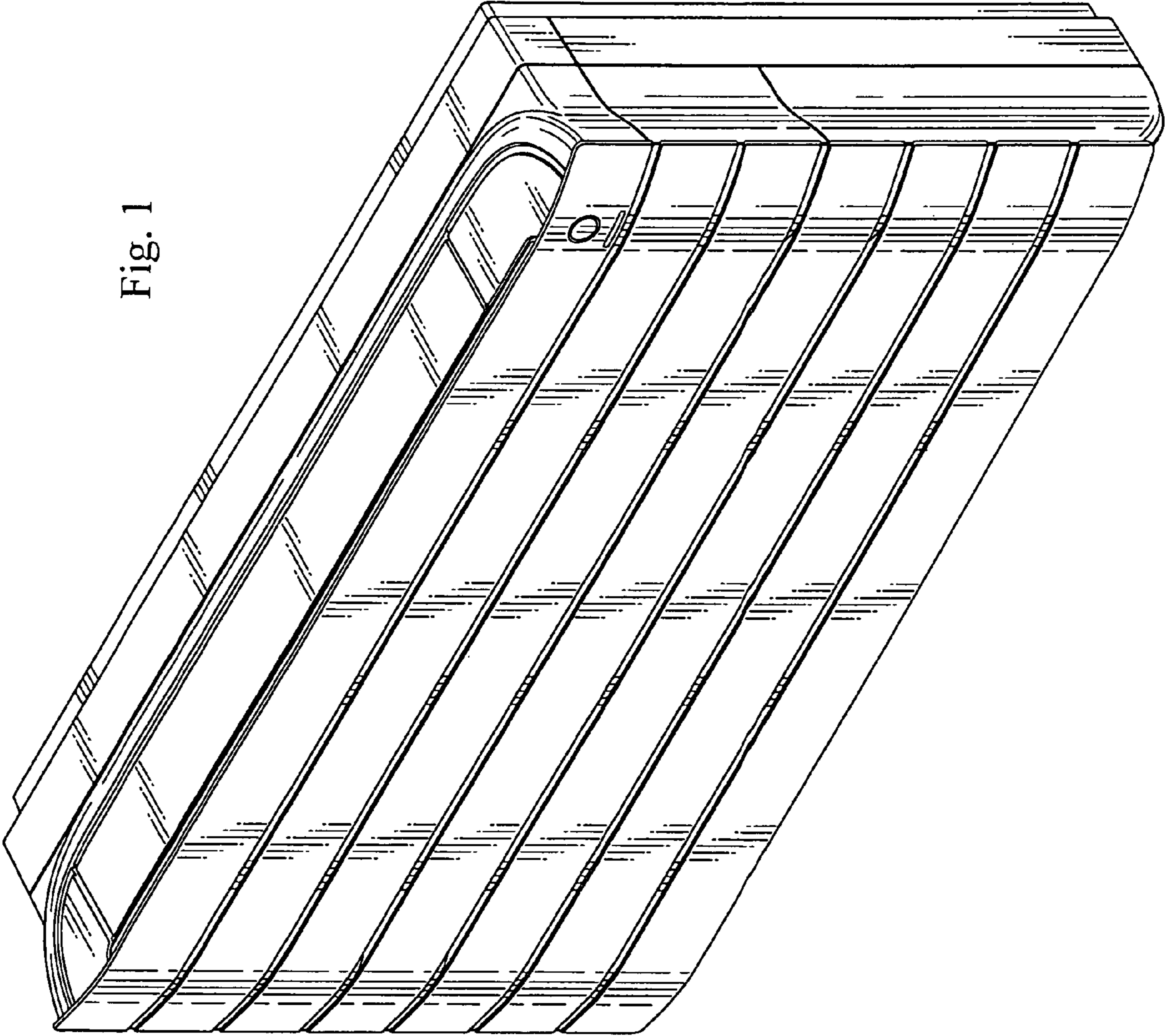
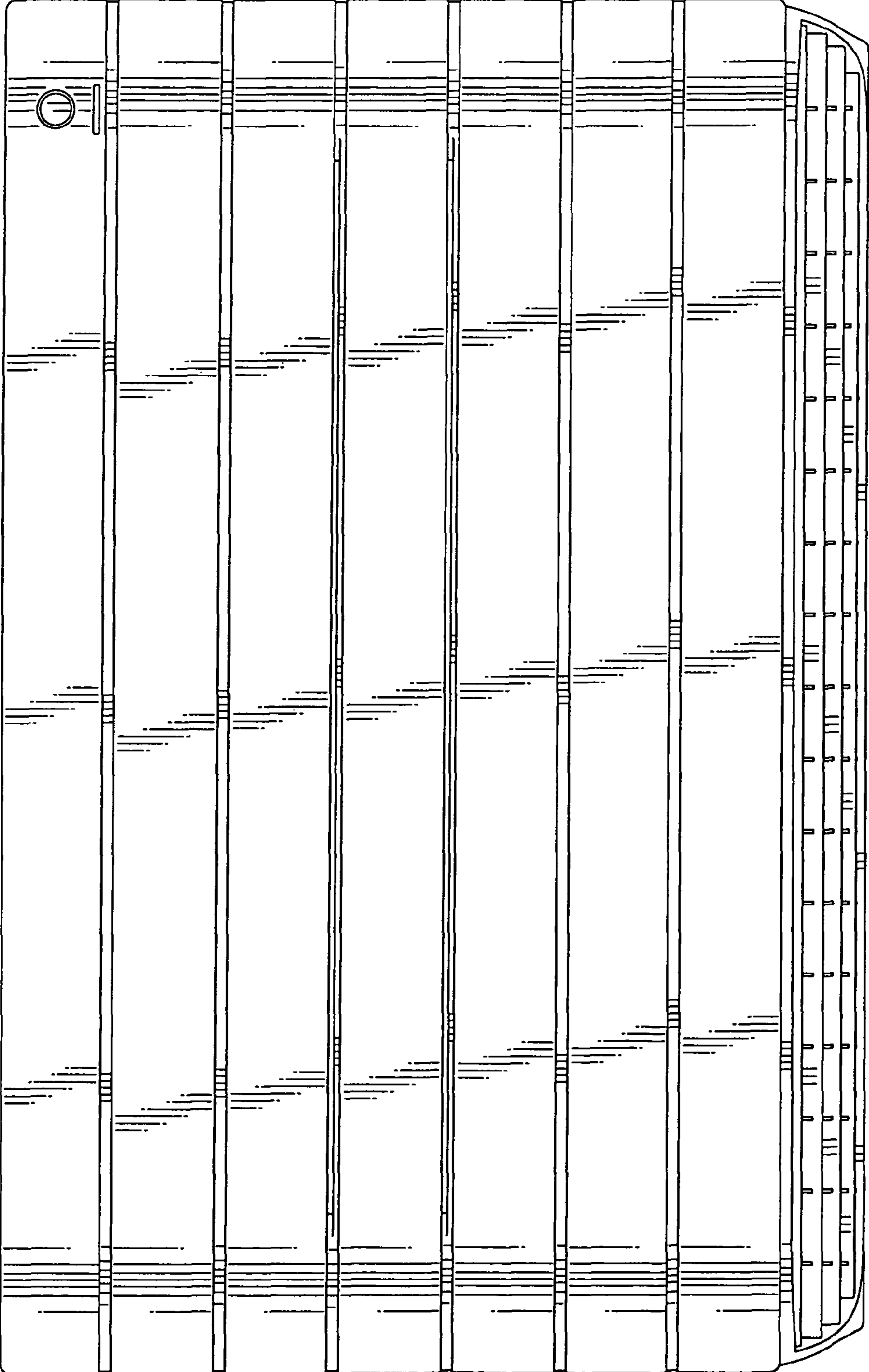


Fig. 2

8 ↙



8 ↘

Fig. 3

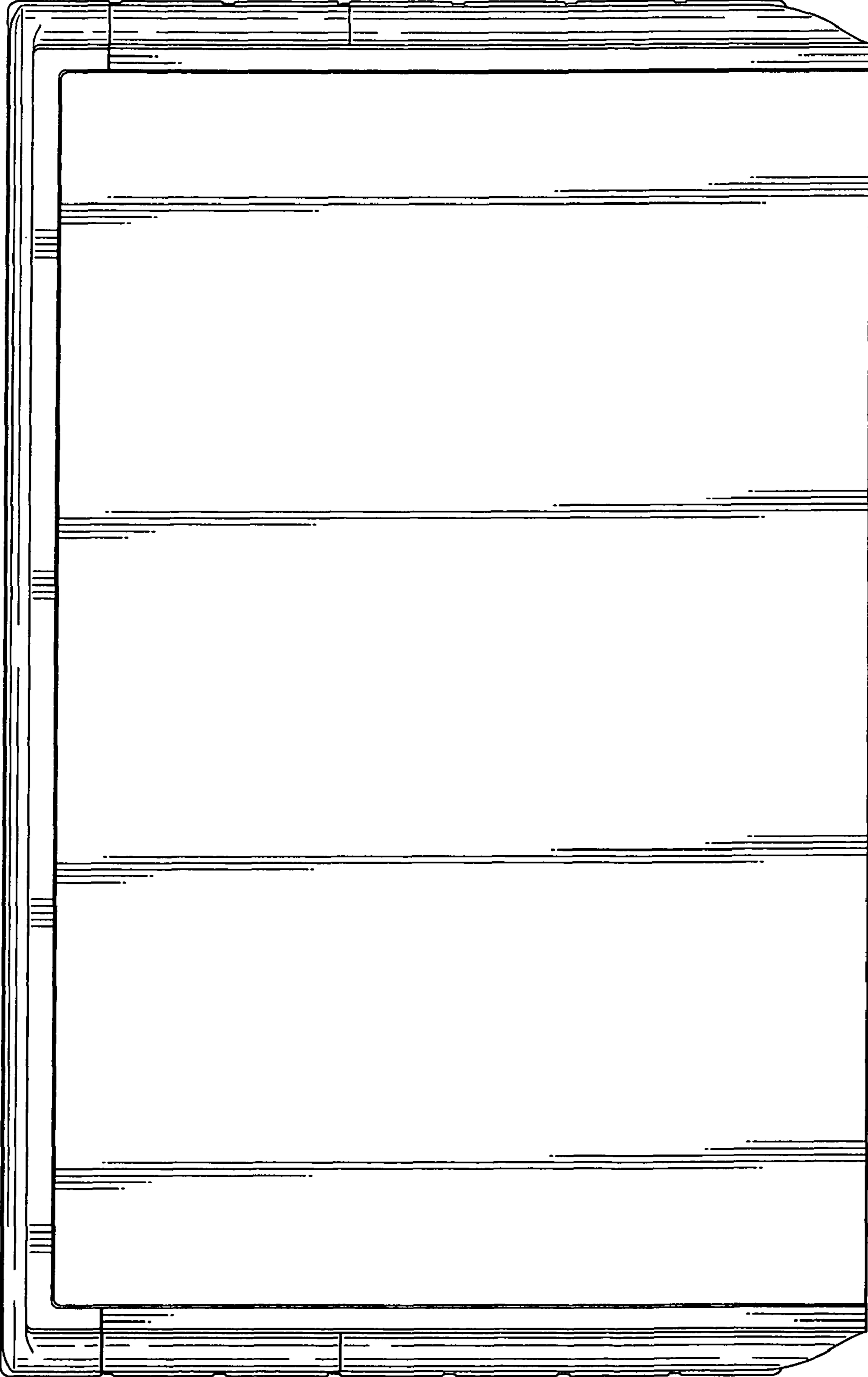


Fig. 4

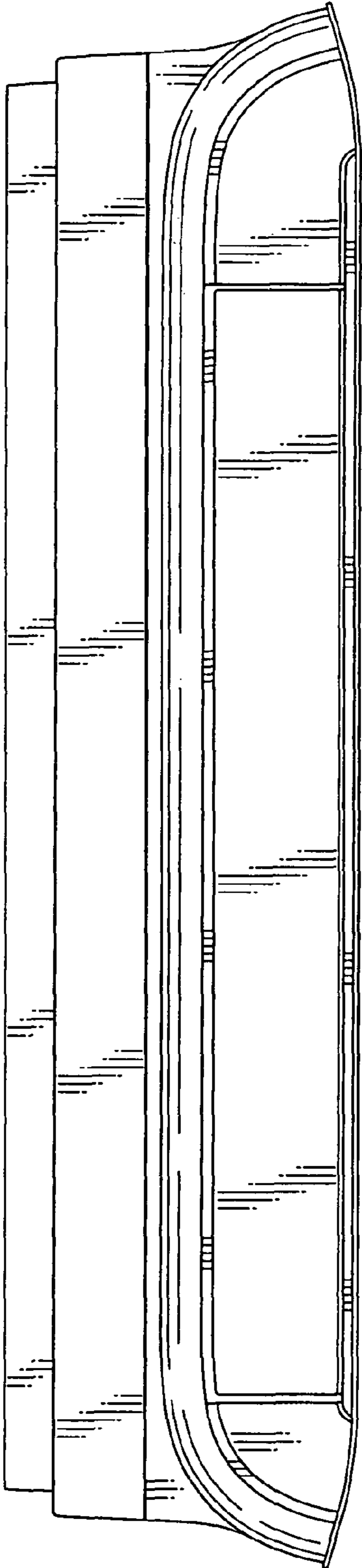


Fig. 5

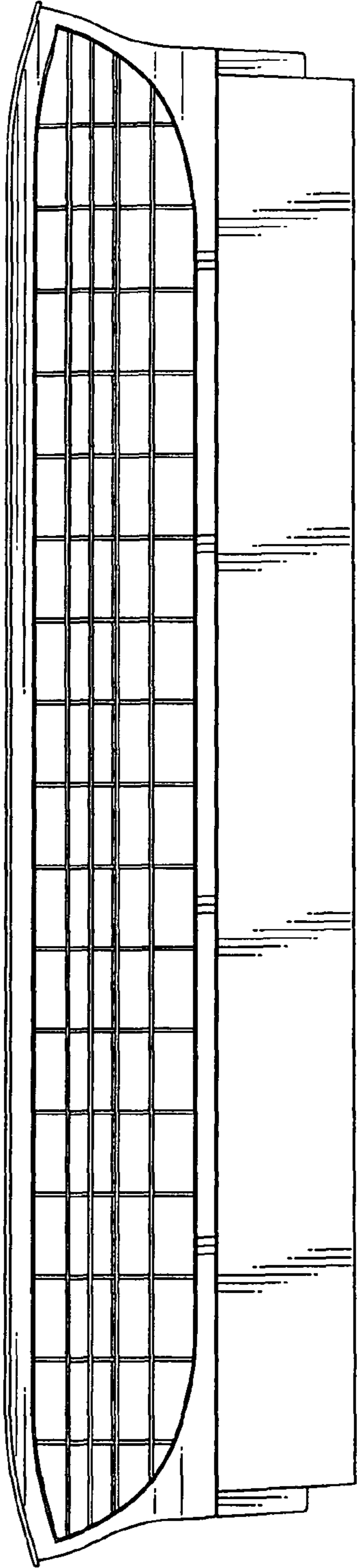


Fig. 7

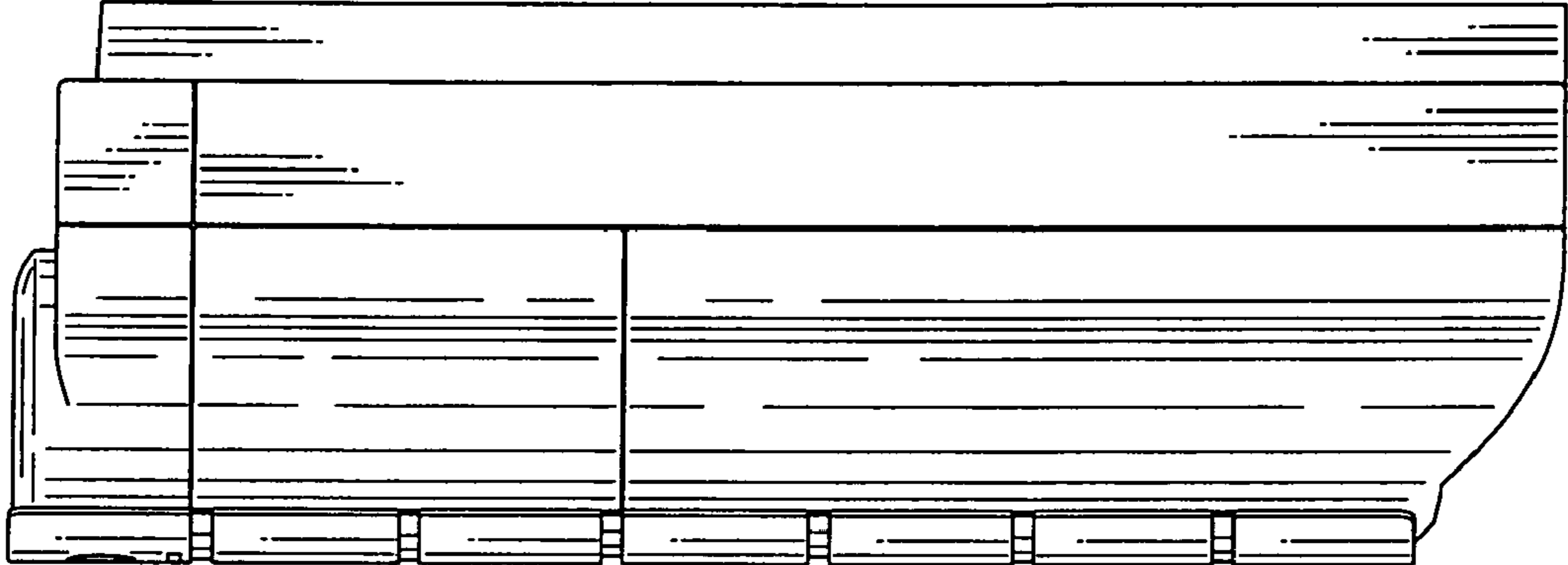


Fig. 6

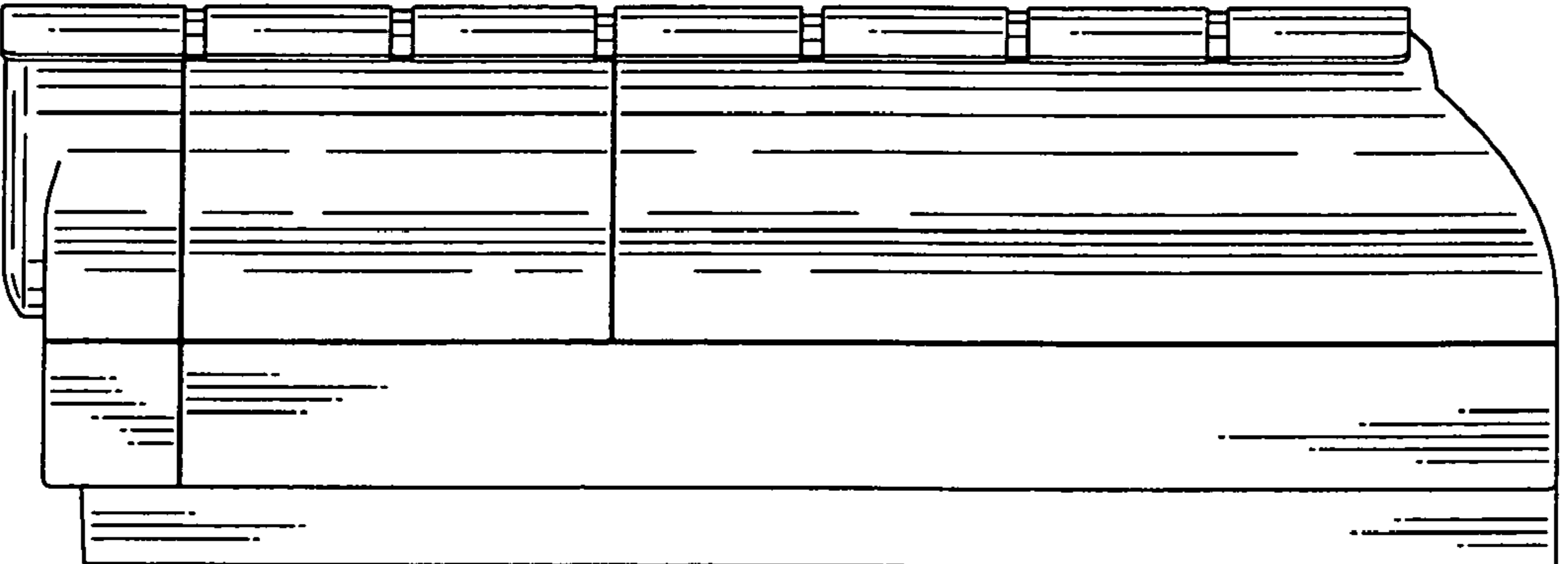


Fig. 8

