



US00D641846S

(12) **United States Design Patent**
Seki

(10) **Patent No.:** **US D641,846 S**

(45) **Date of Patent:** **** Jul. 19, 2011**

(54) **AIR CONDITIONER**

(75) Inventor: **Kouichirou Seki, Kusatsu (JP)**

(73) Assignee: **Daikin Industries Ltd., Osaka (JP)**

(**) Term: **14 Years**

(21) Appl. No.: **29/371,241**

(22) Filed: **Dec. 13, 2010**

(30) **Foreign Application Priority Data**

Jun. 23, 2010 (JP) 2010-015411

(51) **LOC (9) Cl.** **23-04**

(52) **U.S. Cl.** **D23/351**

(58) **Field of Classification Search** D23/351-354,
D23/385, 355, 357, 361; 312/236; 62/259.1,
62/259.4, 262-263, 304; 454/330-331, 349-350
See application file for complete search history.

(56) **References Cited**

U.S. PATENT DOCUMENTS

D450,823 S *	11/2001	Kobayashi	D23/351
D529,595 S *	10/2006	Ueno et al.	D23/351
D536,430 S *	2/2007	Miyake et al.	D23/351
D539,889 S *	4/2007	Chooji	D23/351
D550,822 S *	9/2007	Shimizu et al.	D23/351
D553,721 S *	10/2007	Seki et al.	D23/351
D558,866 S *	1/2008	Yamamoto	D23/351
D565,158 S *	3/2008	Nagahori	D23/351
D579,095 S *	10/2008	Nagahori et al.	D23/351
D580,035 S *	11/2008	Seki	D23/351
D587,793 S *	3/2009	Seki	D23/351
D605,265 S *	12/2009	Nakamura et al.	D23/351
D605,267 S *	12/2009	Nakamura et al.	D23/351

D613,384 S *	4/2010	Ohta	D23/351
D613,842 S *	4/2010	Yamashita	D23/351
D613,843 S *	4/2010	Ohta	D23/351
D616,083 S *	5/2010	Saitou	D23/351
D619,234 S *	7/2010	Nakamura et al.	D23/351
D621,018 S *	8/2010	Nagahori et al.	D23/351
D621,920 S *	8/2010	Yamana et al.	D23/351
D624,167 S *	9/2010	Mishiro et al.	D23/351
D624,168 S *	9/2010	Aketa et al.	D23/351
D628,686 S *	12/2010	Motonishi et al.	D23/351
D632,769 S *	2/2011	Seki	D23/351

* cited by examiner

Primary Examiner — Brian N Vinson

(74) *Attorney, Agent, or Firm* — Manabu Kanesaka

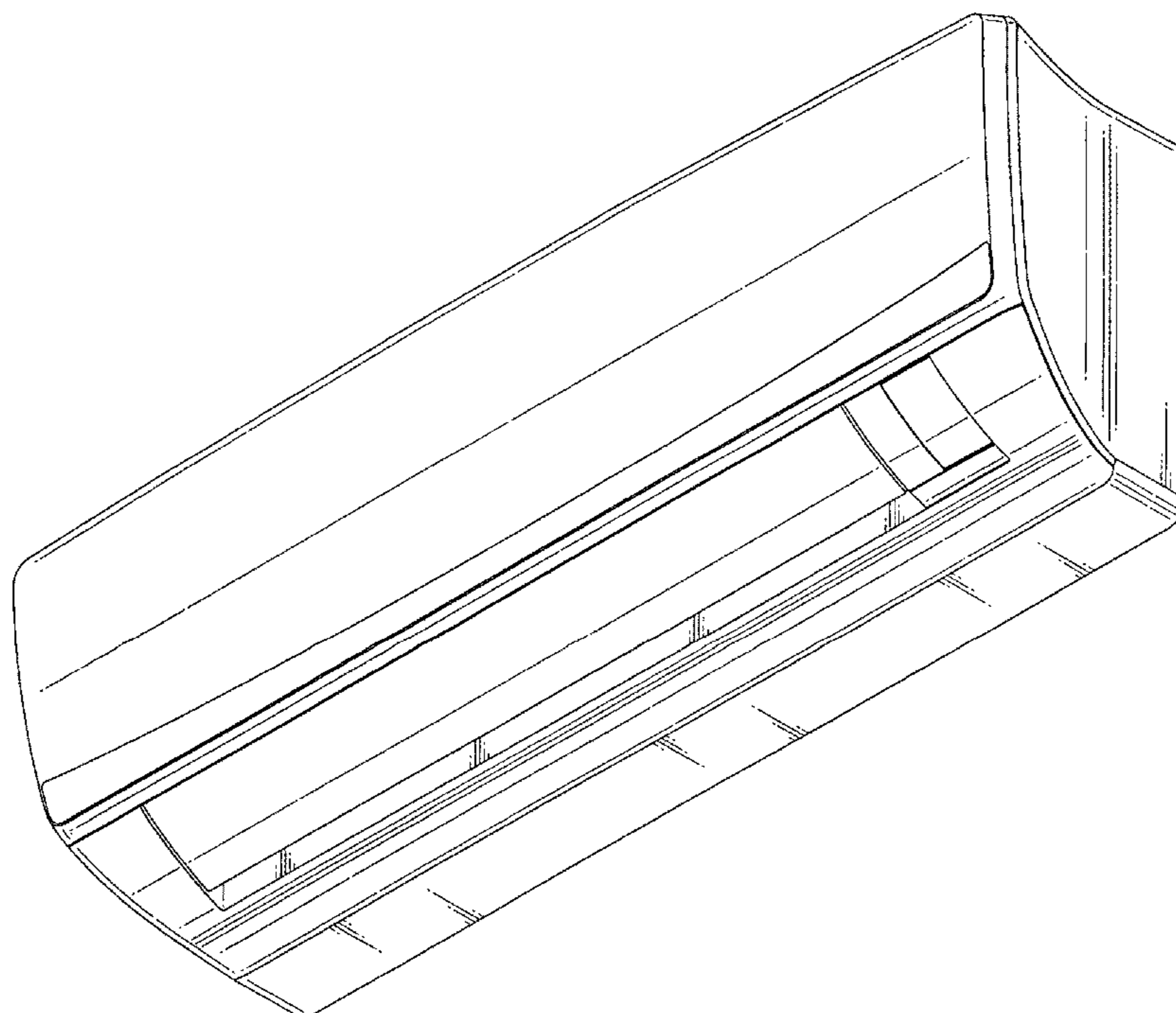
(57) **CLAIM**

The ornamental design for an air conditioner, as shown and described.

DESCRIPTION

FIG. 1 is a front, bottom, and right side perspective view of an air conditioner showing my new design; FIG. 2 is a front elevational view thereof; FIG. 3 is a elevational view thereof; FIG. 4 is a top plan view thereof; FIG. 5 is a bottom plan view thereof; FIG. 6 is a left side elevational view thereof; FIG. 7 is a right side elevational view thereof; and, FIG. 8 is an enlarged vertical cross-sectional view thereof taken along line 8—8 in FIG. 2, with the broken-line disclosure understood to show internal elements which are part of the article in which the claimed design is embodied, but which form no part of the claimed design.

1 Claim, 5 Drawing Sheets



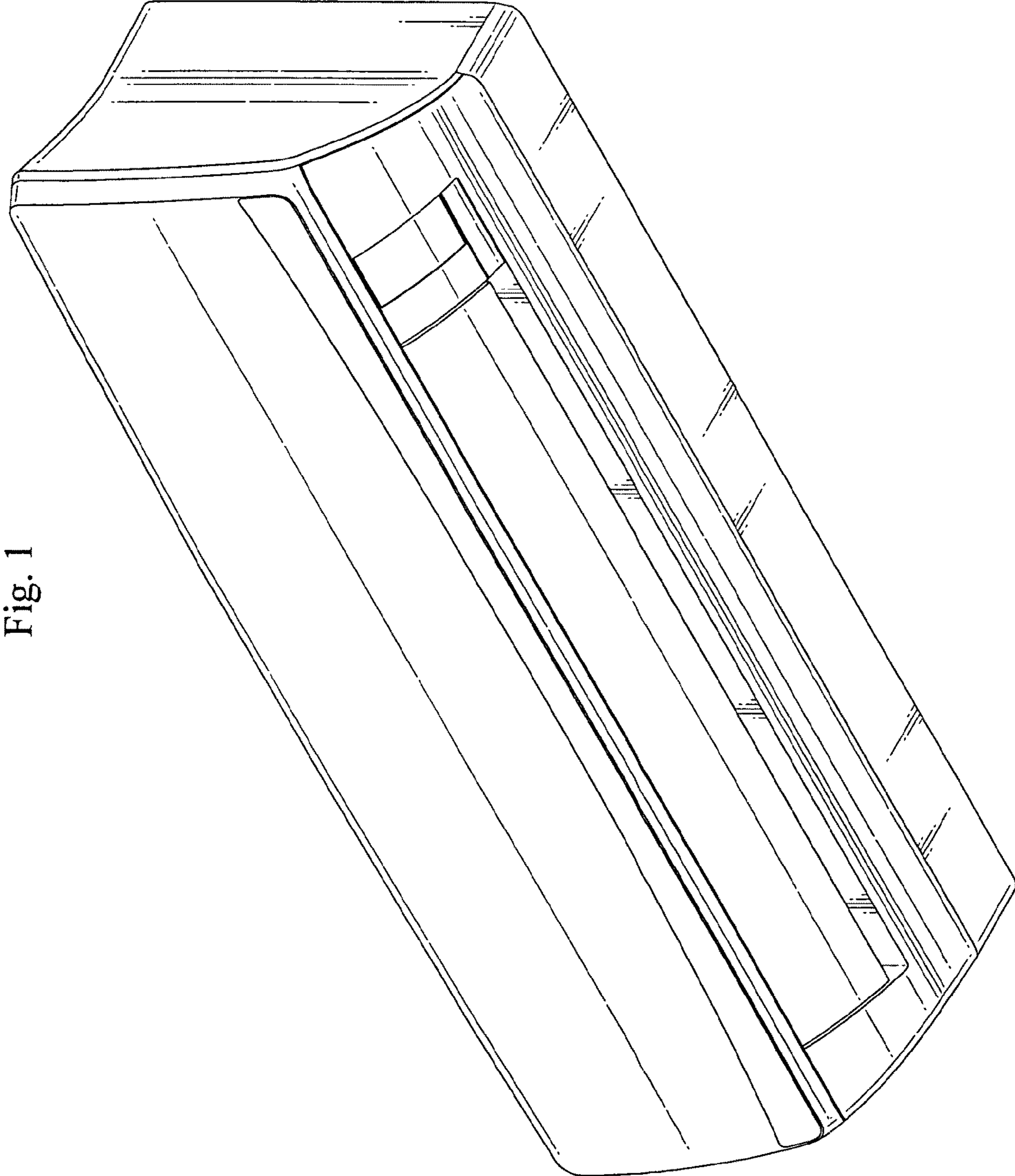
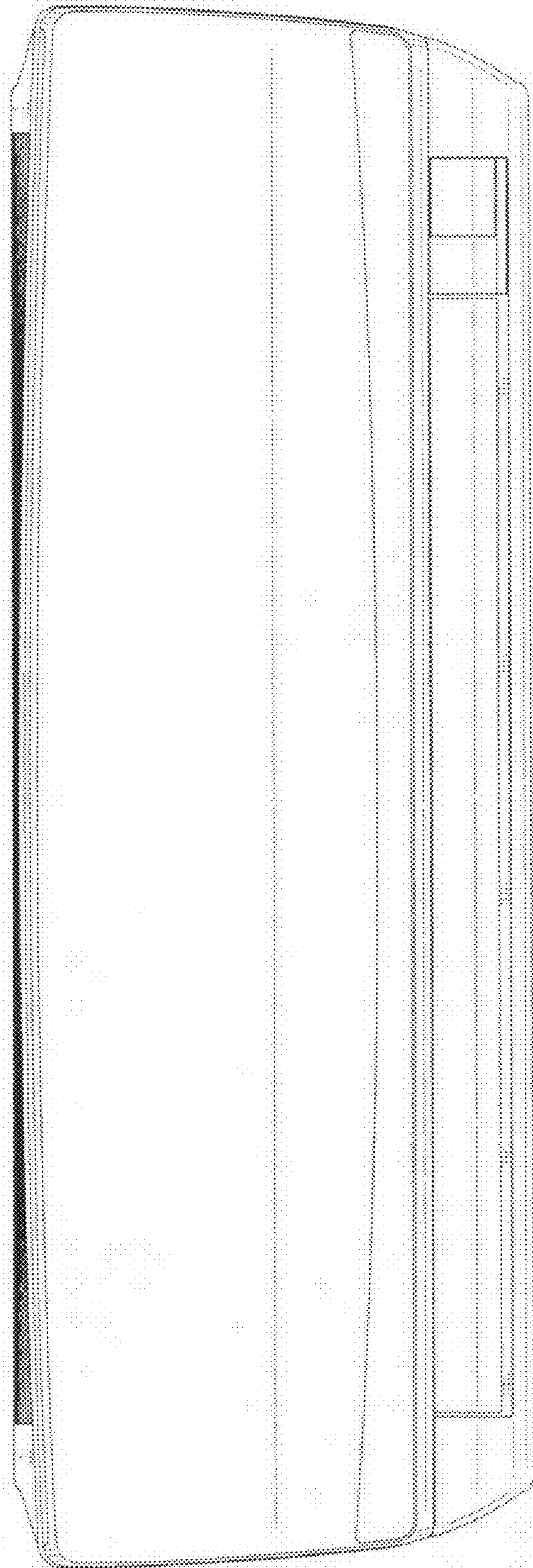


Fig. 1

Fig. 2

8



8

Fig. 3

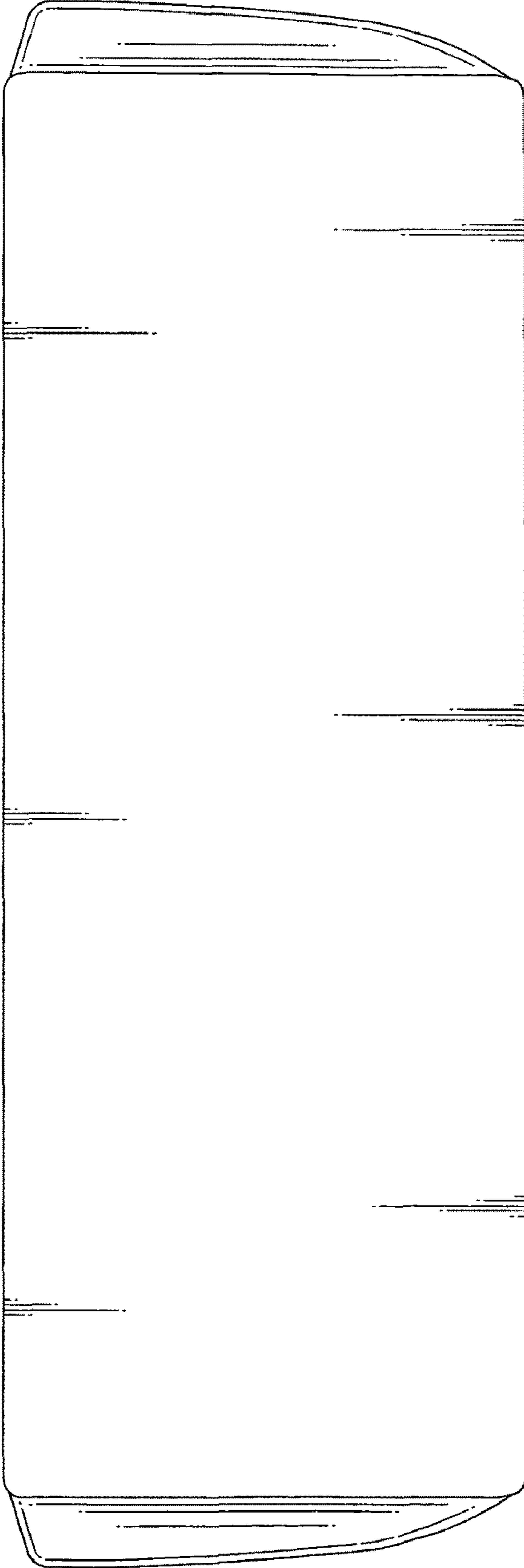


Fig. 4

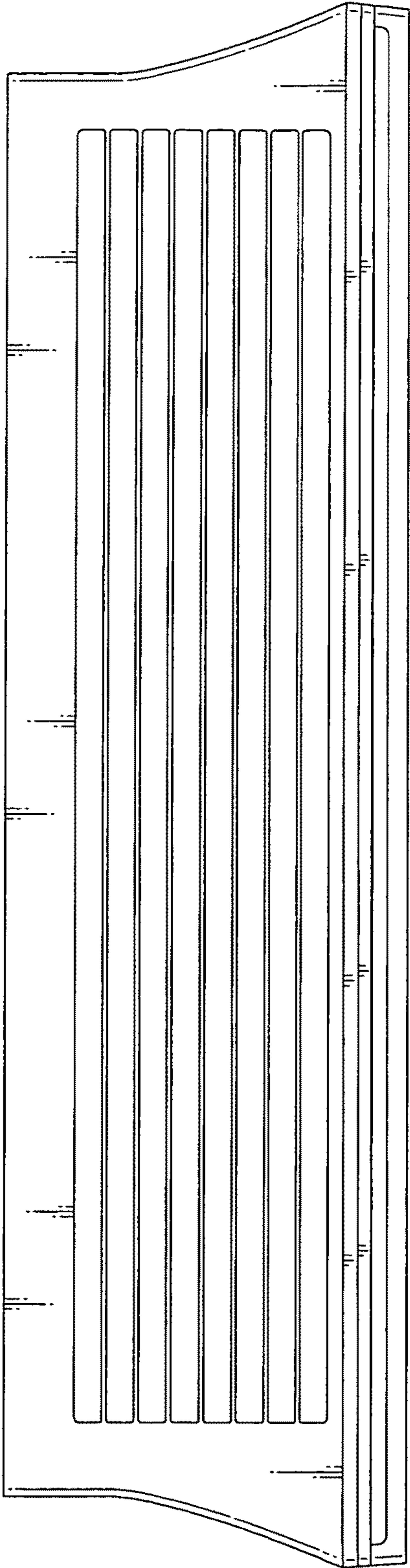


Fig. 5

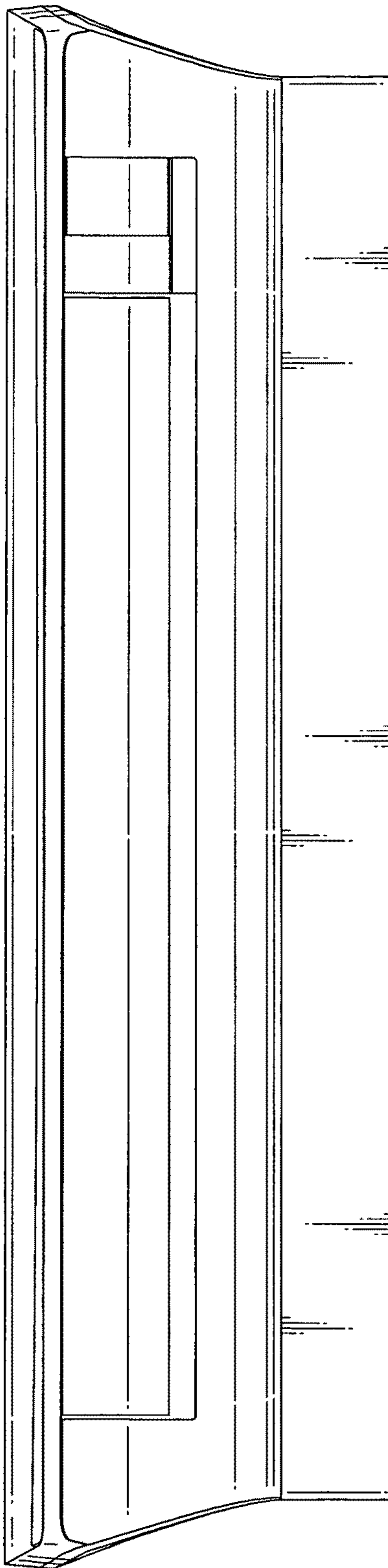


Fig. 8

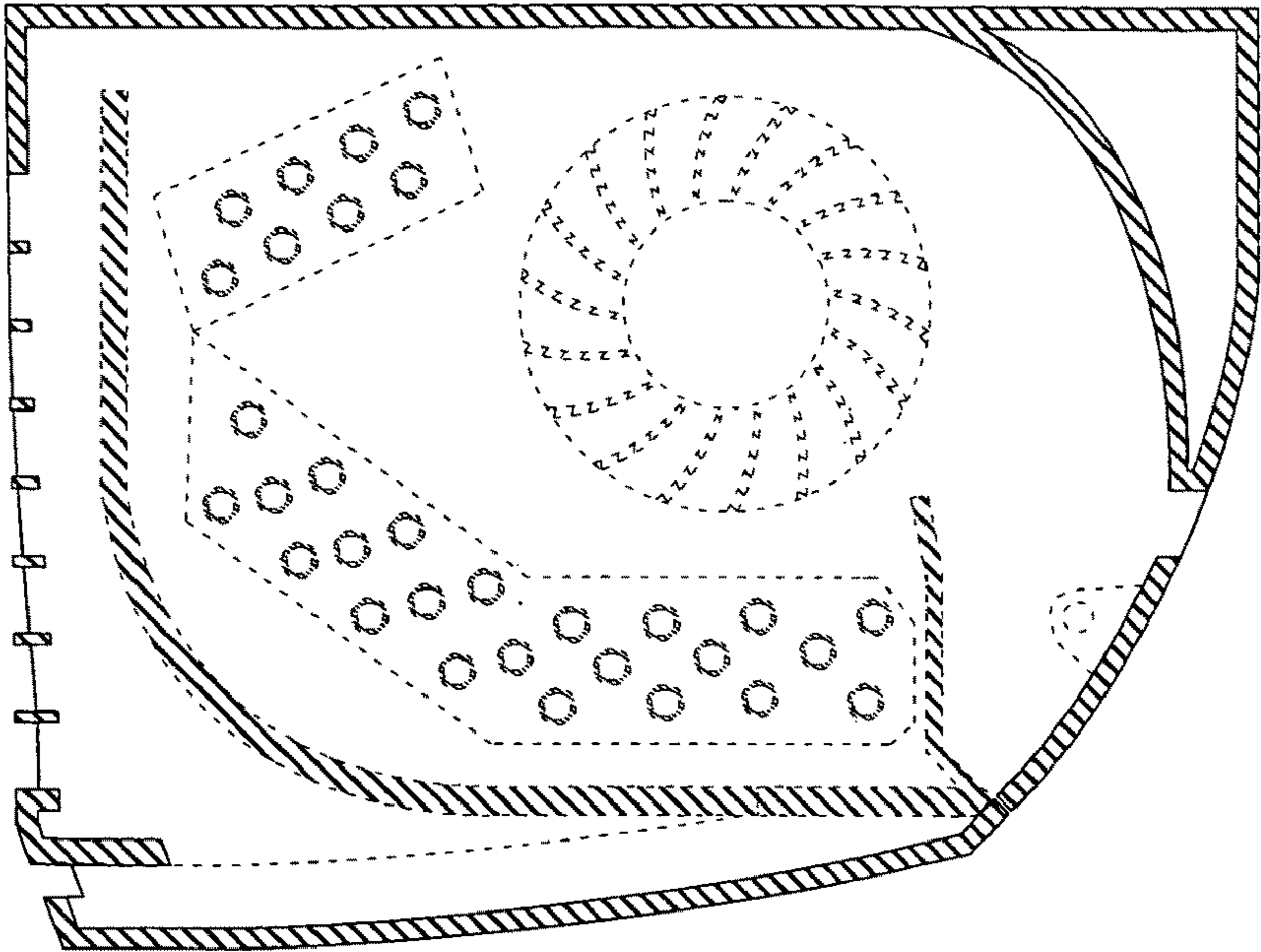


Fig. 7

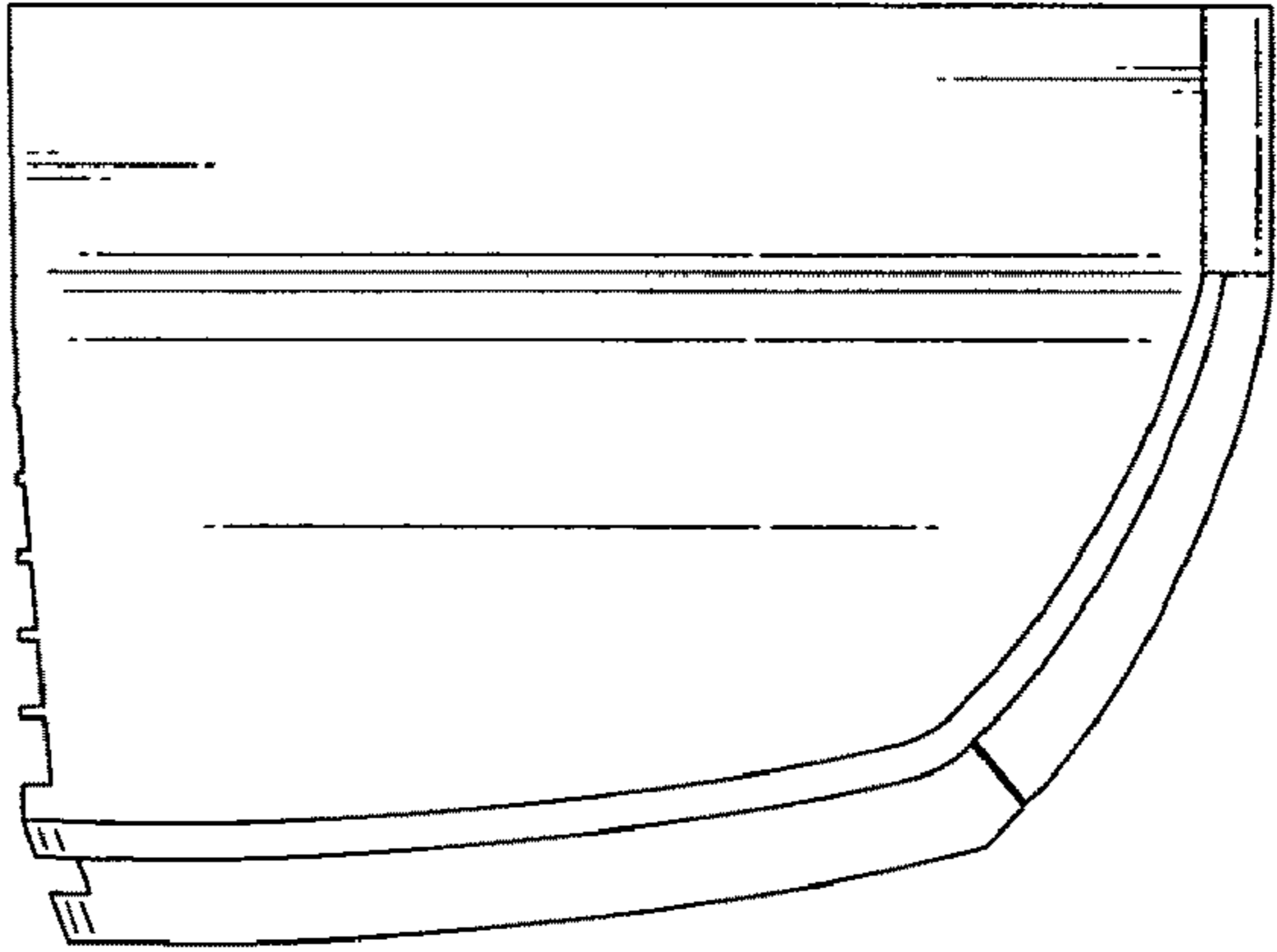


Fig. 6

