



US00D641843S

(12) **United States Design Patent**  
**Thomas**

(10) **Patent No.:** **US D641,843 S**

(45) **Date of Patent:** **\*\* Jul. 19, 2011**

(54) **BAG FOR MOUNTING IN A TOILET OR  
COMMODOE FOR RECEIVING HUMAN  
WASTE**

(76) Inventor: **Enda Thomas**, Enfield (GB)

(\*\*) Term: **14 Years**

(21) Appl. No.: **29/359,327**

(22) Filed: **Apr. 8, 2010**

(30) **Foreign Application Priority Data**

Oct. 9, 2009 (GB) ..... 4012781

(51) **LOC (9) Cl.** ..... **23-02**

(52) **U.S. Cl.** ..... **D23/309**

(58) **Field of Classification Search** ..... D23/311,  
D23/303, 309; 4/416, 315, 451-452, 222.1;  
D7/667

See application file for complete search history.

(56) **References Cited**

**U.S. PATENT DOCUMENTS**

3,771,493 A \* 11/1973 Chandor ..... 119/170  
4,075,107 A \* 2/1978 Smith ..... 210/493.1

4,720,880 A \* 1/1988 Barreau ..... 4/661  
D318,001 S \* 7/1991 Gavin et al. .... D7/667  
5,778,458 A \* 7/1998 Speelman ..... 4/452  
D402,739 S \* 12/1998 McClements ..... D23/309  
6,704,948 B2 \* 3/2004 Shirkey ..... 4/479  
D617,895 S \* 6/2010 Aguila ..... D24/122

\* cited by examiner

*Primary Examiner* — Robert Delehanty

(74) *Attorney, Agent, or Firm* — Meyertons, Hood, Kivlin,  
Kowert & Goetzel, P.C.; Eric B. Meyertons

(57) **CLAIM**

The design of the bag for mounting in a toilet or commode for receiving human waste, as shown and described.

**DESCRIPTION**

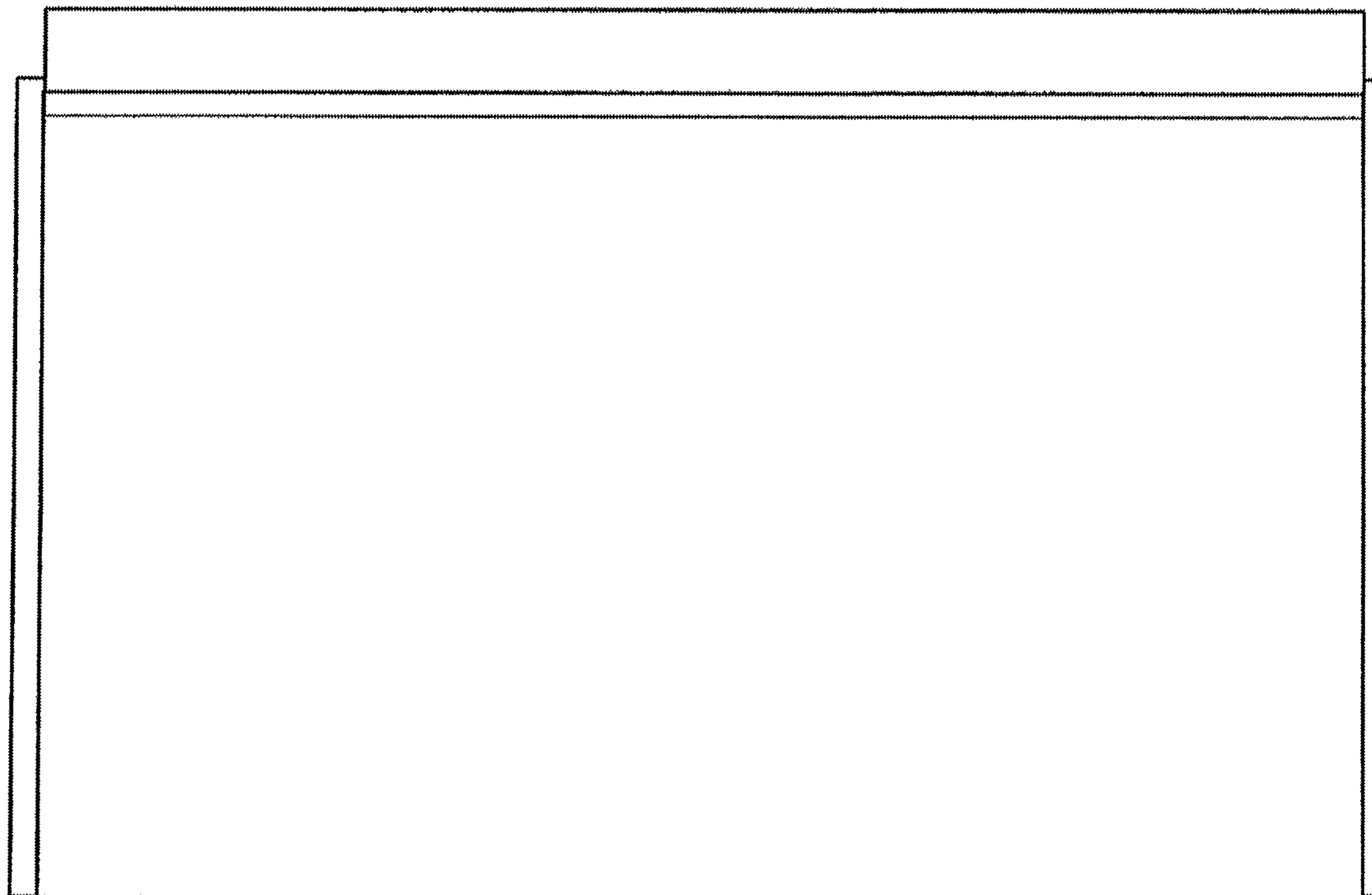
FIG. 1 is a front view of a bag for mounting in a toilet or commode for receiving human waste.

FIG. 2 is a side view of the bag.

FIG. 3 is a top view of the bag; and,

FIG. 4 is a perspective view of the bag.

**1 Claim, 4 Drawing Sheets**



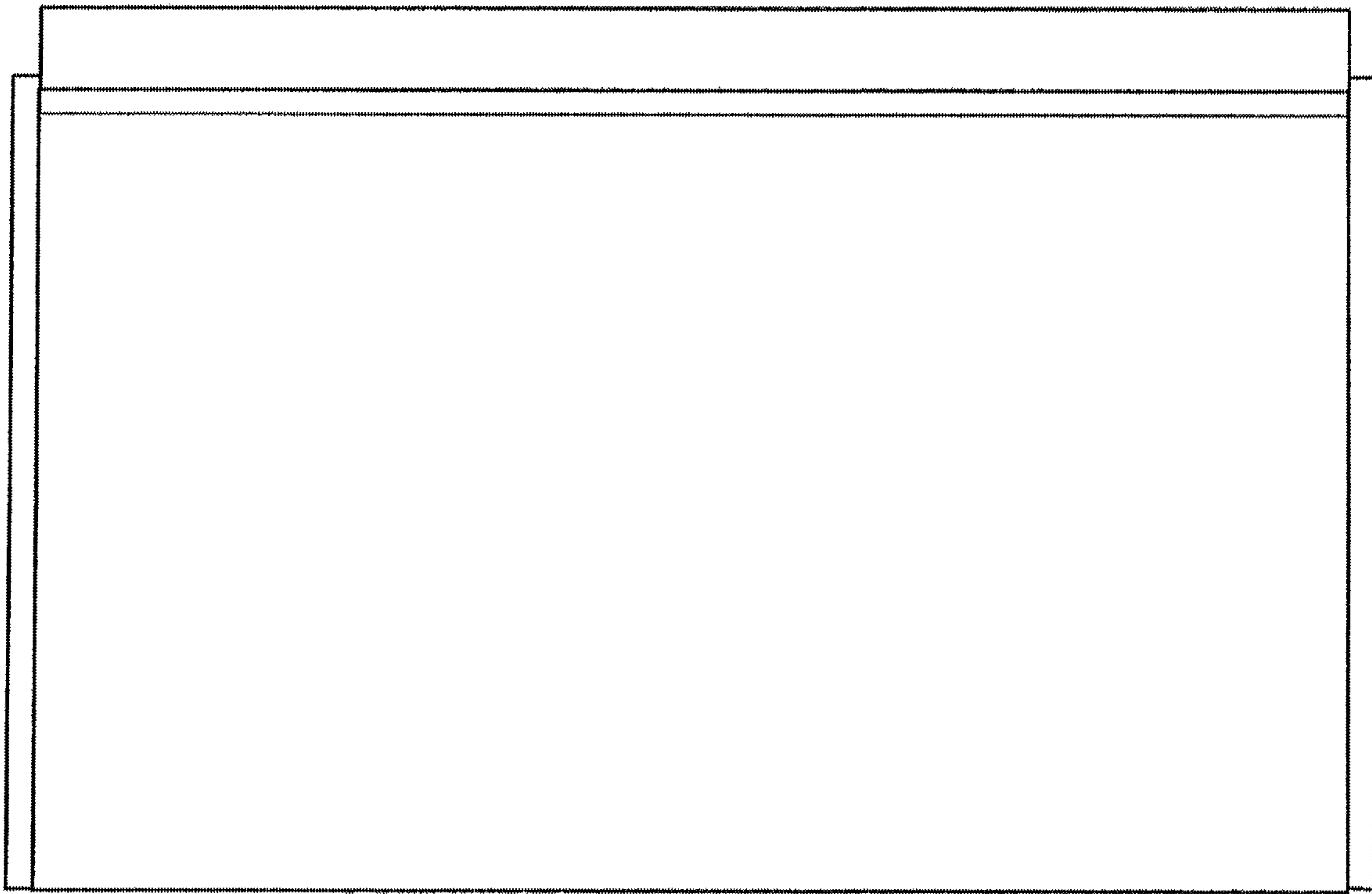


FIG. 1

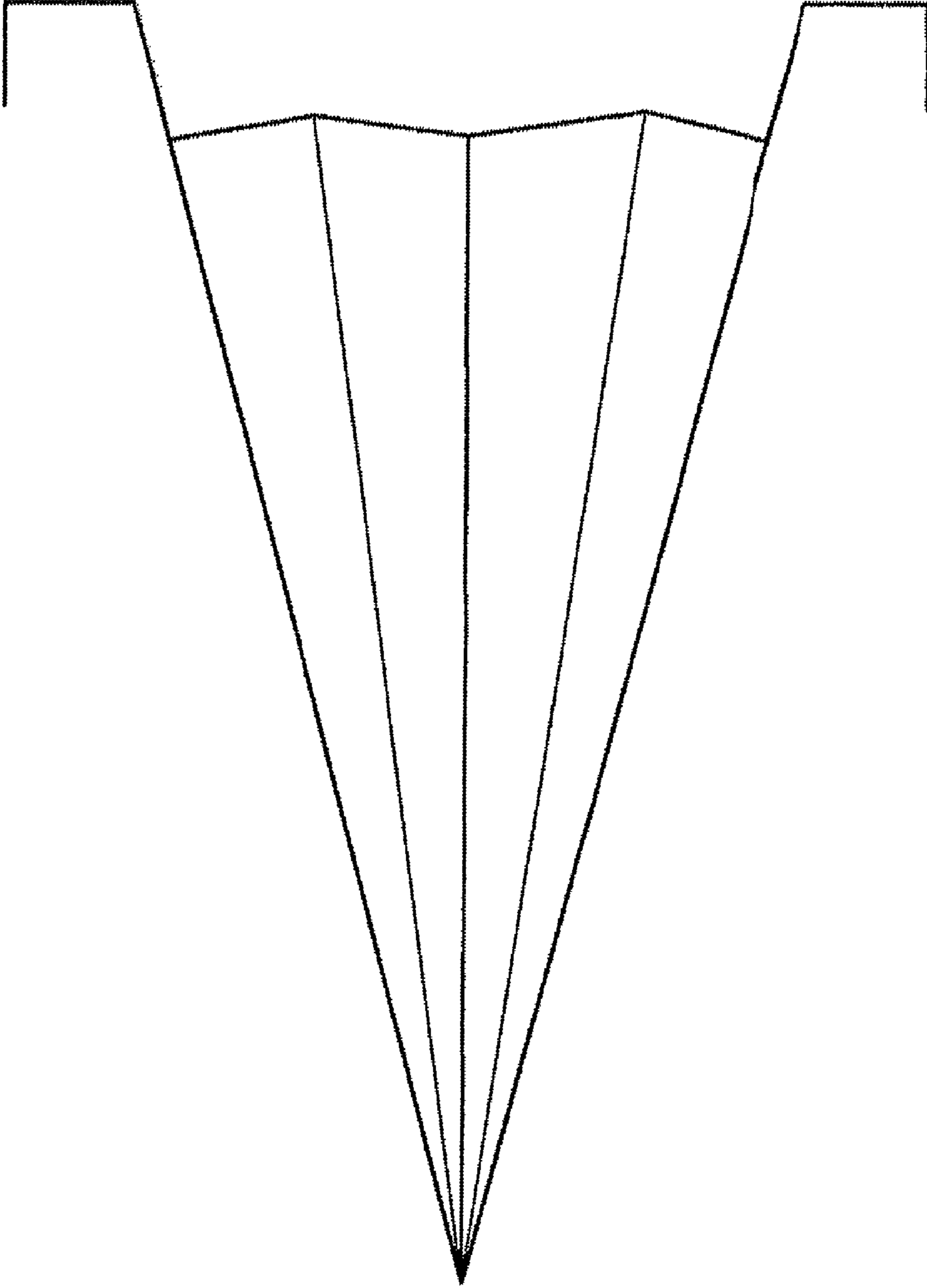


FIG. 2

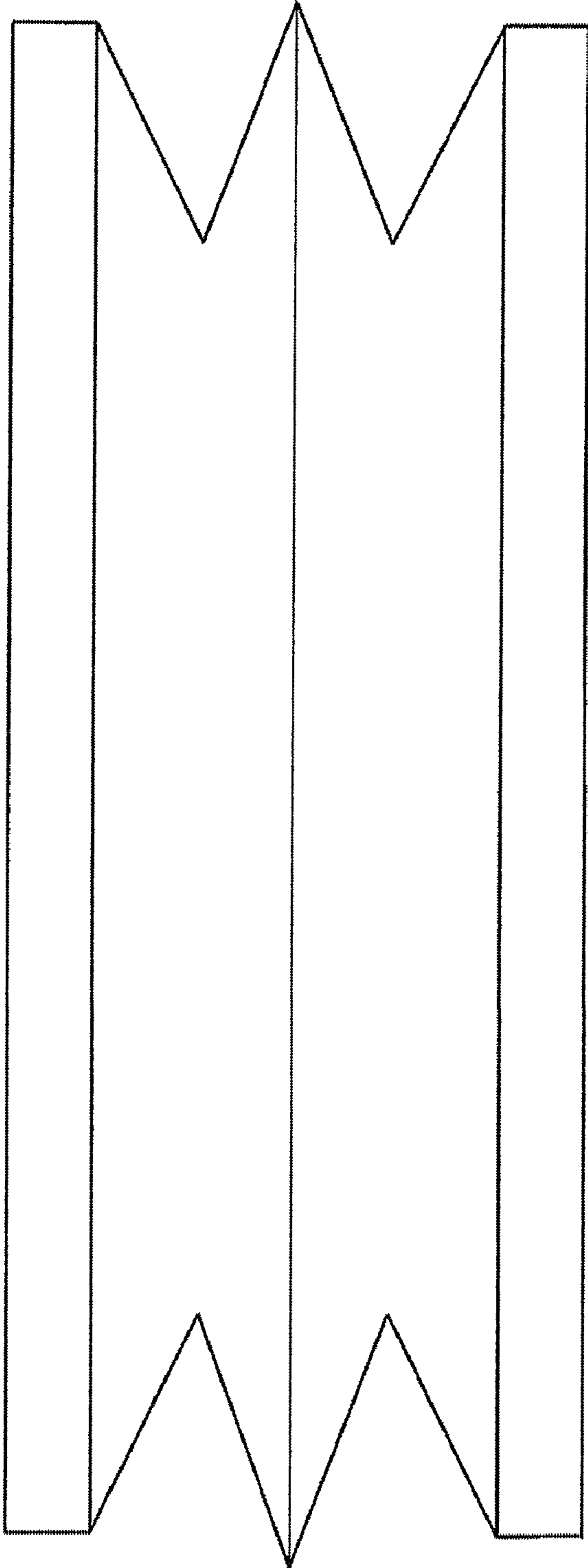


FIG. 3

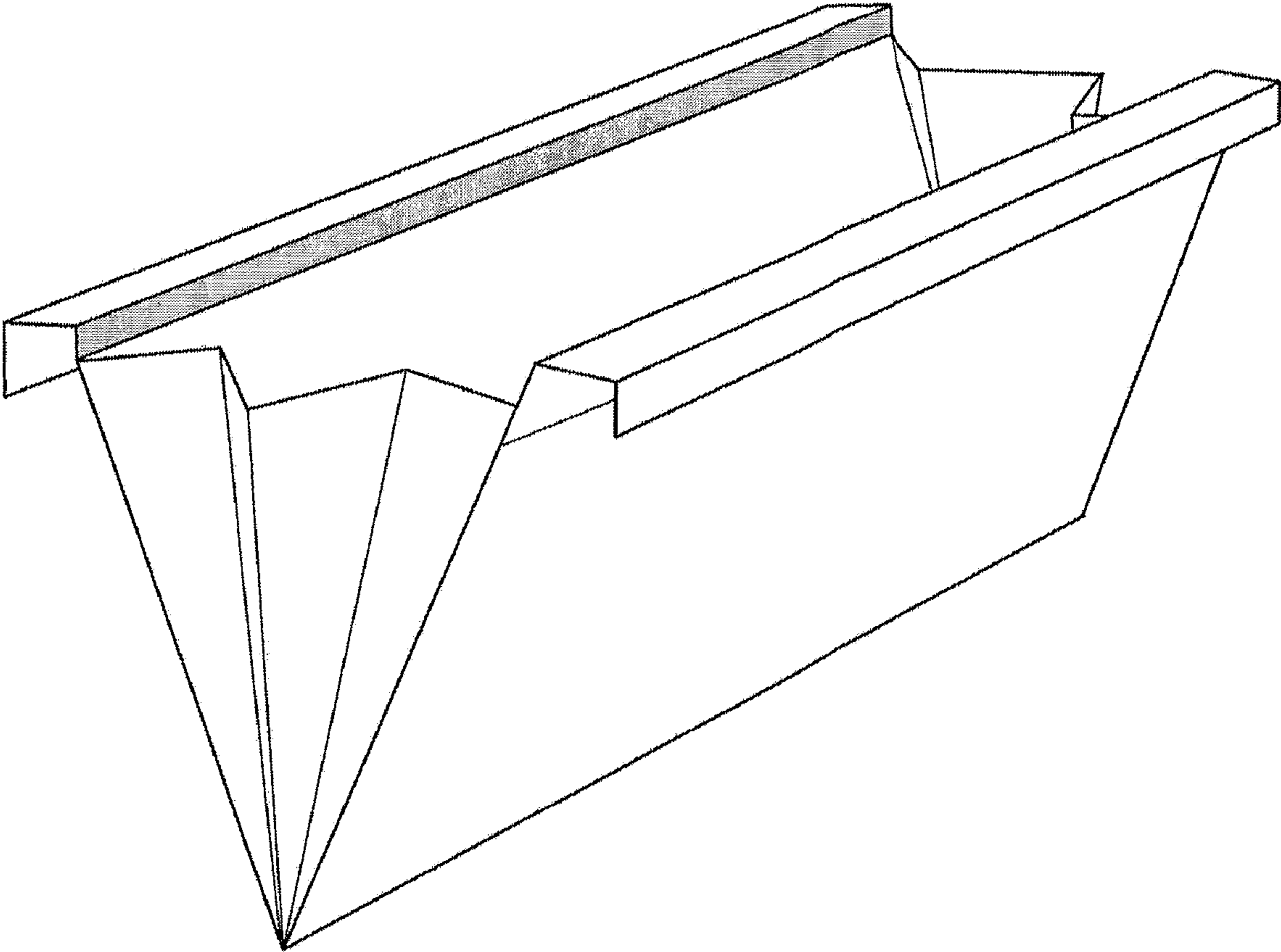


FIG. 4