



US00D641842S

(12) **United States Design Patent**
Loberger et al.

(10) **Patent No.:** **US D641,842 S**
(45) **Date of Patent:** **** Jul. 19, 2011**

(54) **LAVATORY**

(75) Inventors: **John M. Loberger**, Germantown, WI (US); **Glenn T. Walters**, Port Washington, WI (US); **Richard S. Walters**, Hugo, MN (US)

(73) Assignee: **Bradley Fixtures Corporation**, Menomonee Falls, WI (US)

(**) Term: **14 Years**

(21) Appl. No.: **29/379,997**

(22) Filed: **Nov. 29, 2010**

Related U.S. Application Data

(63) Continuation of application No. 29/355,836, filed on Feb. 15, 2010, now Pat. No. Des. 628,280, which is a continuation of application No. 29/333,764, filed on Mar. 13, 2009, now Pat. No. Des. 610,242, which is a continuation of application No. 29/303,701, filed on Feb. 14, 2008, now Pat. No. Des. 588,676.

(51) **LOC (9) Cl.** **23-01**

(52) **U.S. Cl.** **D23/308**

(58) **Field of Classification Search** D23/271-274, D23/284-293.1, 303, 308; 4/619, 660, 663-664, 4/630, 638, 624; D6/397, 419, 432, 445
See application file for complete search history.

(56) **References Cited**

U.S. PATENT DOCUMENTS

D287,748 S * 1/1987 Landan et al. D23/286
D338,949 S * 8/1993 Paulin et al. D23/271
5,369,818 A * 12/1994 Barnum et al.
5,611,093 A * 3/1997 Barnum et al.
D398,969 S * 9/1998 Barnum et al.
D433,109 S * 10/2000 Wilke et al.
D447,224 S * 8/2001 Barnum et al.
D477,060 S * 7/2003 Loberger et al.

6,643,865 B2 * 11/2003 Bork et al.
D496,450 S * 9/2004 Loberger et al.
7,039,963 B2 * 5/2006 Loberger et al.
D578,188 S * 10/2008 Hardesty D23/308

OTHER PUBLICATIONS

Bradley Corporation, "School Solutions, A higher Dedication to your Design Needs," © 1999 Bradley Corporation, 6 pages.
Bradley Corporation, "Frequency Lavatory Systems," © Bradley Corp 2005, 4 pages.
Bradley Corporation, "Plumbing Fixtures," publicly available by Feb. 14, 2008, 10 pages.

(Continued)

Primary Examiner — Robert Delehanty
(74) *Attorney, Agent, or Firm* — Foley & Lardner LLP

(57) **CLAIM**

We claim the ornamental design for a lavatory, as shown and described.

DESCRIPTION

FIG. 1 is a perspective view of a first embodiment of a lavatory.

FIG. 2 is a front elevation view of the lavatory of FIG. 1.

FIG. 3 is a top plan view of the lavatory of FIG. 1.

FIG. 4 is a right-side elevation view of the lavatory of FIG. 1.

FIG. 5 is a left-side elevation view of the lavatory of FIG. 1.

FIG. 6 is a perspective view of a second embodiment of a lavatory.

FIG. 7 is a front elevation view of the lavatory of FIG. 2.

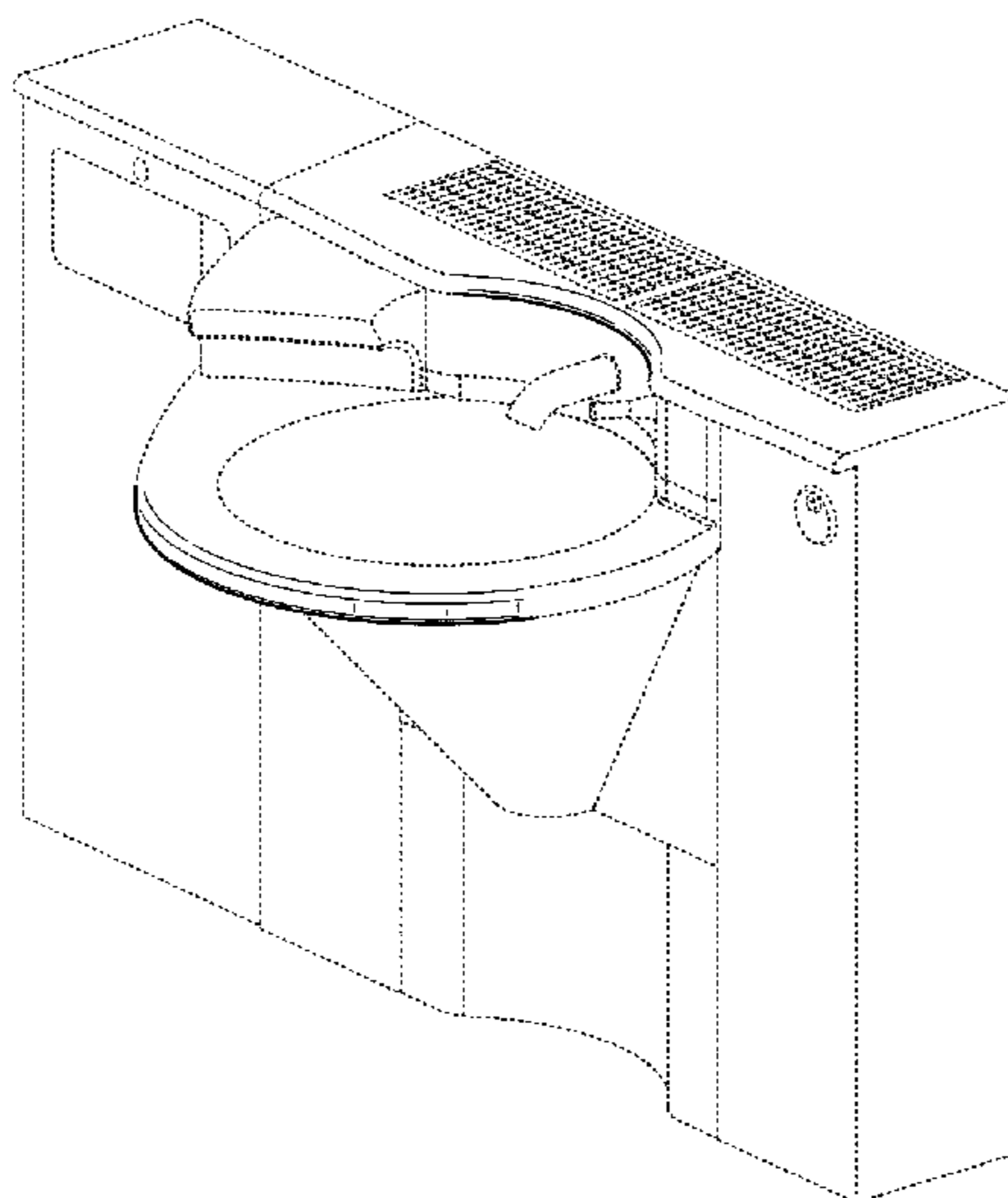
FIG. 8 is a top plan view of the lavatory of FIG. 2.

FIG. 9 is a right-side elevation view of the lavatory of FIG. 2. and,

FIG. 10 is a left-side elevation view of the lavatory of FIG. 2.

The ornamental design which is claimed is shown in solid lines in the drawings. The broken lines in the drawings are for illustrative purposes only and form no part of the claimed design.

1 Claim, 10 Drawing Sheets



OTHER PUBLICATIONS

Bradley Corporation, "The ndite™ story," publicly available by Feb. 14, 2008, 2 pages.

Bradley Corporation, "Commercial Washroom Solutions," publicly available by Feb. 14, 2008, 4 pages.

Bradley Corporation, "Total Terreon Concept," © Bradley Corp 2004, 2 pages.

Bradley Corporation, "Terreon Lav Decks," 201 Bradley Corp 2004, 2 pages.

Bradley Corporation, "Express Lavatory Systems," © Bradley Corp 2004, 4 pages.

Bradley Corporation, "Frequency Lavatory Systems," © Bradley Corp 2004, 4 pages.

Bradley Corporation, "Terreon Washfountains," © Bradley Corp 2004, 2 pages.

Bradley Corporation, "Sentry Washfountains," © Bradley Corp 2004, 2 pages.

Bradley Corporation, "Classic Washfountains," © Bradley Corp 2004, 2 pages.

Bradley Corporation, "Multi-Fount Washfountains," © Bradley Corp 2004, 2 pages.

Bradley Corporation, "Application Guide," © Bradley Corp 2004, 2 pages.

Bradley Corporation, "Frequency Lavatory Systems," © Bradley Corp 2005, 4 pages.

* cited by examiner

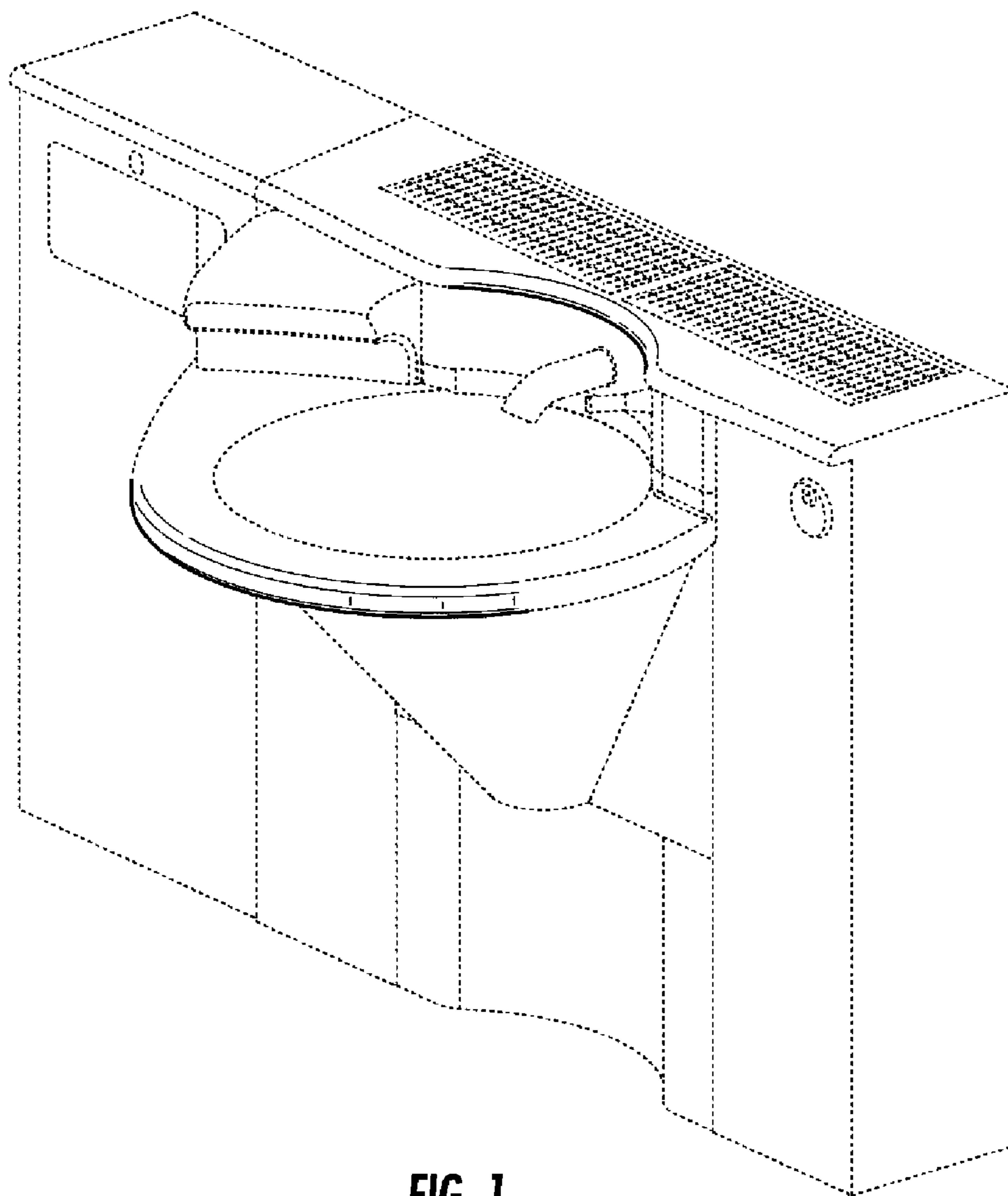


FIG. 1

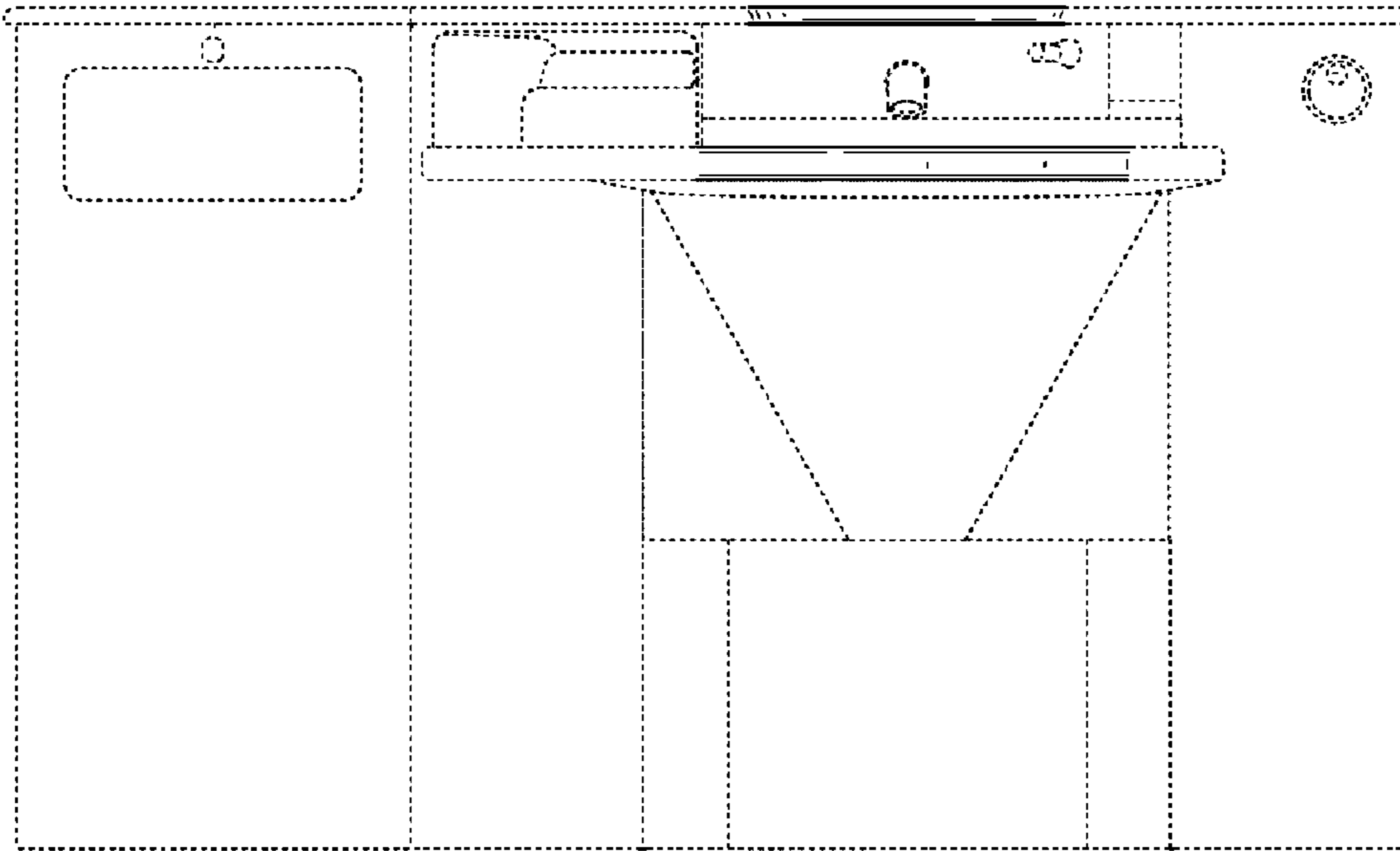


FIG. 2

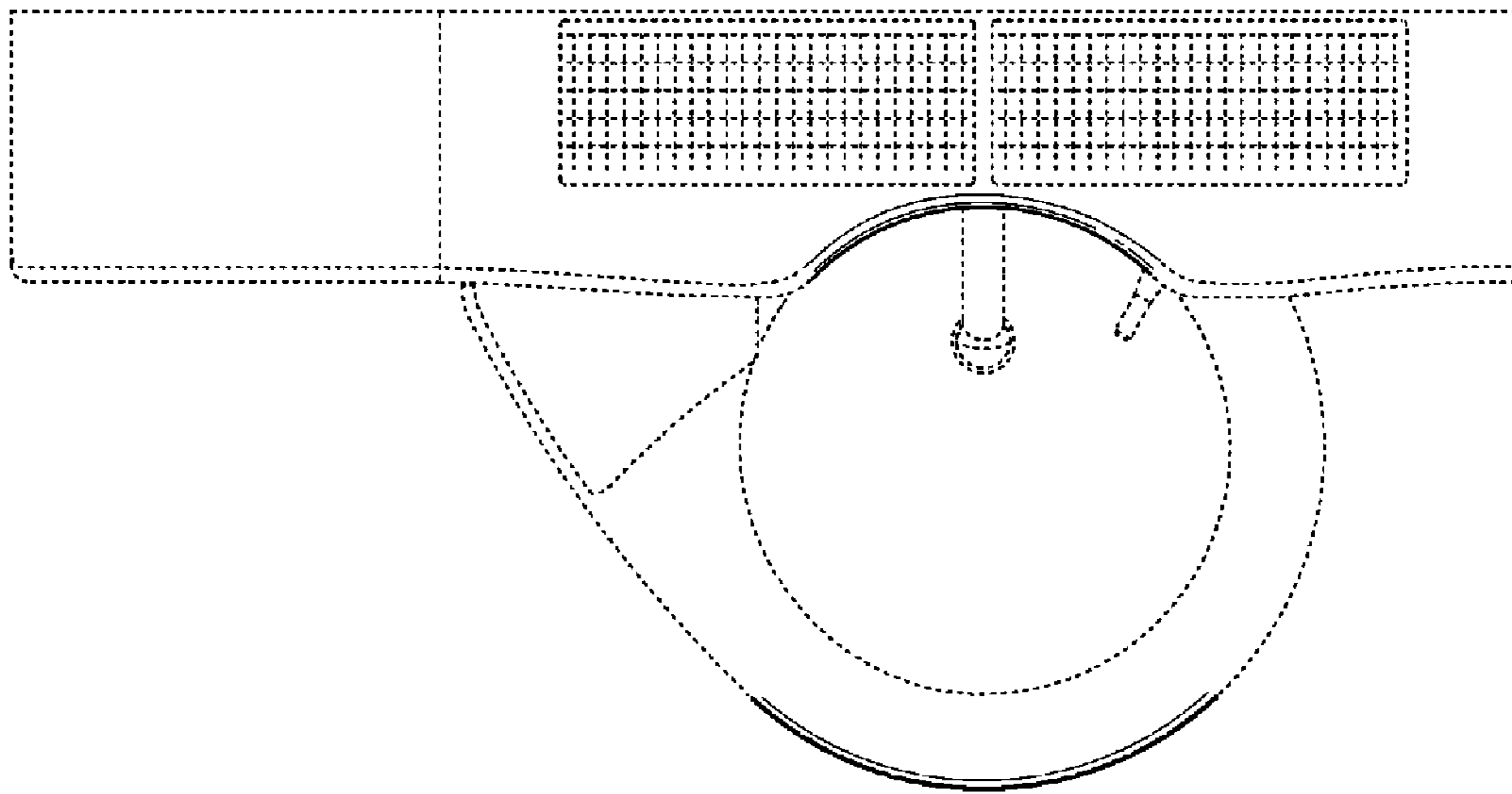


FIG. 3

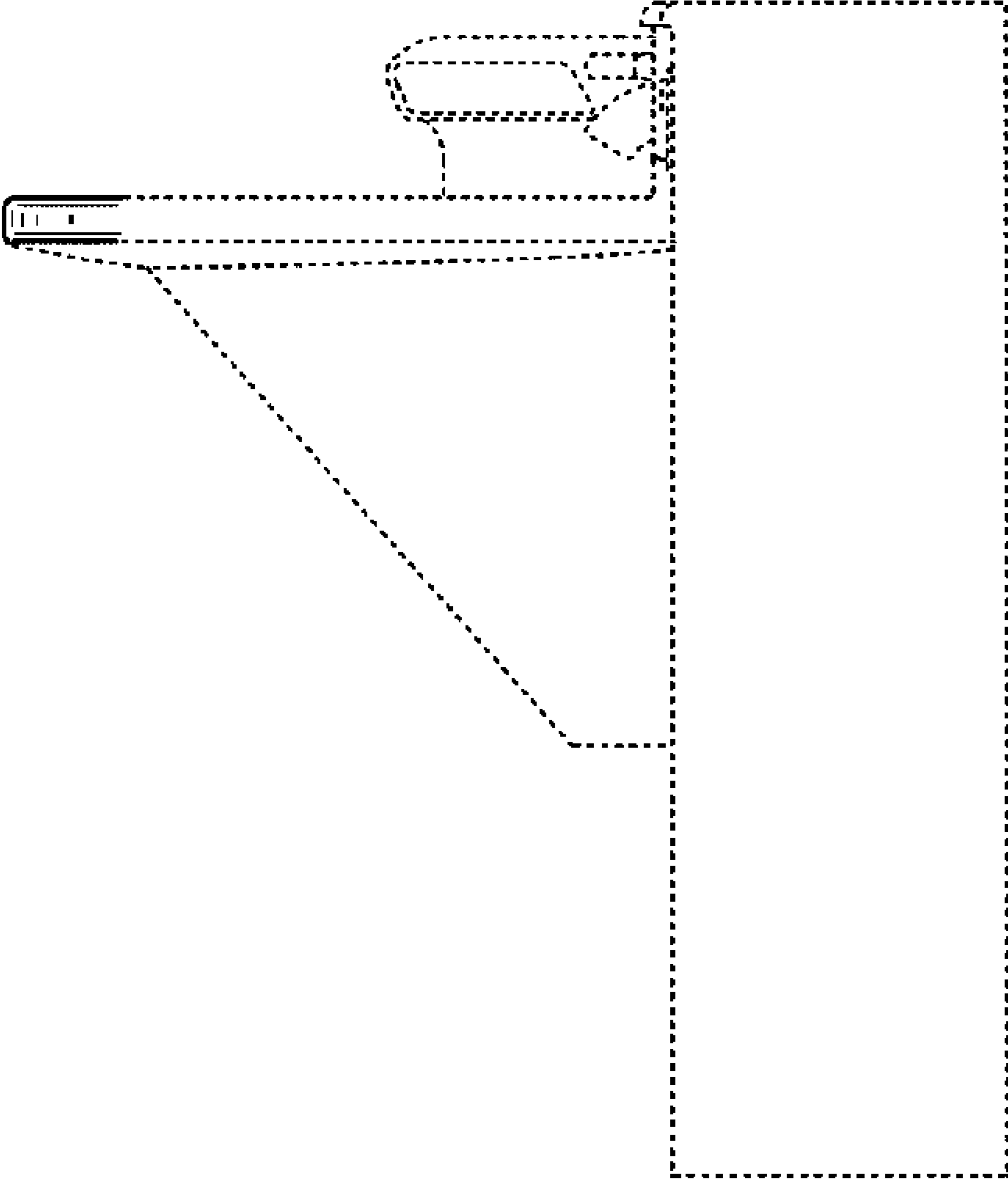


FIG. 4

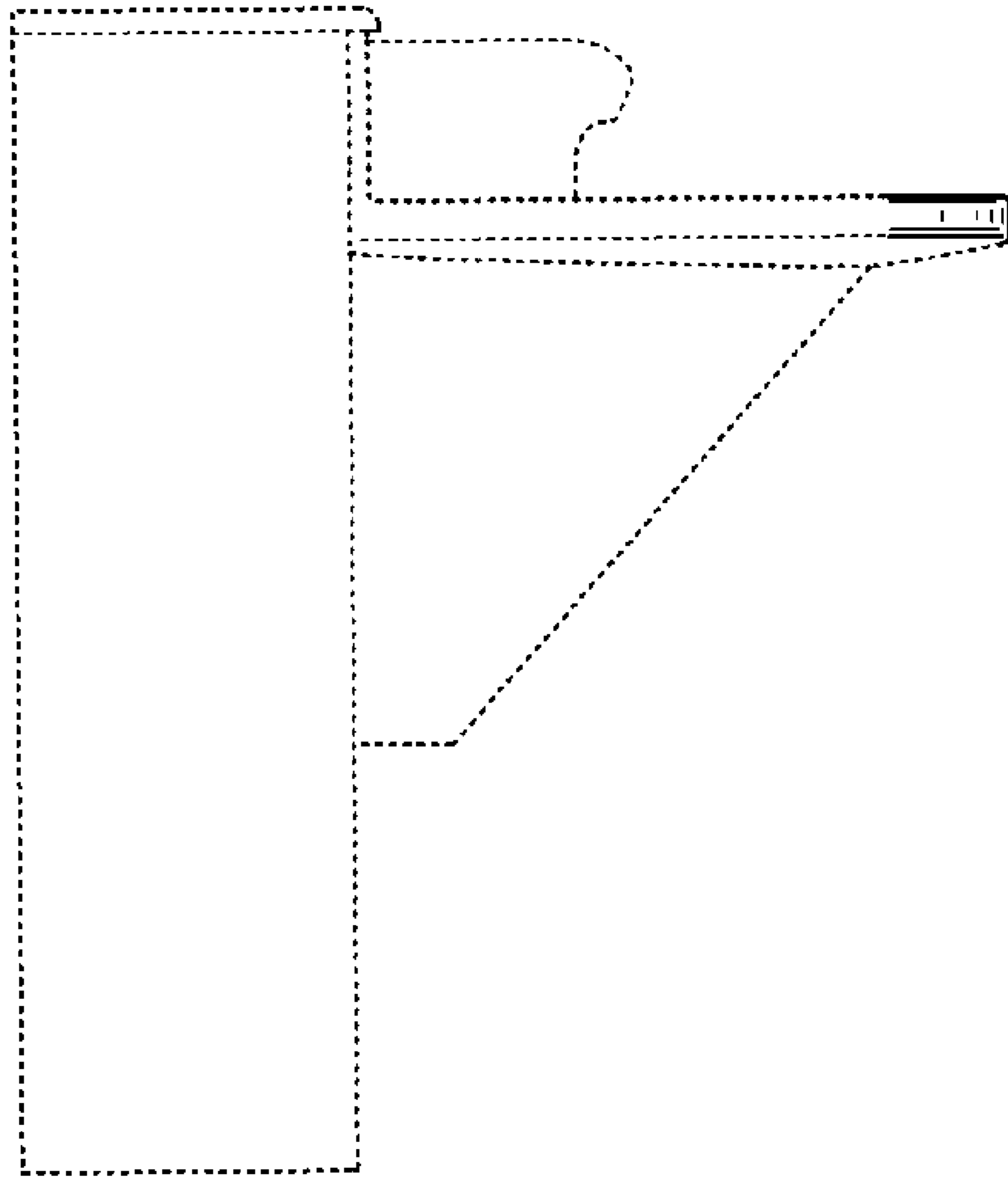


FIG. 5

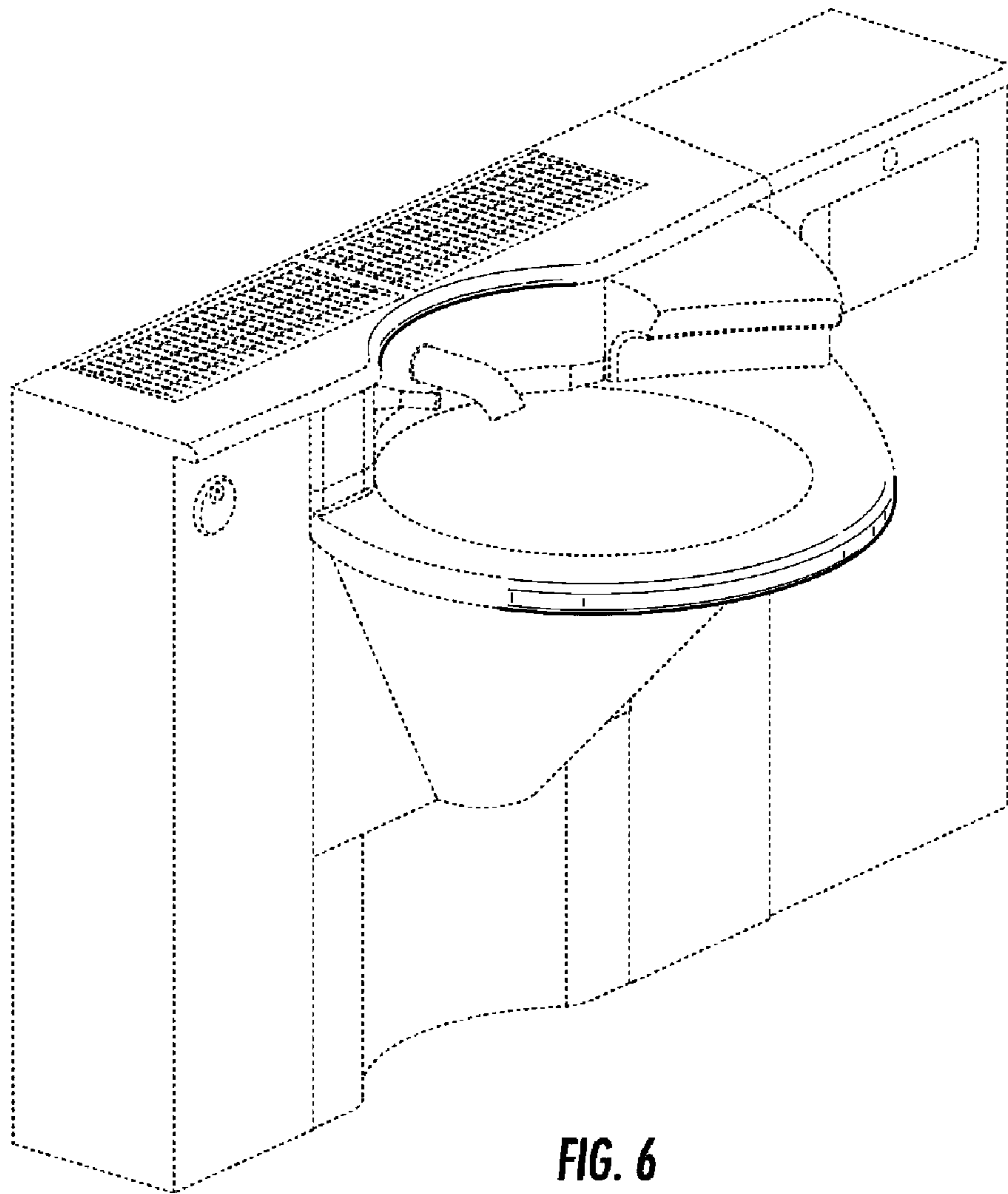


FIG. 6

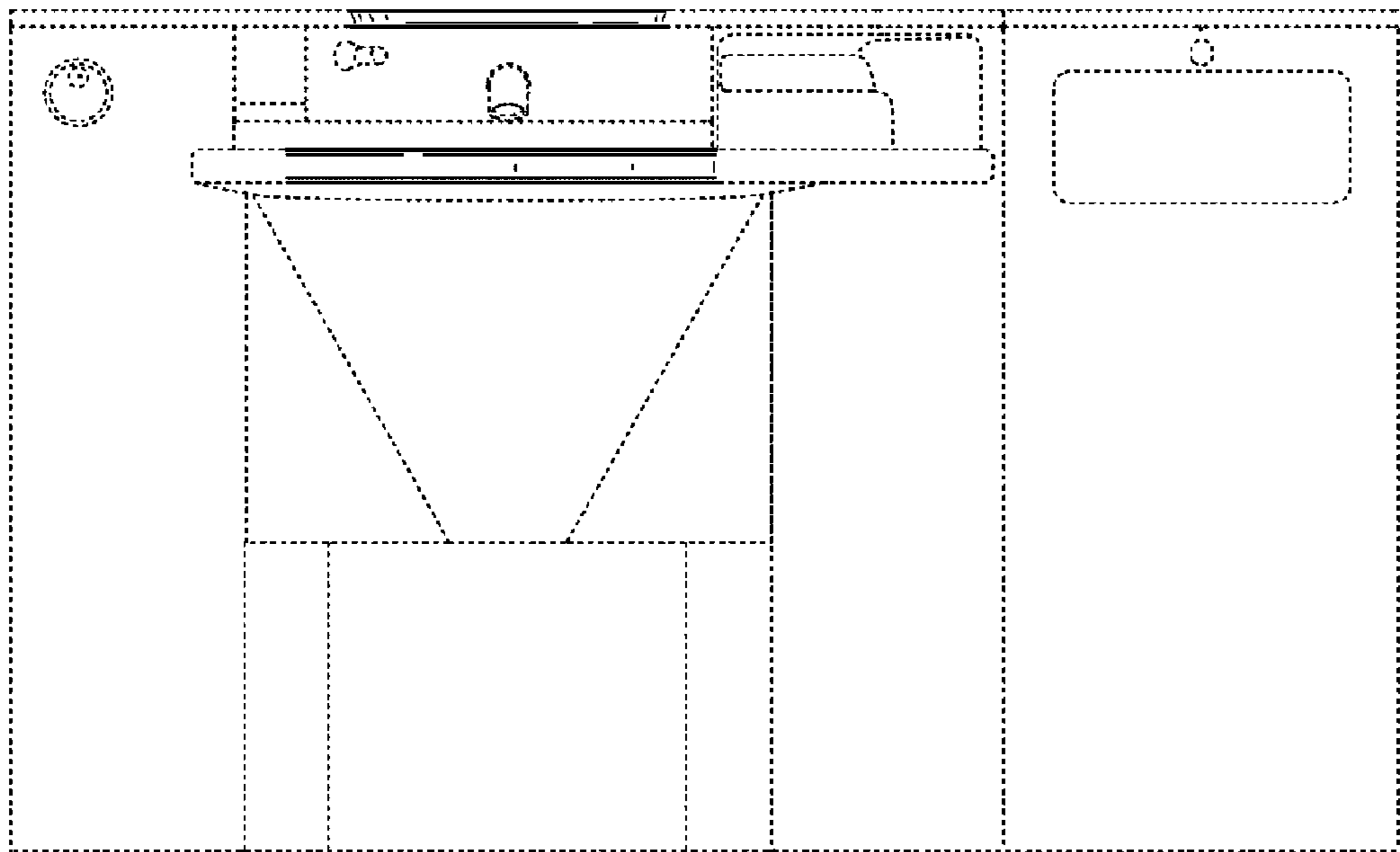


FIG. 7

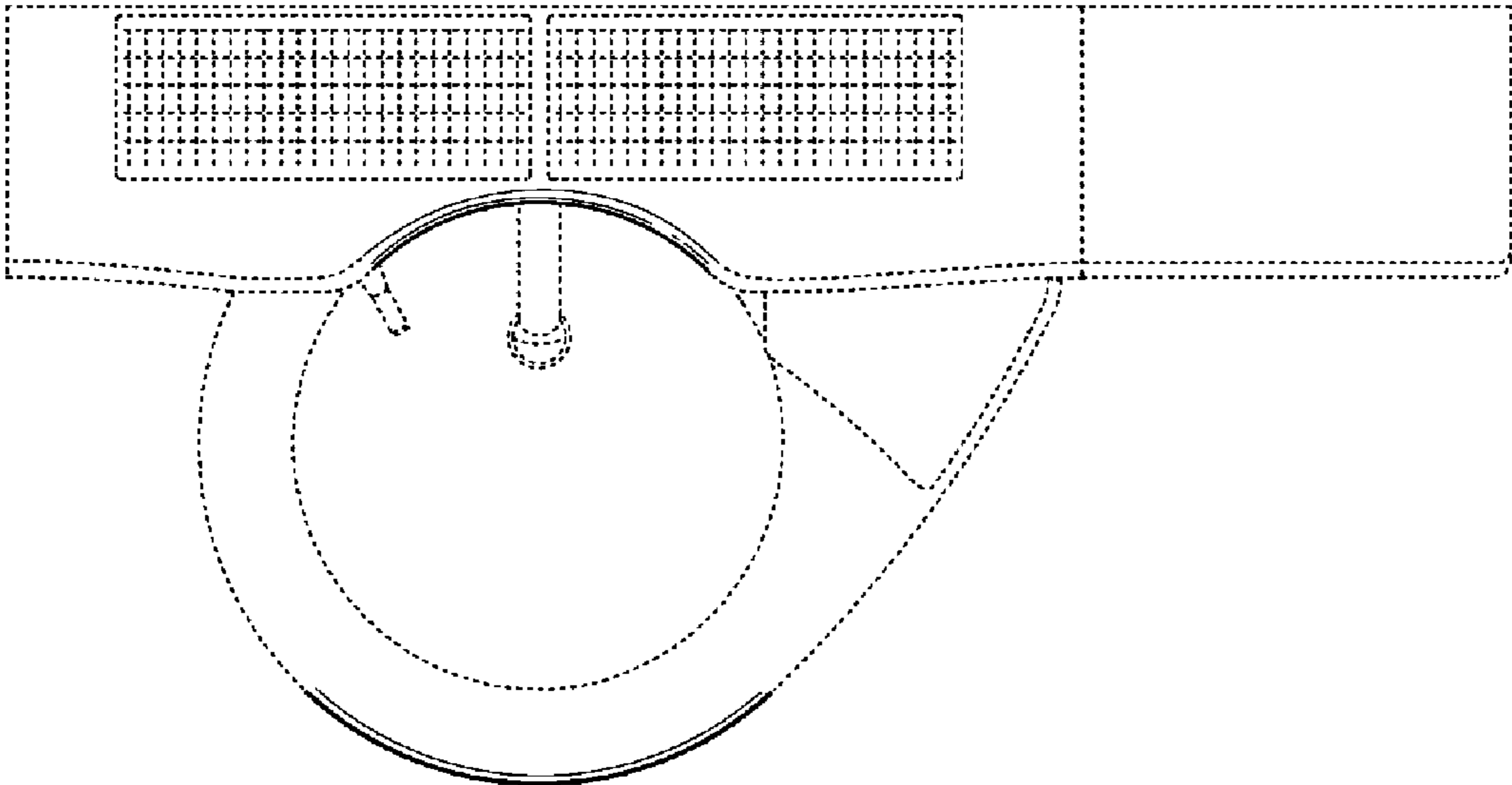


FIG. 8

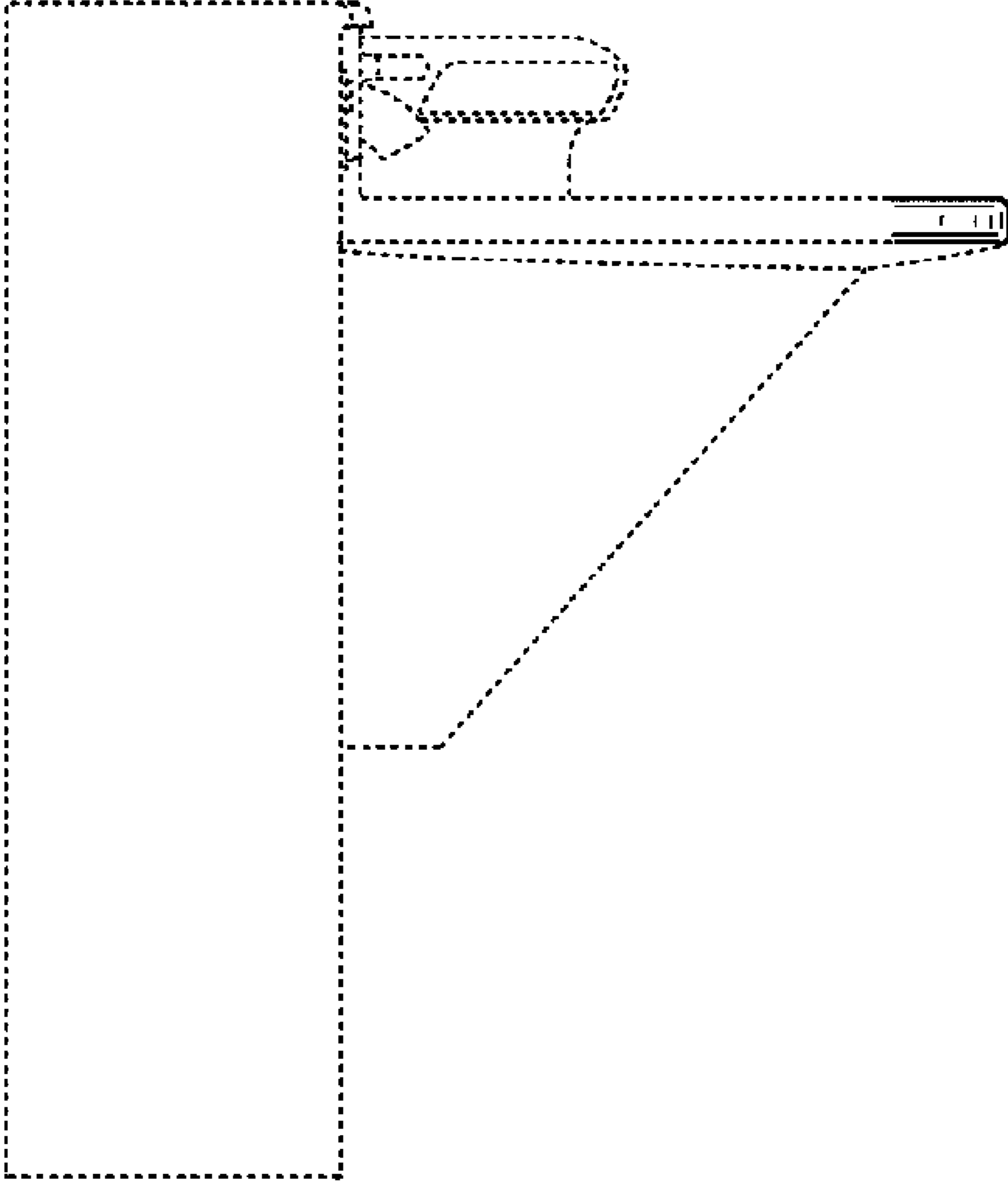


FIG. 9

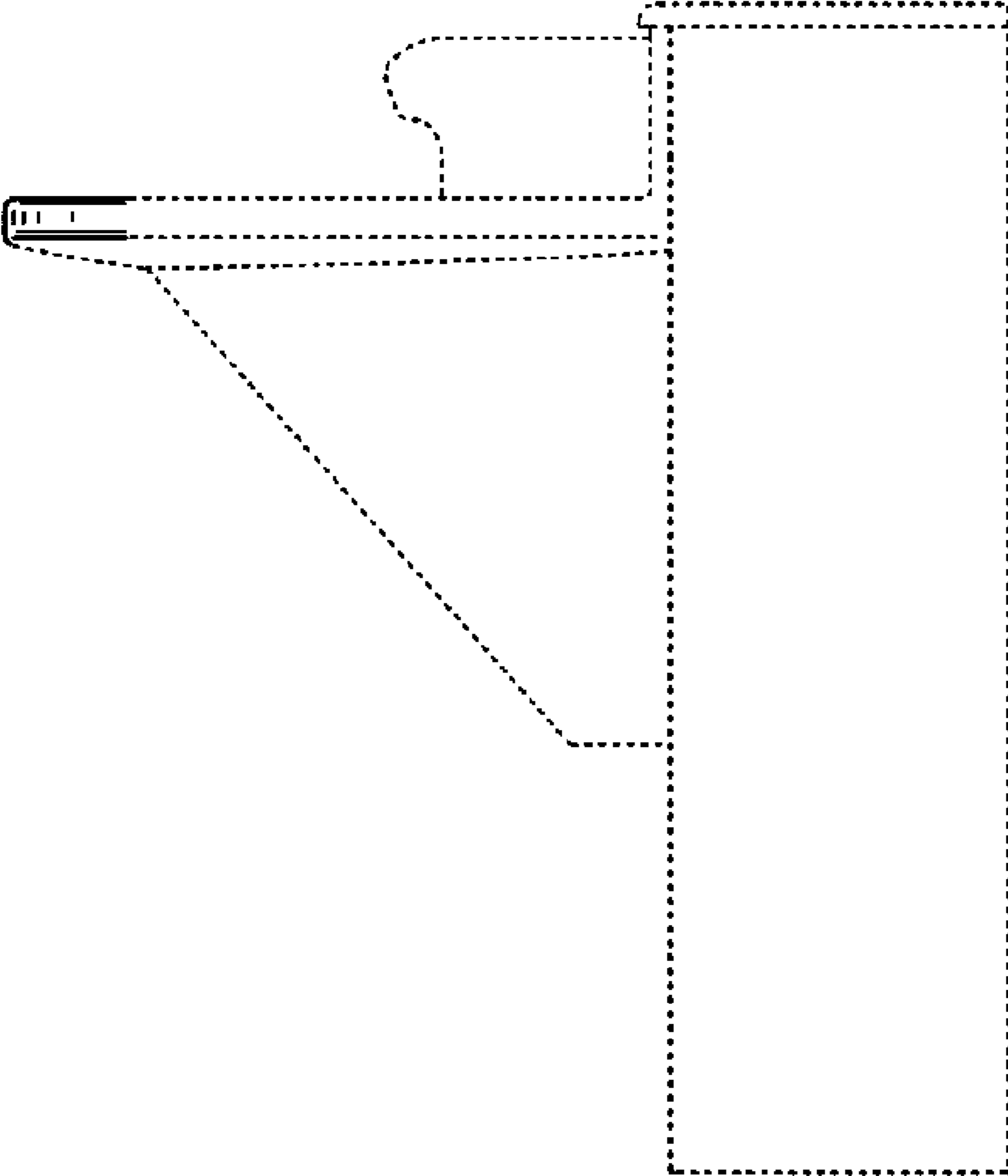


FIG. 10