

US00D641841S

(12) **United States Design Patent**
Houck

(10) **Patent No.:** **US D641,841 S**
(45) **Date of Patent:** **** Jul. 19, 2011**

(54) **SINK DISPOSAL TOOL**

(76) Inventor: **Theresa A. Houck**, Pueblo, CO (US)

(**) Term: **14 Years**

(21) Appl. No.: **29/372,365**

(22) Filed: **Nov. 12, 2010**

D292,835 S	11/1987	Schaber	
5,224,234 A	7/1993	Arsenault et al.	
5,404,596 A	4/1995	Coory	
D372,650 S *	8/1996	Bundy	D8/14
5,617,605 A	4/1997	Hoerner et al.	
D398,104 S *	9/1998	Raines	D32/35
D427,774 S *	7/2000	Jackson et al.	D4/116
7,480,954 B1	1/2009	Houck	
D605,733 S *	12/2009	Cavalieri	D23/261
2006/0107476 A1	5/2006	Mameletzi et al.	
2009/0007343 A1	1/2009	Houck	

* cited by examiner

Related U.S. Application Data

(63) Continuation of application No. 12/069,850, filed on Feb. 13, 2008, which is a continuation-in-part of application No. 11/824,733, filed on Jul. 3, 2007, now Pat. No. 7,480,954.

Primary Examiner — T. Chase Nelson

Assistant Examiner — Eric Goodman

(51) **LOC (9) Cl.** **23-01**

(52) **U.S. Cl.** **D23/262; D32/40**

(58) **Field of Classification Search** D23/259–262;
D32/35, 40, 42, 46–49; 4/286, 293, 295;
15/105, 236.01; 81/488

See application file for complete search history.

(57) **CLAIM**

The ornamental design for a sink disposal tool, as shown and described.

DESCRIPTION

FIG. 1 is a perspective view of the sink disposal tool showing my new design;

FIG. 2 is an elevational view of the sink disposal tool; and, FIG. 3 is a top plan view of the sink disposal tool.

The broken line showing of structural lines is included for the purpose of illustrating non-claimed subject matter and forms no part of the claimed design.

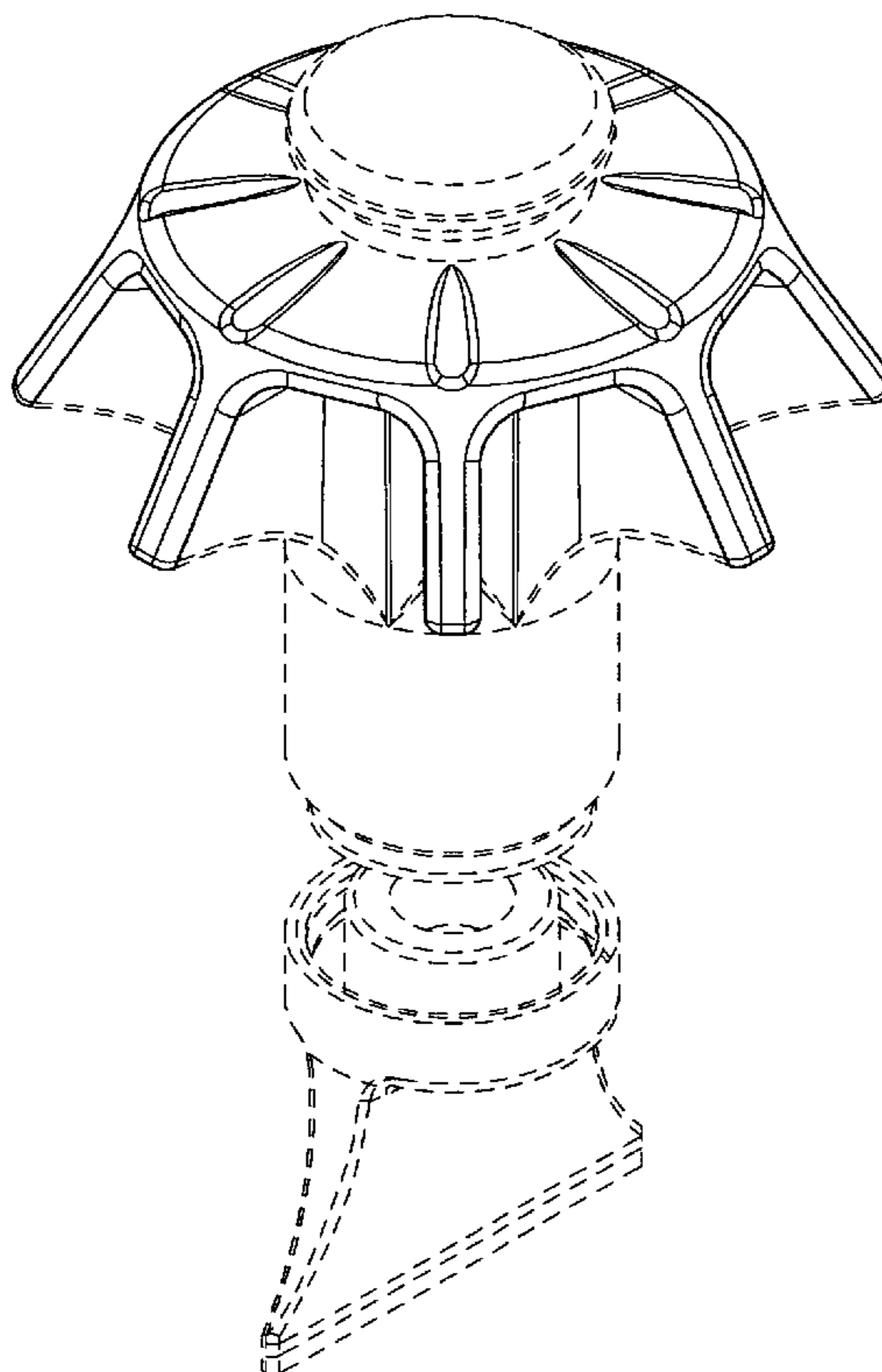
Surfaces or portions of the sink disposal tool not shown in the drawings or described in the specification form no part of the claimed design.

(56) **References Cited**

U.S. PATENT DOCUMENTS

285,771 A	9/1883	Turner	
3,609,776 A *	10/1971	Haldopoulos et al.	4/295
4,268,080 A	5/1981	Lindley	
4,297,761 A	11/1981	Loos	
4,409,692 A	10/1983	Ness	
D274,273 S *	6/1984	Auerbach	D32/35
4,504,996 A	3/1985	Loos	

1 Claim, 3 Drawing Sheets



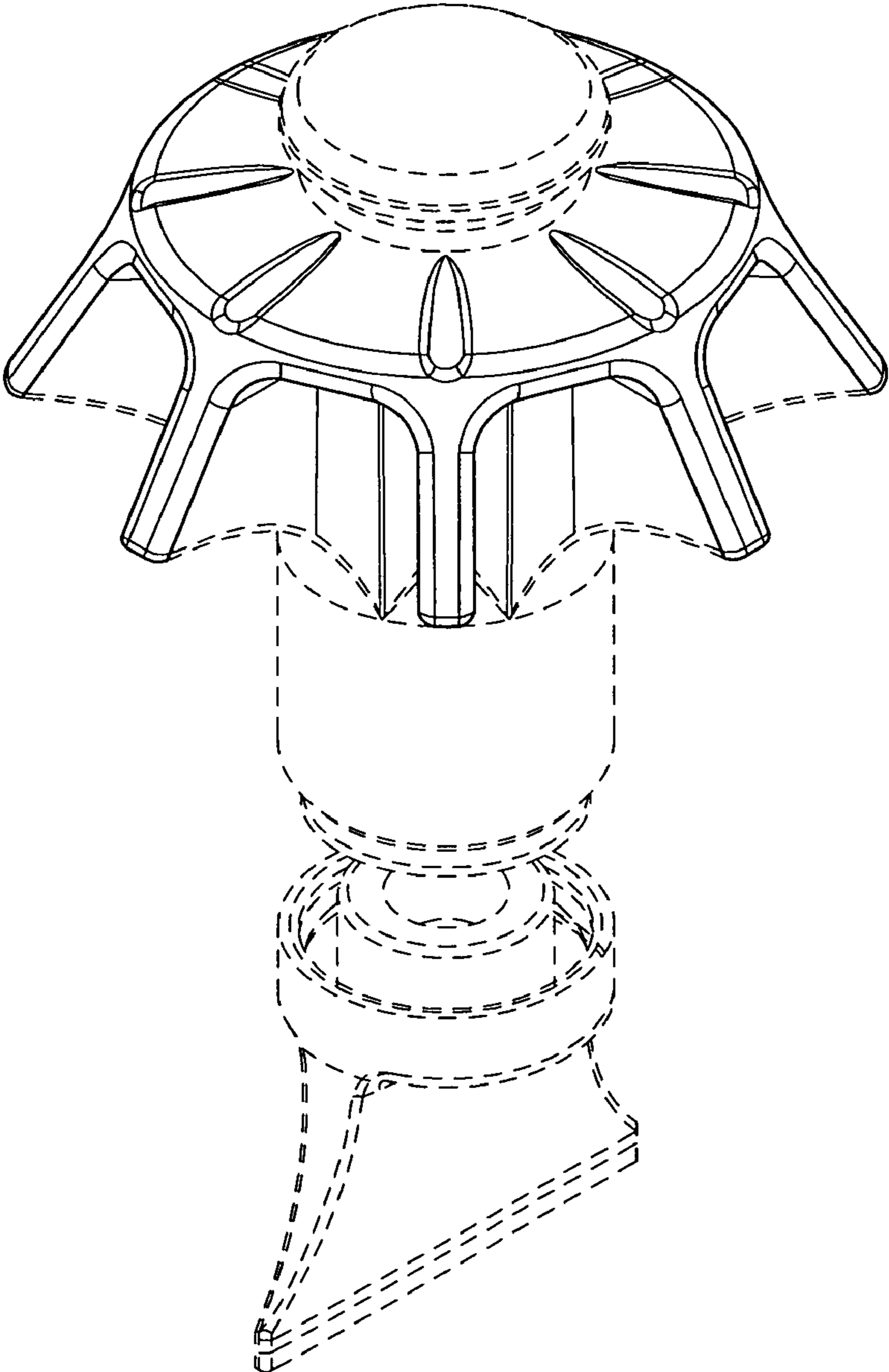


FIG. 1

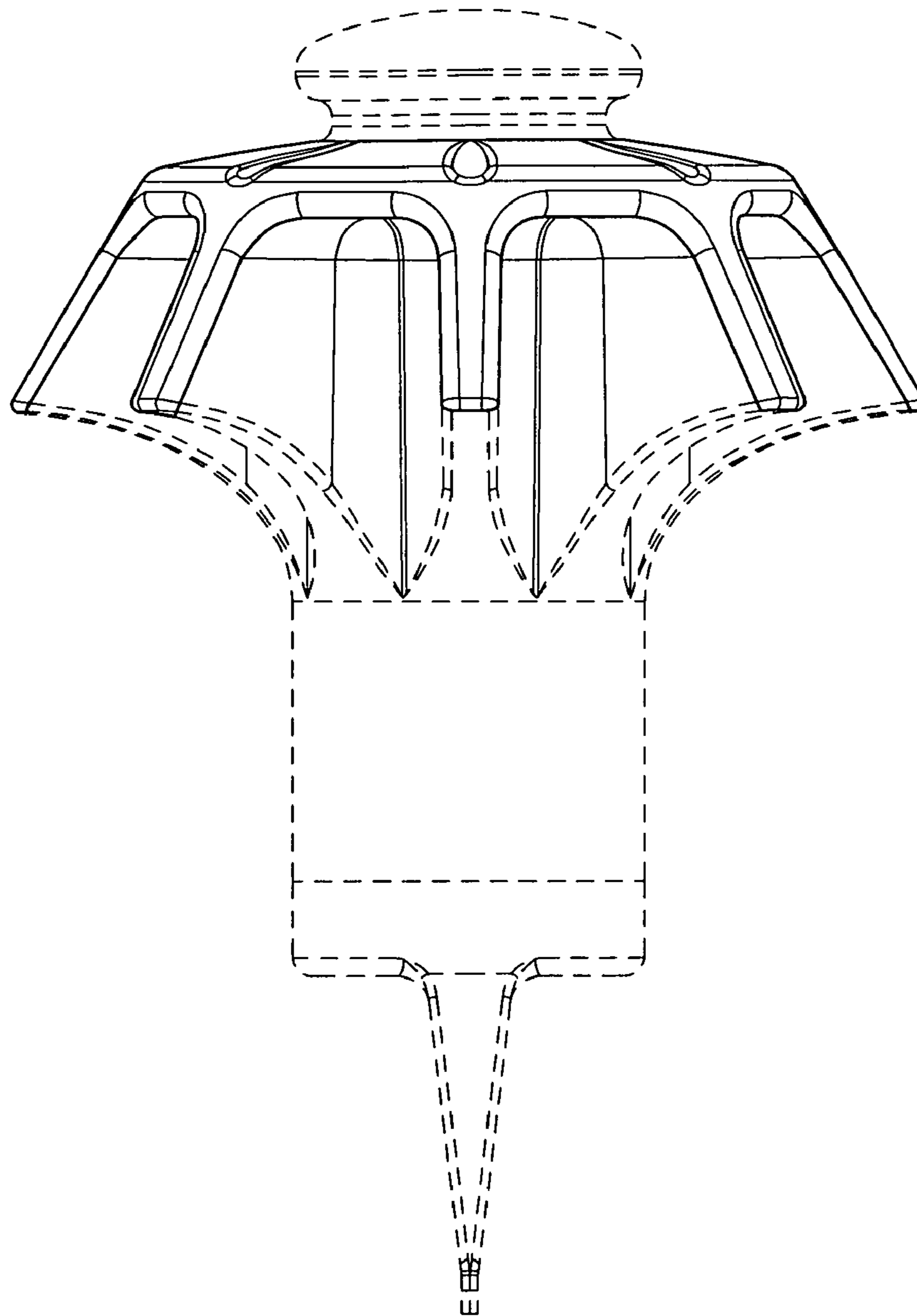


FIG. 2

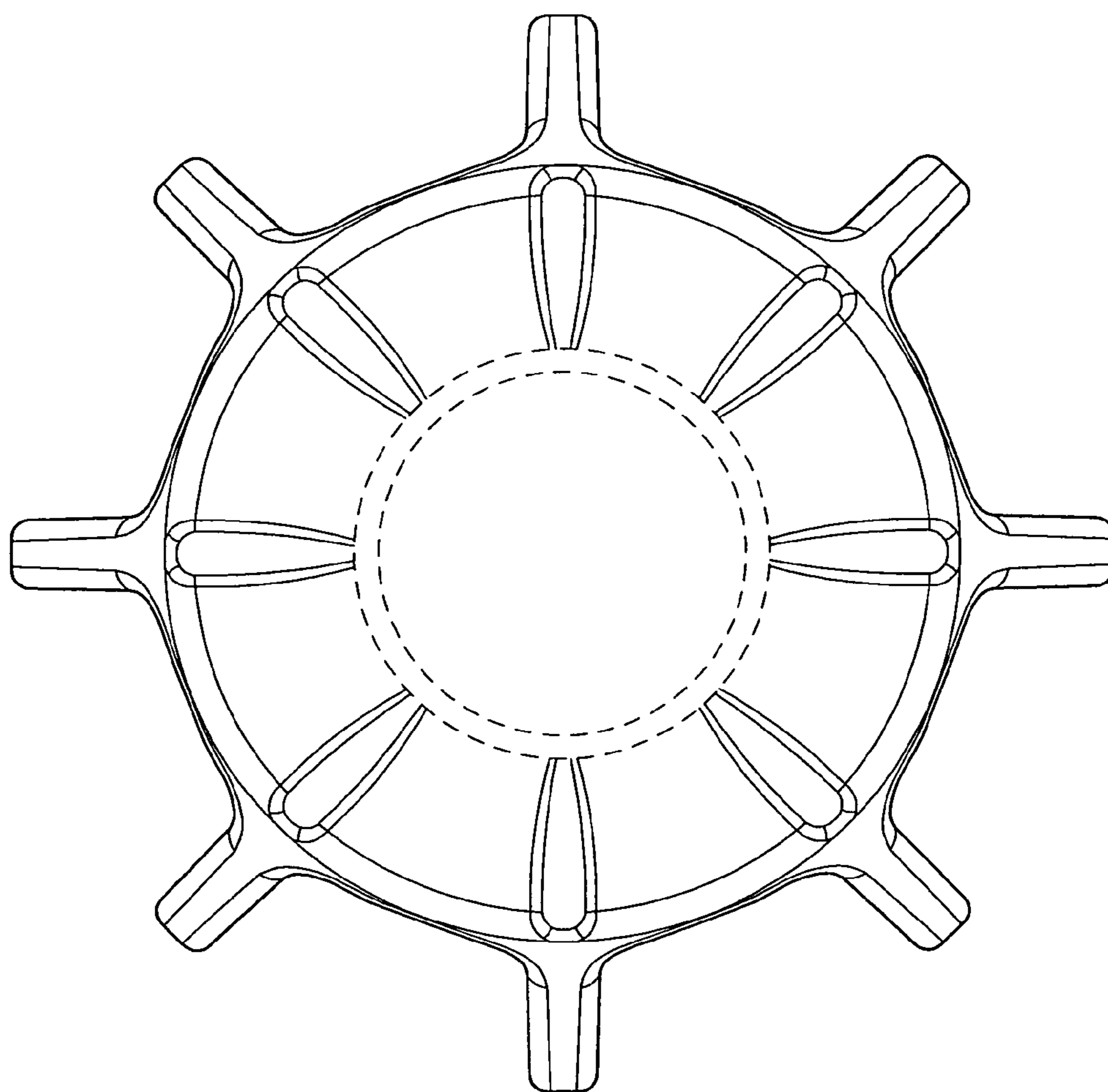


FIG. 3