



US00D641838S

(12) **United States Design Patent**  
**Grether**

(10) **Patent No.:** **US D641,838 S**  
(45) **Date of Patent:** **\*\* Jul. 19, 2011**

(54) **FLOW REGULATOR**

(75) Inventor: **Hermann Grether**, Mullheim (DE)

(73) Assignee: **Neoperl GmbH**, Mullheim (DE)

(\*\*) Term: **14 Years**

(21) Appl. No.: **29/385,107**

(22) Filed: **Feb. 9, 2011**

**Related U.S. Application Data**

(62) Division of application No. 29/380,534, filed on Dec. 7, 2010.

**Foreign Application Priority Data**

Jun. 8, 2010 (EM) ..... 1218788

(51) **LOC (9) Cl.** ..... **23-01**

(52) **U.S. Cl.** ..... **D23/249**

(58) **Field of Classification Search** ..... D23/213,  
D23/233-237, 244-249, 255, 257, 259, 260;  
138/37, 40-42; 239/3, 428.5, 552, 553, 553.5;  
261/DIG. 22

See application file for complete search history.

**References Cited**

**U.S. PATENT DOCUMENTS**

D516,182 S 2/2006 Buttgen  
D526,701 S 8/2006 Grether

D536,417 S 2/2007 Buttgen  
D537,916 S \* 3/2007 Buttgen ..... D23/213  
D577,416 S 9/2008 Buttgen  
D604,806 S \* 11/2009 Blum ..... D23/233  
D609,783 S 2/2010 Blum  
D609,784 S 2/2010 Grether  
D614,735 S 4/2010 Grether  
D625,394 S \* 10/2010 Stein ..... D23/249  
D630,301 S 1/2011 Stein  
D632,367 S \* 2/2011 Stein ..... D23/249

\* cited by examiner

*Primary Examiner* — Cathron C. Brooks

*Assistant Examiner* — Maurice Stevens

(74) *Attorney, Agent, or Firm* — Volpe and Koenig, P.C.

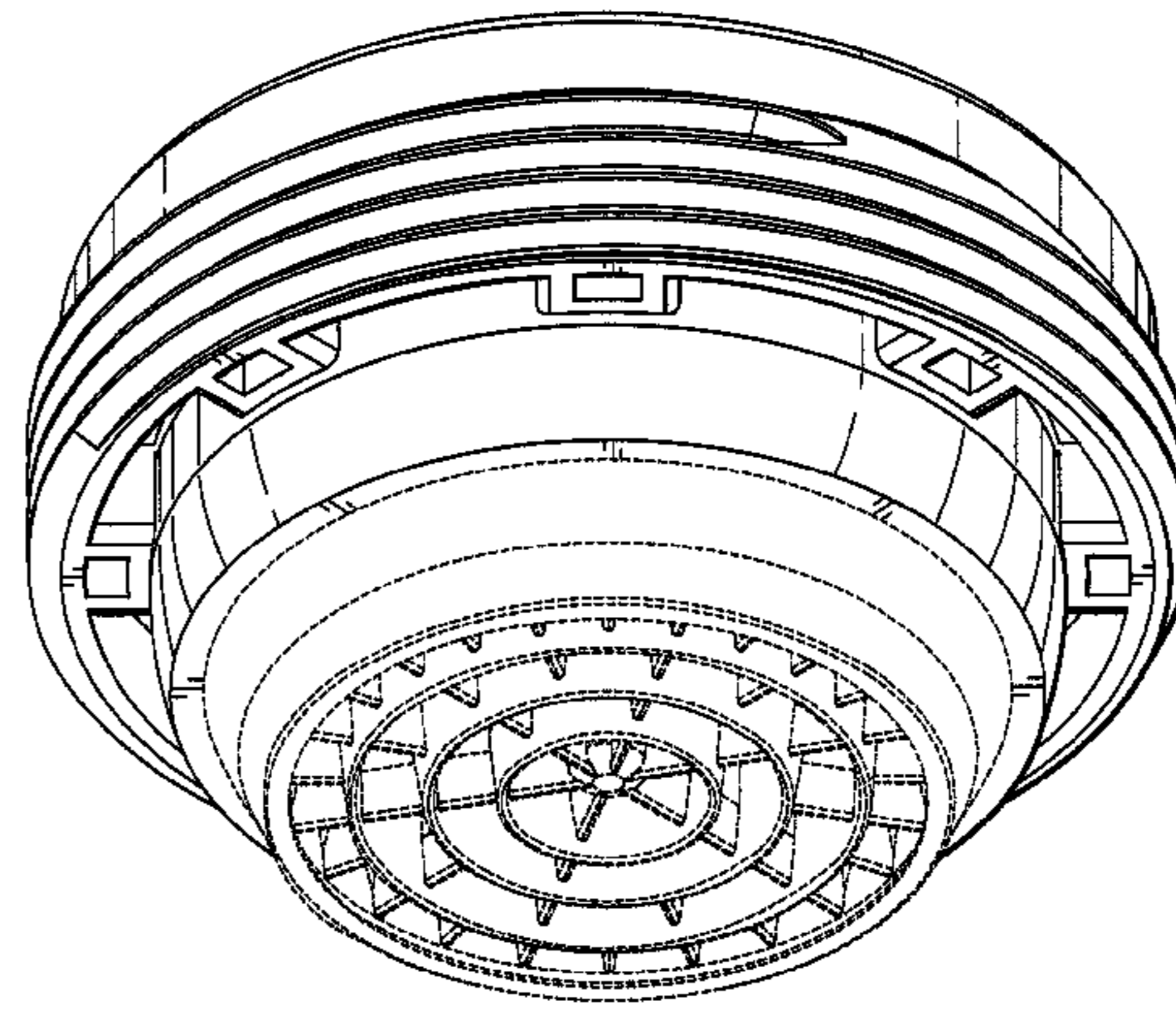
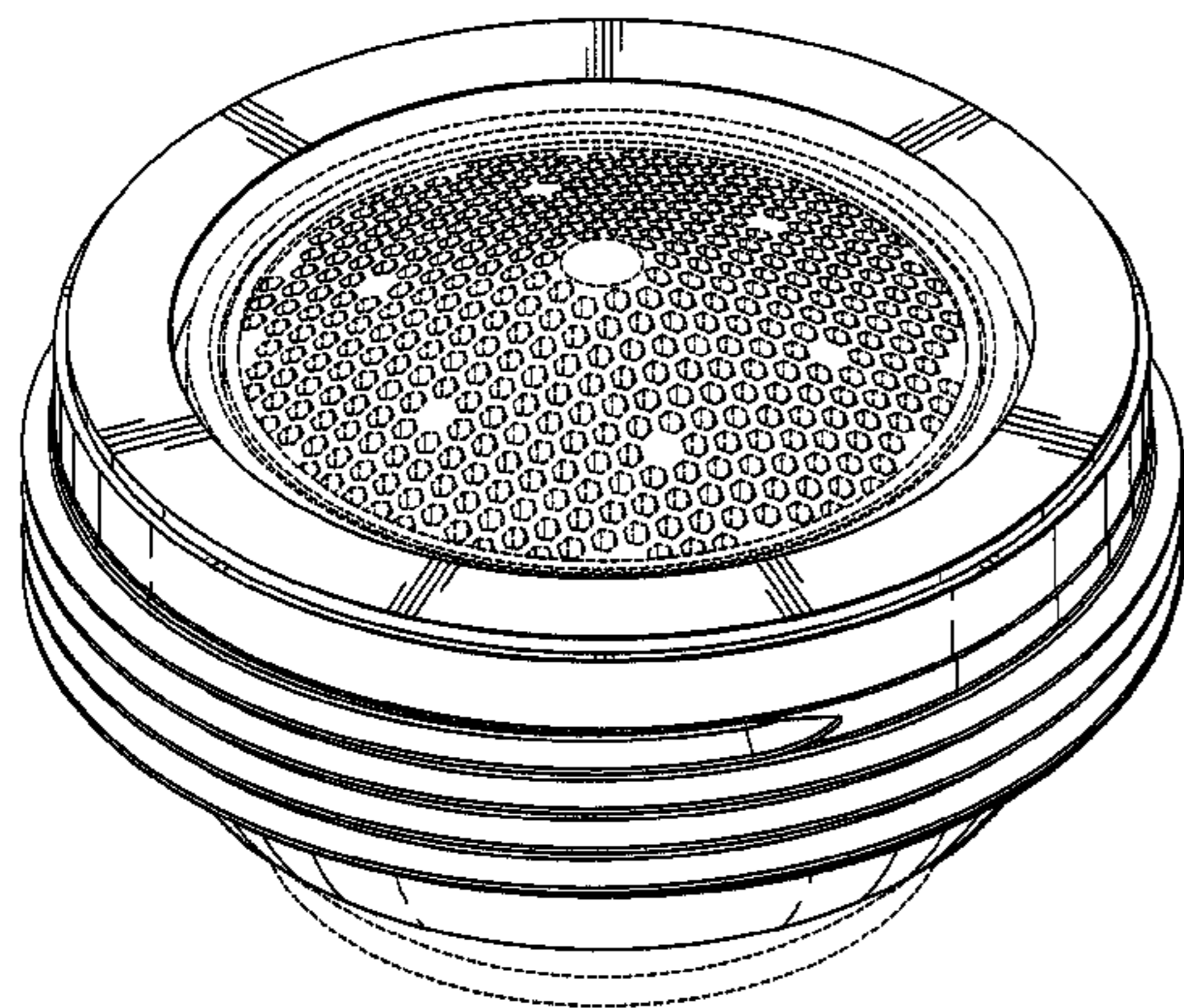
**CLAIM**

(57) The ornamental design for a flow regulator, as shown and described.

**DESCRIPTION**

FIG. 1 is a top plan view of a flow regulator in accordance with my design;  
FIG. 2 is a top, front perspective view thereof;  
FIG. 3 is a bottom plan view thereof;  
FIG. 4 is a bottom, front perspective view thereof;  
FIG. 5 is an elevational view thereof; and,  
FIG. 6 is a bottom, right side perspective view showing an alternate position of one component of the design.  
The broken lines illustrated form no part of the claimed design.

**1 Claim, 6 Drawing Sheets**



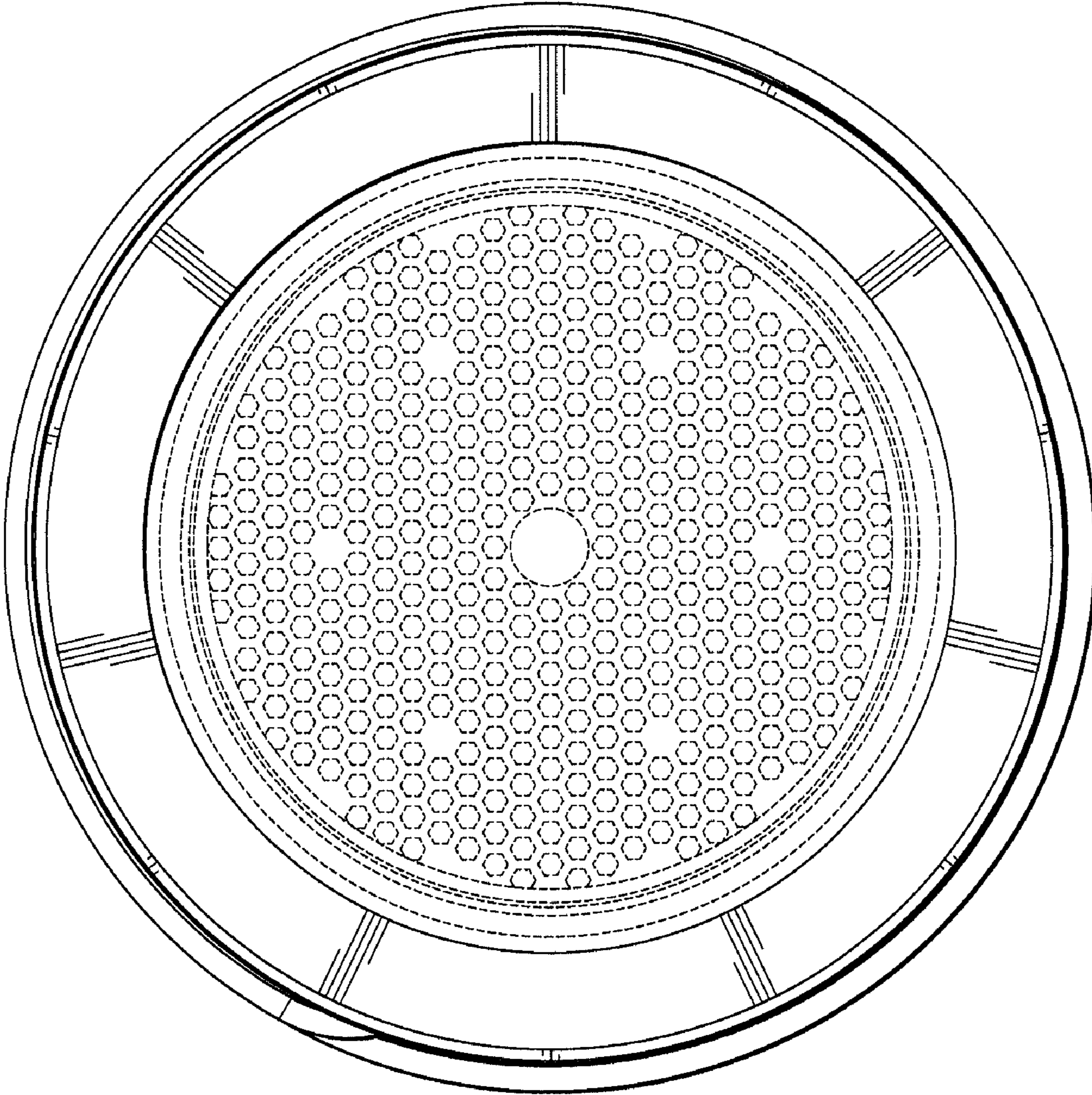


Fig. 1

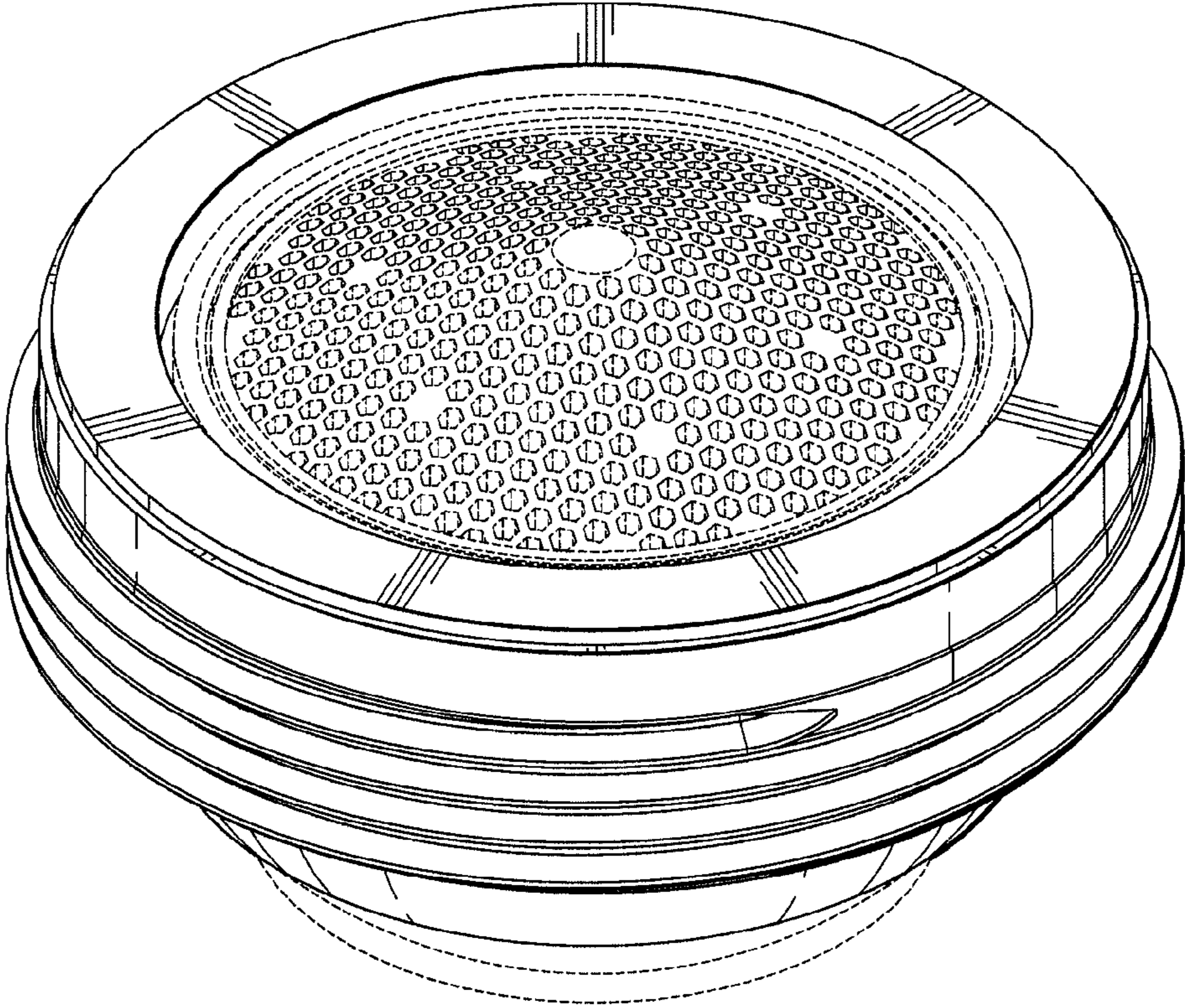


Fig. 2

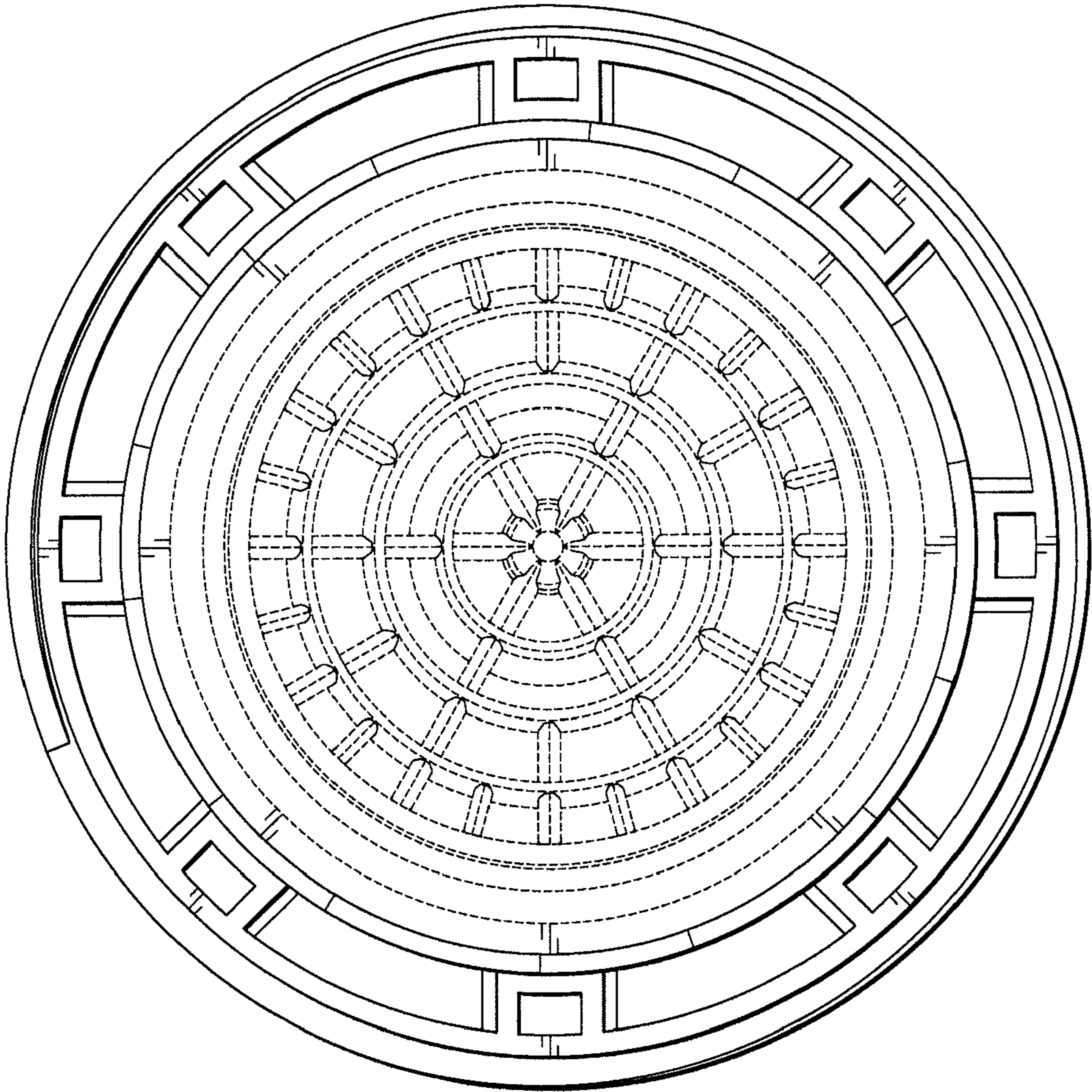


Fig. 3

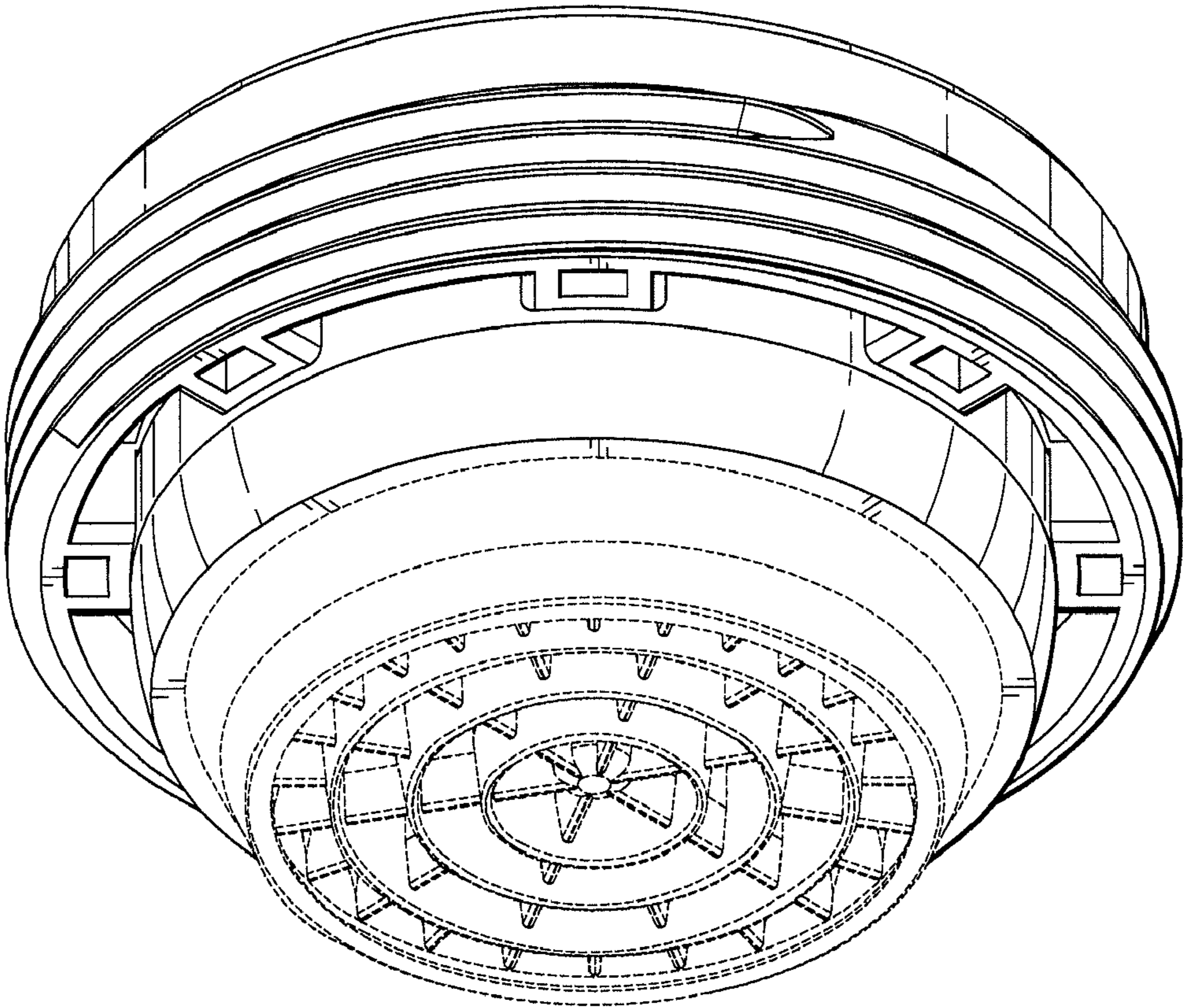


Fig. 4

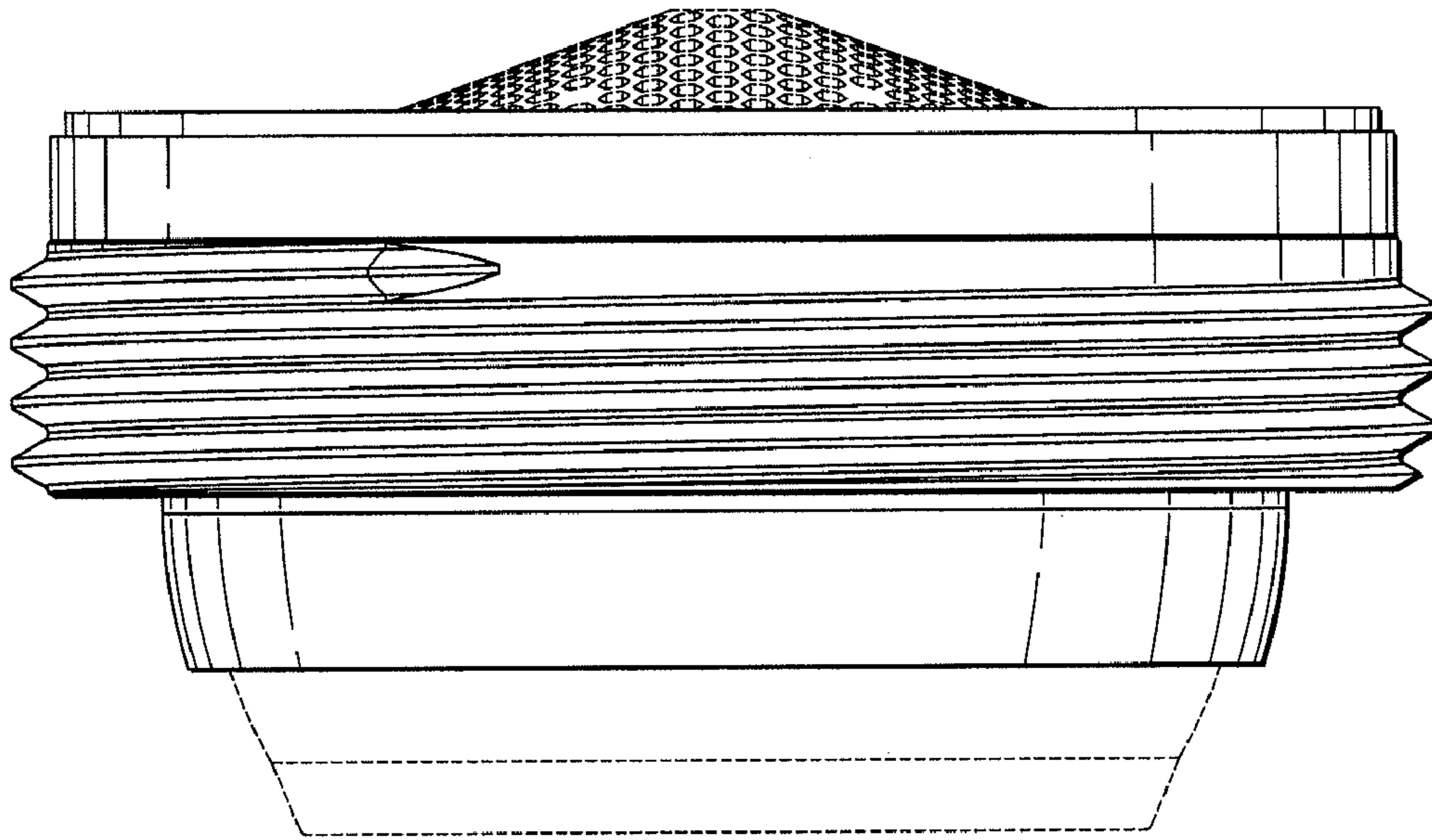


Fig. 5

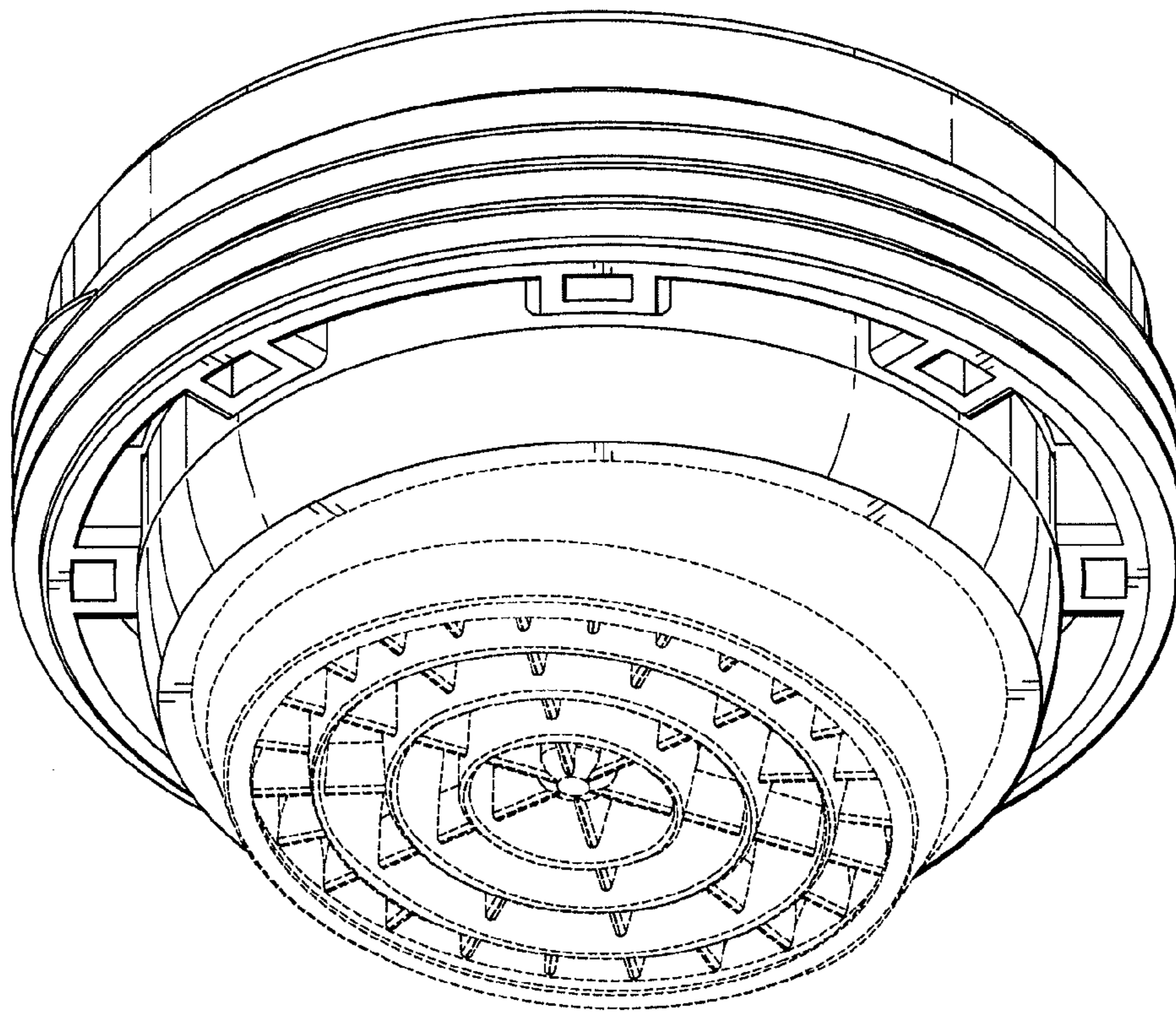


Fig. 6