



US00D641834S

(12) **United States Design Patent**
Blum

(10) **Patent No.:** **US D641,834 S**
(45) **Date of Patent:** **** Jul. 19, 2011**

(54) **FLOW REGULATOR**

(75) Inventor: **Gerhard Blum**, Gutach (DE)

(73) Assignee: **Neoperl GmbH**, Mullheim (DE)

(**) Term: **14 Years**

(21) Appl. No.: **29/384,848**

(22) Filed: **Feb. 4, 2011**

Related U.S. Application Data

(62) Division of application No. 29/379,367, filed on Nov. 18, 2010.

Foreign Application Priority Data

May 27, 2010 (EM) 1216642

(51) **LOC (9) Cl.** **23-01**

(52) **U.S. Cl.** **D23/249**

(58) **Field of Classification Search** D23/213,
D23/233-237, 244-249, 255, 257, 259, 260;
138/37, 40-42; 239/3, 428.5, 552, 553, 553.5;
261/DIG. 22

See application file for complete search history.

(56) **References Cited**

U.S. PATENT DOCUMENTS

D529,588 S	10/2006	Grether	
D550,814 S *	9/2007	Grether	D23/249
D550,816 S *	9/2007	Grether	D23/249
D550,818 S *	9/2007	Grether	D23/249
D605,732 S	12/2009	Stein	
D612,911 S	3/2010	Grether	
D622,355 S *	8/2010	Grether	D23/249

* cited by examiner

Primary Examiner — Cathron C. Brooks

Assistant Examiner — Maurice Stevens

(74) *Attorney, Agent, or Firm* — Volpe and Koenig, P.C.

(57) **CLAIM**

The ornamental design for a flow regulator, as shown and described.

DESCRIPTION

FIG. 1 is a top, front perspective view of a flow regulator in accordance with my design;

FIG. 2 is a bottom, rear perspective view thereof;

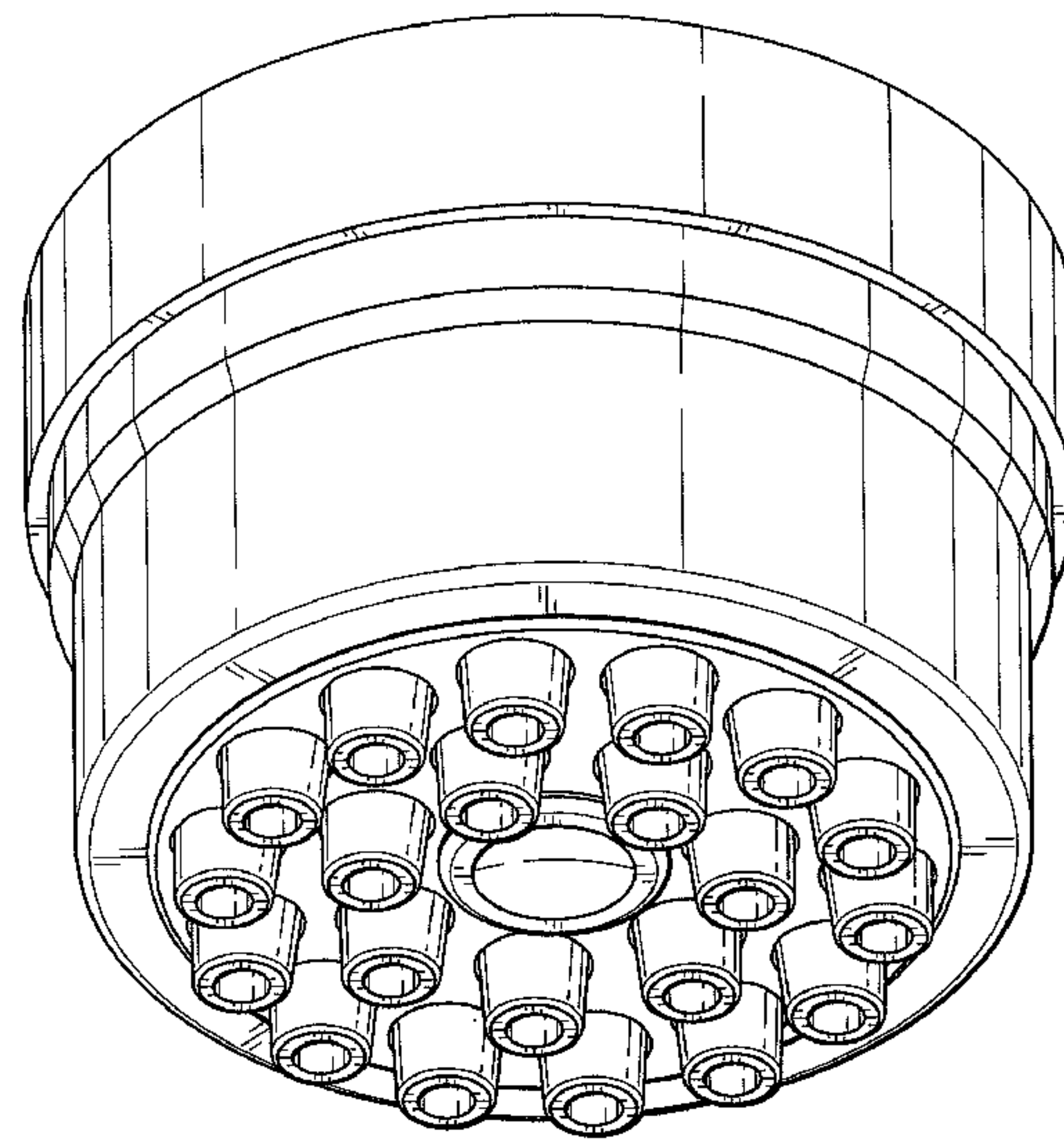
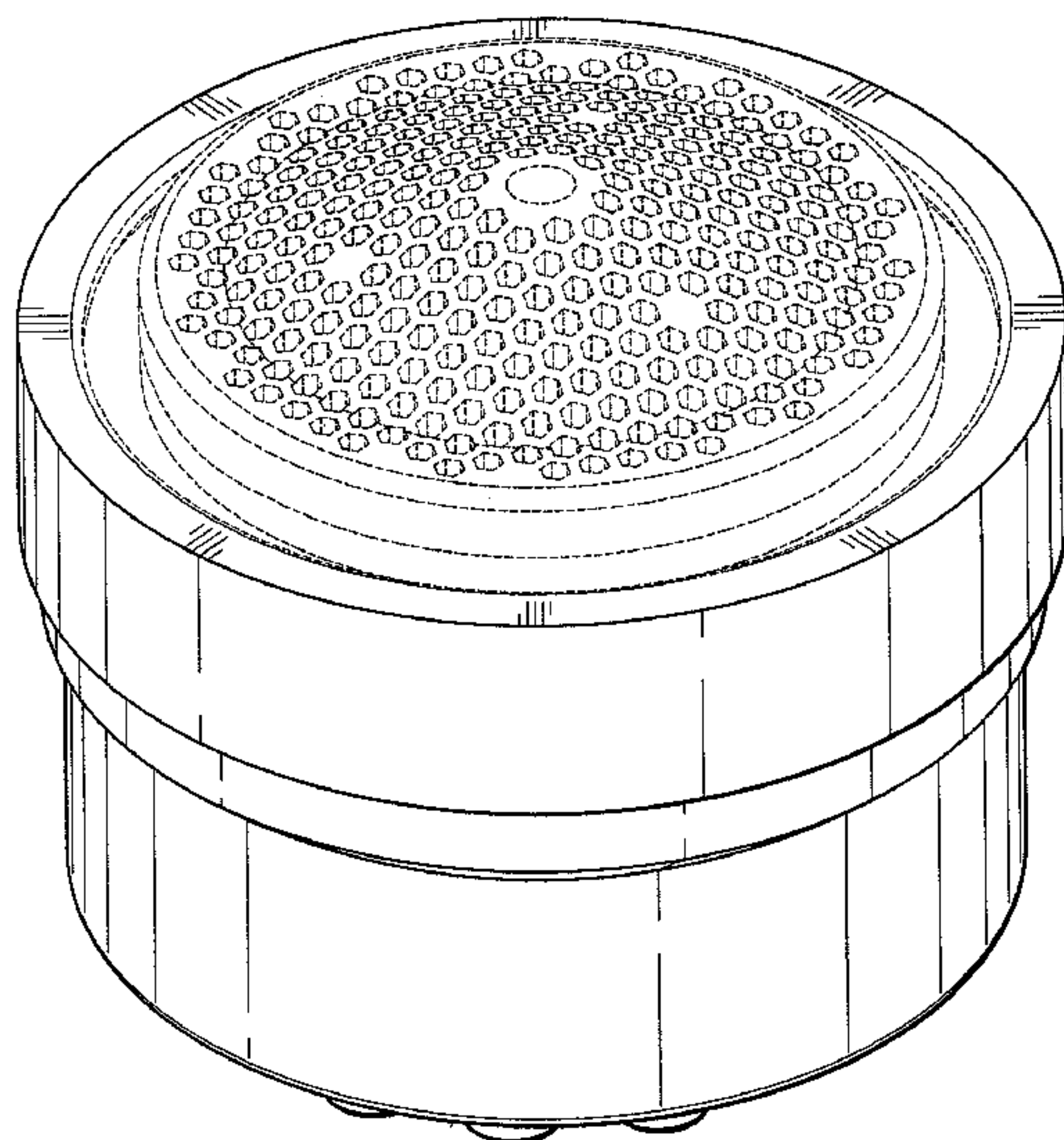
FIG. 3 is a top plan view thereof;

FIG. 4 is an elevational view thereof; and,

FIG. 5 is a bottom view thereof.

The broken lines shown in the drawings form no part of the claimed design.

1 Claim, 5 Drawing Sheets



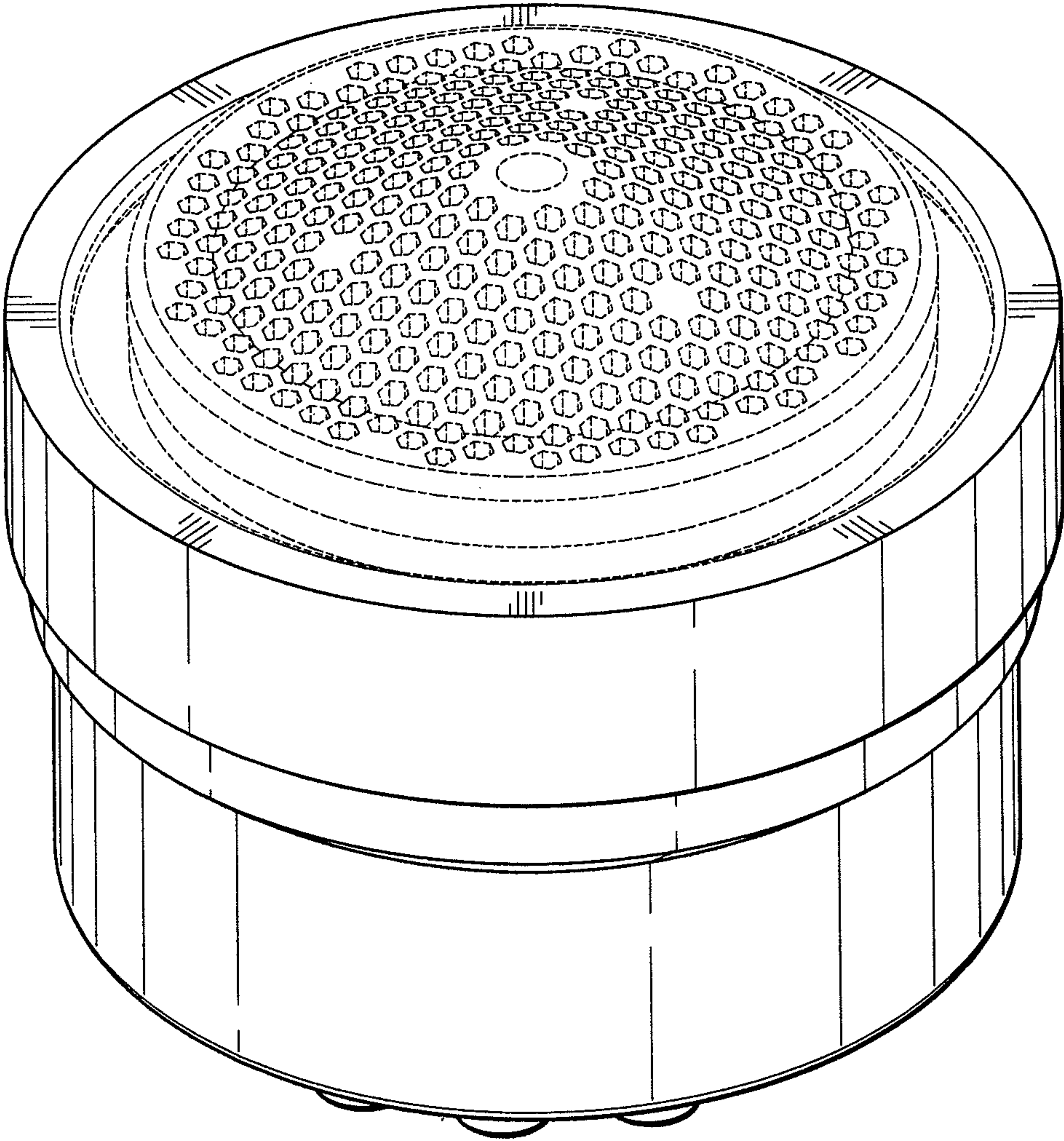


Fig. 1

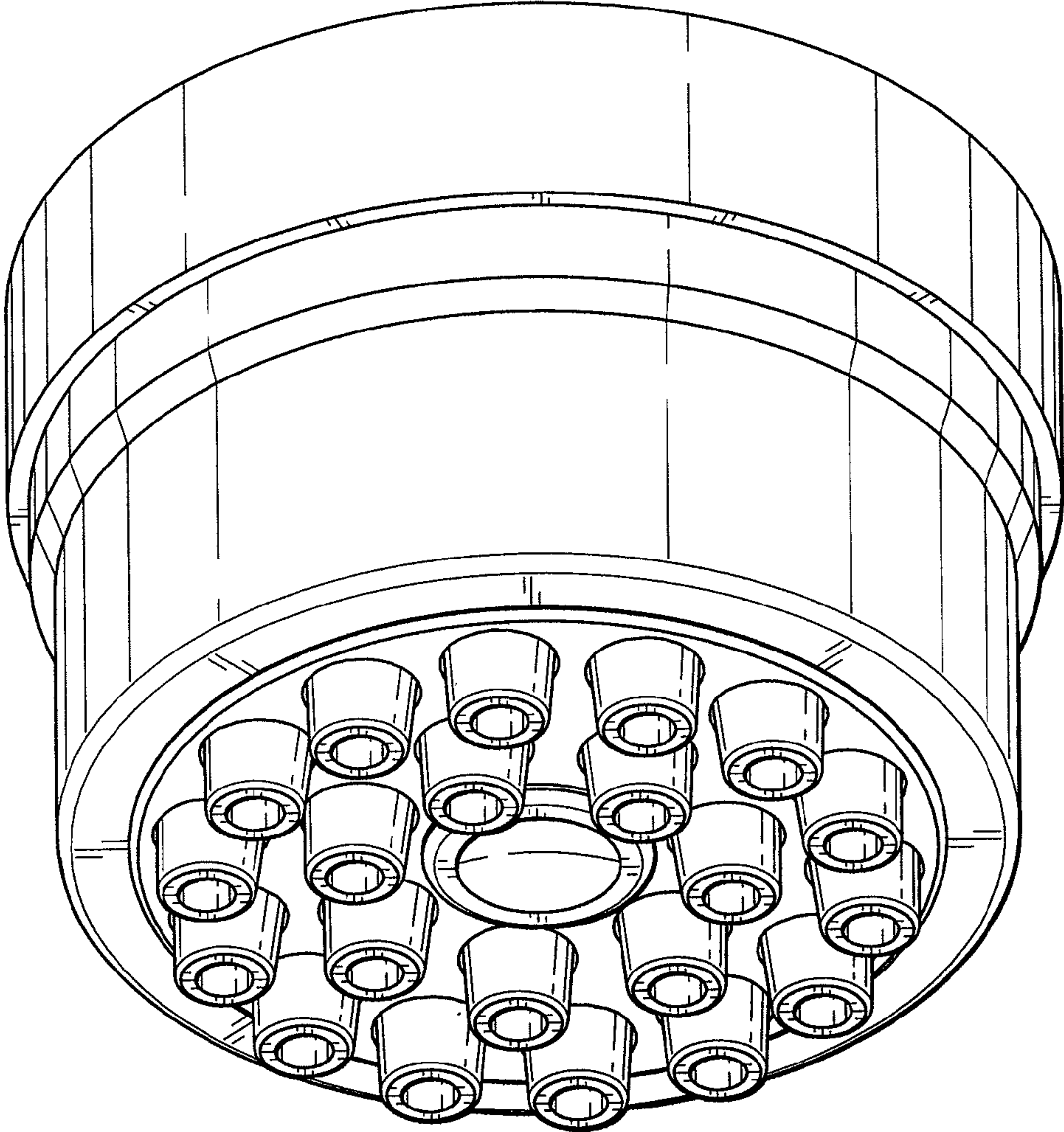


Fig. 2

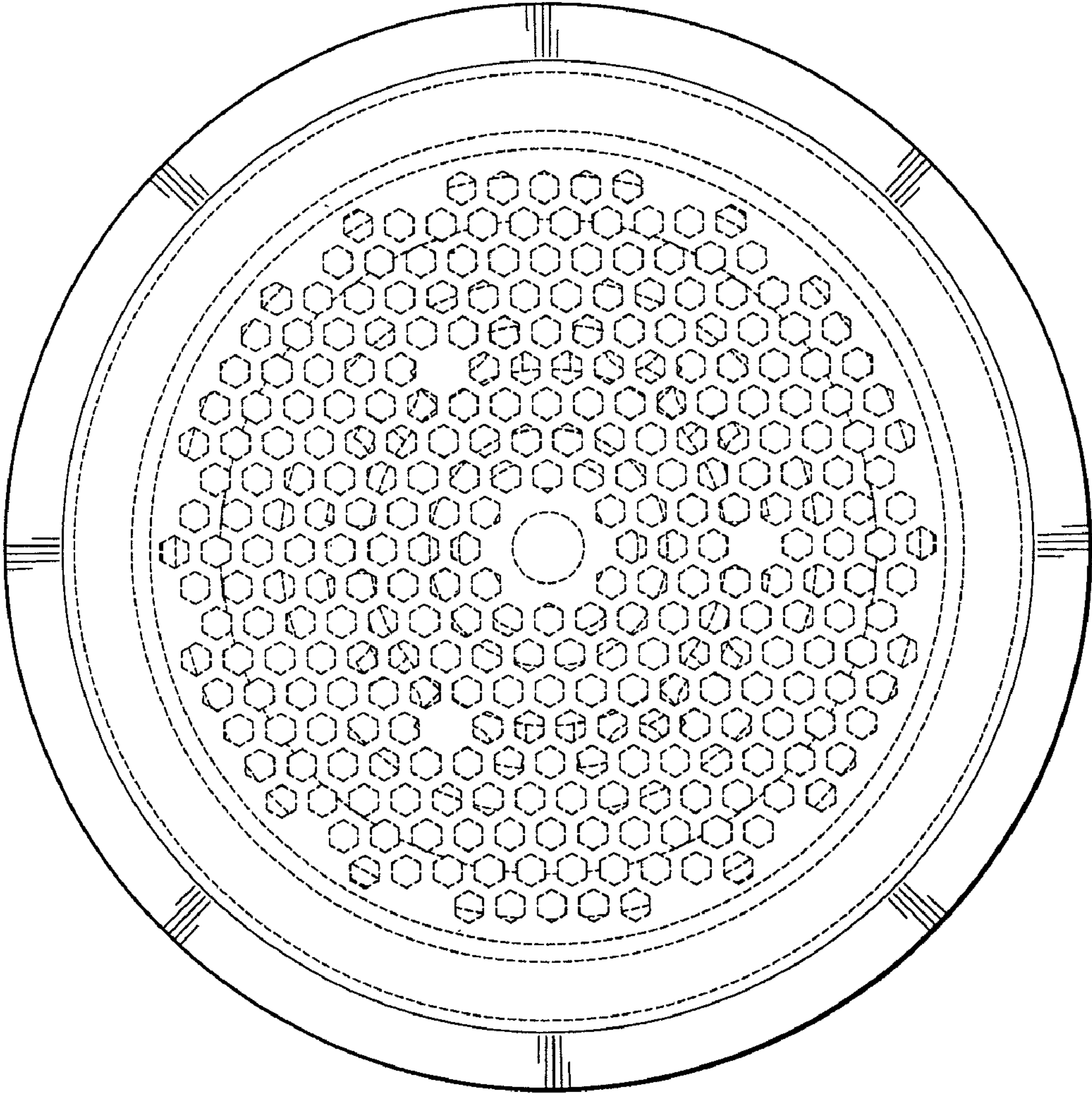


Fig. 3

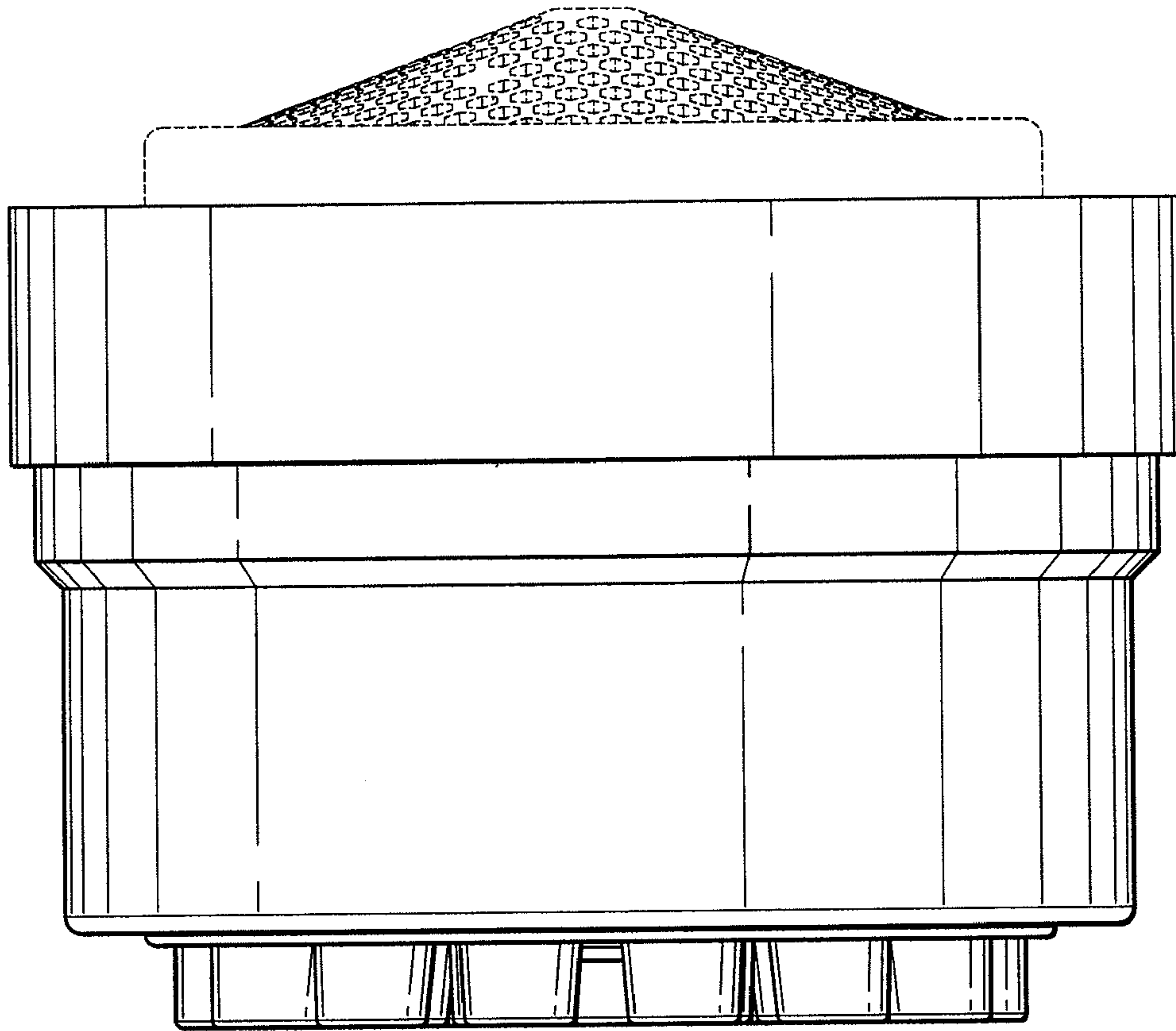


Fig. 4

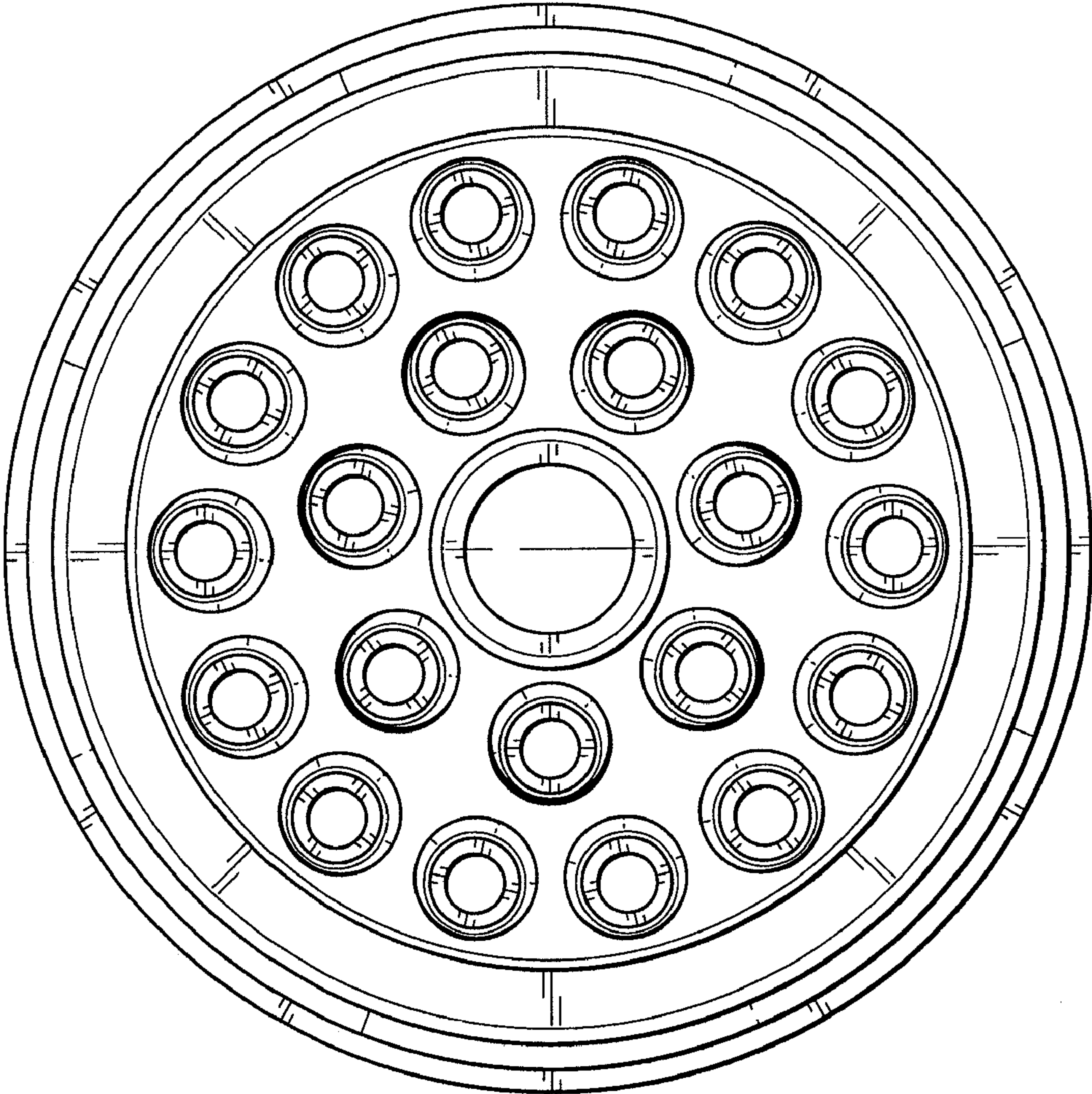


Fig. 5