



US00D641828S

(12) **United States Design Patent**
Green

(10) **Patent No.:** **US D641,828 S**

(45) **Date of Patent:** **** Jul. 19, 2011**

(54) **QUICK MOUNT NON-DESTRUCTIVE
TEMPORARY MOUNTING SYSTEM**

6,805,270 B1 * 10/2004 Fraser 224/673
6,869,146 B2 * 3/2005 Gollahon 43/21.2
D523,109 S * 6/2006 Palmer, Jr. D22/147

* cited by examiner

(76) Inventor: **Steven A. Green**, Spring Hill, KS (US)

Primary Examiner — Catheri Oliver

(**) Term: **14 Years**

(74) *Attorney, Agent, or Firm* — Mark E. Brown; Law Office of Mark Brown, LLC

(21) Appl. No.: **29/377,790**

(57) **CLAIM**

(22) Filed: **Oct. 26, 2010**

The ornamental design for a quick mount non-destructive temporary mounting system, as shown and described.

(51) **LOC (9) Cl.** **22-05**

DESCRIPTION

(52) **U.S. Cl.** **D22/134; D3/221; D22/147**

(58) **Field of Classification Search** D22/134,
D22/147; D3/221; 224/200, 222, 219, 269,
224/245, 661, 673, 922; 43/21.2, 22; 248/514
See application file for complete search history.

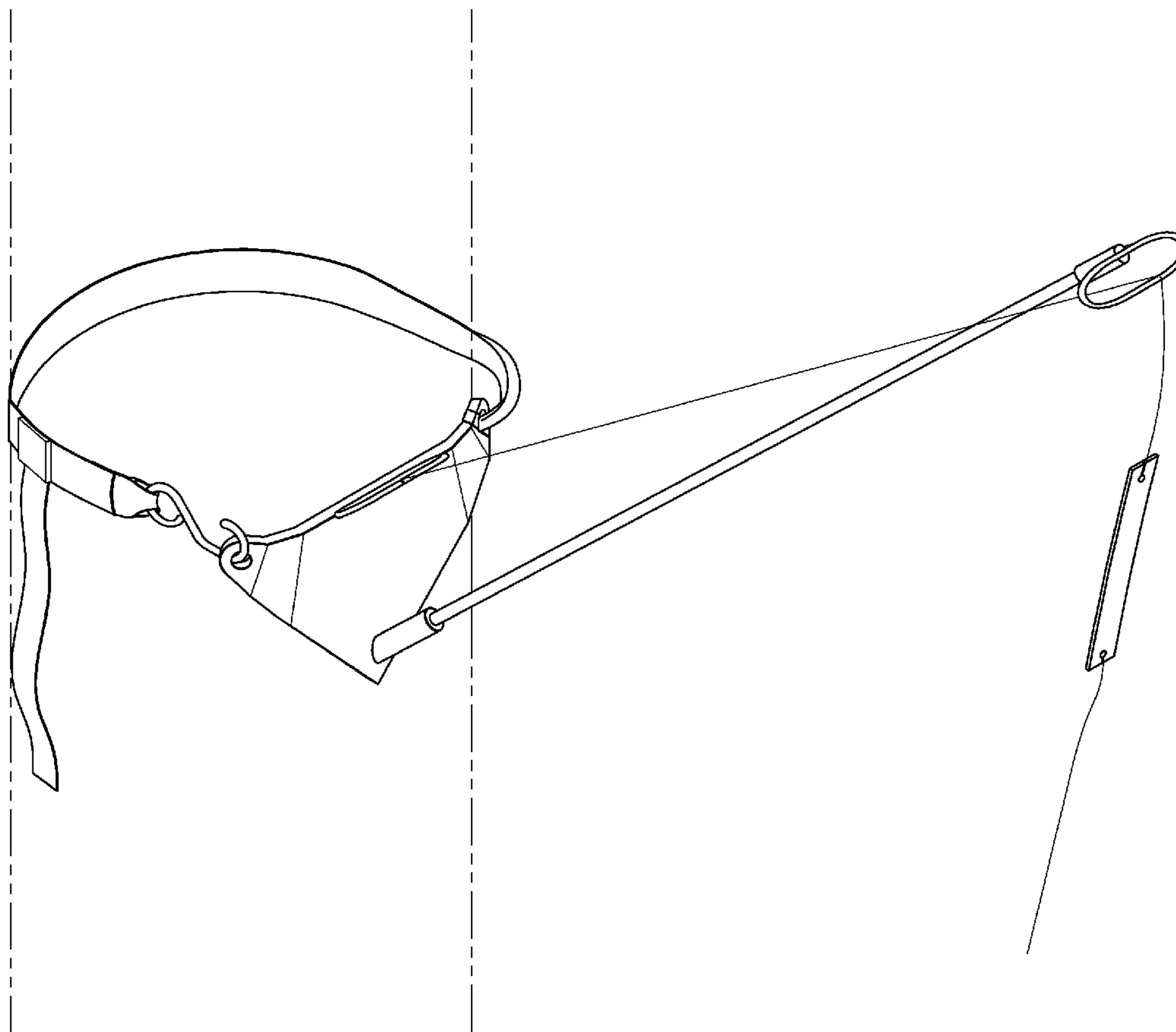
FIG. 1 is a perspective view of a quick mount non-destructive temporary mounting system;
FIG. 2 is a left side elevational view thereof; the right side is a mirror image thereof.
FIG. 3 is a front elevational view thereof;
FIG. 4 is a rear elevational view thereof;
FIG. 5 is a top plan view thereof; and,
FIG. 6 is a bottom plan view thereof.
The broken line showing of environment in the drawings is included for the purpose of illustrating only and forms no part of the claimed design.

(56) **References Cited**

U.S. PATENT DOCUMENTS

1,985,985 A * 1/1935 Gerline 224/200
4,587,757 A * 5/1986 Lirette 43/21.2
4,817,323 A * 4/1989 Braid 43/21.2
6,591,542 B1 * 7/2003 Jordan 43/21.2

1 Claim, 6 Drawing Sheets



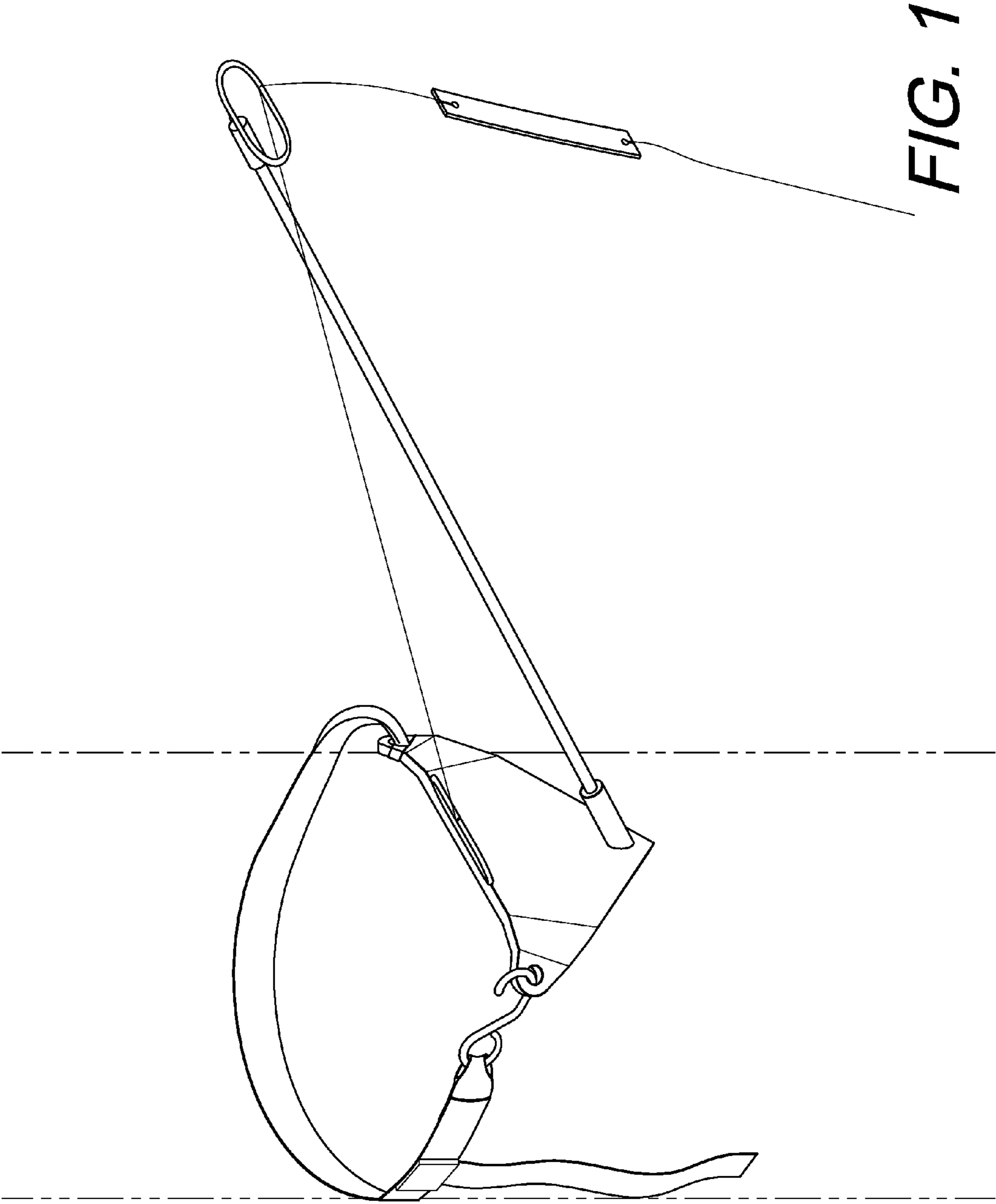
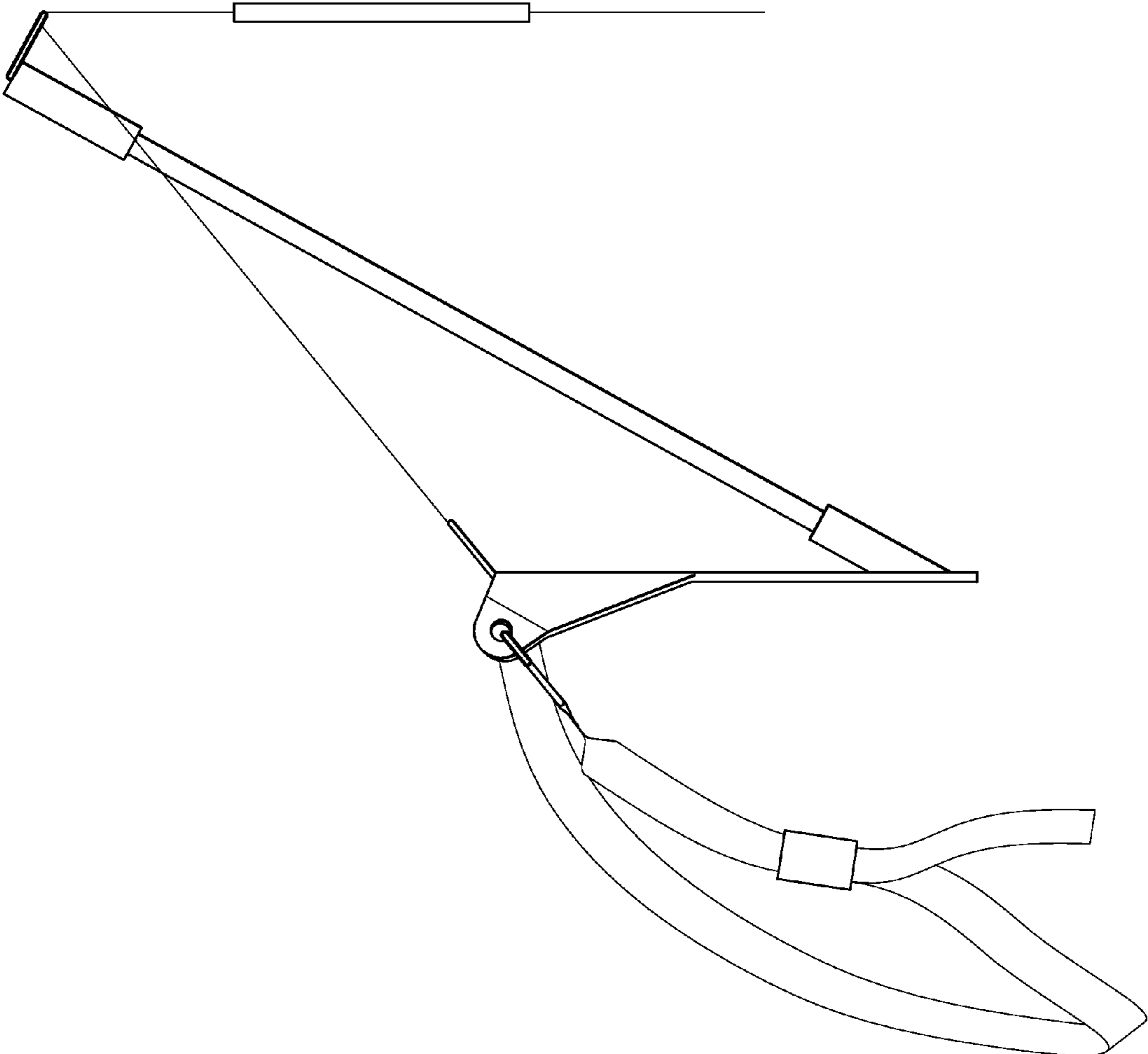


FIG. 2



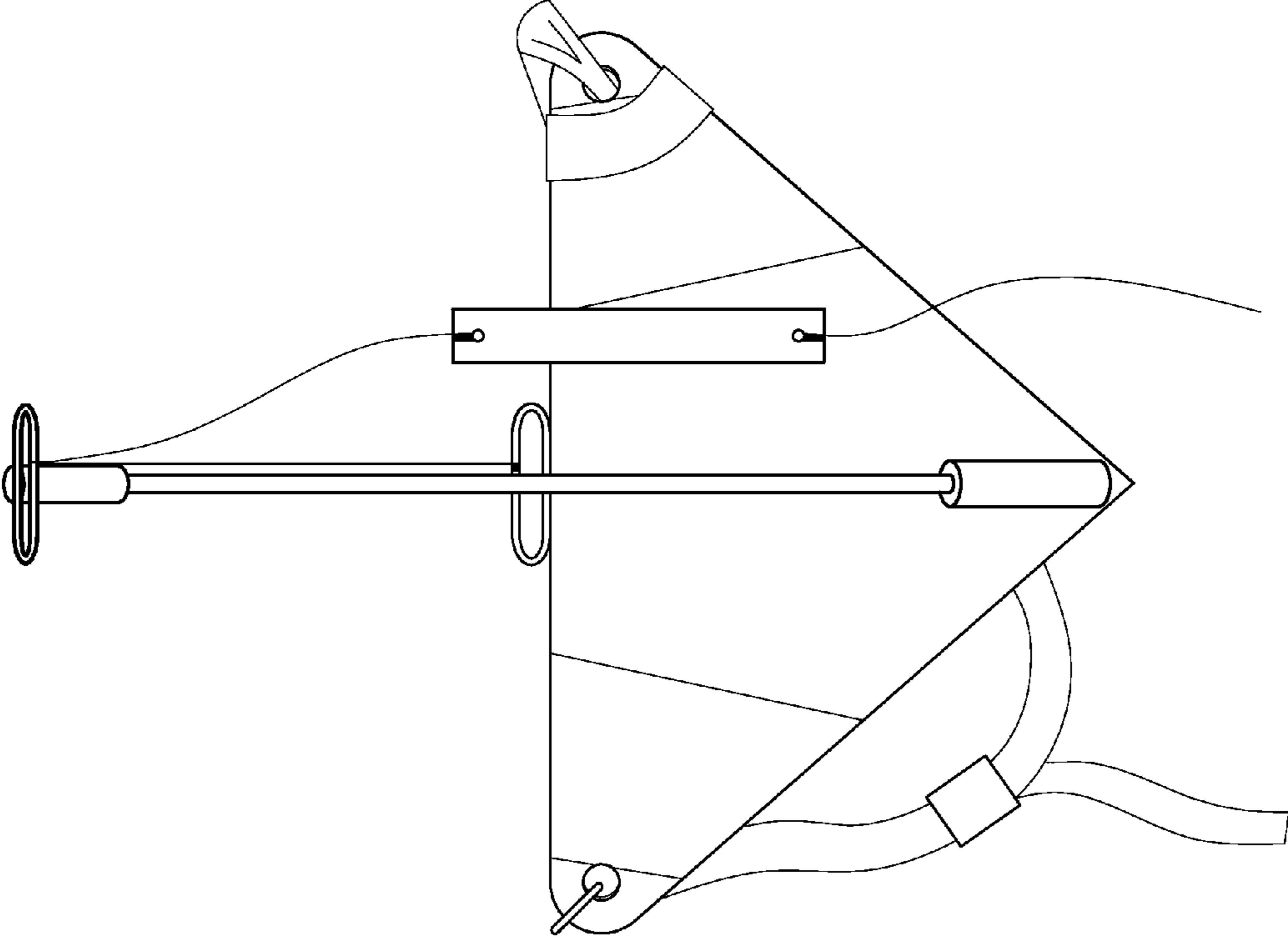


FIG. 3

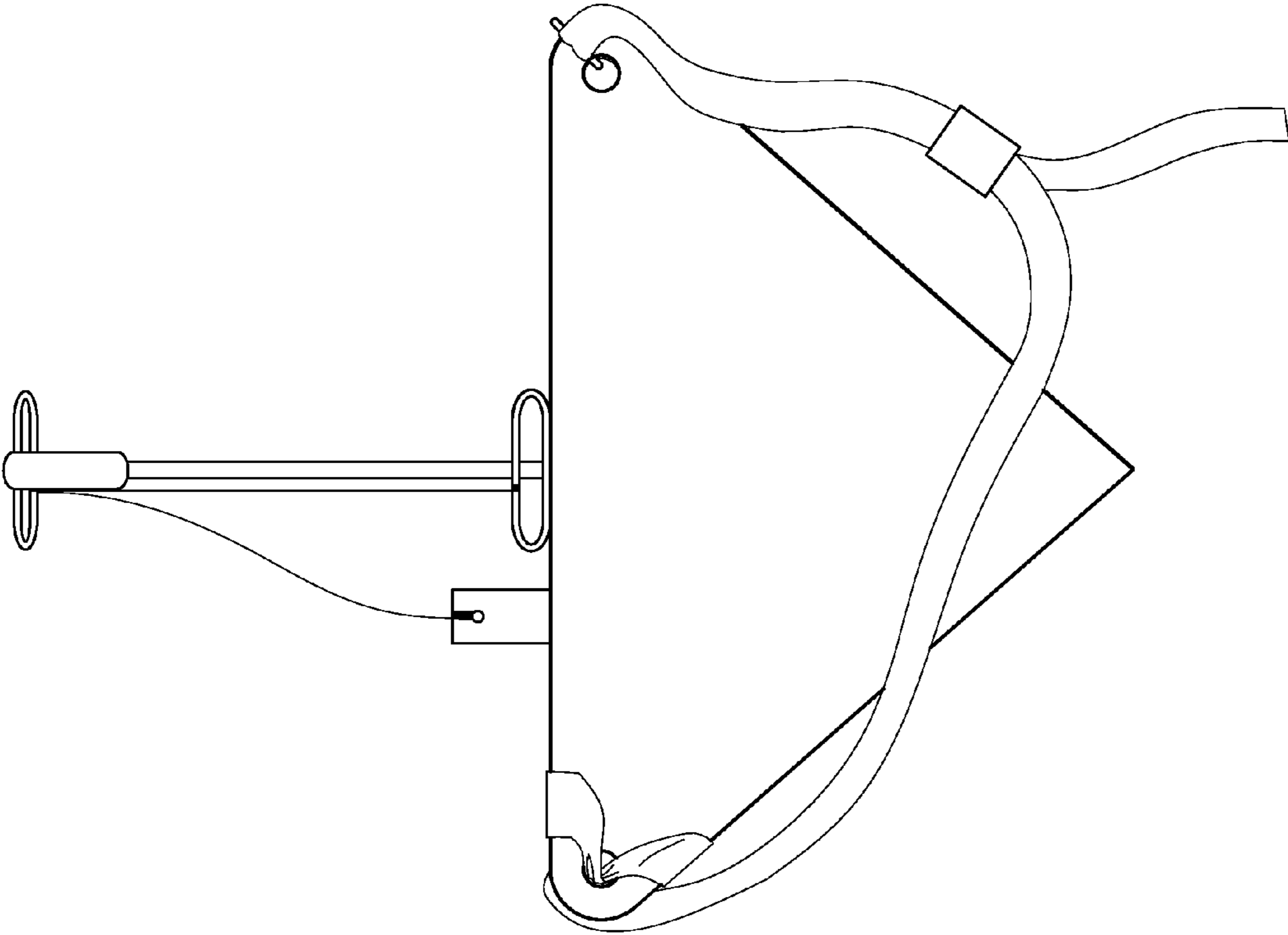


FIG. 4

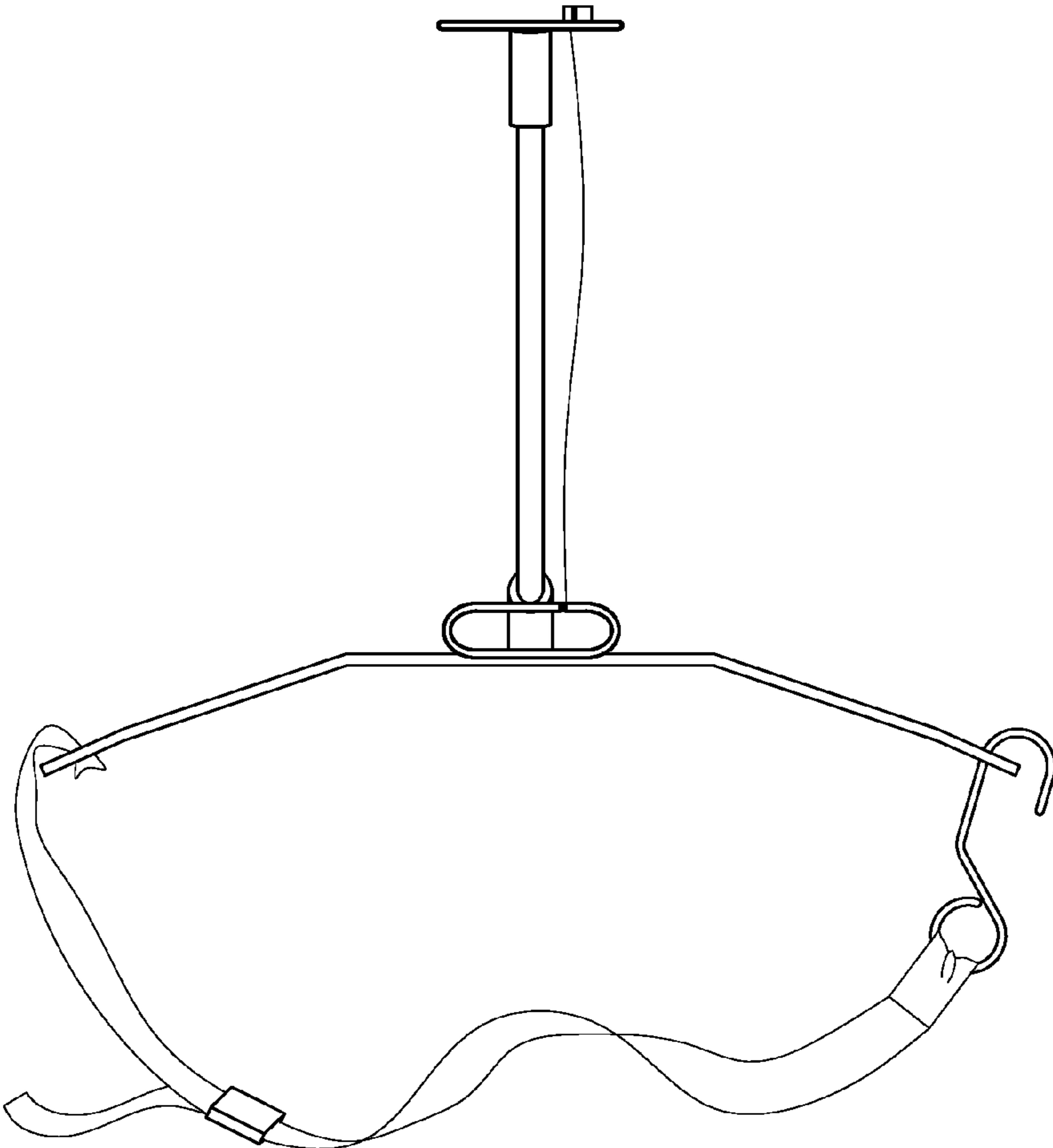


FIG. 5

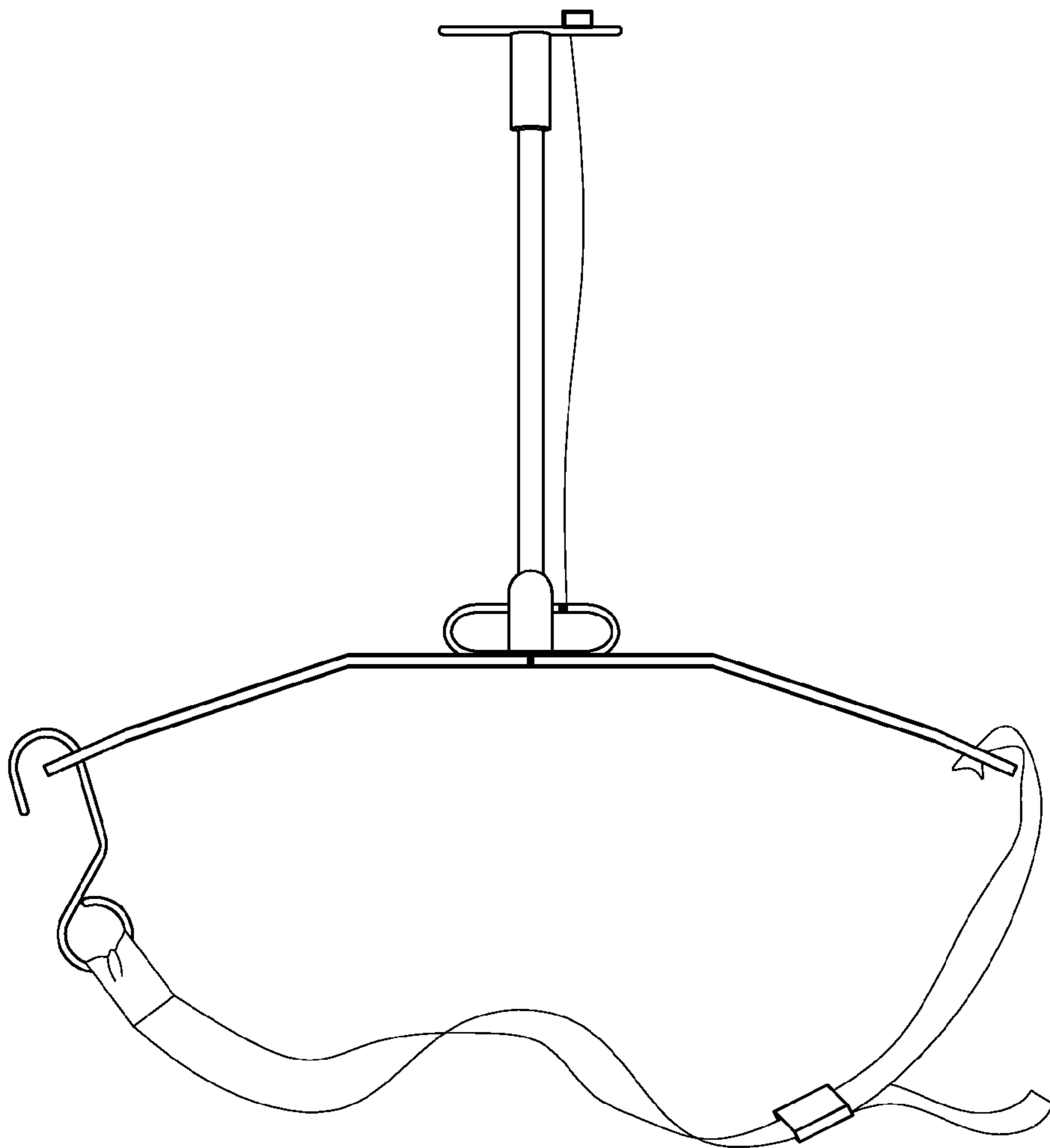


FIG. 6