



US00D641827S

(12) **United States Design Patent**
Errett

(10) **Patent No.:** **US D641,827 S**

(45) **Date of Patent:** **** Jul. 19, 2011**

(54) **CAPTURE NOCK FOR CROSSBOW ARROW**

(75) Inventor: **Robert O. Errett**, Staunton, VA (US)

(73) Assignee: **Parker Compound Bows, Inc.**, Mint Spring, VA (US)

(**) Term: **14 Years**

(21) Appl. No.: **29/370,895**

(22) Filed: **Sep. 20, 2010**

(51) **LOC (9) Cl.** **22-03**

(52) **U.S. Cl.** **D22/115**

(58) **Field of Classification Search** D22/100-101,
D22/107; D6/552; 42/94; 124/23, 86; 248/916;
211/64; 224/916

See application file for complete search history.

(56) **References Cited**

U.S. PATENT DOCUMENTS

4,305,588	A *	12/1981	Dodge	473/578
6,695,727	B1 *	2/2004	Kuhn	473/586
D595,803	S *	7/2009	Giles	D22/107

* cited by examiner

Primary Examiner — T. Chase Nelson

Assistant Examiner — Michael Pratt

(74) *Attorney, Agent, or Firm* — Daniel L. Fitch; Wharton, Aldhizer & Weaver, PLC

(57) **CLAIM**

The ornamental design for a capture nock for a crossbow arrow, as shown and described.

DESCRIPTION

FIG. 1 is a bottom perspective view of a capture nock for a crossbow arrow showing the new design.

FIG. 2 is a top perspective view thereof;

FIG. 3 is a front view thereof;

FIG. 4 is a back view thereof;

FIG. 5 is a left side view thereof;

FIG. 6 is a right side view thereof;

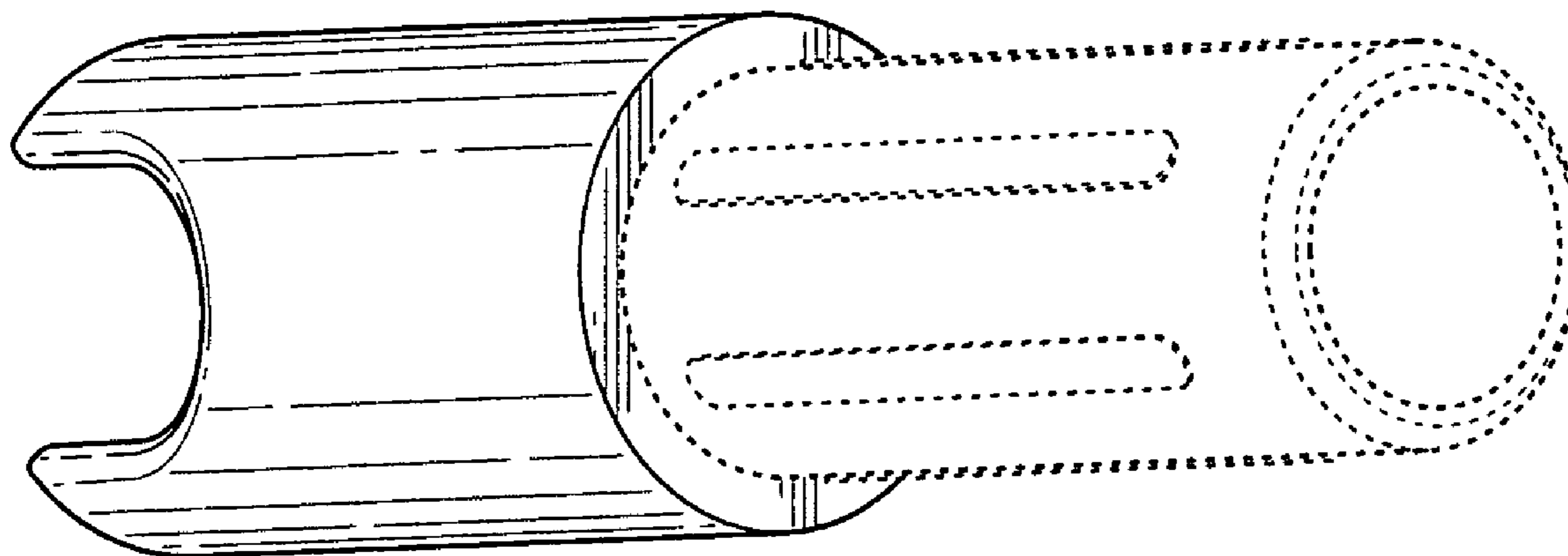
FIG. 7 is a bottom view thereof; and,

FIG. 8 is a top view thereof.

The broken lines showing of portions of the capture nock for a crossbow in FIGS. 1-8 are included for purpose of illustrating environment and form no part of the claimed design.

The claimed capture nock for a crossbow arrow is used for proper alignment of a crossbow arrow and to reduce the likelihood of dry-firing the cocked crossbow.

1 Claim, 4 Drawing Sheets



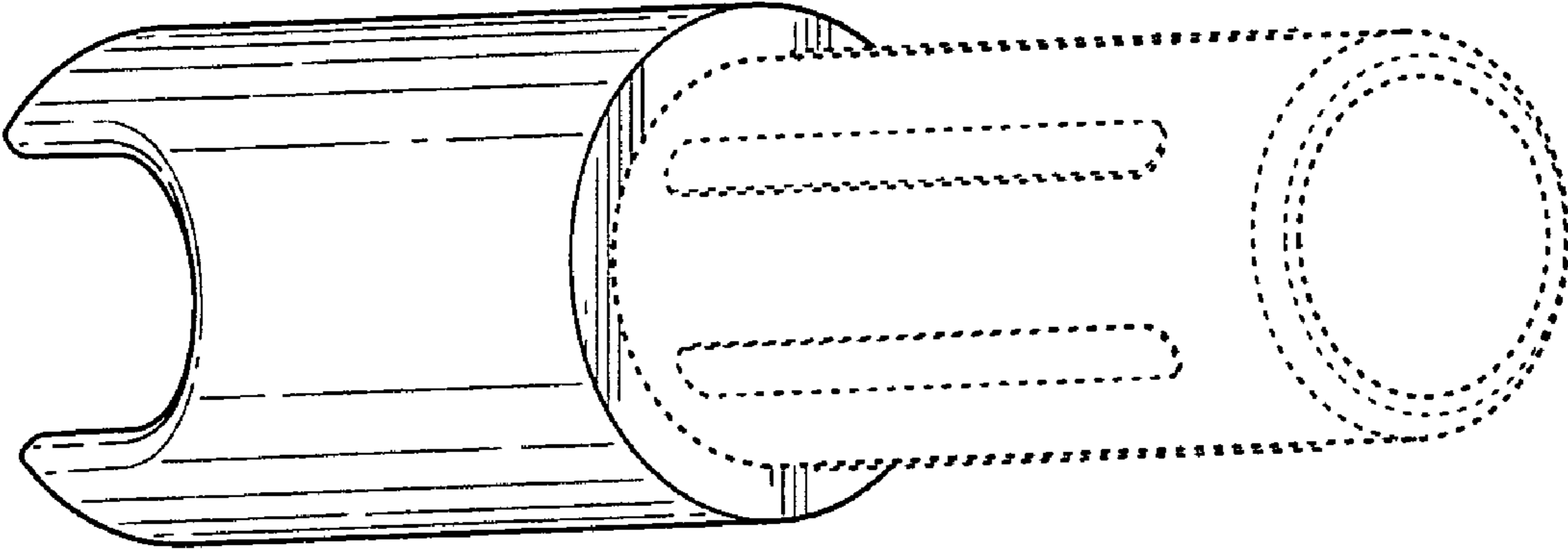


FIG. 1

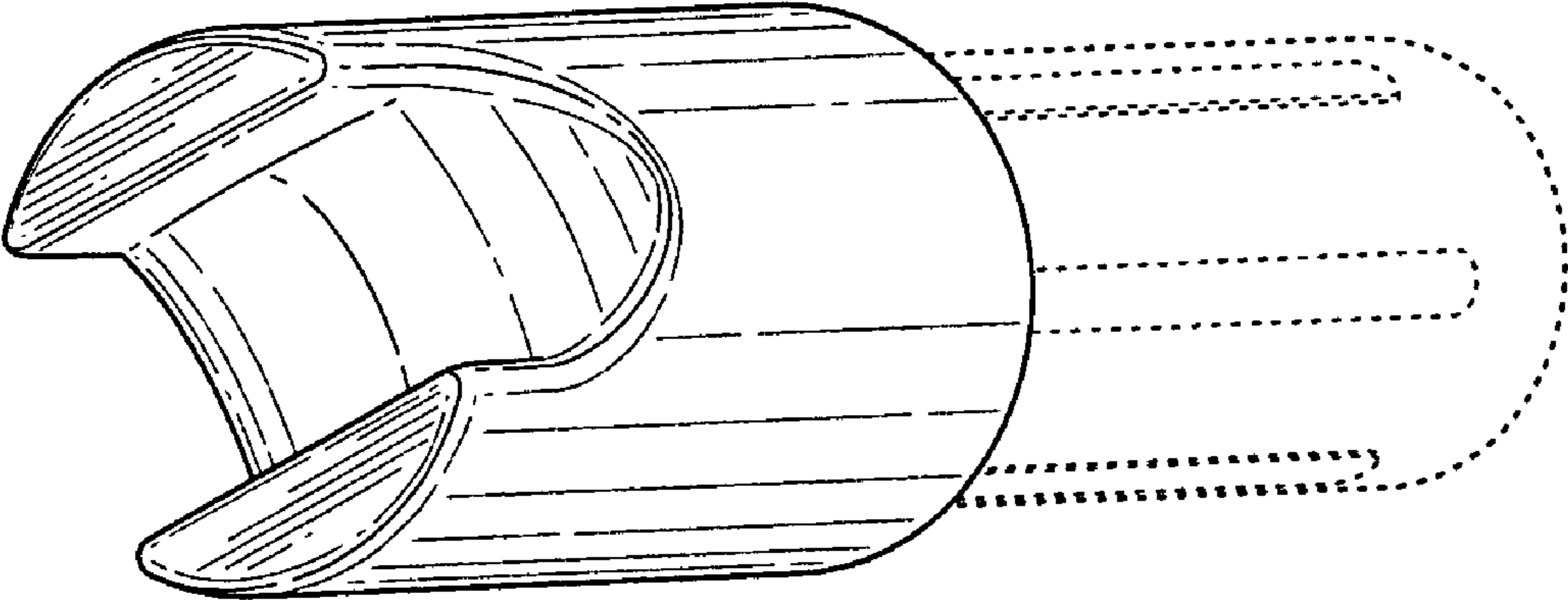


FIG. 2

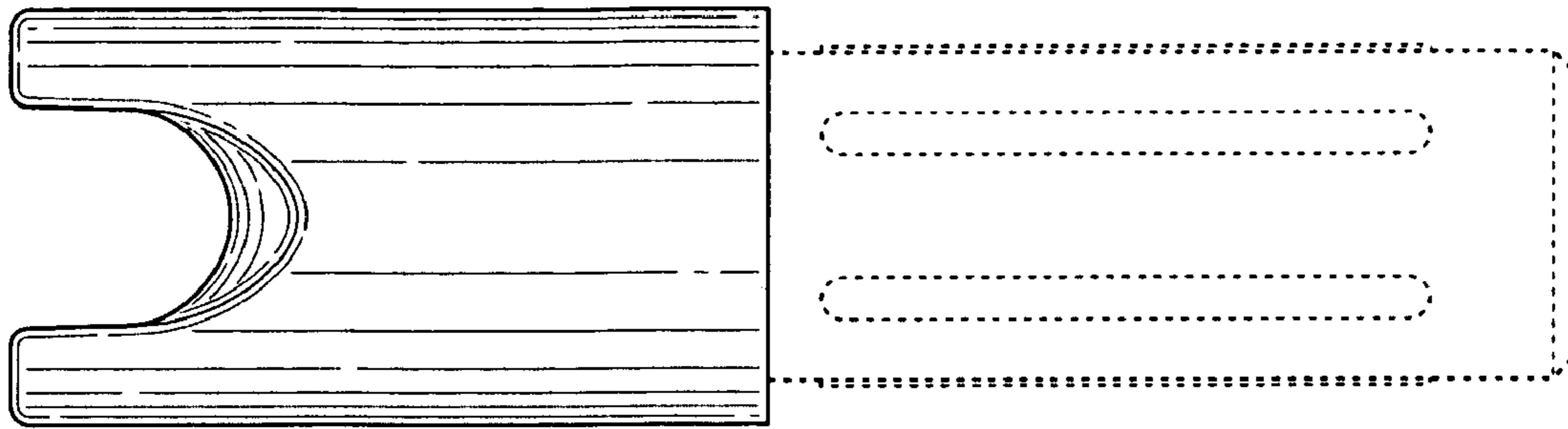


FIG. 3

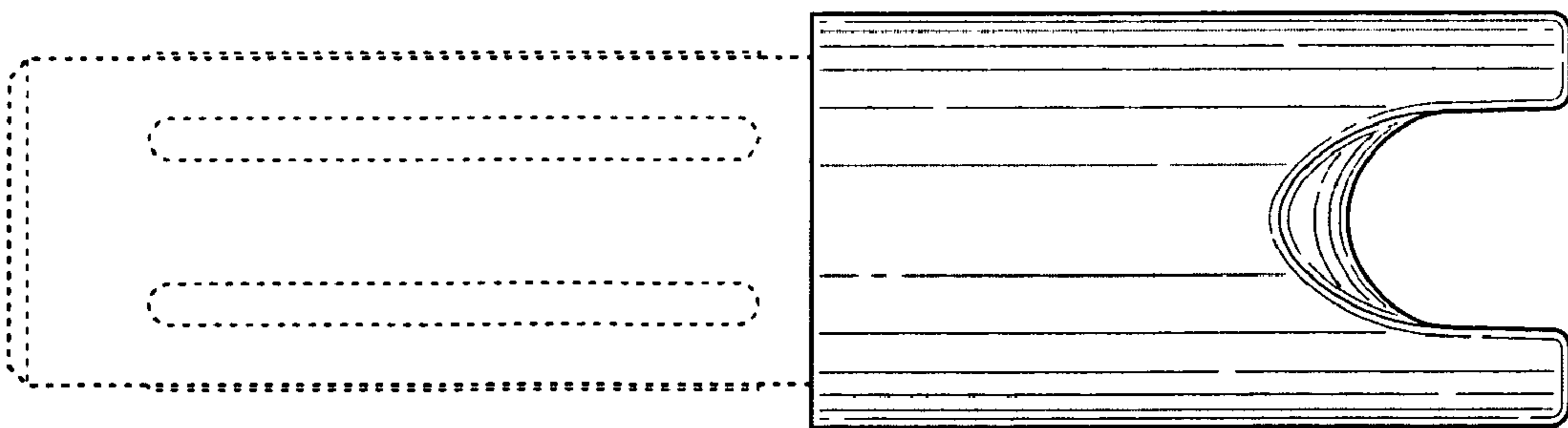


FIG. 4

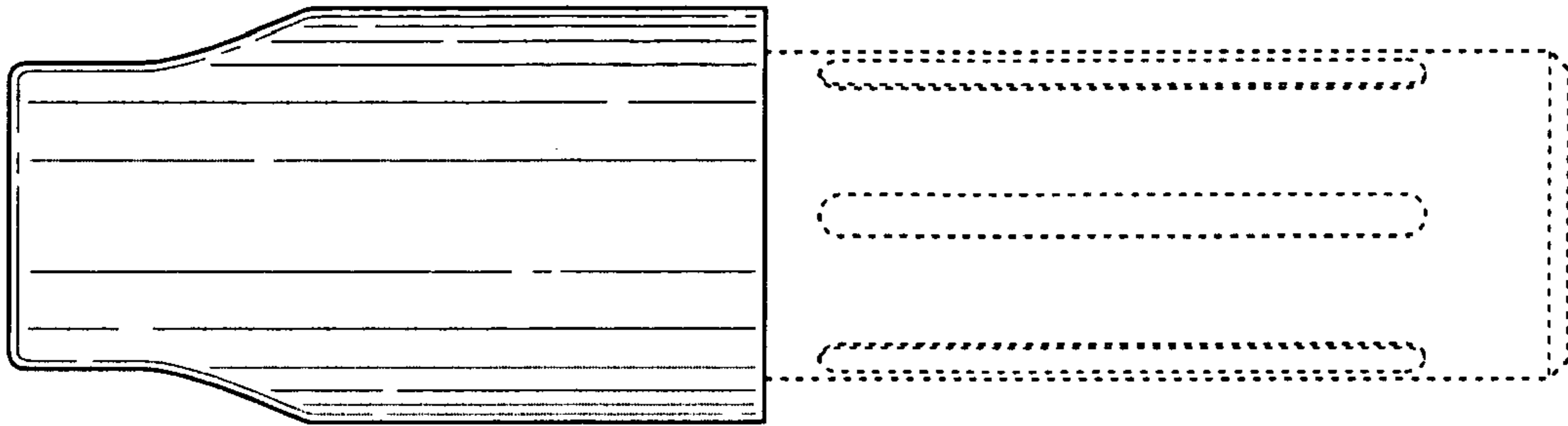


FIG. 5

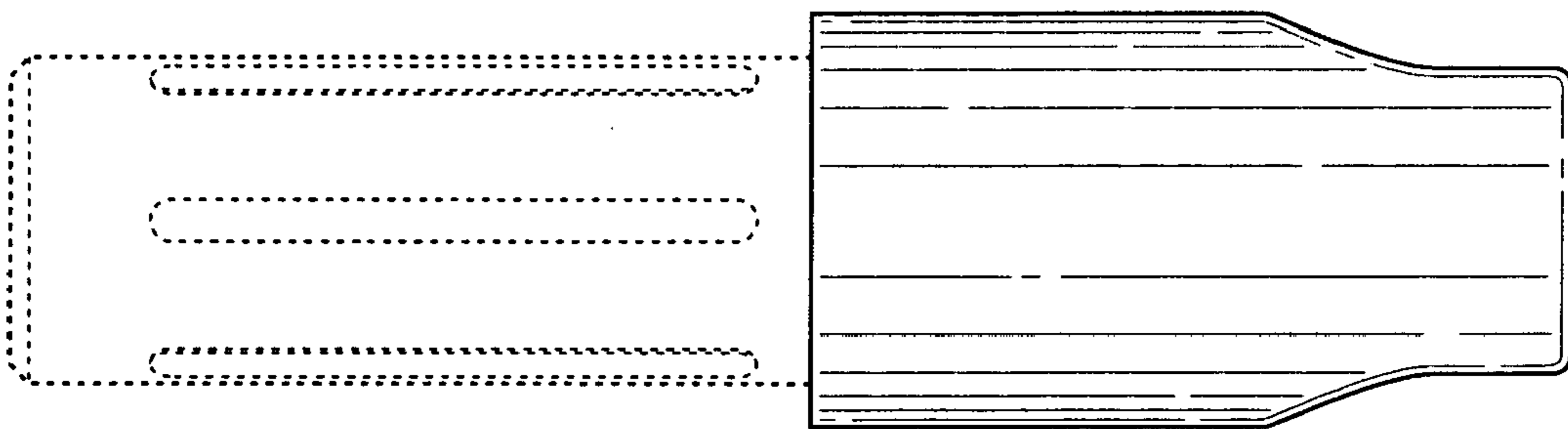


FIG. 6

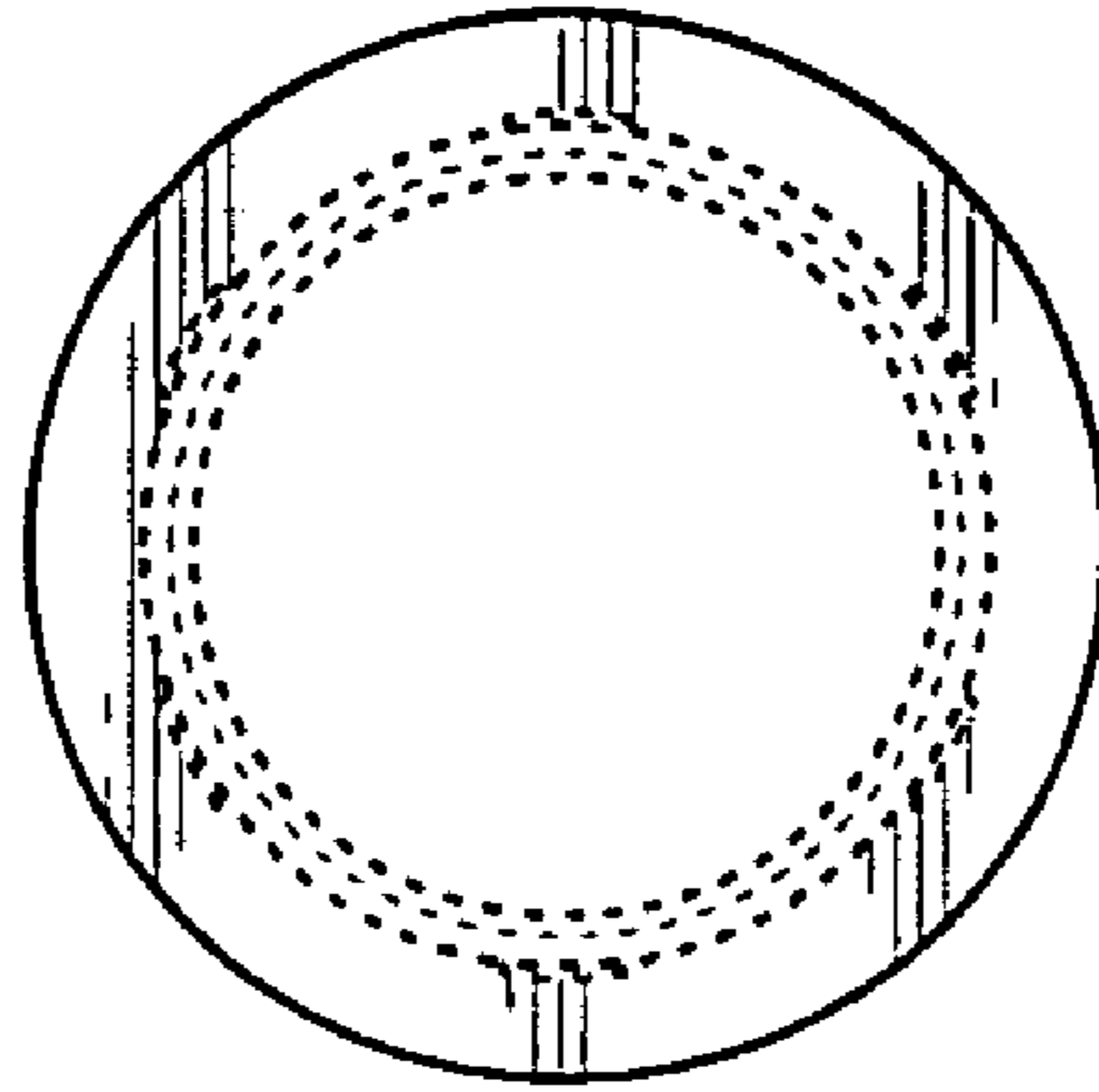


FIG. 7

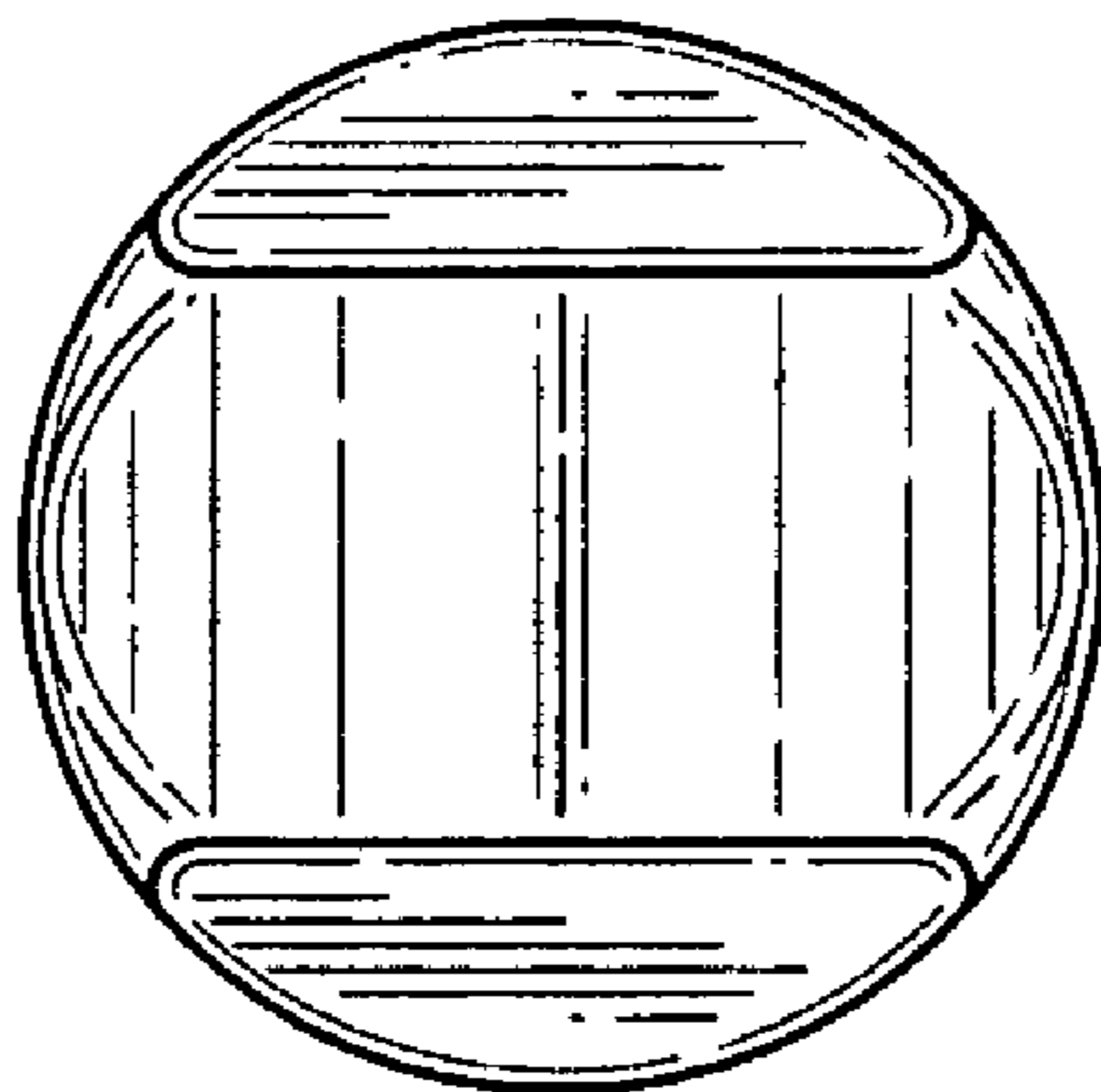


FIG. 8