

US00D641825S

(12) **United States Design Patent**
Gridelet

(10) **Patent No.:** **US D641,825 S**

(45) **Date of Patent:** **** Jul. 19, 2011**

(54) **ASSAULT RIFLE**

(75) **Inventor:** **Benoit Marie Gridelet, Wandre (BE)**

(73) **Assignee:** **FN Herstal SA, Herstal (BE)**

(**) **Term:** **14 Years**

(21) **Appl. No.:** **29/363,428**

(22) **Filed:** **Jun. 9, 2010**

(30) **Foreign Application Priority Data**

Mar. 30, 2010 (EM) 001688755-01-07

(51) **LOC (9) Cl.** **22-01**

(52) **U.S. Cl.** **D22/103**

(58) **Field of Classification Search** D22/100,
D22/101, 103, 104, 108, 199; D21/572,
D21/573; 42/51, 71.01, 75.01, 75.02, 90,
42/94, 134, 136, 139, 125, 72, 111; 124/67,
124/66, 72, 74; 362/110; 89/40.06, 41.19,
89/37.04, 33.04, 191.01, 200-204

See application file for complete search history.

(56) **References Cited**

U.S. PATENT DOCUMENTS

7,797,873 B2 * 9/2010 Gering et al. 42/105
2008/0236017 A1 * 10/2008 Fitzpatrick et al. 42/73
2010/0186582 A1 * 7/2010 Juarez 89/191.01

2011/0017788 A1 * 1/2011 Haley et al. 224/150

* cited by examiner

Primary Examiner — T. Chase Nelson

Assistant Examiner — Michael Pratt

(74) *Attorney, Agent, or Firm* — Ladas & Parry LLP

(57) **CLAIM**

The ornamental design for an assault rifle, as shown and described.

DESCRIPTION

FIG. 1 is a perspective view from above to the right side and toward the front end of the assault rifle which is the subject of my new design;

FIG. 2 is a perspective view from above, to the left side and toward the front end thereof;

FIG. 3 is a perspective view from above, to the right side and toward the rear end thereof;

FIG. 4 is a perspective view from above, to the left side and toward the rear end thereof;

FIG. 5 is a right side elevational view thereof;

FIG. 6 is a left side elevational view thereof;

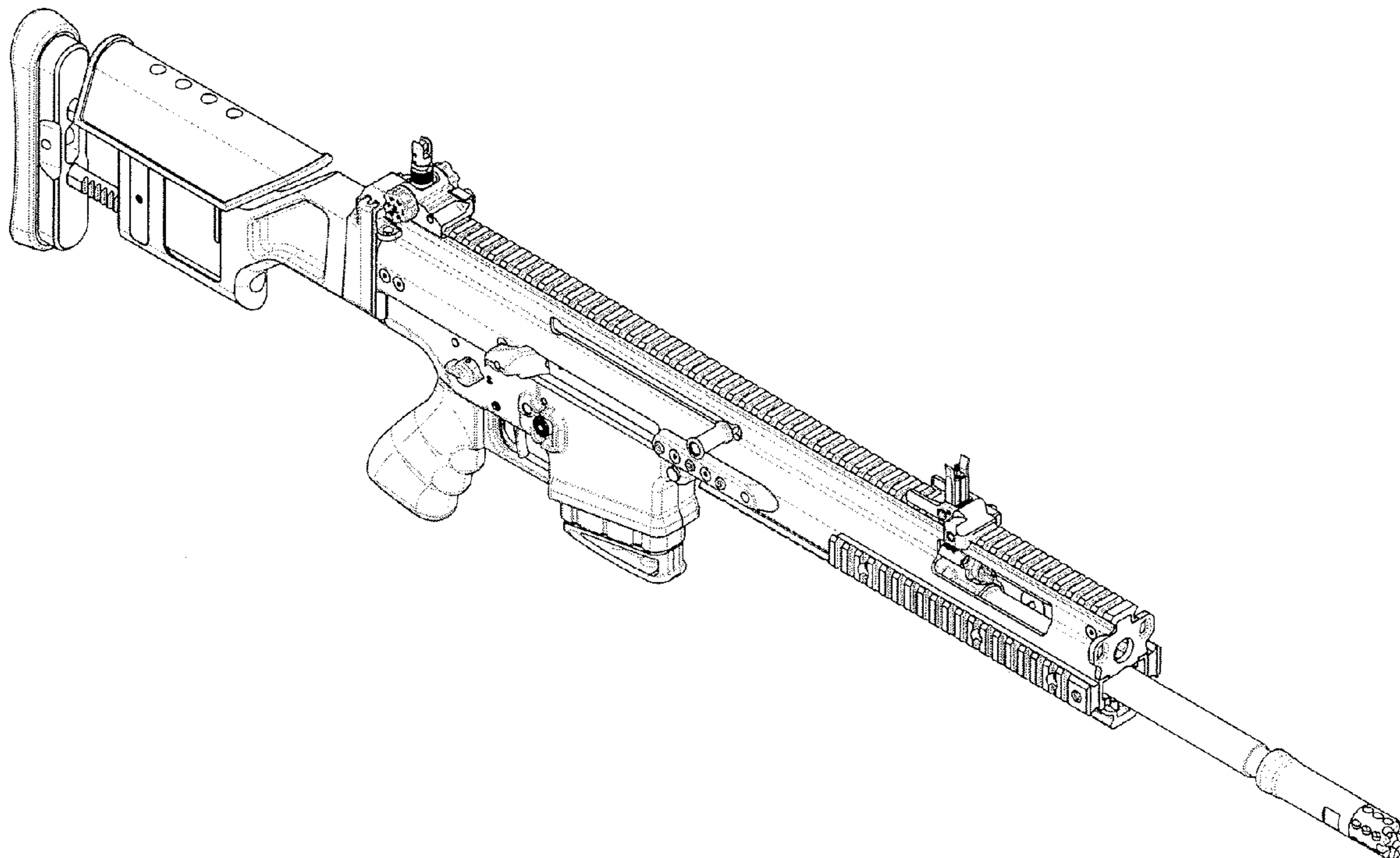
FIG. 7 is a top plan view thereof;

FIG. 8 is a bottom plan view thereof;

FIG. 9 is a front elevational view thereof; and,

FIG. 10 is a rear elevational view thereof.

1 Claim, 10 Drawing Sheets



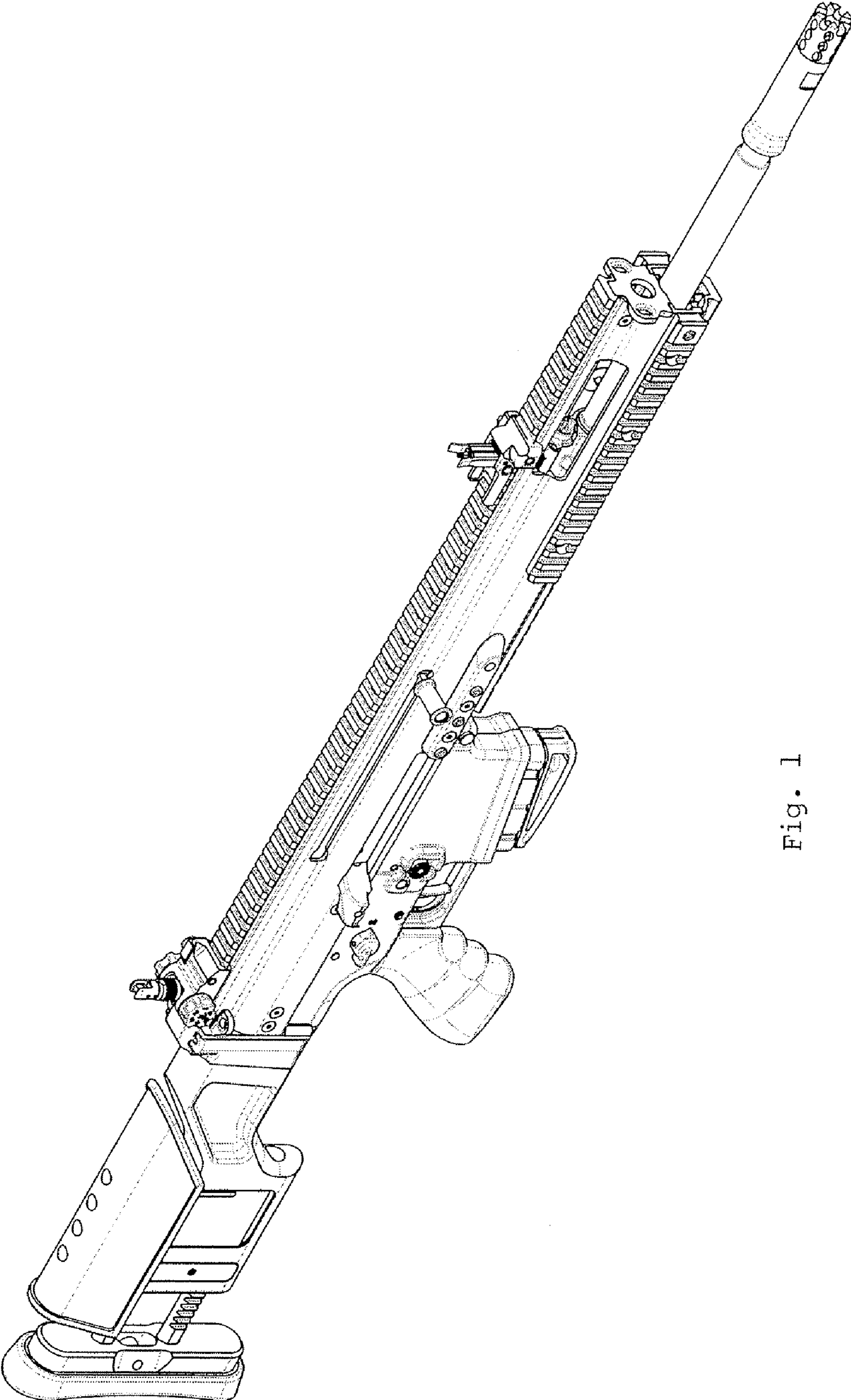


Fig. 1

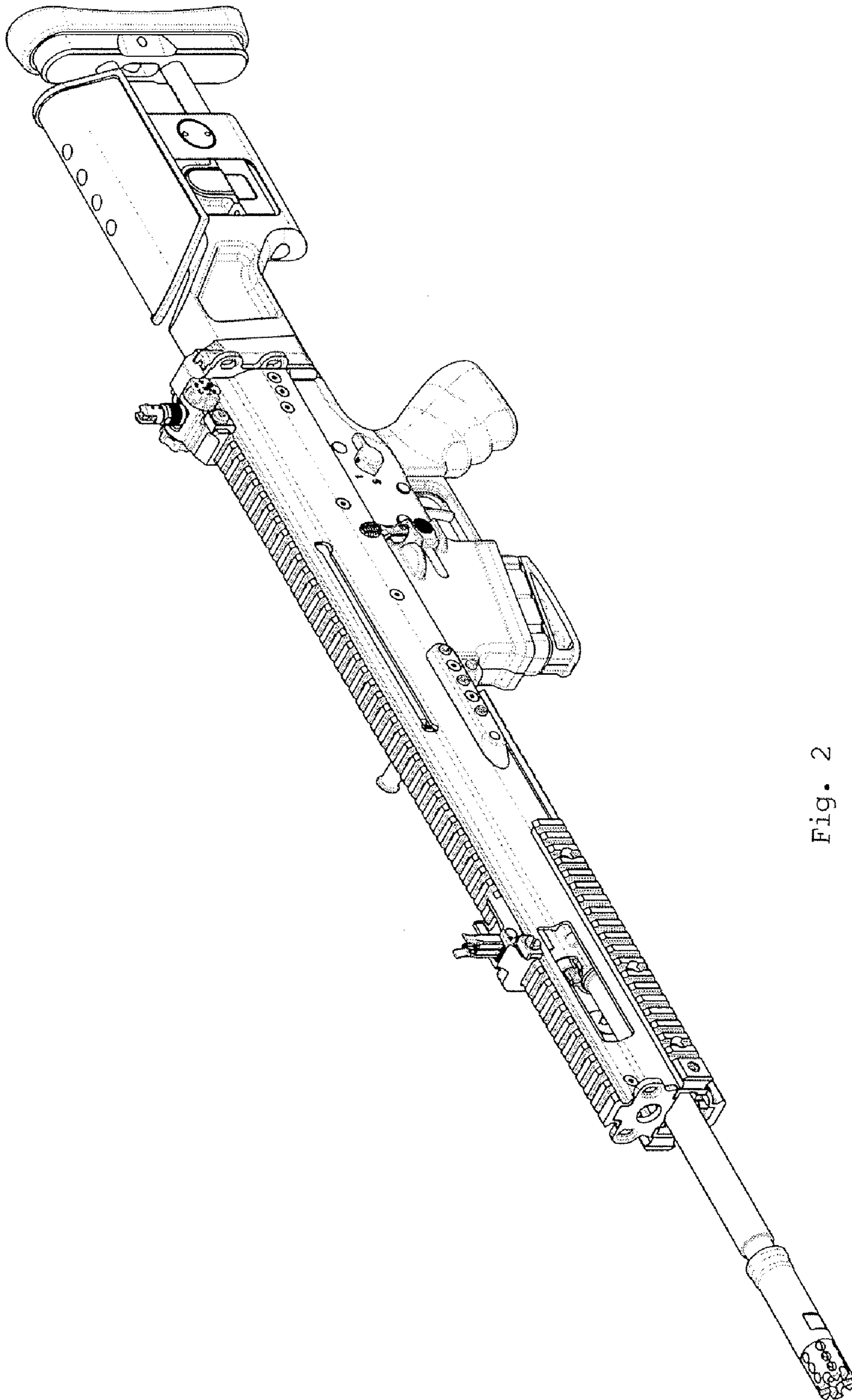


Fig. 2

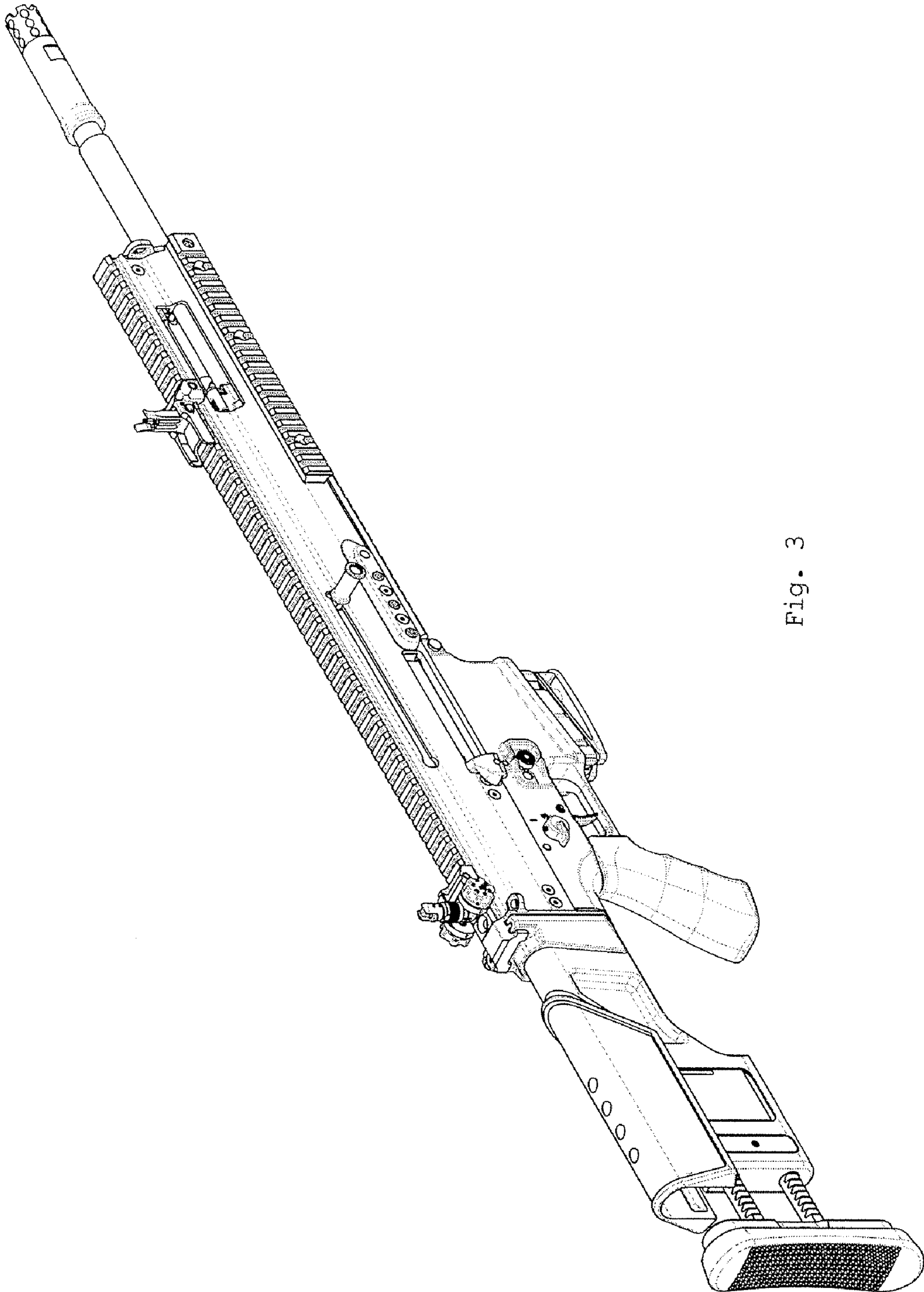


Fig. 3

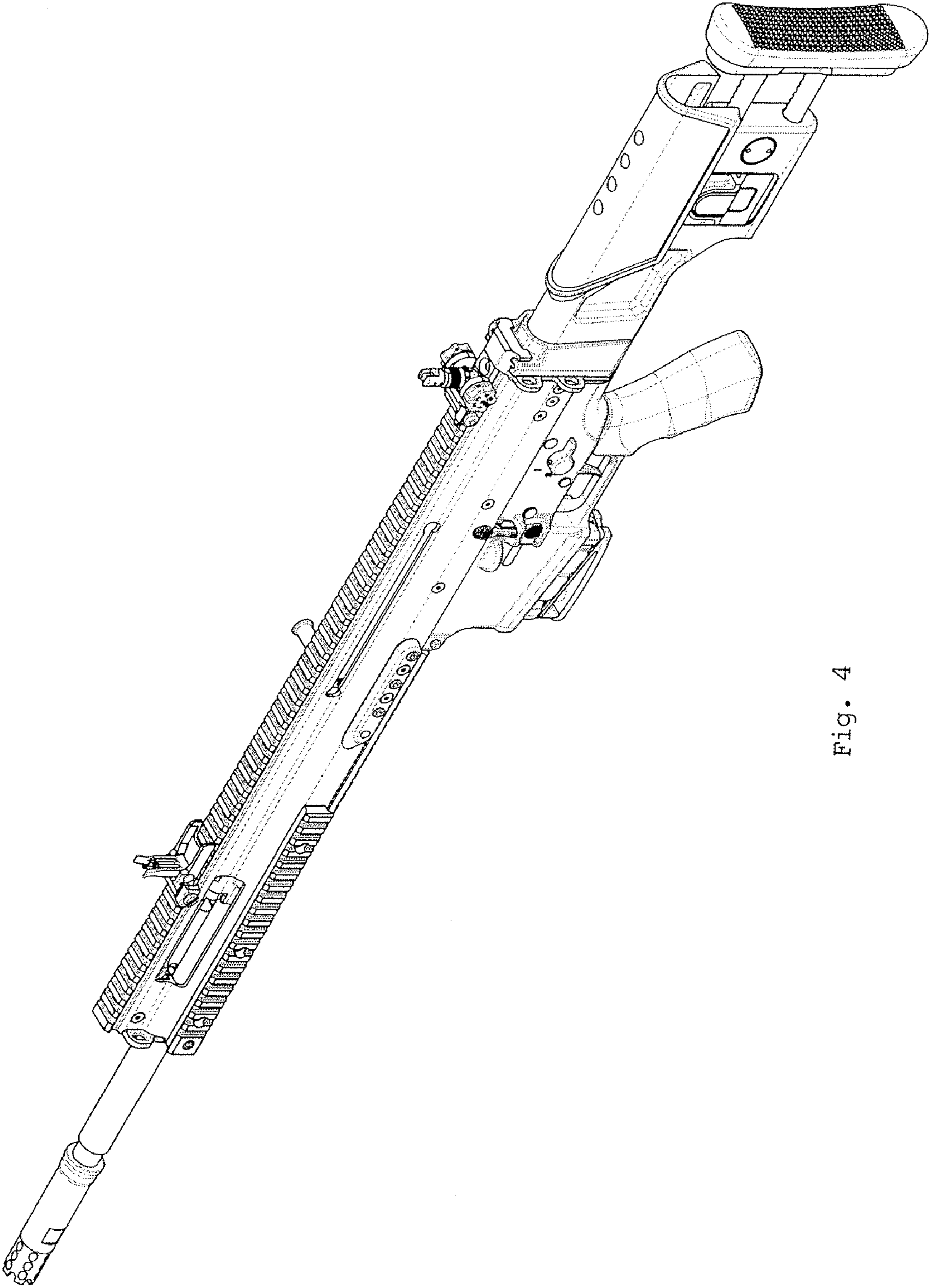


Fig. 4

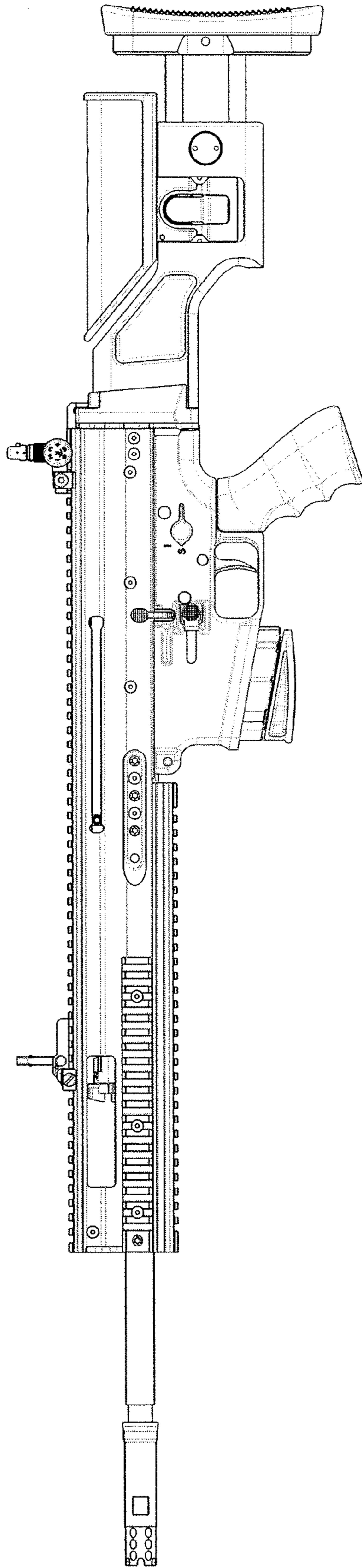


Fig. 5

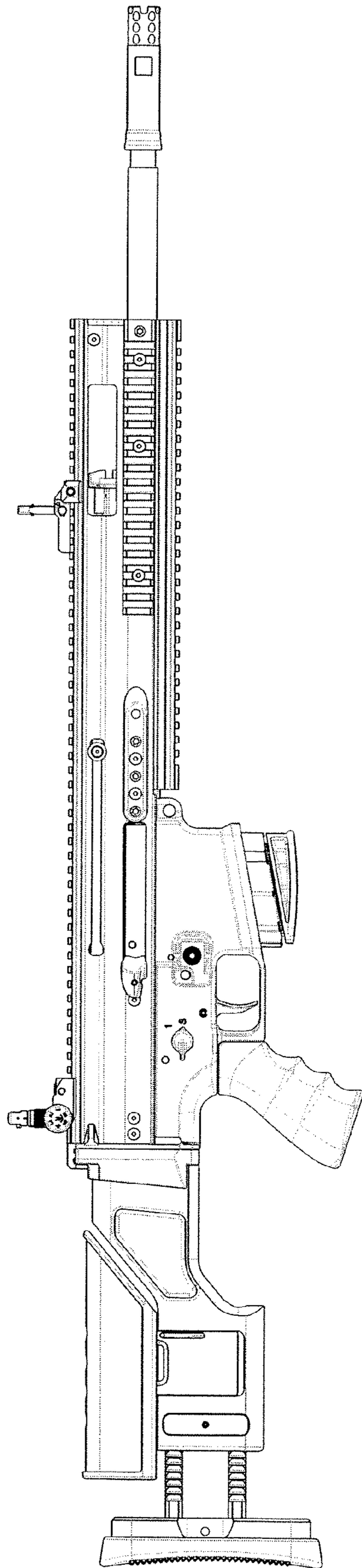


Fig. 6

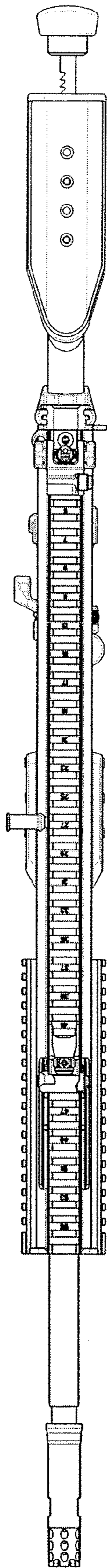


Fig. 7

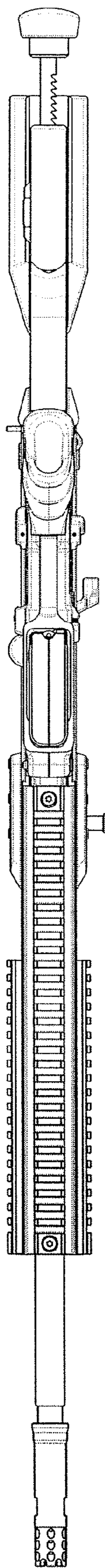


Fig. 8

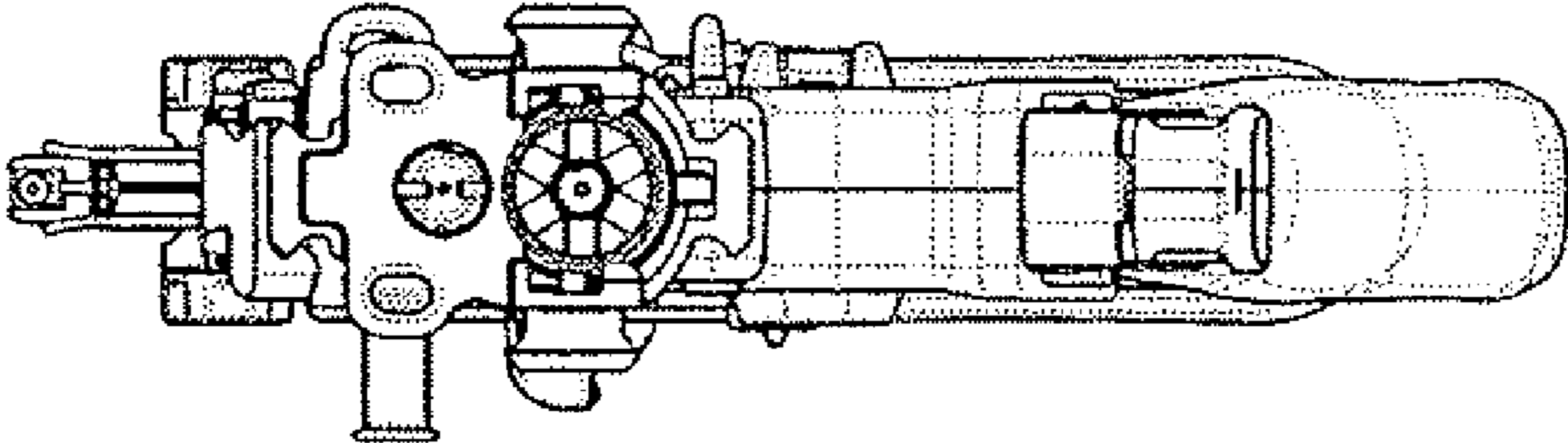


Fig. 9

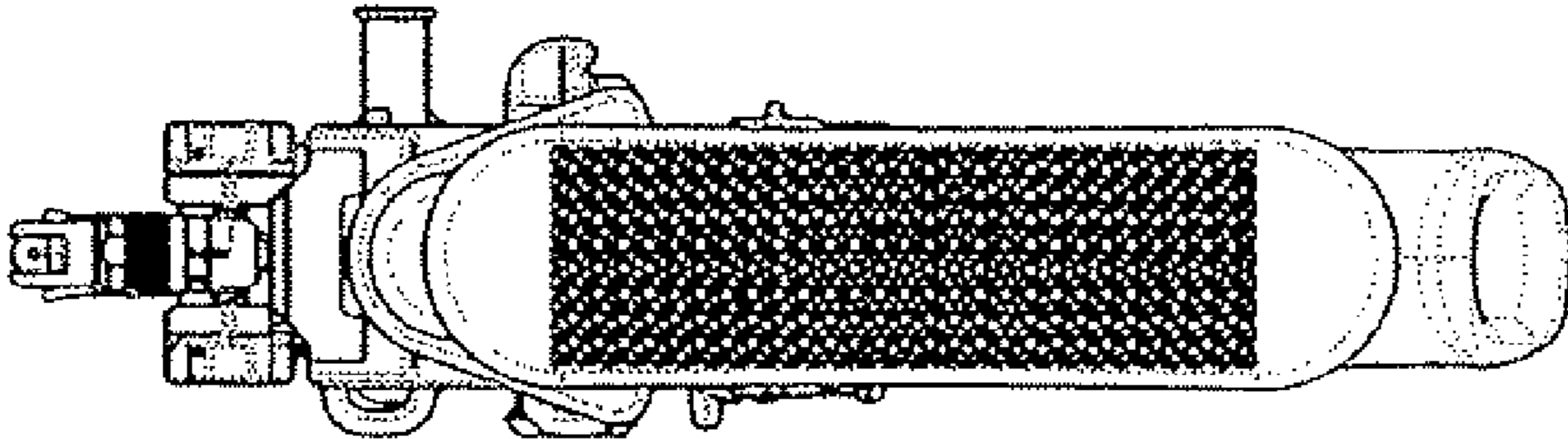


Fig. 10