



US00D641824S

(12) **United States Design Patent**  
**Gridelet**

(10) **Patent No.:** **US D641,824 S**

(45) **Date of Patent:** **\*\* Jul. 19, 2011**

(54) **ASSAULT RIFLE**

2011/0017788 A1\* 1/2011 Haley et al. .... 224/150  
\* cited by examiner

(75) Inventor: **Benoit Marie Gridelet**, Wandre (BE)

*Primary Examiner* — T. Chase Nelson

(73) Assignee: **FN Herstal SA**, Herstal (BE)

*Assistant Examiner* — Michael Pratt

(\*\*) Term: **14 Years**

(74) *Attorney, Agent, or Firm* — Ladas & Parry LLP

(21) Appl. No.: **29/363,427**

(57) **CLAIM**

(22) Filed: **Jun. 9, 2010**

The ornamental design for an assault rifle, as shown and described.

(30) **Foreign Application Priority Data**

**DESCRIPTION**

Mar. 24, 2010 (EM) ..... 001686296-0001

(51) **LOC (9) Cl.** ..... **22-01**

FIG. 1 is a perspective view from above to the right side and toward the front end of the assault rifle which is the subject of my new design;

(52) **U.S. Cl.** ..... **D22/103**

FIG. 2 is a perspective view from above, to the left side and toward the front end thereof;

(58) **Field of Classification Search** ..... D22/100,  
D22/101, 103, 104, 108, 199; D21/572,  
D21/573; 42/51, 71.01, 75.01, 75.02, 90,  
42/94, 134, 136, 139, 125, 72, 111; 124/67,  
124/66, 72, 74; 362/110; 89/40.06, 41.19,  
89/37.04, 33.04, 191.01, 200-204

FIG. 3 is a perspective view from above, to the right side and toward the rear end thereof;

See application file for complete search history.

FIG. 4 is a perspective view from above, to the left side and toward the rear end thereof;

(56) **References Cited**

FIG. 5 is a right side elevational view thereof;

**U.S. PATENT DOCUMENTS**

7,797,873 B2\* 9/2010 Gering et al. .... 42/105  
2008/0236017 A1\* 10/2008 Fitzpatrick et al. .... 42/73  
2010/0186582 A1\* 7/2010 Juarez ..... 89/191.01

FIG. 6 is a left side elevational view thereof;

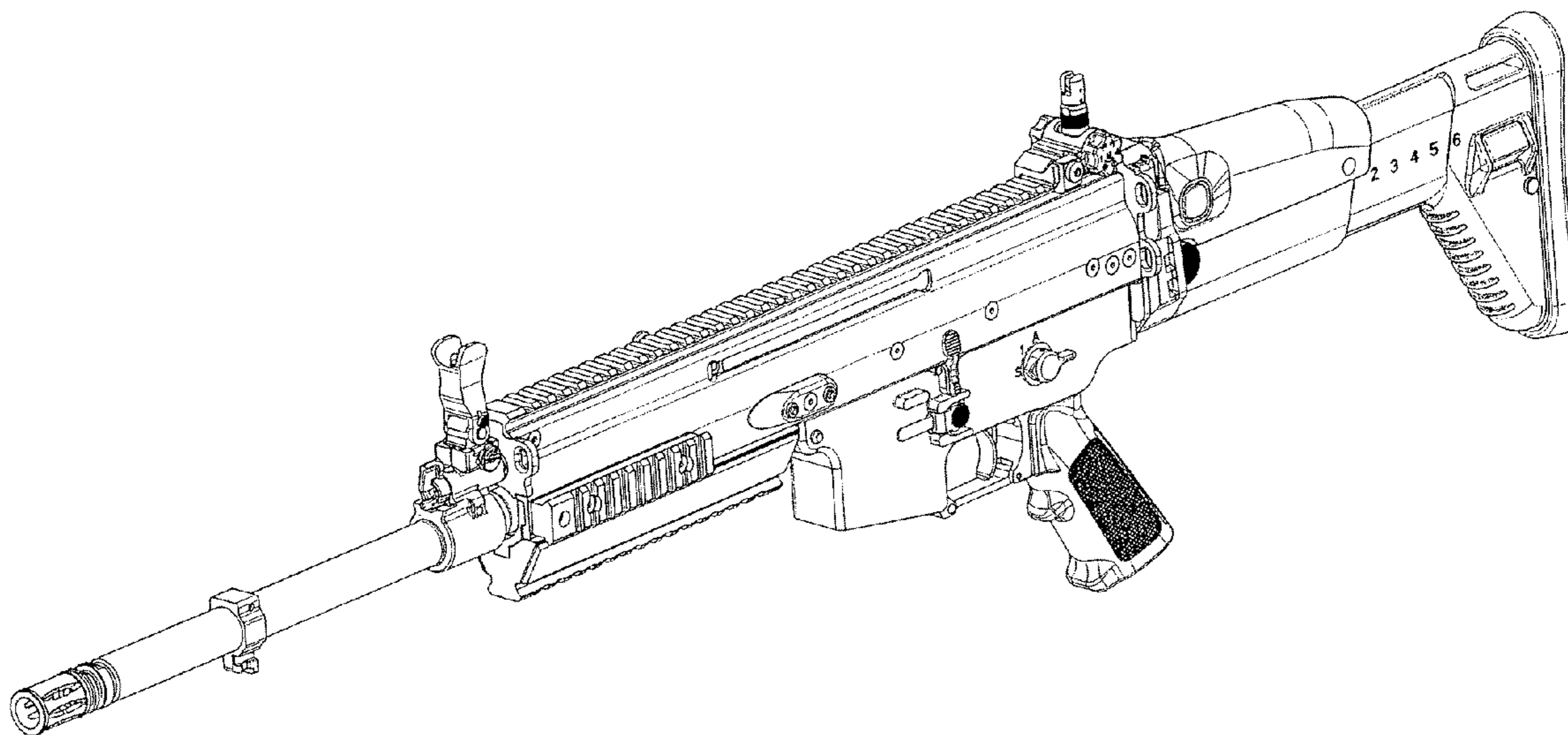
FIG. 7 is a top plan view thereof;

FIG. 8 is a bottom plan view thereof;

FIG. 9 is a front elevational view thereof; and,

FIG. 10 is a rear elevational view thereof.

**1 Claim, 10 Drawing Sheets**



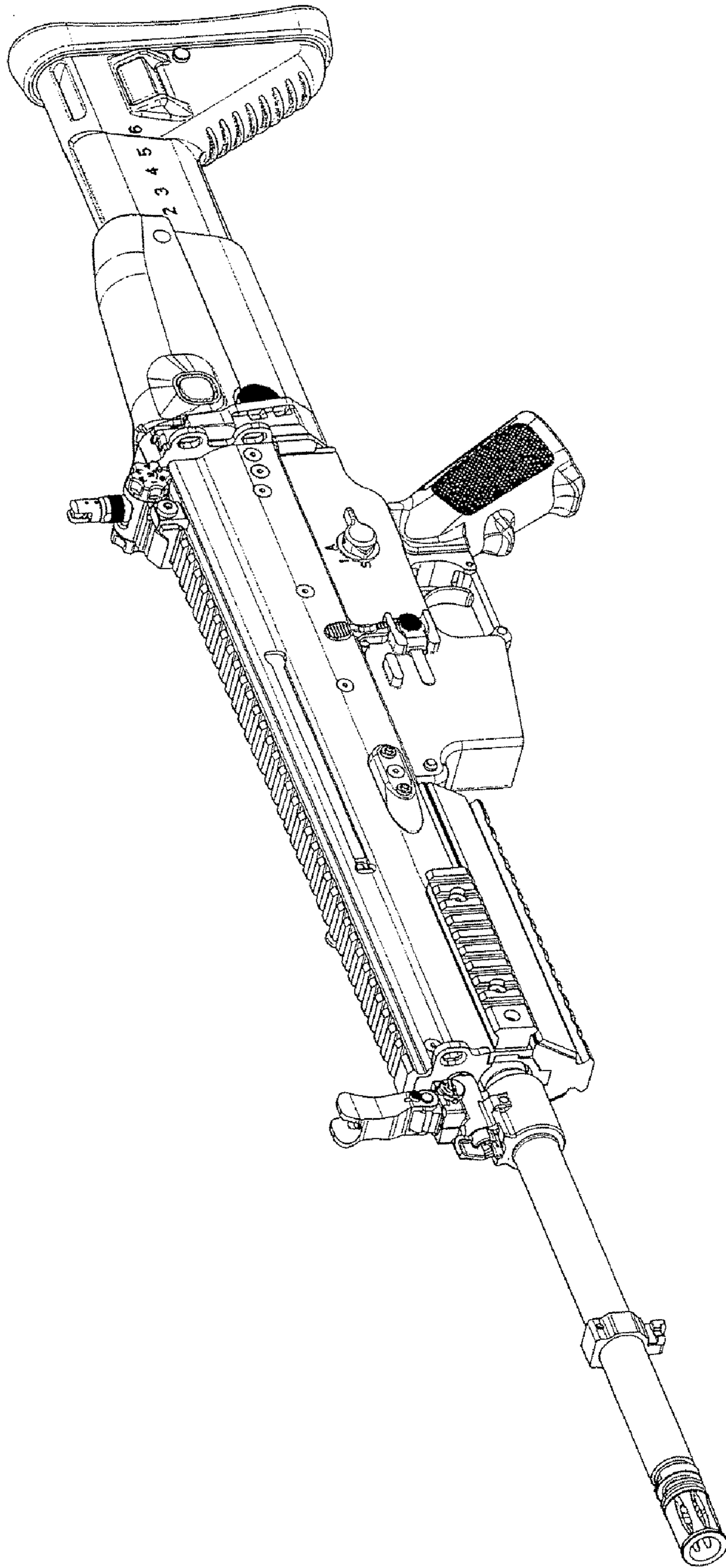


Fig. 1

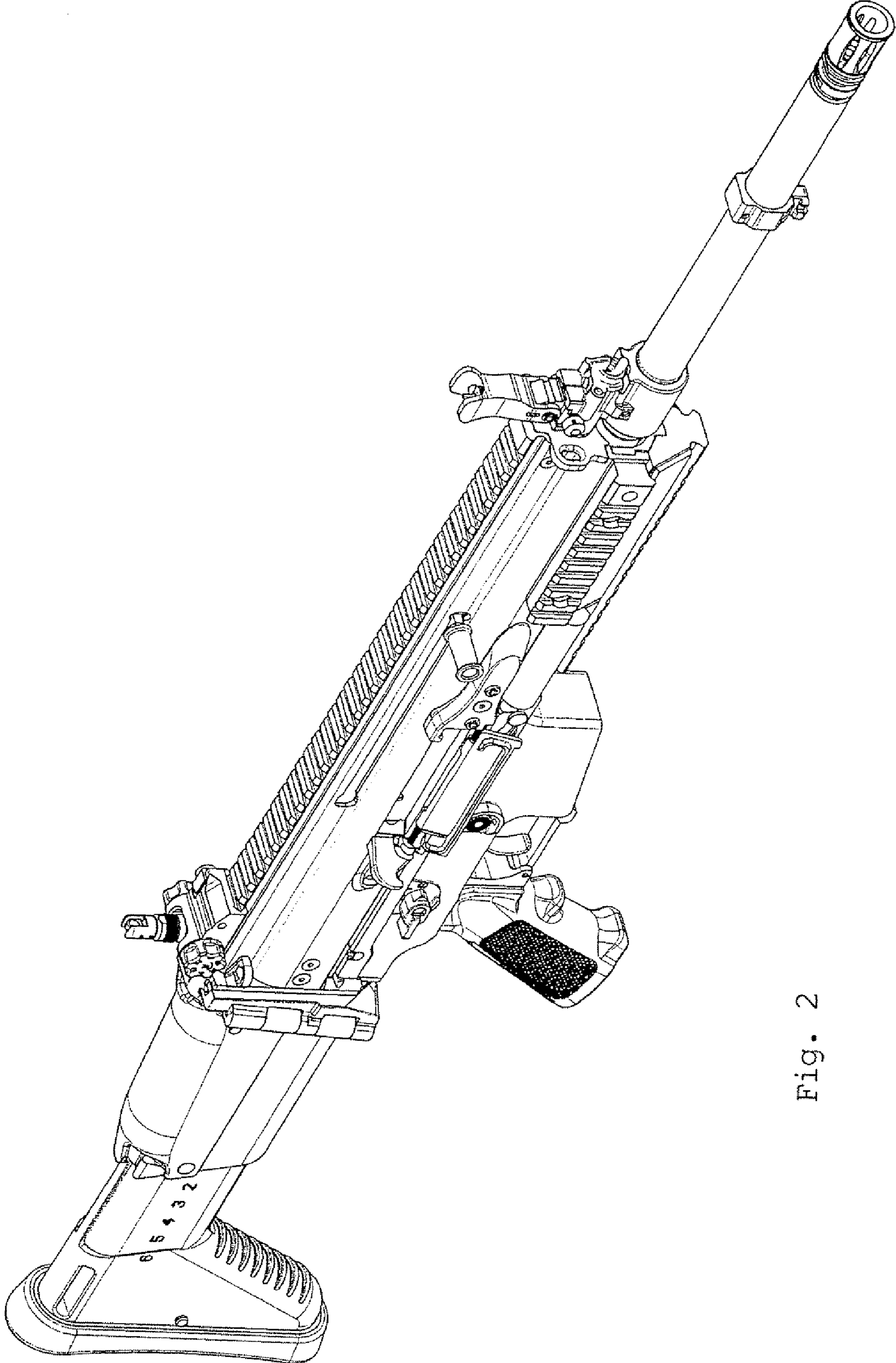


Fig. 2

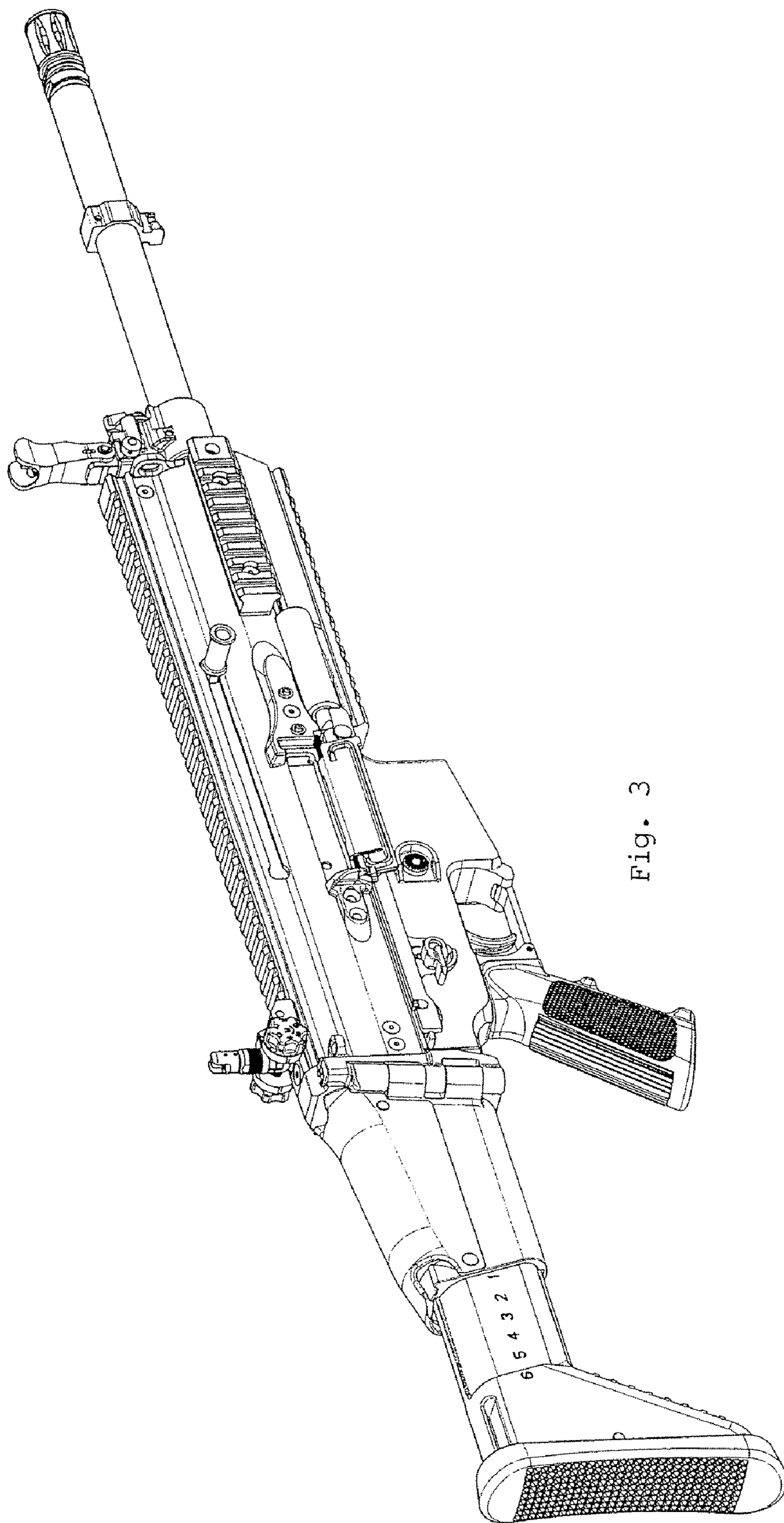


Fig. 3

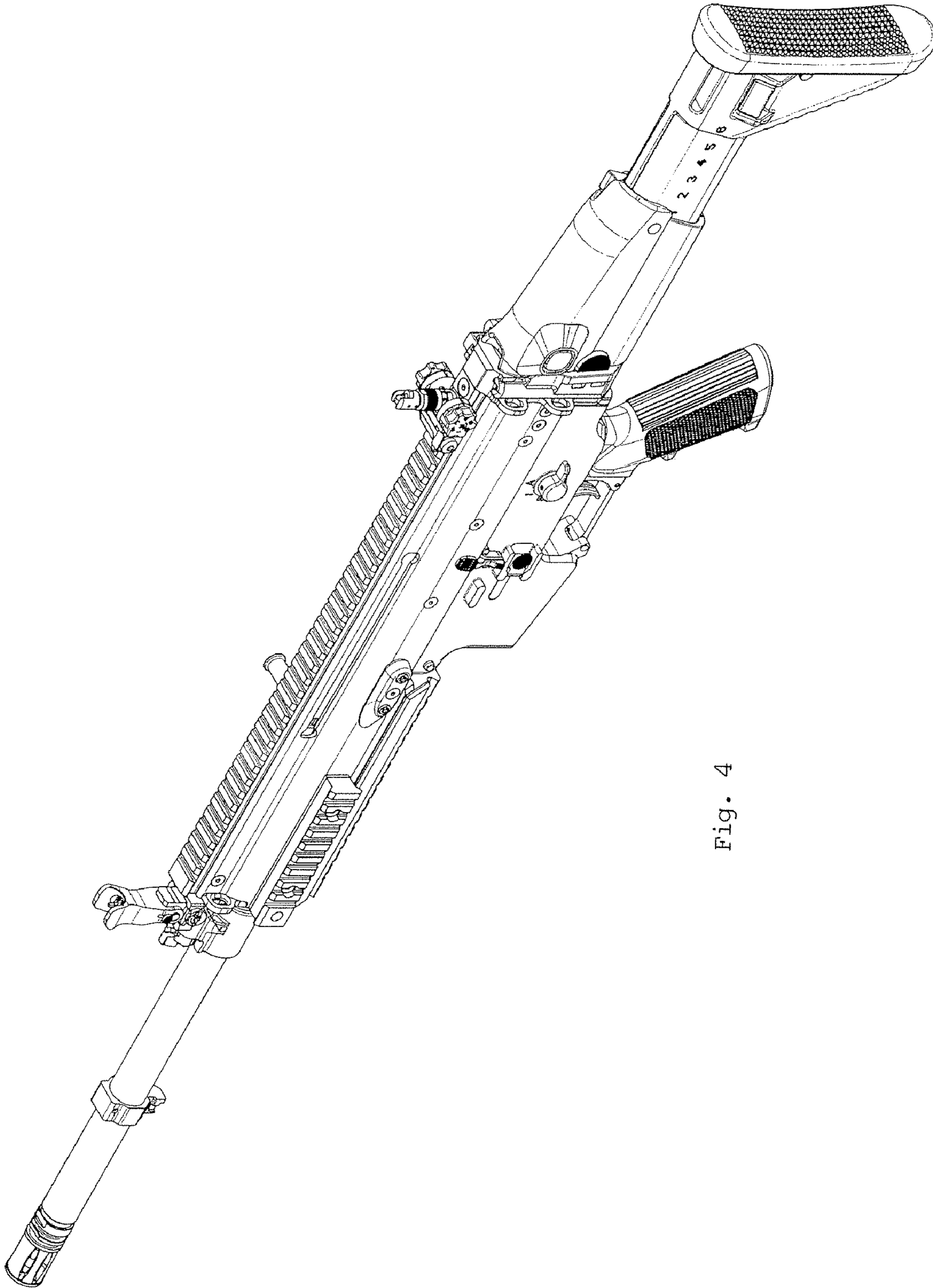


Fig. 4

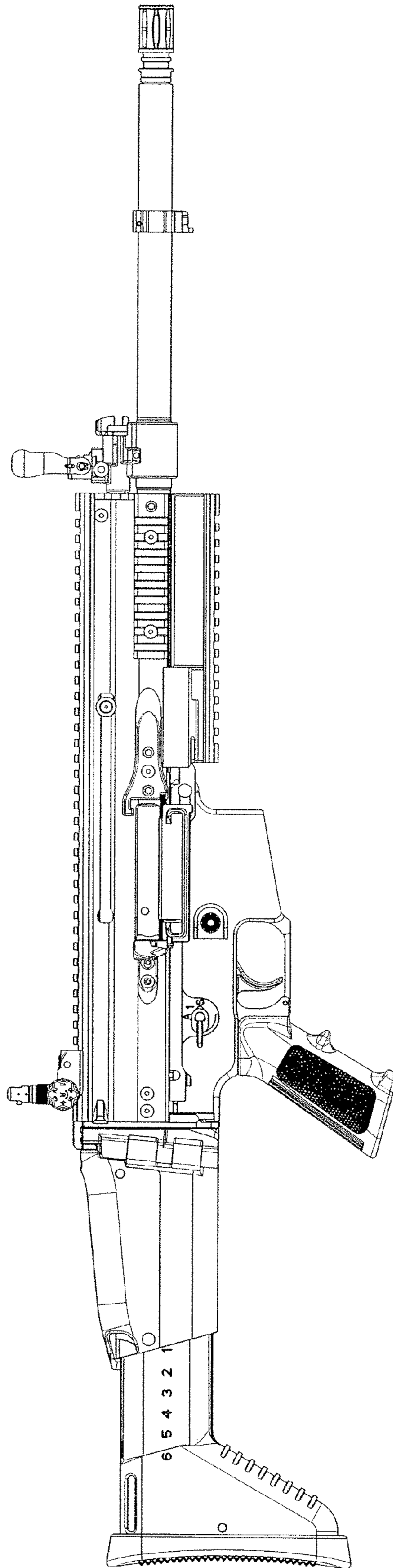


Fig. 5

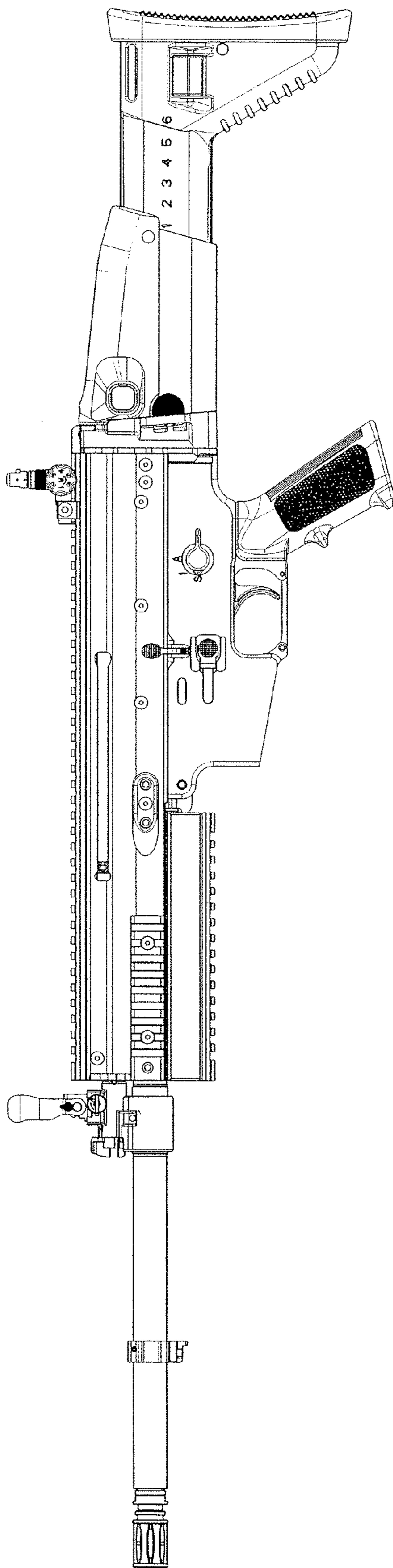


Fig. 6

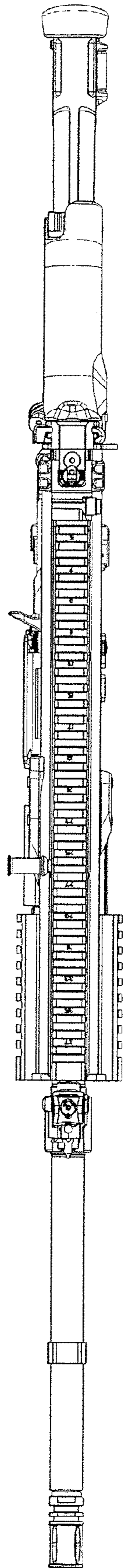


Fig. 7



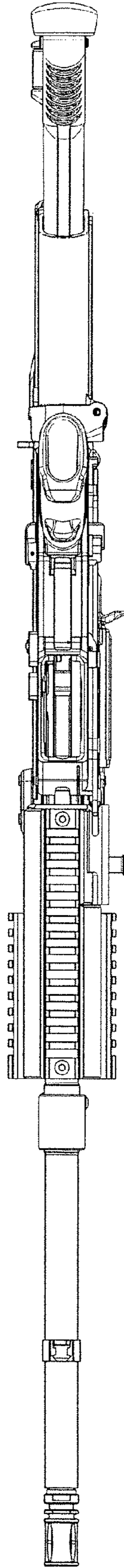


Fig. 8

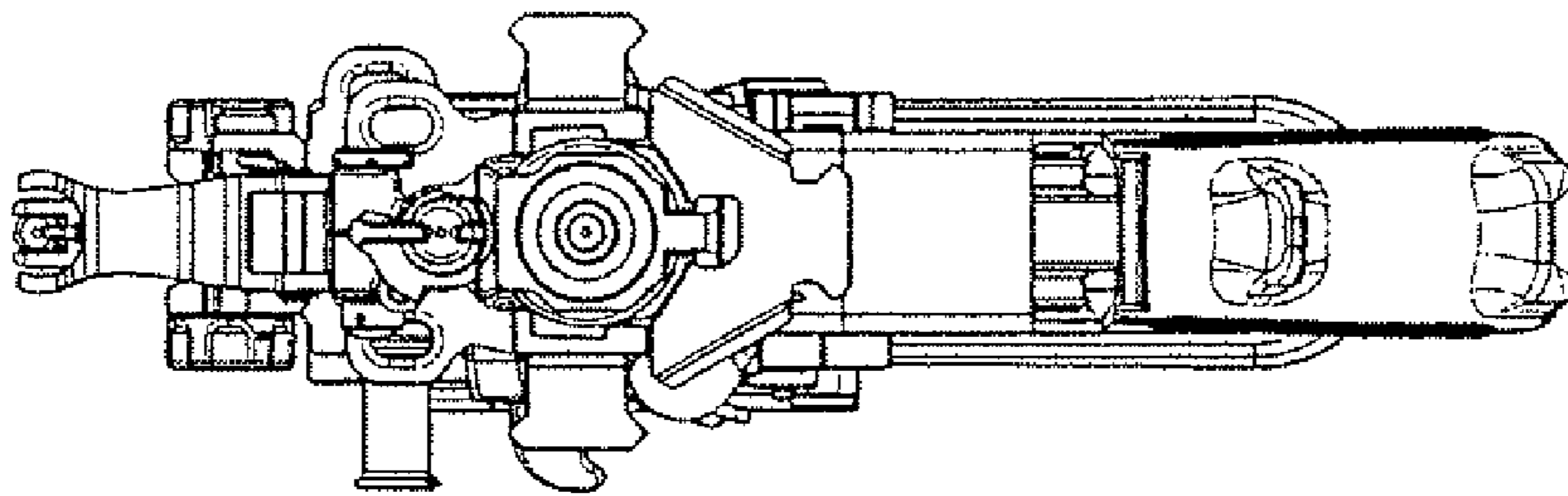


Fig. 9

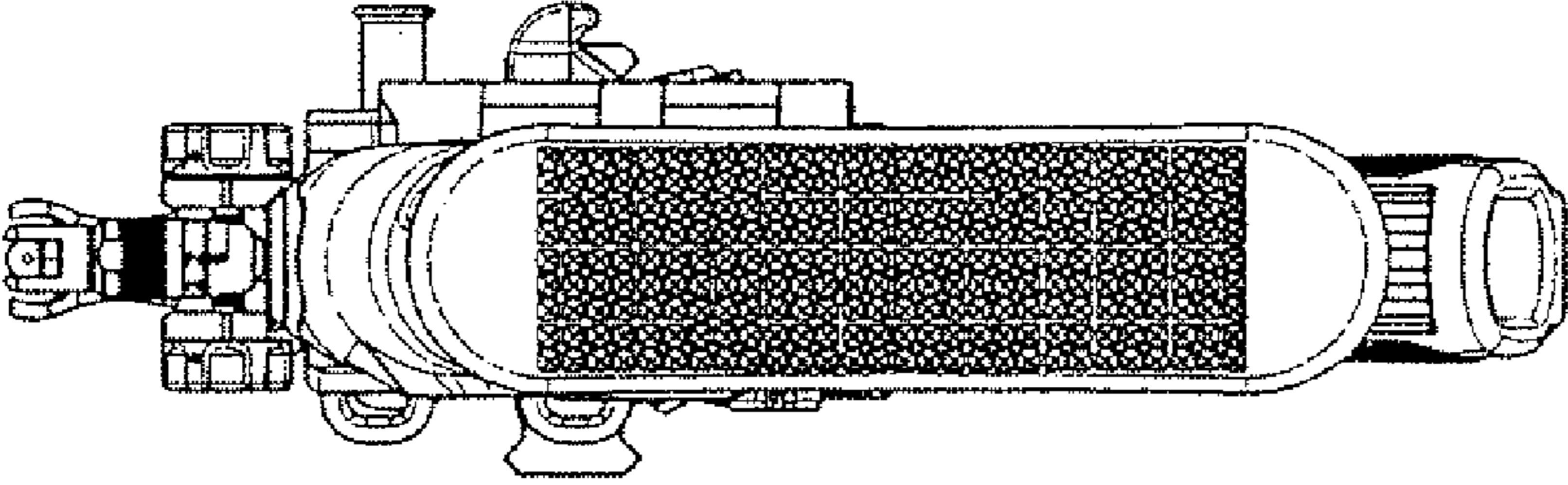


Fig. 10