



US00D641819S

(12) **United States Design Patent**
Swist

(10) **Patent No.:** **US D641,819 S**

(45) **Date of Patent:** **** Jul. 19, 2011**

(54) **GOLF CLUB SHAFT**

(76) Inventor: **Jason Swist**, Edmonton (CA)

(**) Term: **14 Years**

(21) Appl. No.: **29/369,652**

(22) Filed: **Sep. 10, 2010**

(51) **LOC (9) Cl.** **21-02**

(52) **U.S. Cl.** **D21/757**

(58) **Field of Classification Search** D21/756-757;
473/315-323

See application file for complete search history.

D556,281 S * 11/2007 Bamber D21/757
D569,940 S * 5/2008 Lemire D21/757
D579,069 S * 10/2008 Gedeon D21/757
D594,075 S * 6/2009 Bamber D21/757
D606,146 S * 12/2009 Gedeon D21/757

* cited by examiner

Primary Examiner — Mitchell Siegel

(57) **CLAIM**

The ornamental design for the golf club shaft, as shown and described.

DESCRIPTION

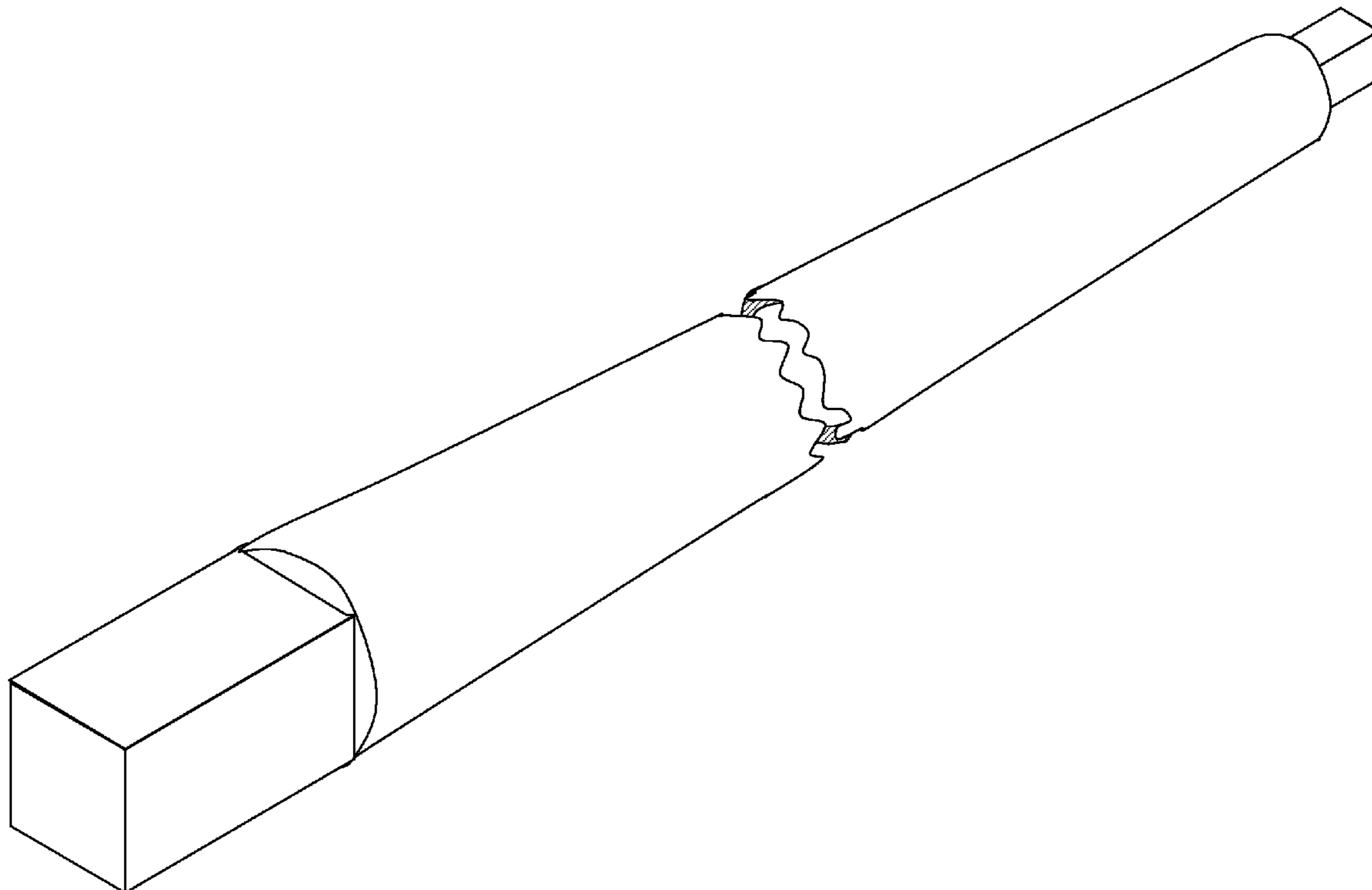
FIG. 1 is a side view of the design.
FIG. 2 is an enlarged top view of the design disclosed in FIG. 1;
FIG. 3 is an enlarged bottom view of the design disclosed in FIG. 1; and,
FIG. 4 is a perspective view of the design of FIG. 1.

1 Claim, 4 Drawing Sheets

(56) **References Cited**

U.S. PATENT DOCUMENTS

2,018,723 A * 10/1935 Hutchison 473/315
D479,293 S * 9/2003 Bergling Olson D21/757
D505,986 S * 6/2005 Bamber D21/757
D507,815 S * 7/2005 Hedrick et al. D21/757
D522,079 S * 5/2006 Healer D21/757
D540,900 S * 4/2007 Gedeon D21/757



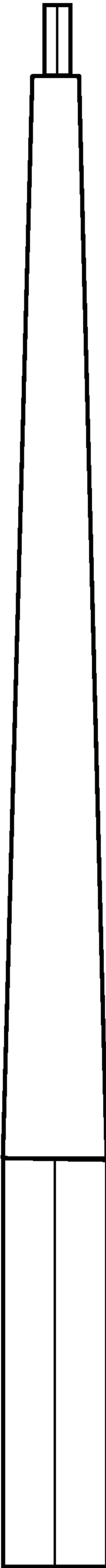


Figure 1

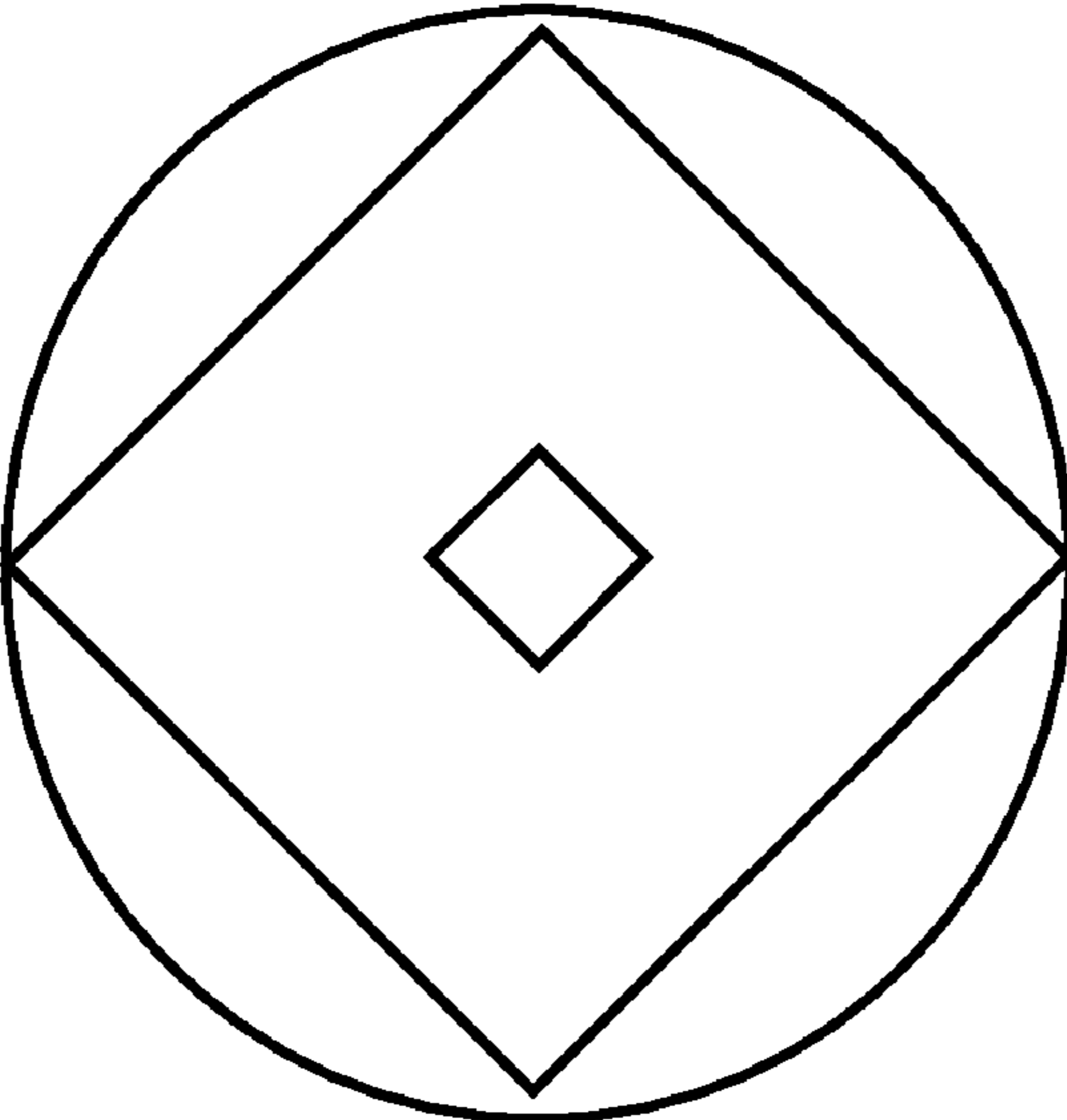


Figure 2

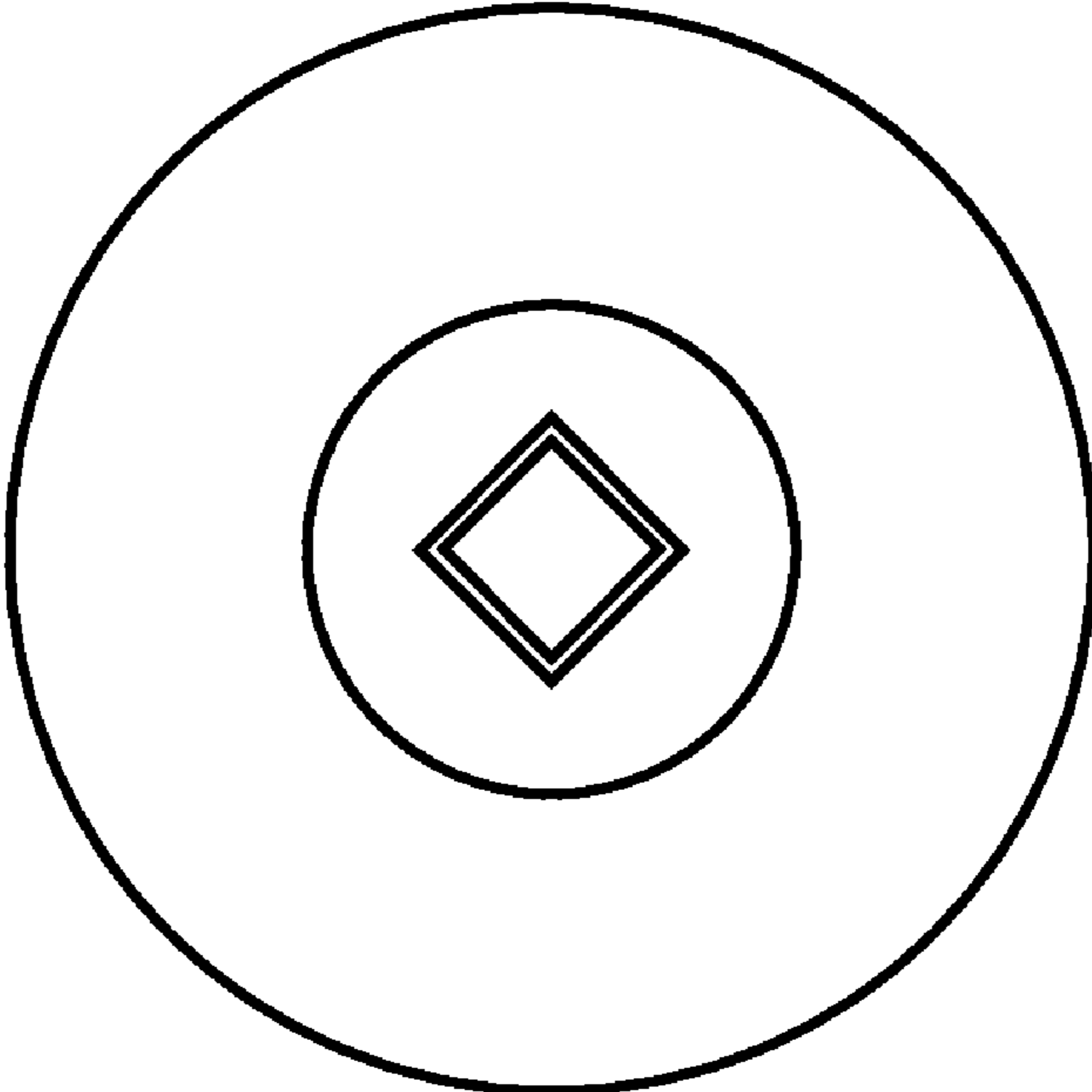


Figure 3

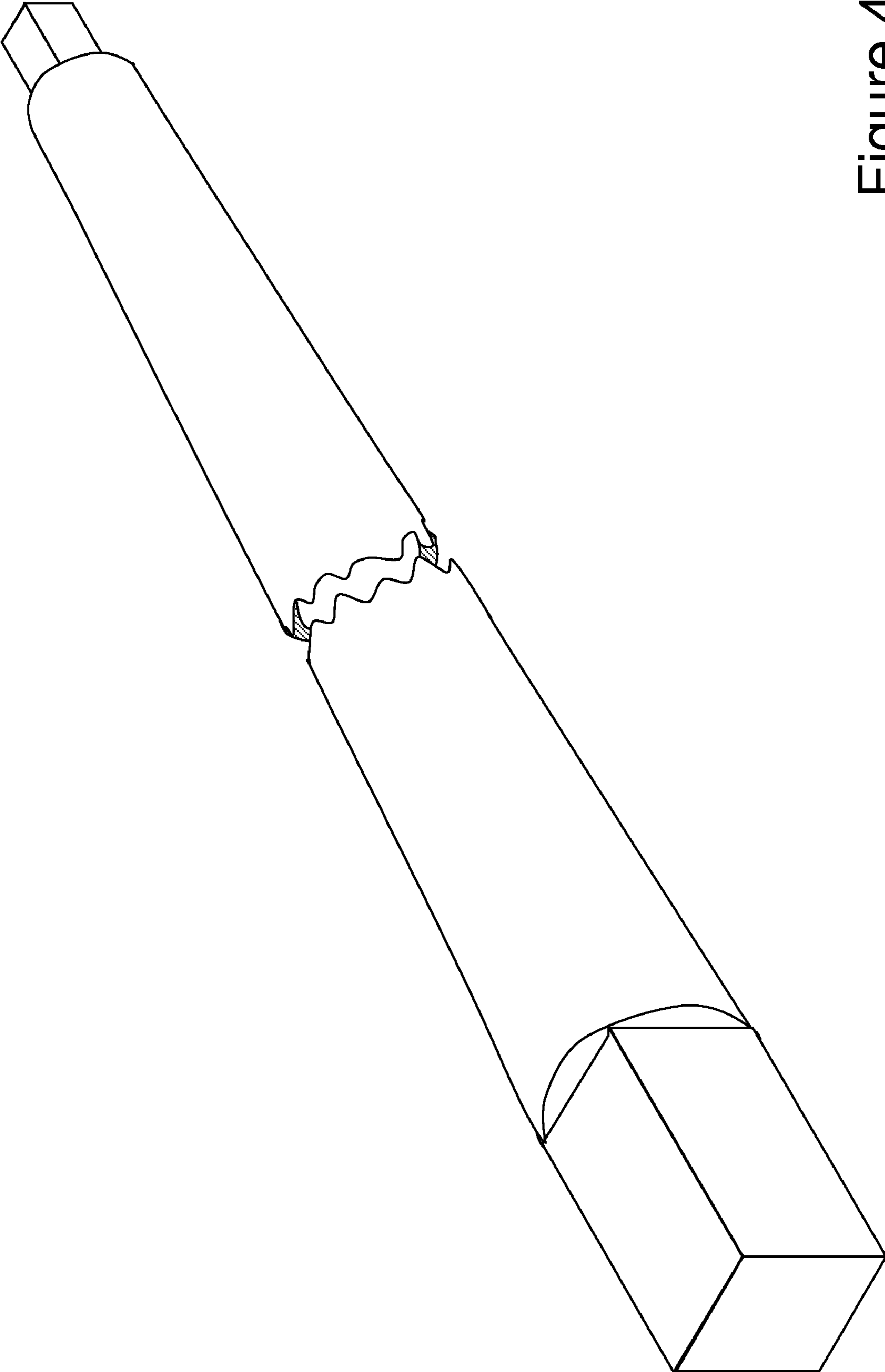


Figure 4