



US00D641816S

(12) **United States Design Patent**
Rollinson et al.

(10) **Patent No.:** **US D641,816 S**

(45) **Date of Patent:** **** *Jul. 19, 2011**

(54) **PUTTER HEAD**

(75) Inventors: **Augustin W. Rollinson**, Carlsbad, CA
(US); **Larry G. Tang**, Carlsbad, CA
(US)

(73) Assignee: **Callaway Golf Company**, Carlsbad, CA
(US)

(*) Notice: This patent is subject to a terminal disclaimer.

(**) Term: **14 Years**

(21) Appl. No.: **29/377,067**

(22) Filed: **Oct. 15, 2010**

(51) **LOC (9) Cl.** **21-02**

(52) **U.S. Cl.** **D21/744**

(58) **Field of Classification Search** D21/736-746;
473/324-331, 340-341, 251-256

See application file for complete search history.

(56) **References Cited**

U.S. PATENT DOCUMENTS

D458,656 S * 6/2002 Tang et al. D21/738
D475,106 S * 5/2003 Tang et al. D21/759

D479,291 S * 9/2003 Murray D21/742
D485,323 S * 1/2004 Wagner et al. D21/744
D557,361 S * 12/2007 Rollinson D21/743
D572,780 S * 7/2008 Rollinson D21/744
D575,366 S * 8/2008 Rollinson D21/744
D592,717 S * 5/2009 Rollinson D21/742
D595,793 S * 7/2009 Rollinson D21/736
D619,665 S * 7/2010 Rollinson et al. D21/742

* cited by examiner

Primary Examiner — Mitchell Siegel

(74) *Attorney, Agent, or Firm* — Michael A. Catania;
Rebecca Hanovice; Sonia Lari

(57) **CLAIM**

The ornamental design for a putter head, as shown and described.

DESCRIPTION

FIG. 1 is a top perspective view of a putter head as claimed herein;

FIG. 2 is a front elevational view thereof;

FIG. 3 is a top plan view thereof;

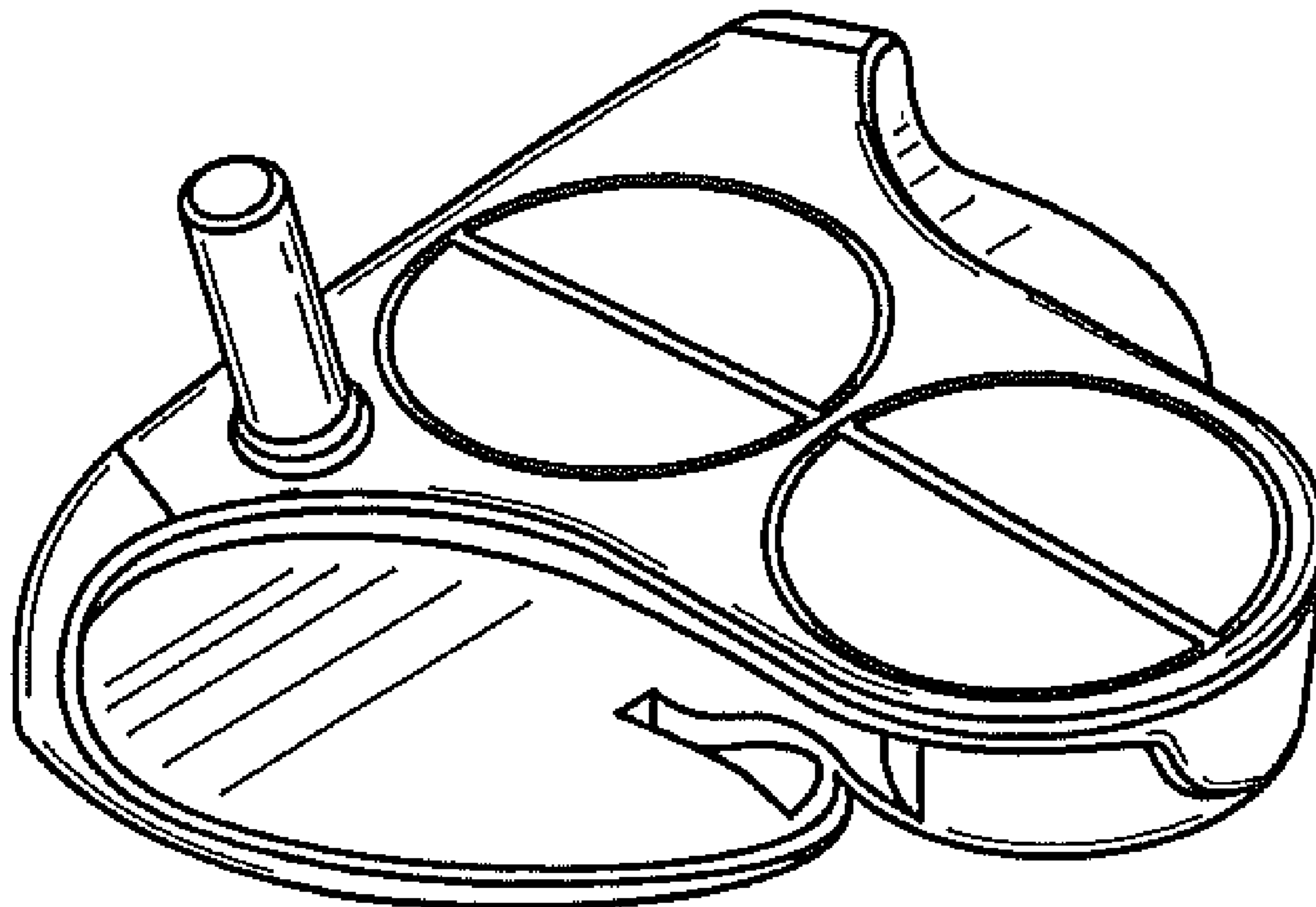
FIG. 4 is a rear elevational view thereof;

FIG. 5 is a bottom plan view thereof;

FIG. 6 is a toe elevational view thereof; and,

FIG. 7 is a heel elevational view thereof.

1 Claim, 2 Drawing Sheets



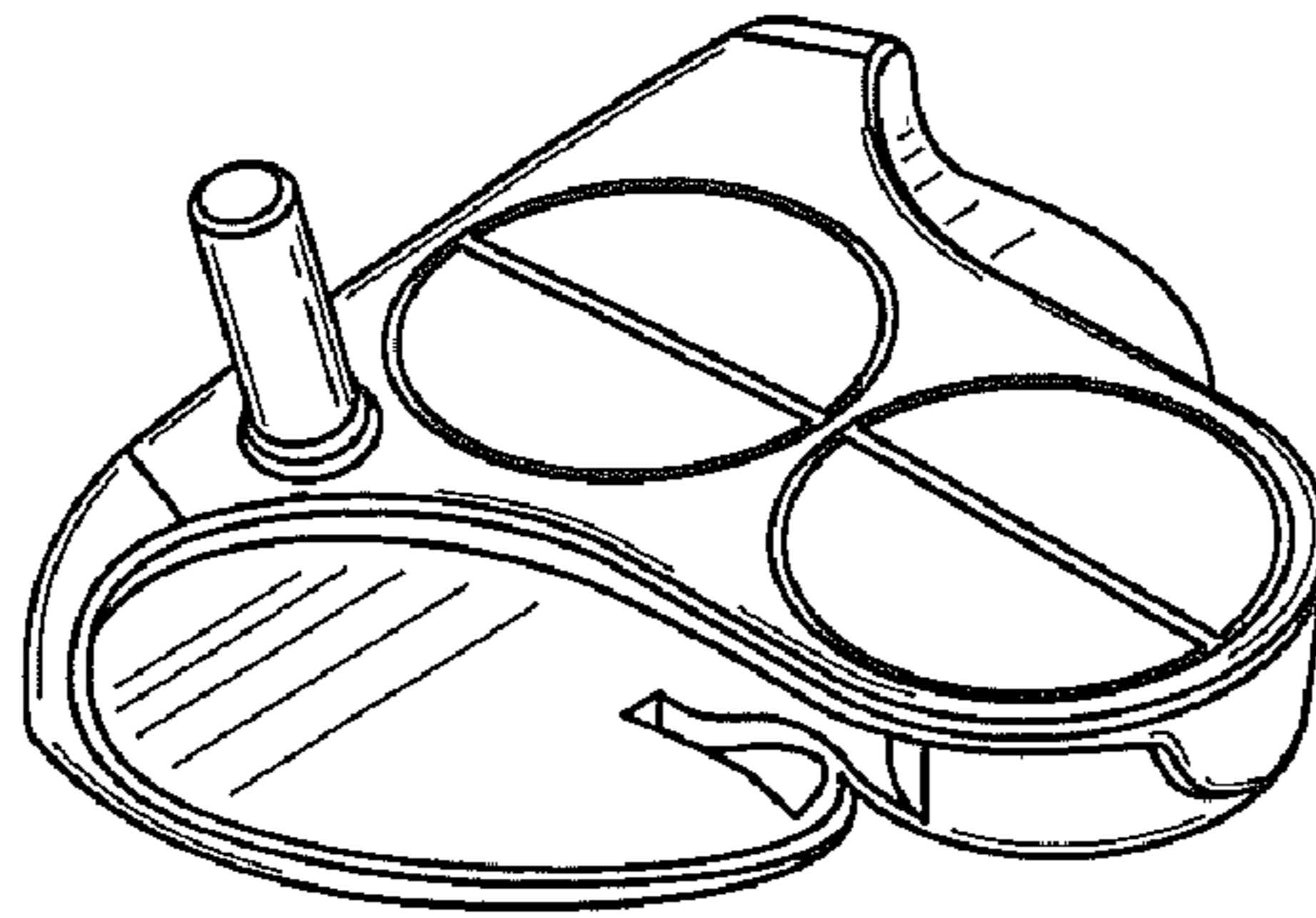


FIG. 1

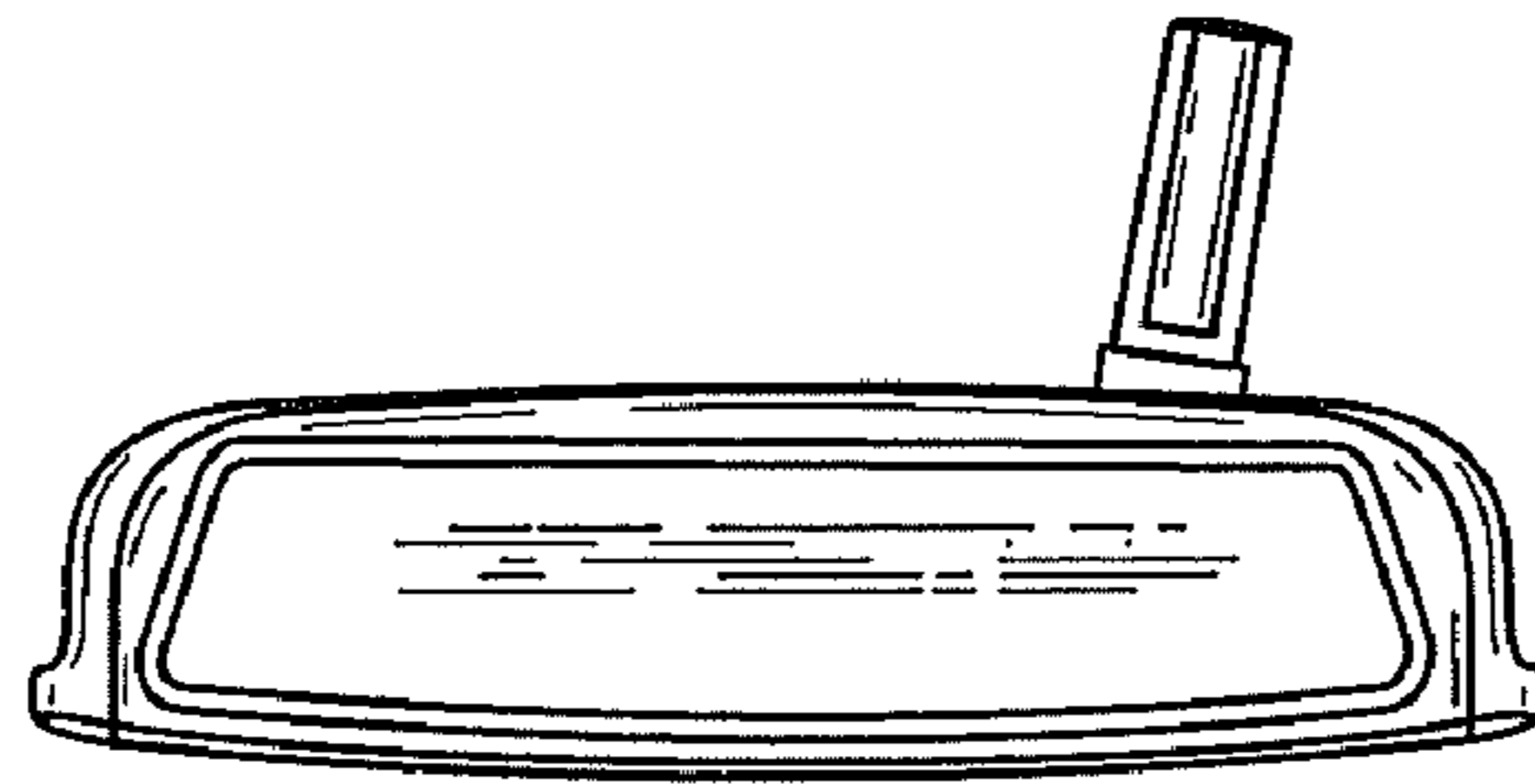


FIG. 2

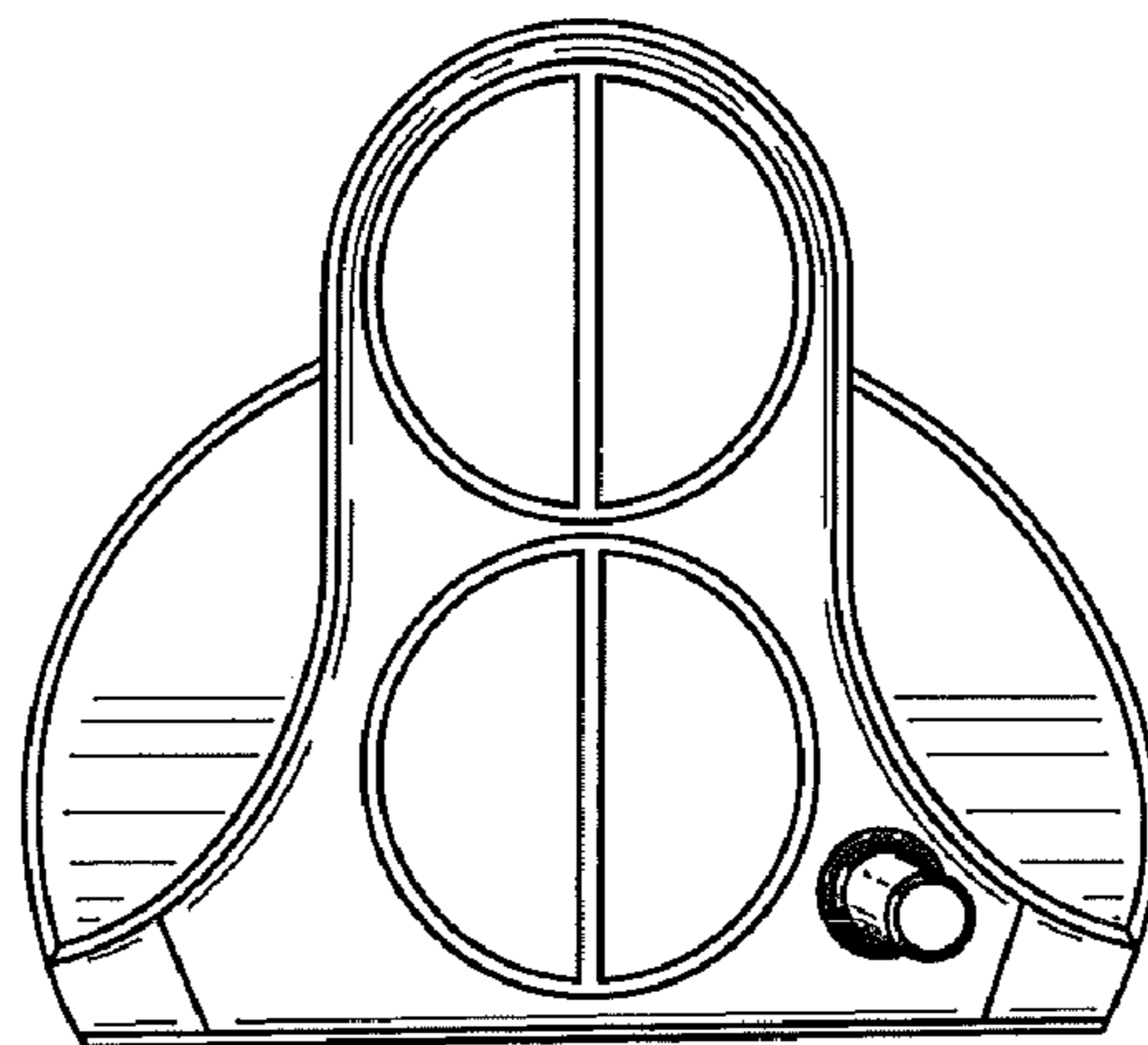


FIG. 3

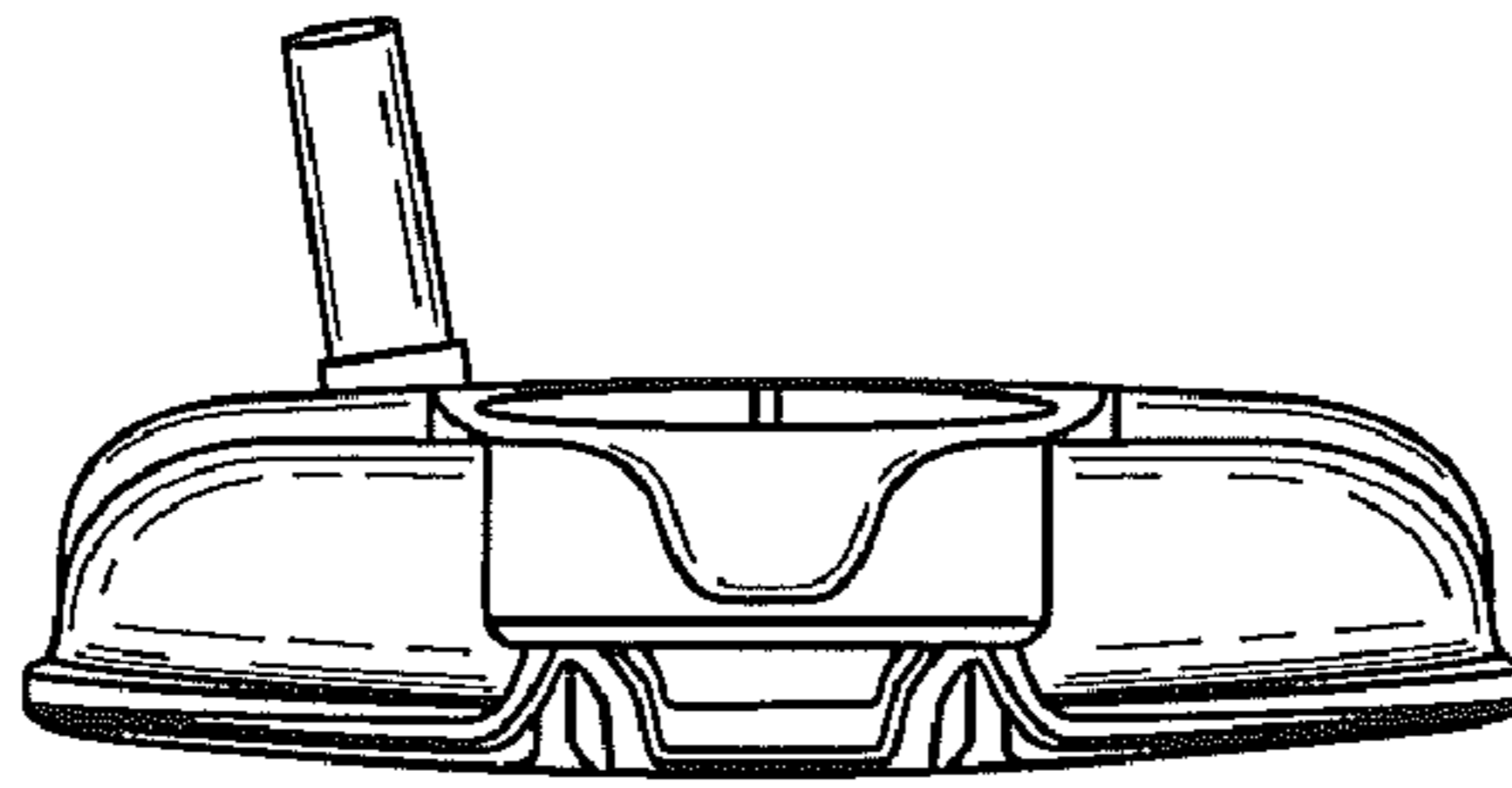


FIG. 4

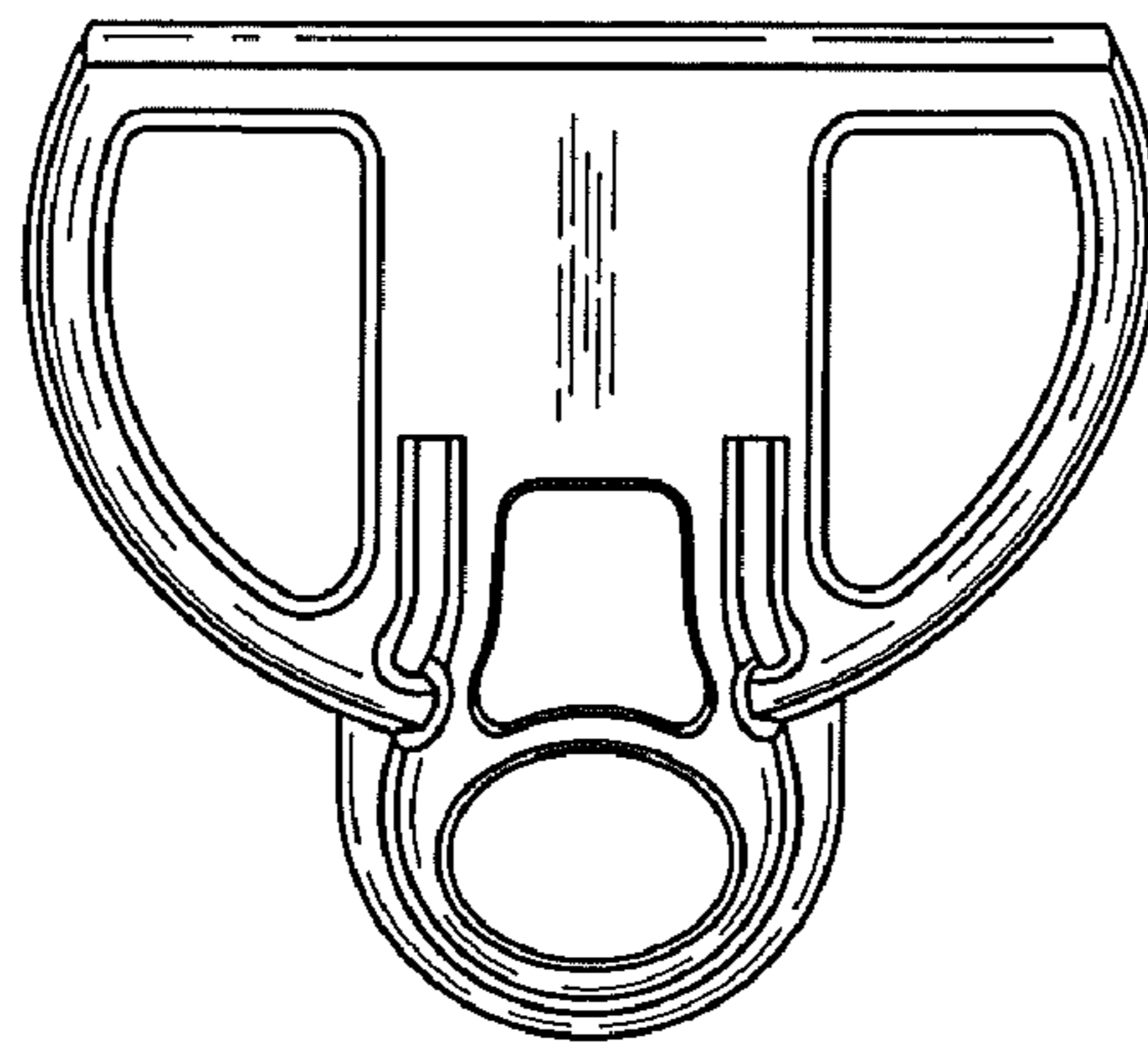


FIG. 5

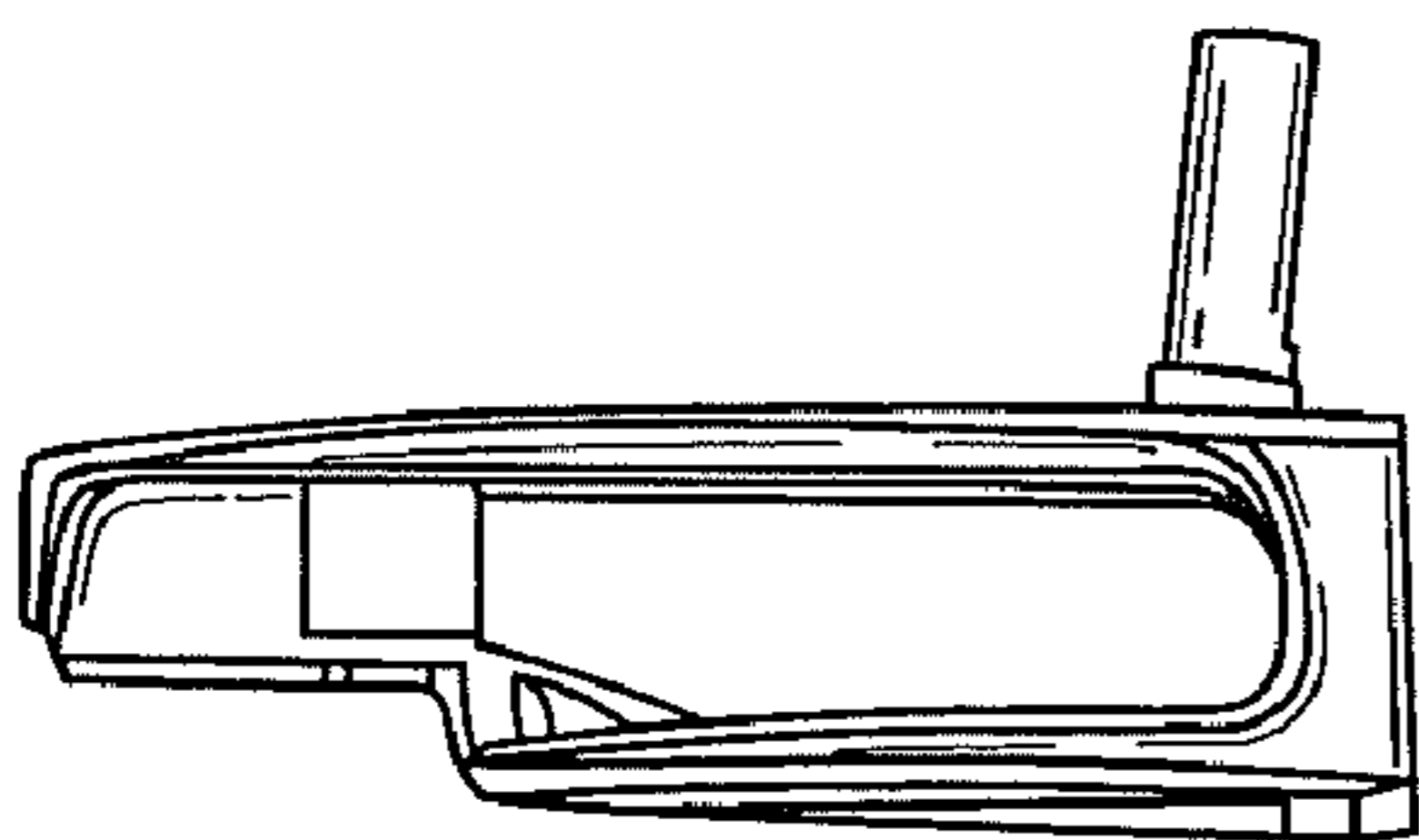


FIG. 6

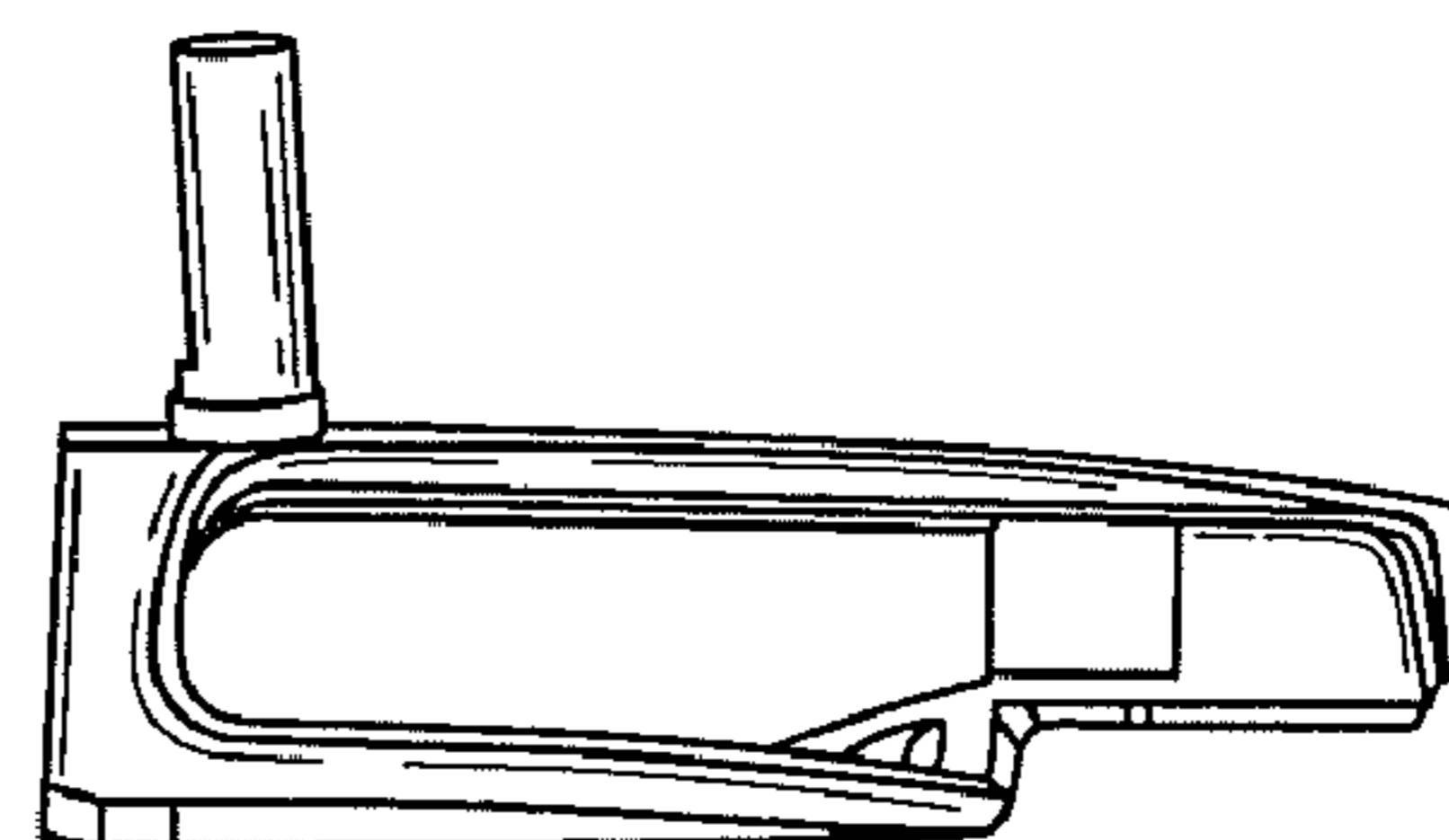


FIG. 7