



US00D641815S

(12) **United States Design Patent**  
**Rollinson et al.**

(10) **Patent No.:** **US D641,815 S**

(45) **Date of Patent:** **\*\* Jul. 19, 2011**

(54) **PUTTER HEAD**

(75) Inventors: **Augustin W. Rollinson**, Carlsbad, CA  
(US); **Larry G. Tang**, Carlsbad, CA  
(US)

(73) Assignee: **Callaway Golf Company**, Carlsbad, CA  
(US)

(\*\*) Term: **14 Years**

(21) Appl. No.: **29/377,065**

(22) Filed: **Oct. 15, 2010**

(51) **LOC (9) Cl.** ..... **21-02**

(52) **U.S. Cl.** ..... **D21/744**

(58) **Field of Classification Search** ..... D21/736-746;  
473/324-331, 340-341, 251-256

See application file for complete search history.

(56) **References Cited**

**U.S. PATENT DOCUMENTS**

D317,034 S *	5/1991	Pelz	.....	D21/735
D317,962 S *	7/1991	Pelz	.....	D21/735
D472,594 S *	4/2003	Tang et al.	.....	D21/735
D472,595 S *	4/2003	Tang et al.	.....	D21/735

D483,824 S *	12/2003	Tang et al.	.....	D21/738
D548,296 S *	8/2007	Rollinson	.....	D21/744
D559,930 S *	1/2008	Cameron	.....	D21/746
D585,511 S *	1/2009	Cameron	.....	D21/743
2002/0123393 A1 *	9/2002	Tang et al.	.....	473/340

\* cited by examiner

*Primary Examiner* — Mitchell Siegel

(74) *Attorney, Agent, or Firm* — Michael A. Catania;  
Rebecca Hanovice; Sonia Lari

(57) **CLAIM**

The ornamental design for a putter head, as shown and described.

**DESCRIPTION**

FIG. 1 is a top perspective view of a putter head as claimed herein;

FIG. 2 is a front elevational view thereof;

FIG. 3 is a top plan view thereof;

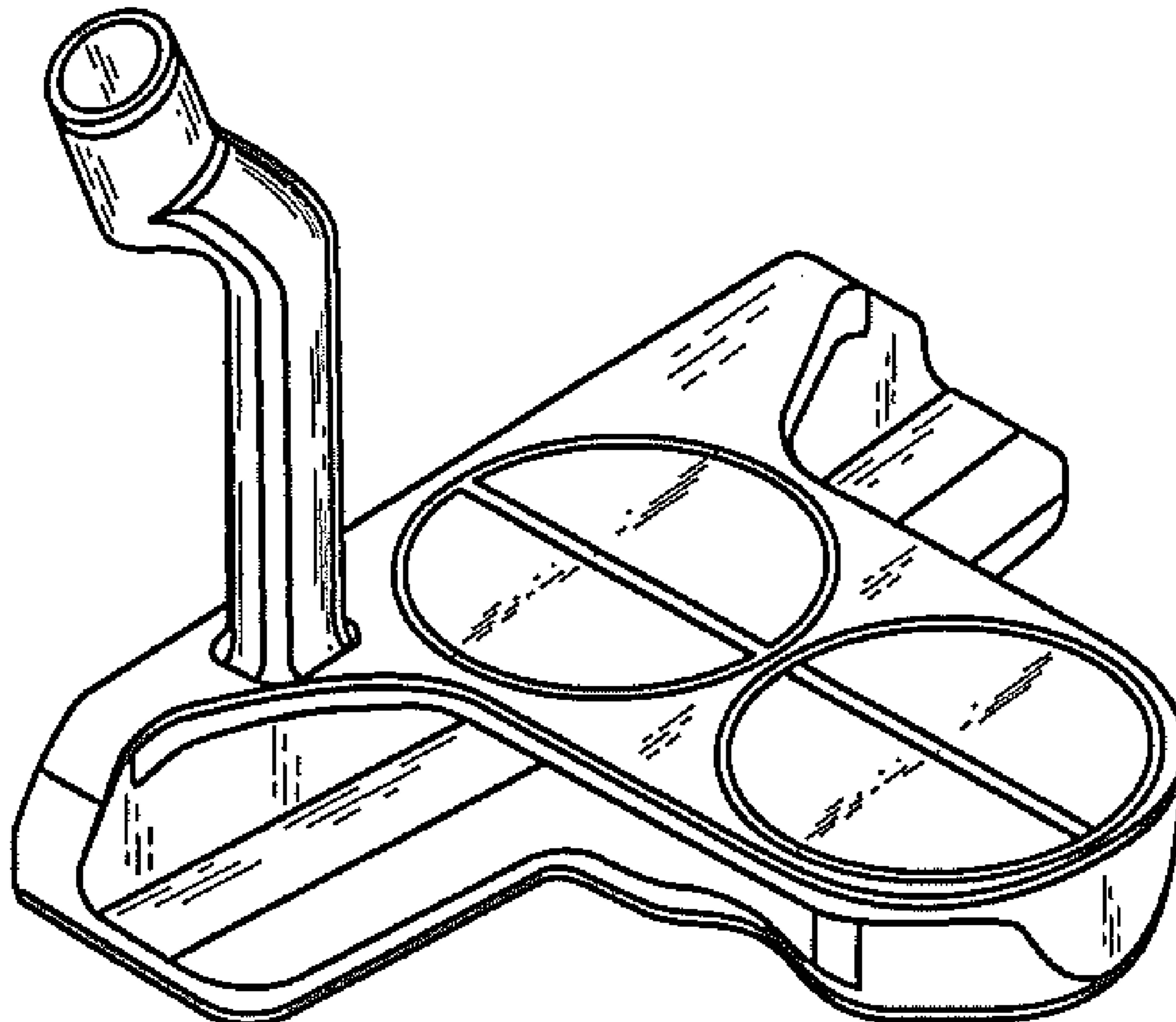
FIG. 4 is a rear elevational view thereof;

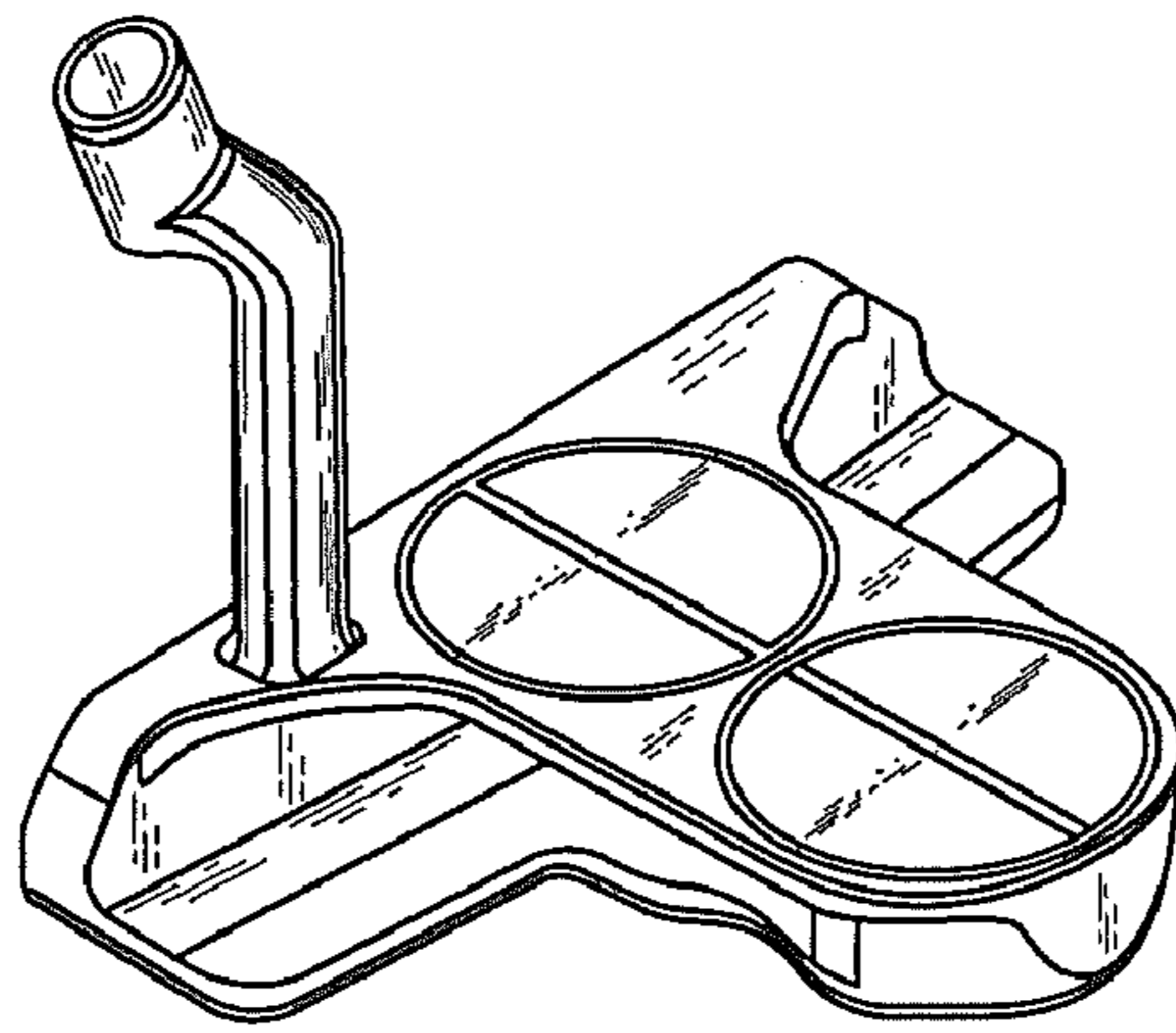
FIG. 5 is a bottom plan view thereof;

FIG. 6 is a toe elevational view thereof; and,

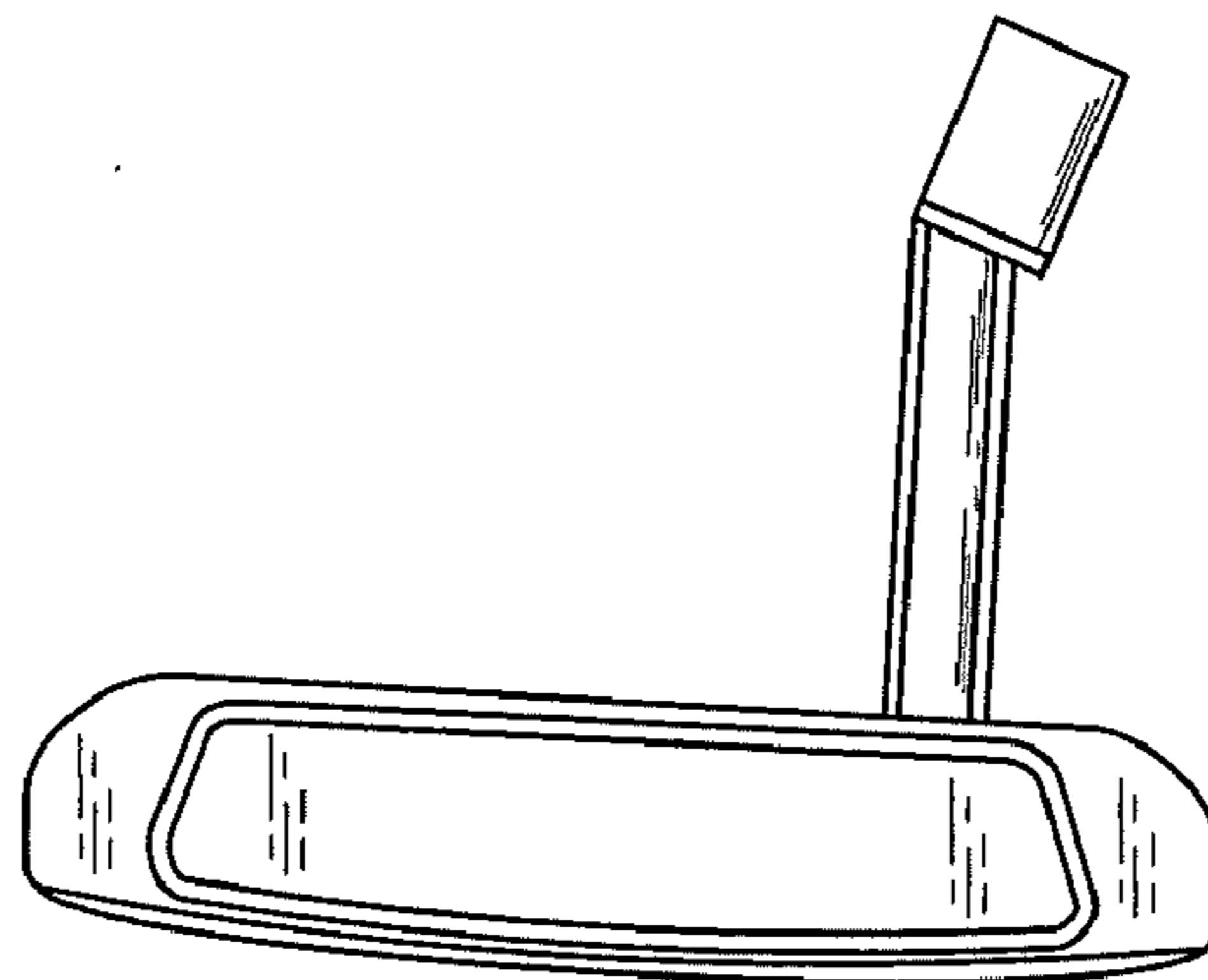
FIG. 7 is a heel elevational view thereof.

**1 Claim, 2 Drawing Sheets**

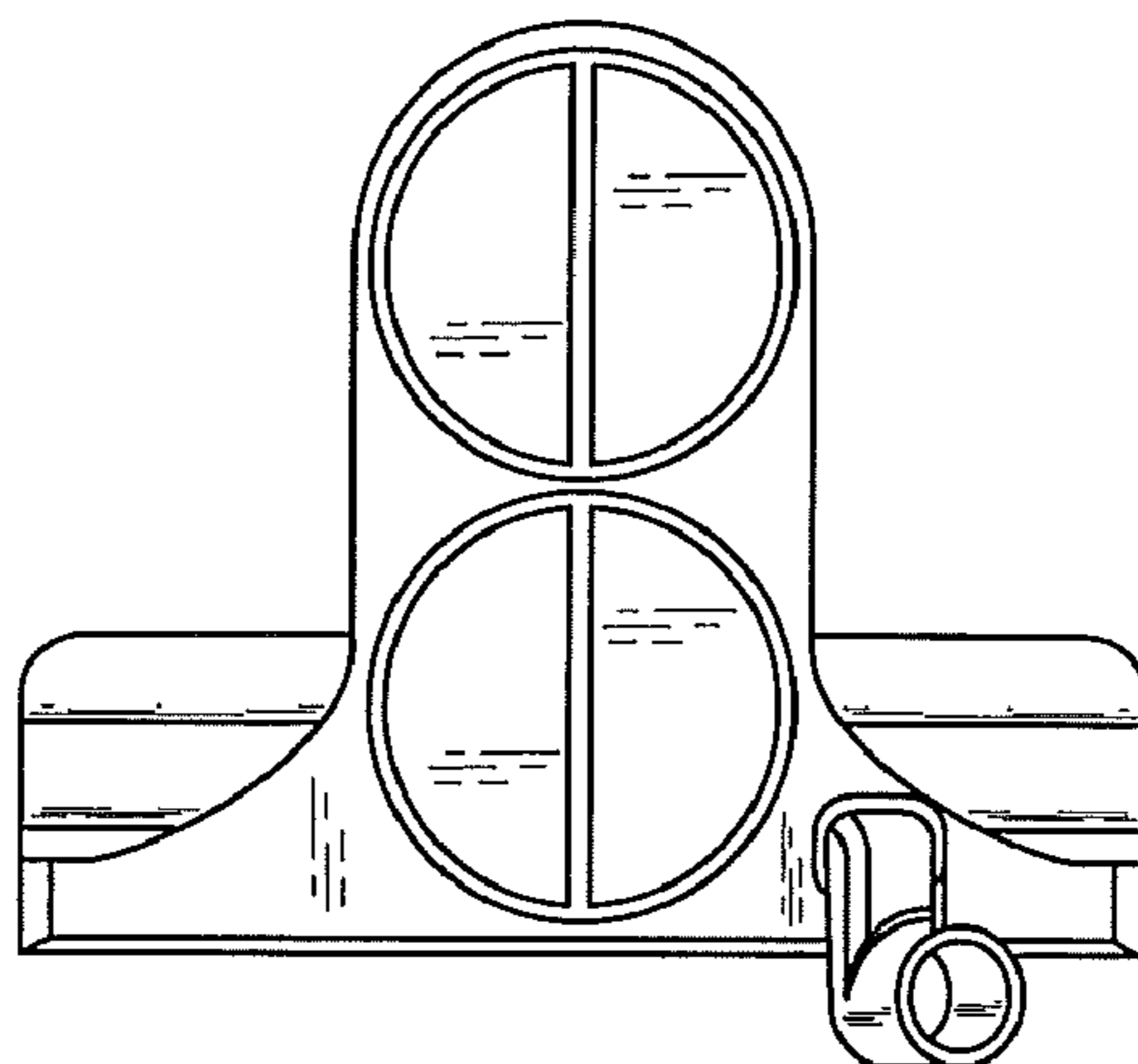




**FIG. 1**



**FIG. 2**



**FIG. 3**

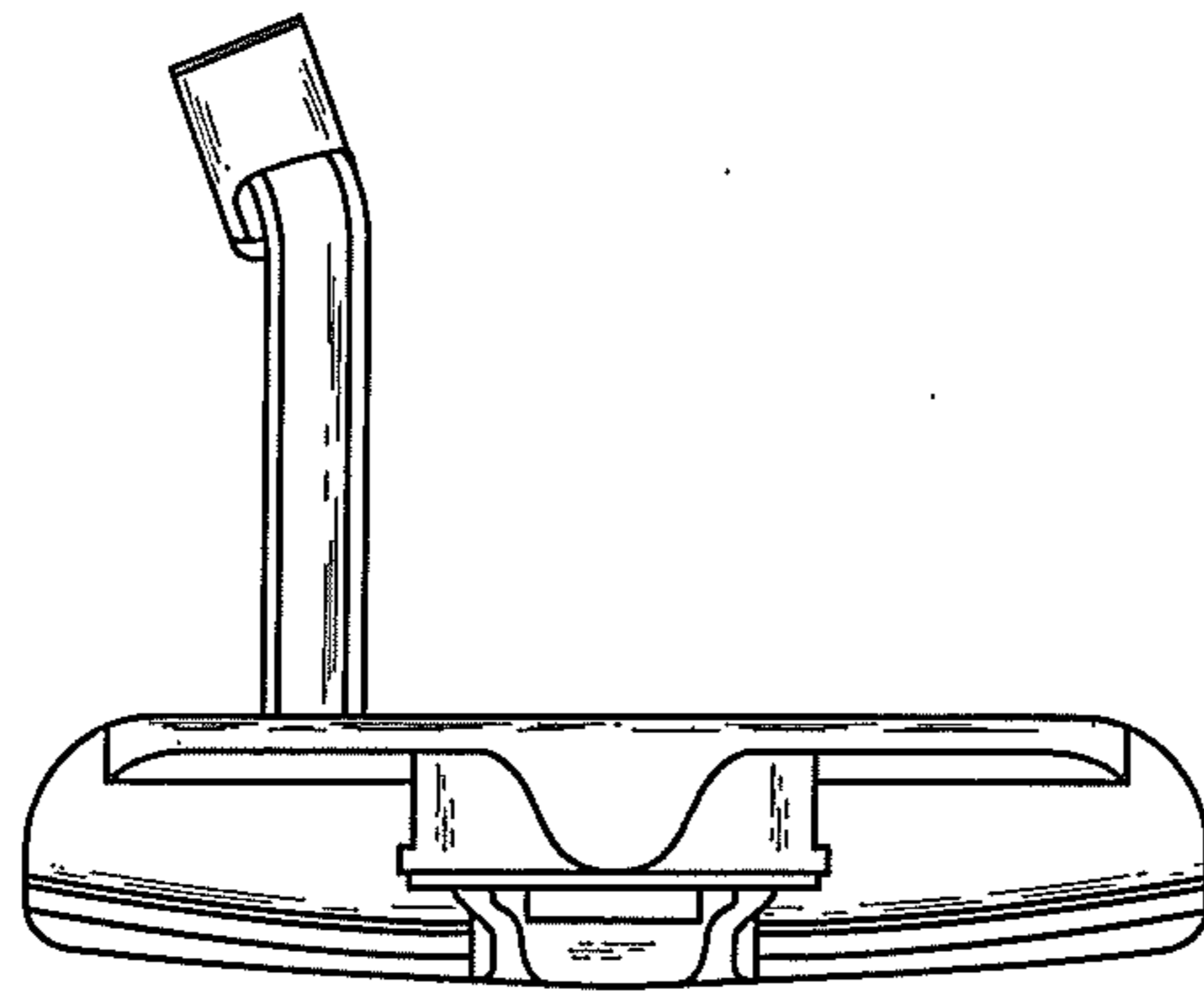


FIG. 4

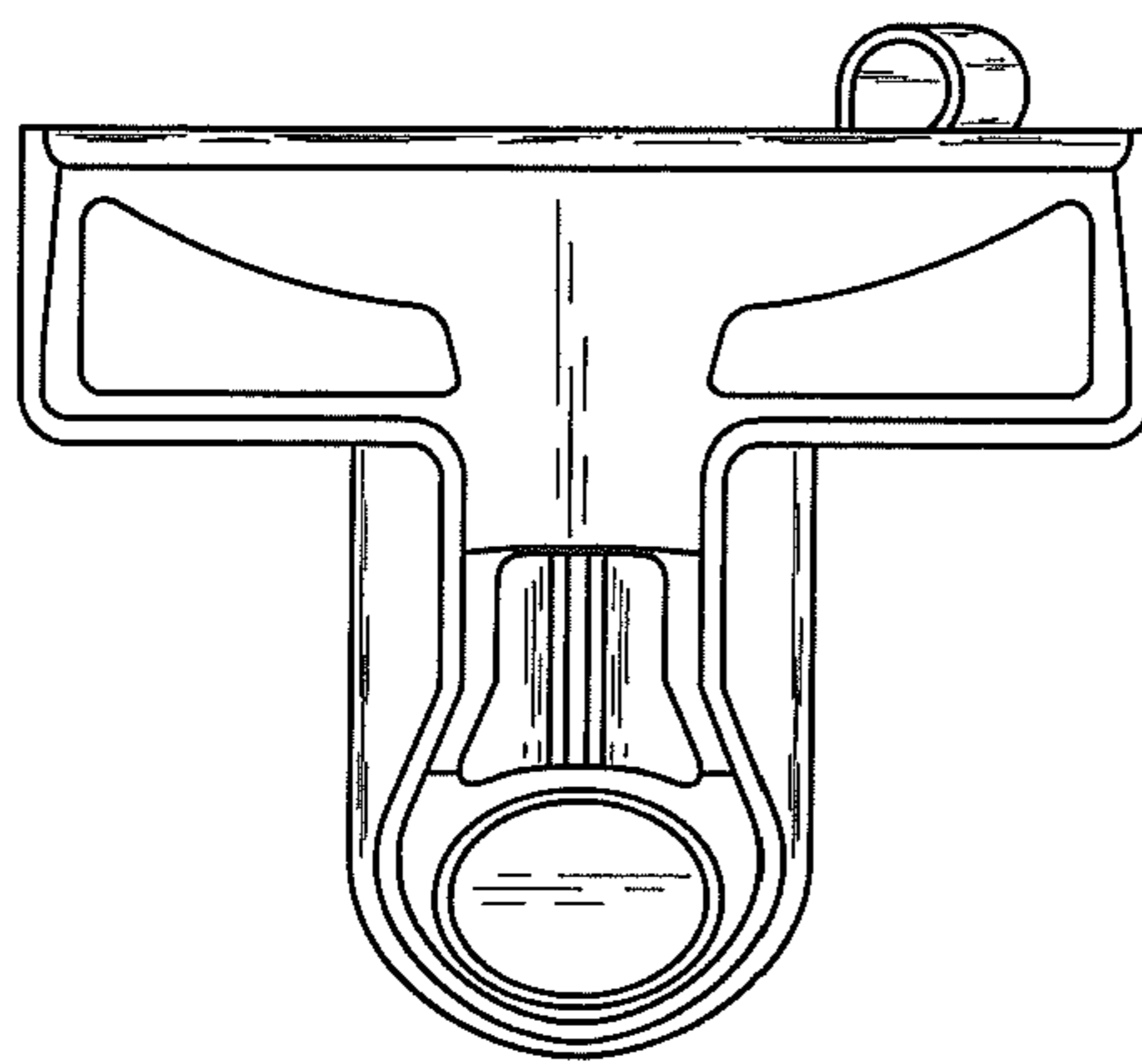


FIG. 5

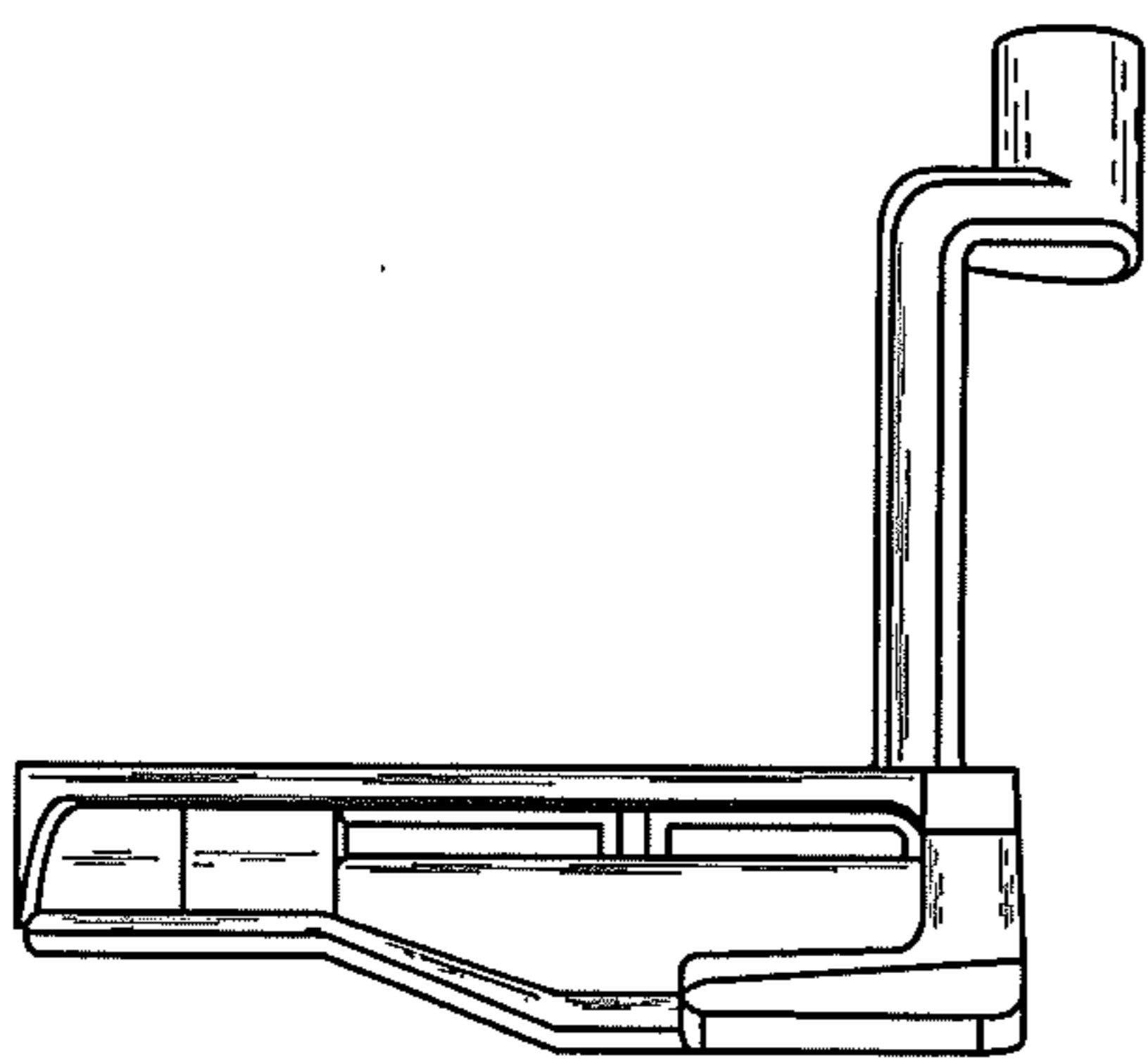


FIG. 6

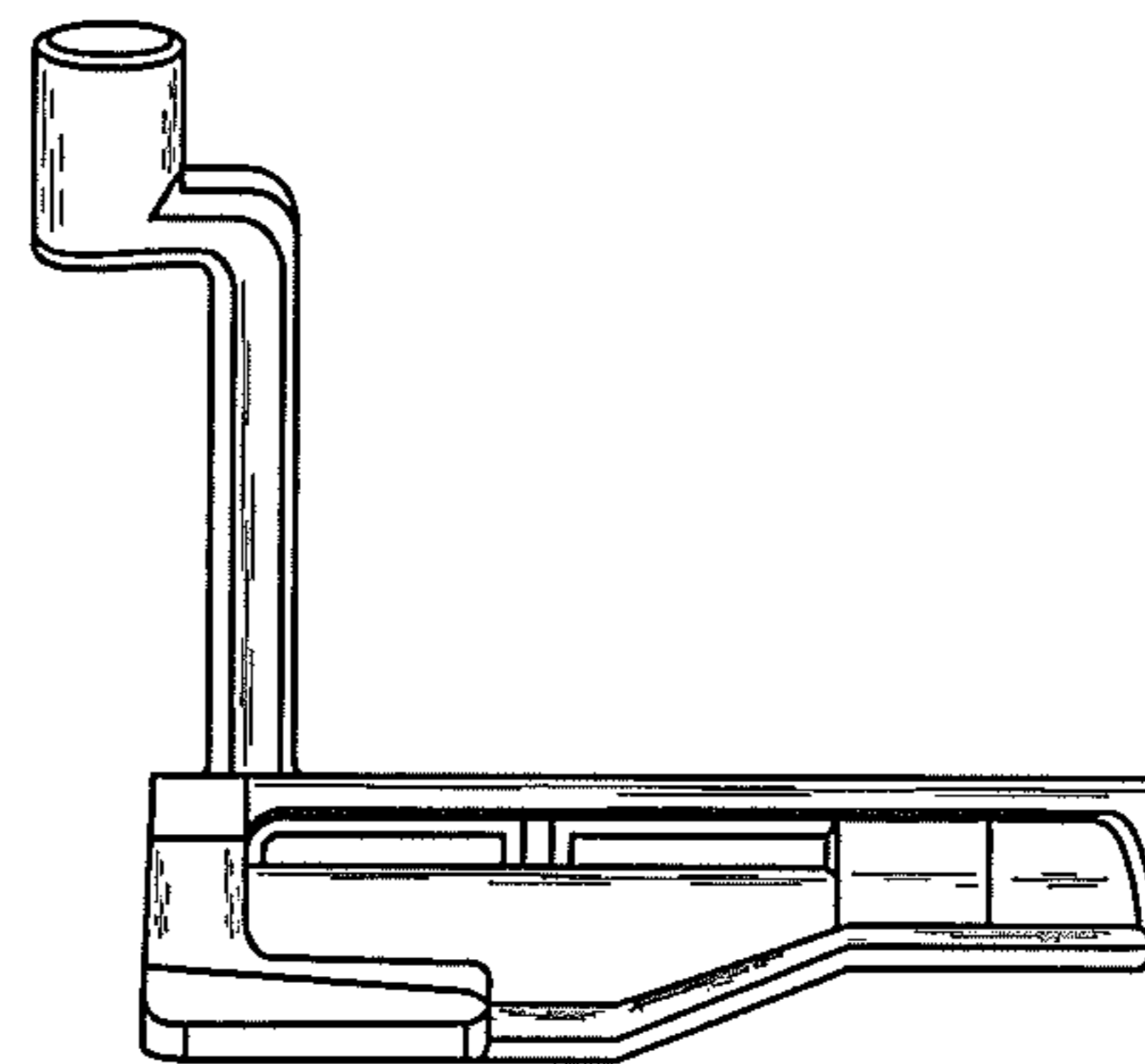


FIG. 7