



US00D641812S

(12) **United States Design Patent**
Brenner et al.

(10) **Patent No.:** **US D641,812 S**

(45) **Date of Patent:** **** Jul. 19, 2011**

(54) **TORSO PUNCHING TARGET**

(76) Inventors: **Patricia Brenner**, Encino, CA (US);
Greg Snyder, San Rafael, CA (US)

(**) Term: **14 Years**

(21) Appl. No.: **29/343,892**

(22) Filed: **Sep. 21, 2009**

(51) **LOC (9) Cl.** **21-02**

(52) **U.S. Cl.** **D21/694; D21/787; D21/798**

(58) **Field of Classification Search** D21/662,
D21/676, 687, 690-691, 694, 686, 673, 675,
D21/787, 798; 482/83, 86-87, 89, 90, 138,
482/140, 142, 144-145, 220

See application file for complete search history.

(56) **References Cited**

U.S. PATENT DOCUMENTS

4,093,212	A *	6/1978	Jacques	482/83
4,309,029	A *	1/1982	Tomko	482/83
D265,333	S *	7/1982	Lee	D21/798
4,434,980	A	3/1984	Babineaux et al.		
D291,339	S *	8/1987	Charles	D21/787
D356,127	S *	3/1995	Mara	D21/798
5,984,842	A	11/1999	Chu		
6,110,079	A	8/2000	Luedke et al.		
D437,908	S	2/2001	Hsiung		
6,220,992	B1 *	4/2001	Shafik	482/83
6,241,640	B1 *	6/2001	Chu	482/83
D518,135	S *	3/2006	Paxy	D21/787
7,329,210	B1 *	2/2008	Marano	482/83
2002/0160889	A1 *	10/2002	Lederman	482/83
2007/0117689	A1 *	5/2007	MacKay et al.	482/86
2007/0167297	A1 *	7/2007	Stevenson	482/83

2008/0032872 A1 * 2/2008 Nappier 482/83
2009/0264262 A1 * 10/2009 Brenner et al. 482/83
2009/0264264 A1 * 10/2009 Reen 482/86

* cited by examiner

Primary Examiner — Susan E Krakower

(74) *Attorney, Agent, or Firm* — Julio M. Loza; Loza & Loza, LLP

(57) **CLAIM**

The ornamental design for a torso punching target, as shown and described.

DESCRIPTION

FIG. 1 is a perspective view of a torso punching target of the present invention;

FIG. 2 is a perspective view of a torso punching target of the present invention;

FIG. 3 is a front view of a torso punching target of the present invention;

FIG. 4 is a right side view of a torso punching target of the present invention, the left side view being a minor image of FIG. 4;

FIG. 5 is a top plan view of a torso punching target of the present invention; and,

FIG. 6 is a bottom plan view of a torso punching target of the present invention.

The broken lines in FIG. 1 show an environment of the claimed design and are for illustrative purposes only forming no part of the claimed design.

It is understood that the solid lines within the claimed design indicate seam lines which form part of the claimed design.

1 Claim, 3 Drawing Sheets

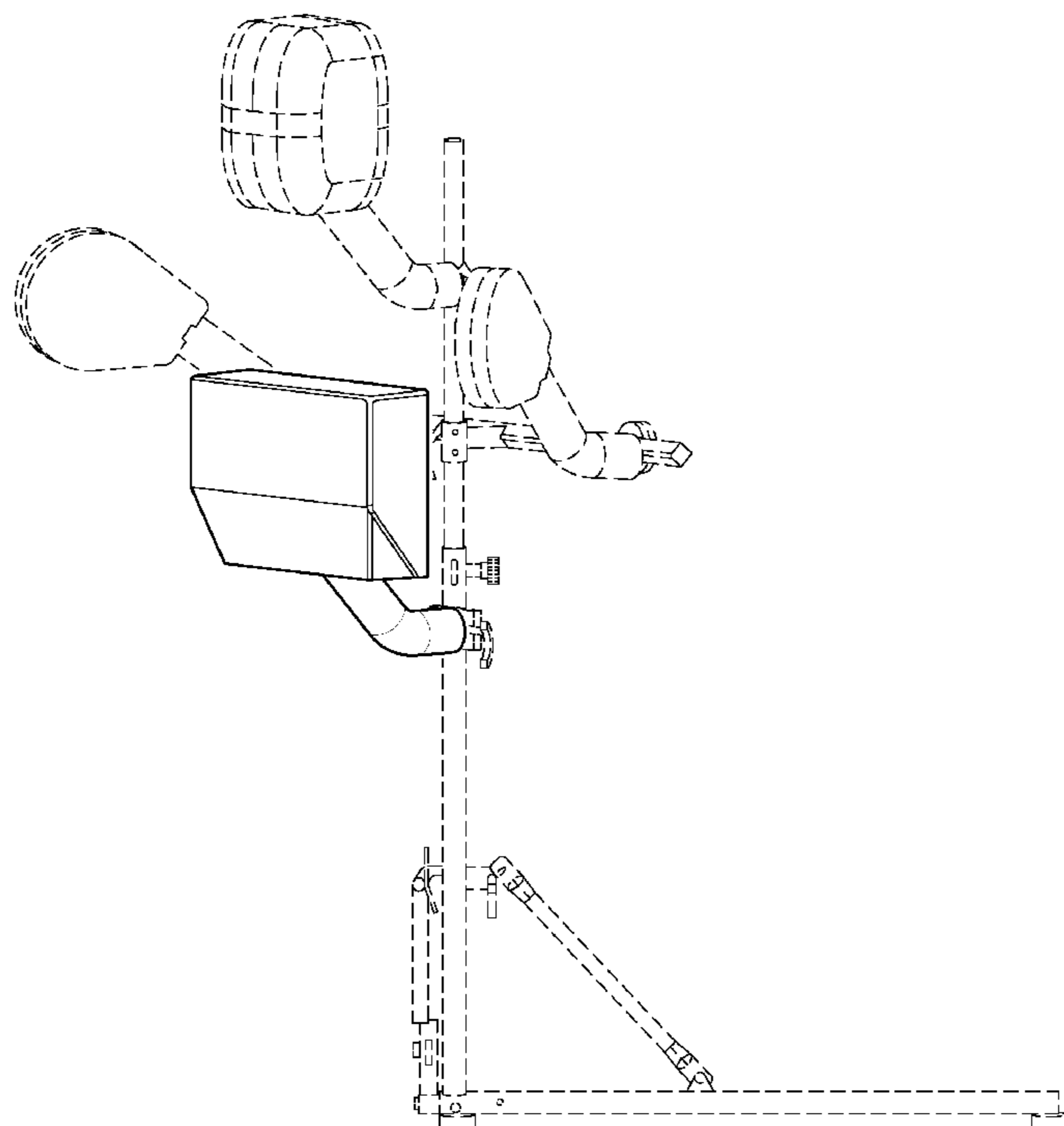


FIG. 1

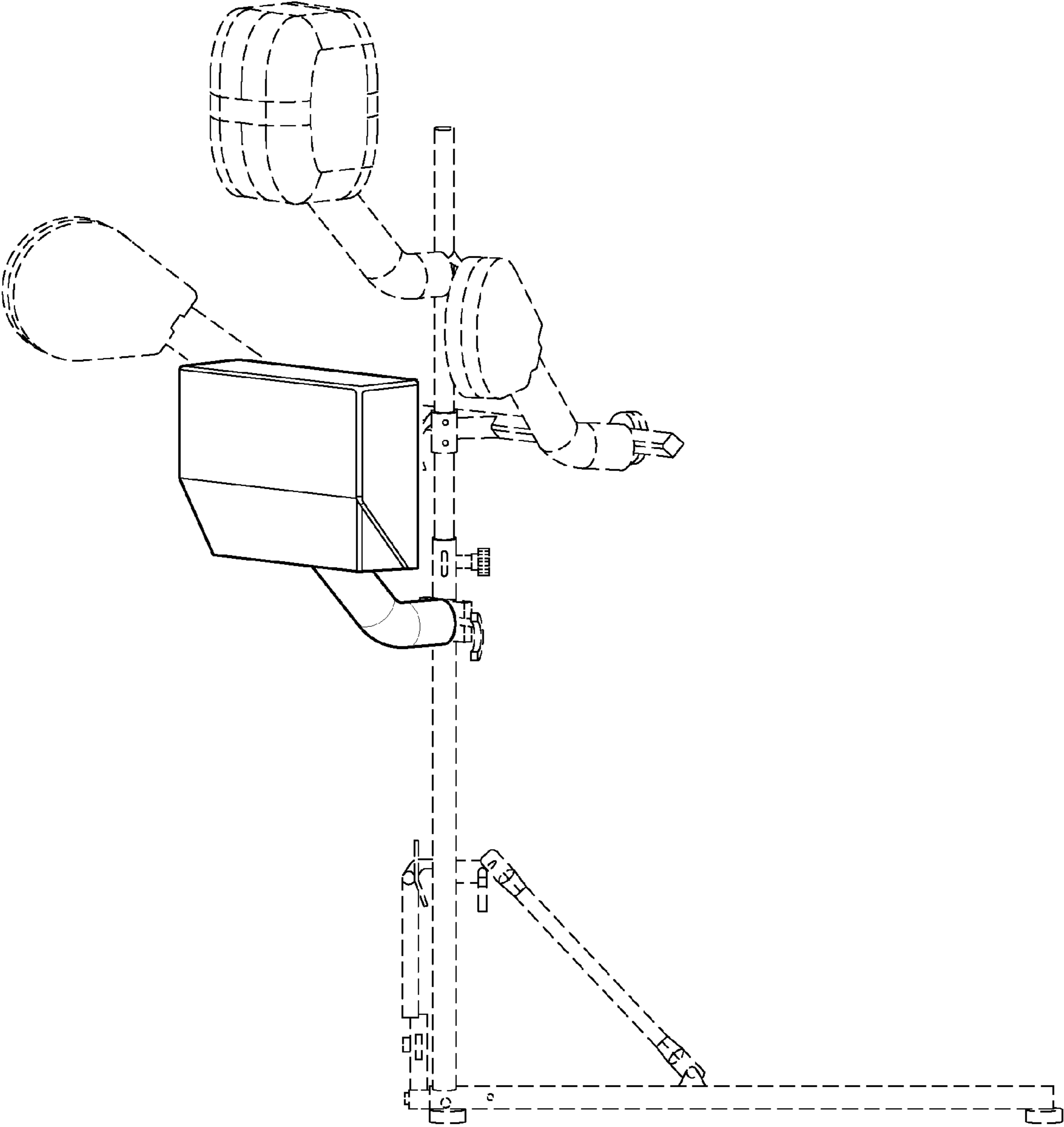


FIG. 2

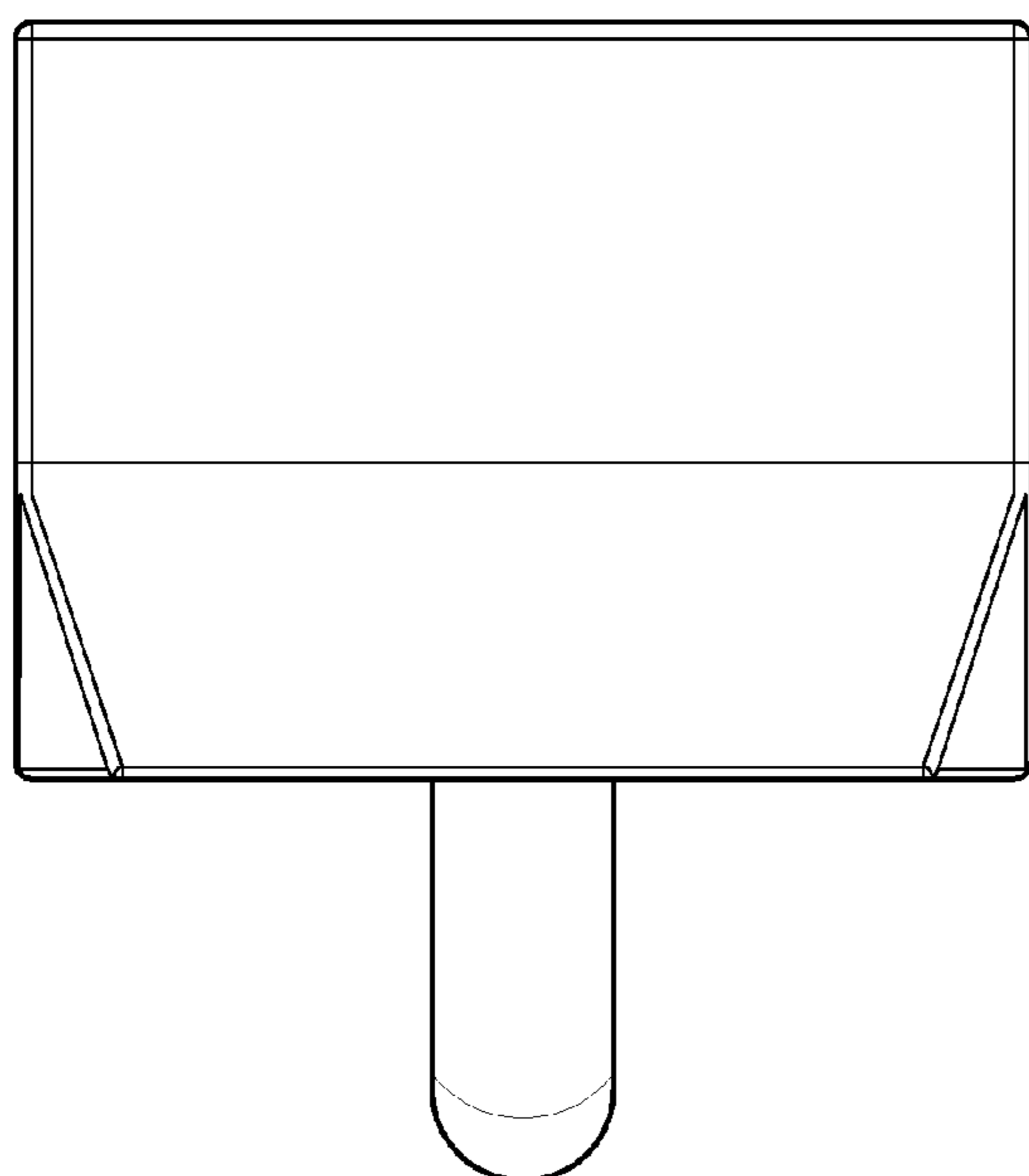
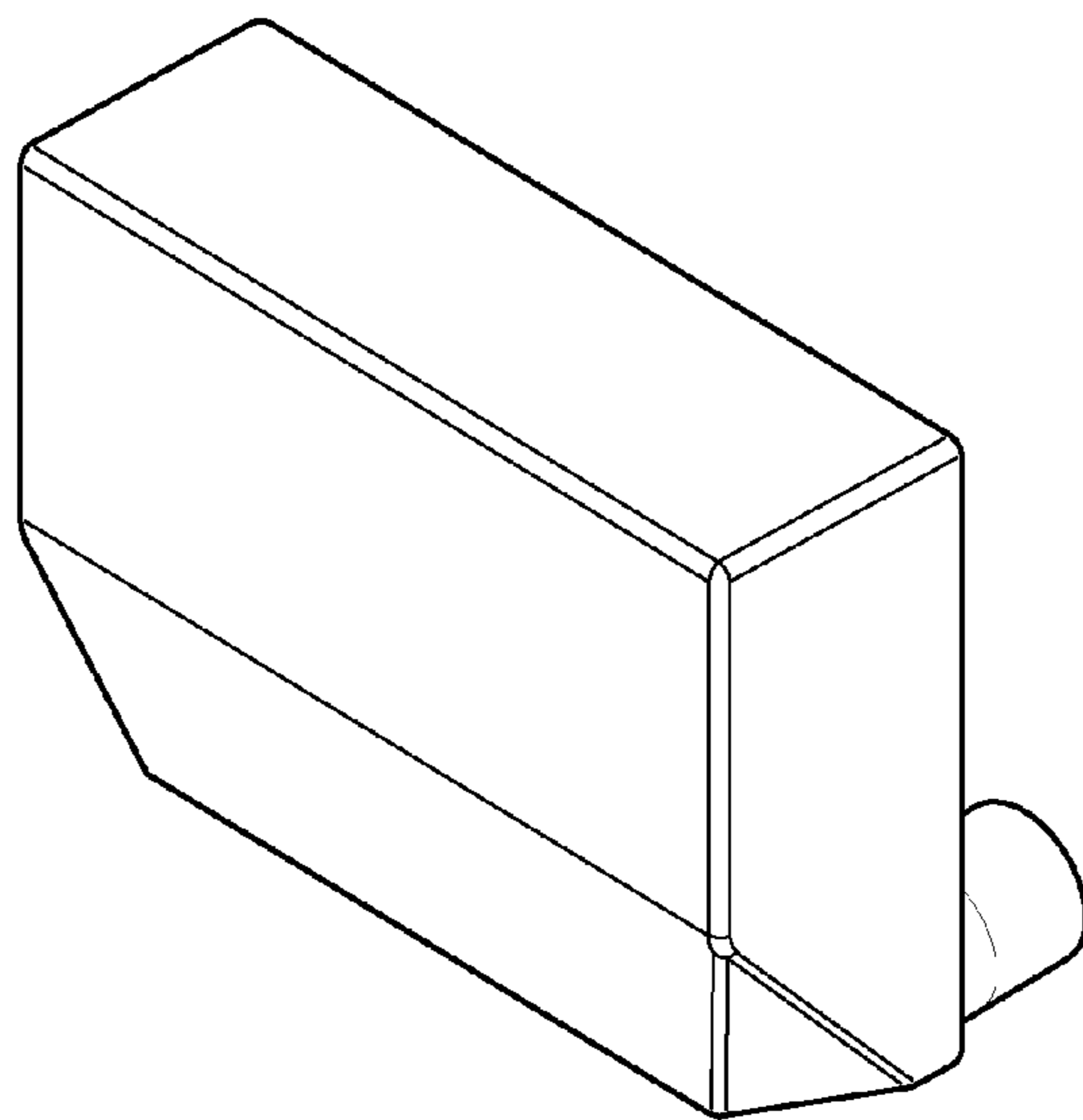


FIG. 3

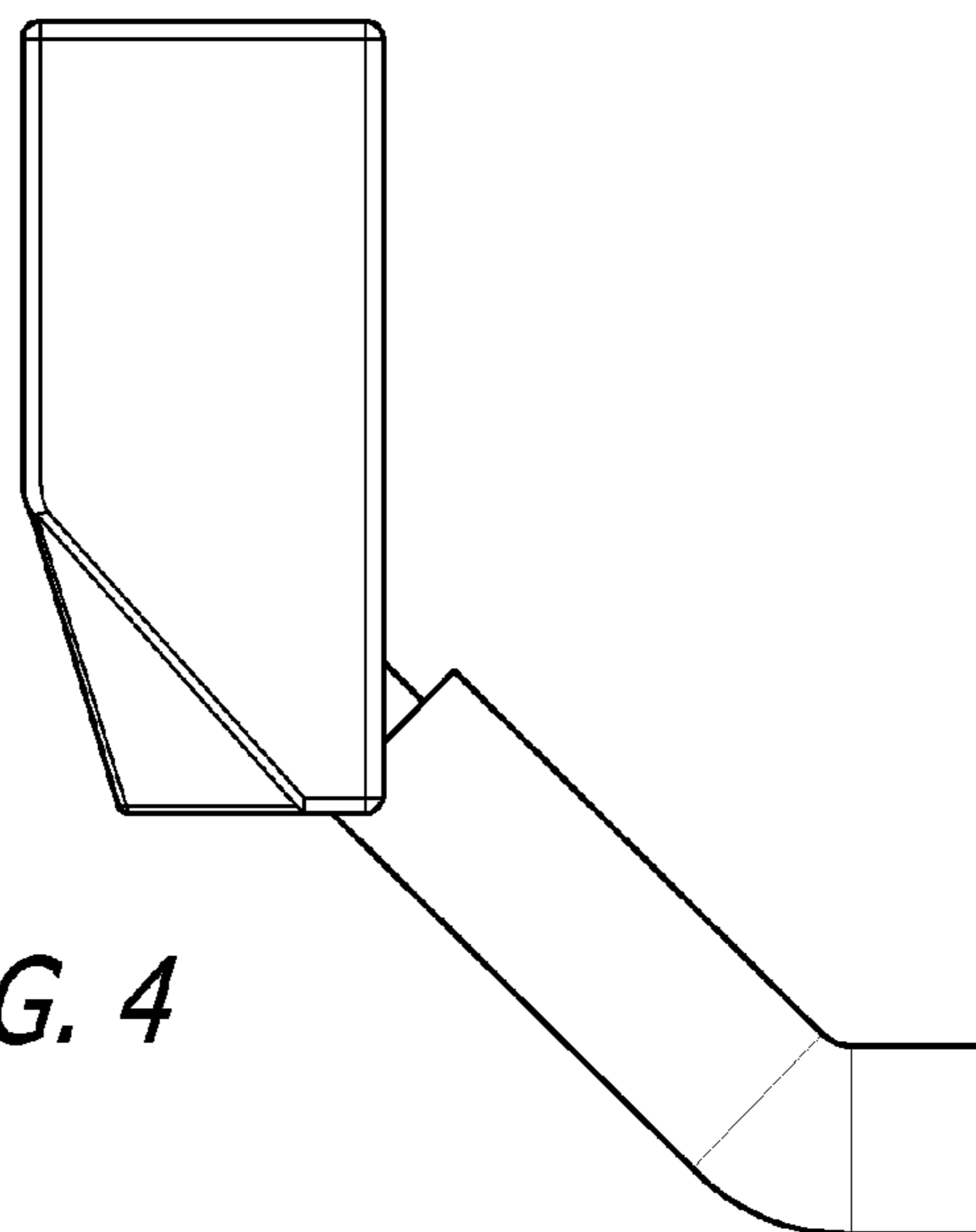


FIG. 4

FIG. 5

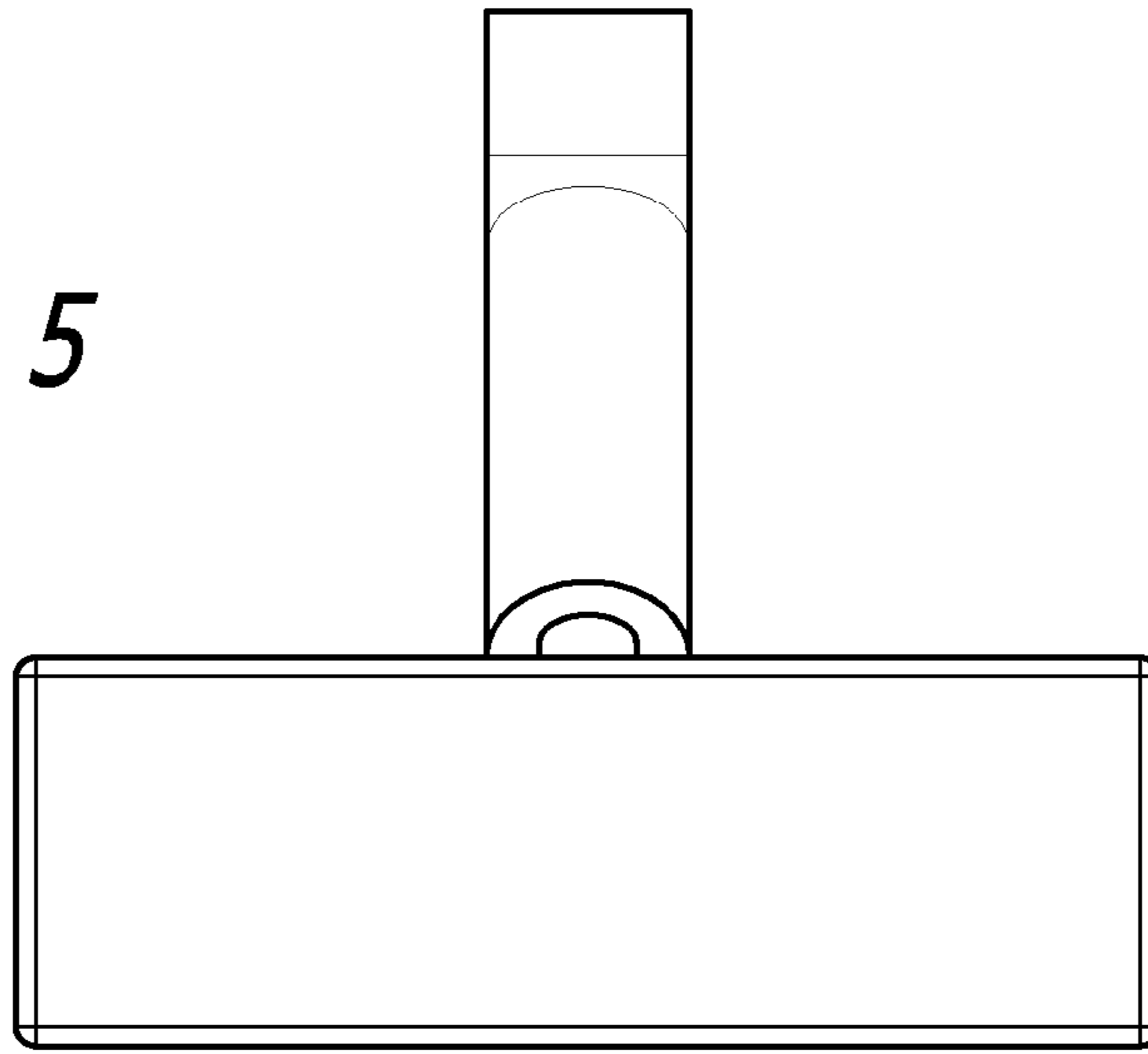


FIG. 6

