



US00D641811S

(12) **United States Design Patent**  
**Brenner et al.**

(10) **Patent No.:** **US D641,811 S**

(45) **Date of Patent:** **\*\* Jul. 19, 2011**

(54) **HEAD AND NECK PUNCHING TARGET**

(76) Inventors: **Patricia Brenner**, Encino, CA (US);  
**Greg Snyder**, San Rafael, CA (US)

(\*\*) Term: **14 Years**

(21) Appl. No.: **29/343,887**

(22) Filed: **Sep. 21, 2009**

(51) **LOC (9) Cl.** ..... **21-02**

(52) **U.S. Cl.** ..... **D21/694; D21/787; D21/798**

(58) **Field of Classification Search** ..... D21/662,  
D21/676, 687, 690-691, 694, 686, 673, 675,  
D21/787, 798; 482/83, 86-87, 89, 90, 138,  
482/140, 142, 144-145, 220

See application file for complete search history.

(56) **References Cited**

**U.S. PATENT DOCUMENTS**

4,093,212	A *	6/1978	Jacques	.....	482/83
4,309,029	A *	1/1982	Tomko	.....	482/83
D265,333	S *	7/1982	Lee	.....	D21/798
4,434,980	A	3/1984	Babineaux		
D291,339	S *	8/1987	Charles	.....	D21/787
D356,127	S *	3/1995	Mara	.....	D21/798
5,984,842	A	11/1999	Chu		
6,110,079	A	8/2000	Luedke et al.		
D437,908	S	2/2001	Hsiung		
6,220,992	B1 *	4/2001	Shafik	.....	482/83
6,241,640	B1 *	6/2001	Chu	.....	482/83
D518,135	S *	3/2006	Paxy	.....	D21/787
7,329,210	B1 *	2/2008	Marano	.....	482/83
2002/0160889	A1 *	10/2002	Lederman	.....	482/83
2007/0117689	A1 *	5/2007	MacKay et al.	.....	482/86
2007/0167297	A1 *	7/2007	Stevenson	.....	482/83

2008/0032872	A1 *	2/2008	Nappier	.....	482/83
2009/0264262	A1 *	10/2009	Brenner et al.	.....	482/83
2009/0264264	A1 *	10/2009	Reen	.....	482/86

\* cited by examiner

*Primary Examiner* — Susan E Krakower

(74) *Attorney, Agent, or Firm* — Julio M. Loza; Loza & Loza, LLP

(57) **CLAIM**

The ornamental design for a head and neck punching target, as shown and described.

**DESCRIPTION**

FIG. 1 is a perspective view of a head and neck punching target of the present invention;

FIG. 2 is a perspective view of a head and neck punching target of the present invention;

FIG. 3 is a right side view of a head and neck punching target of the present invention, the left side view being a mirror image thereof;

FIG. 4 is a front view of a head and neck punching target of the present invention;

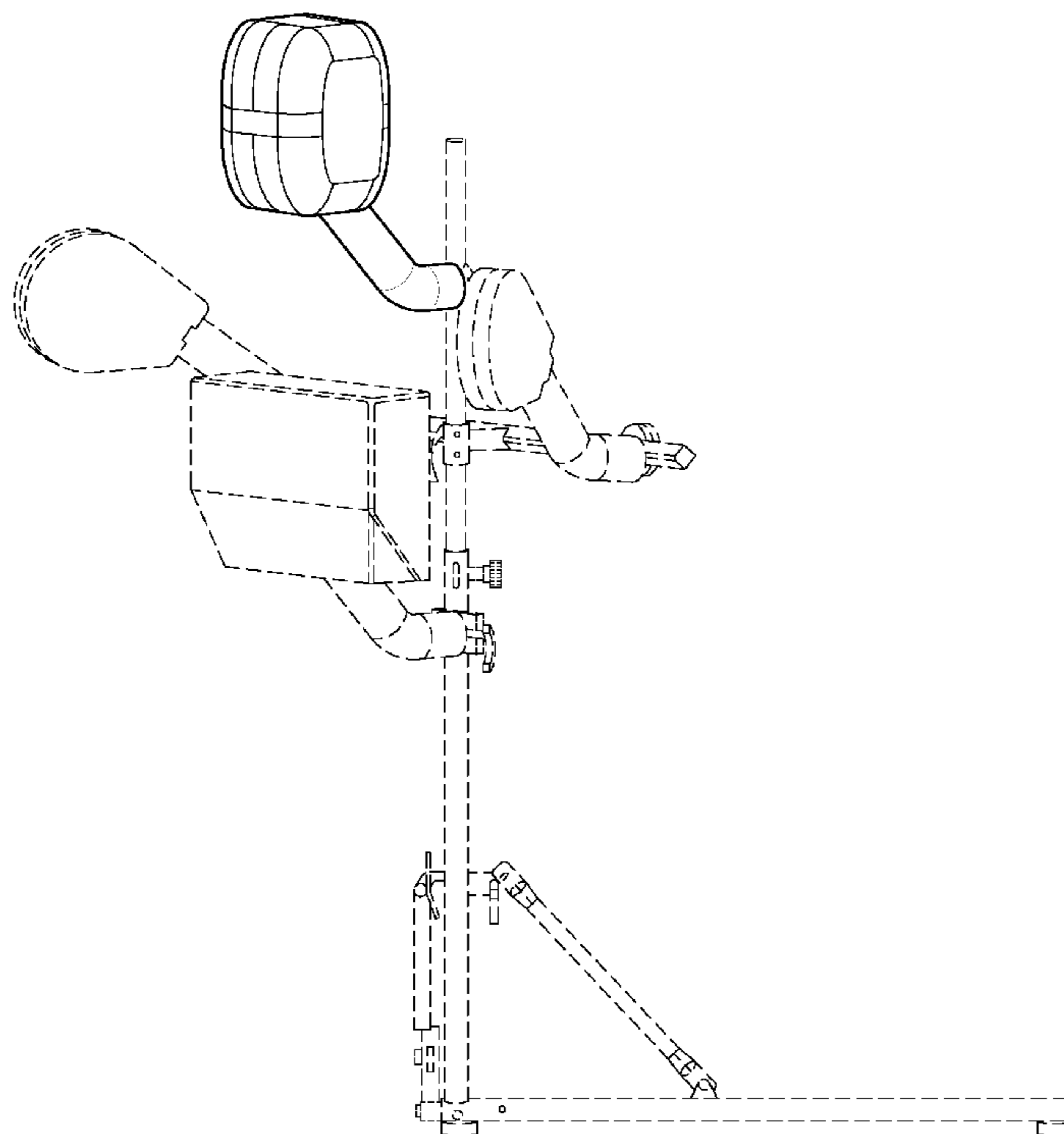
FIG. 5 is a top plan view of a head and neck punching target of the present invention; and,

FIG. 6 is a bottom plan view of a head and neck punching target of the present invention.

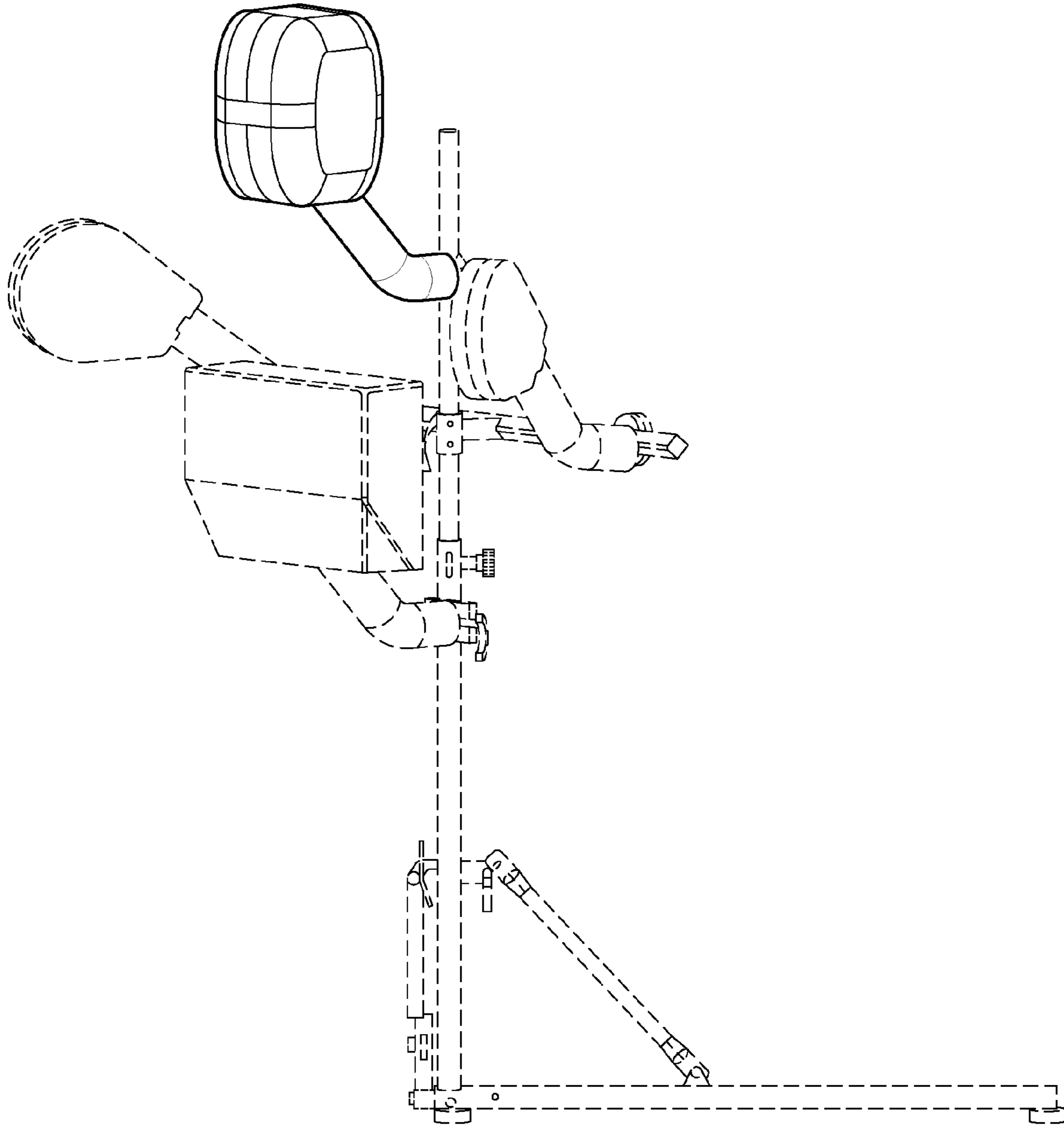
It is understood that the solid lines within the claimed design indicate seam lines which form part of the claimed design.

The broken lines in FIG. 1 show an environment of the claimed designed and are for illustrative purposes only forming no part of the claimed design.

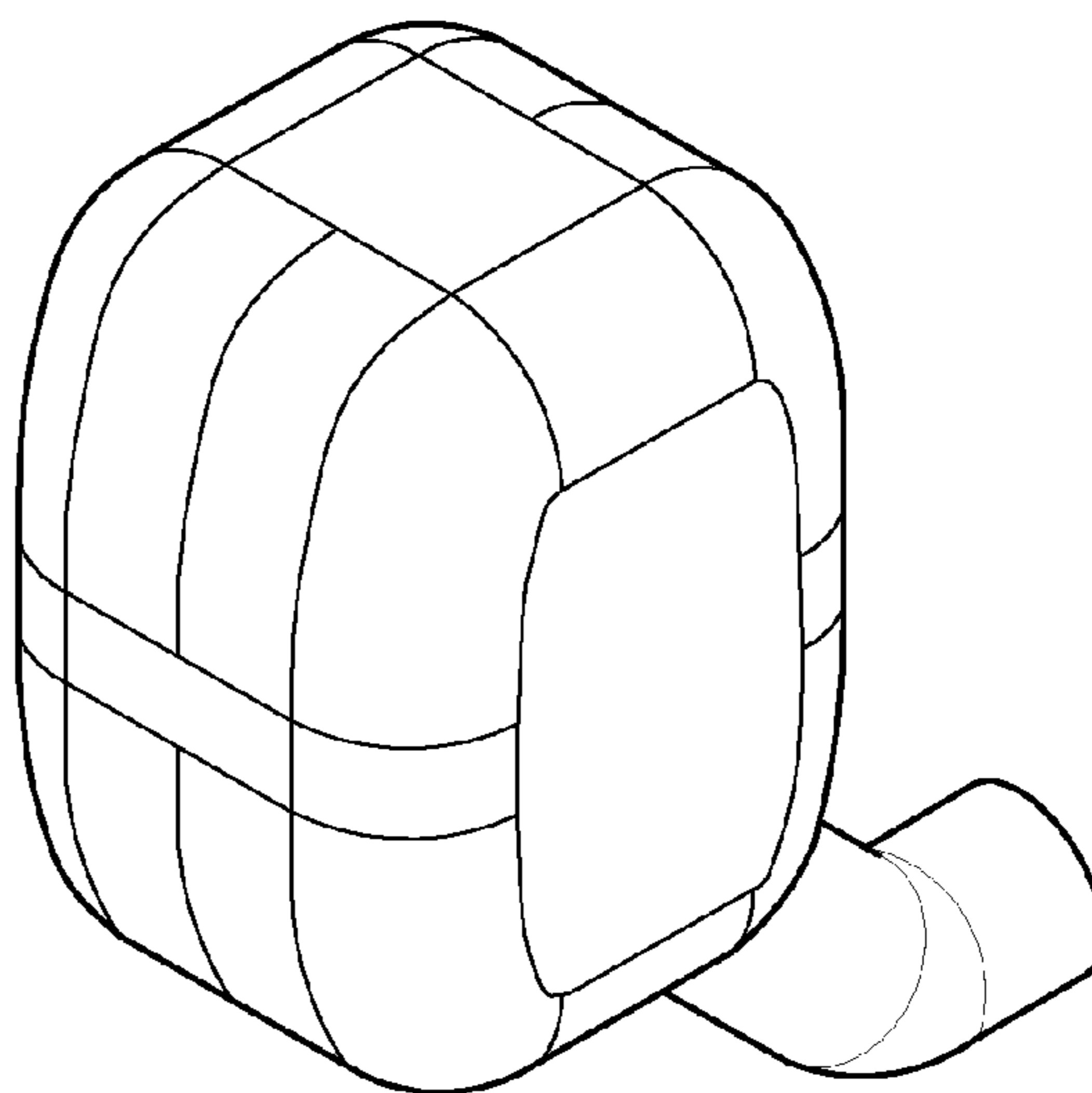
**1 Claim, 3 Drawing Sheets**



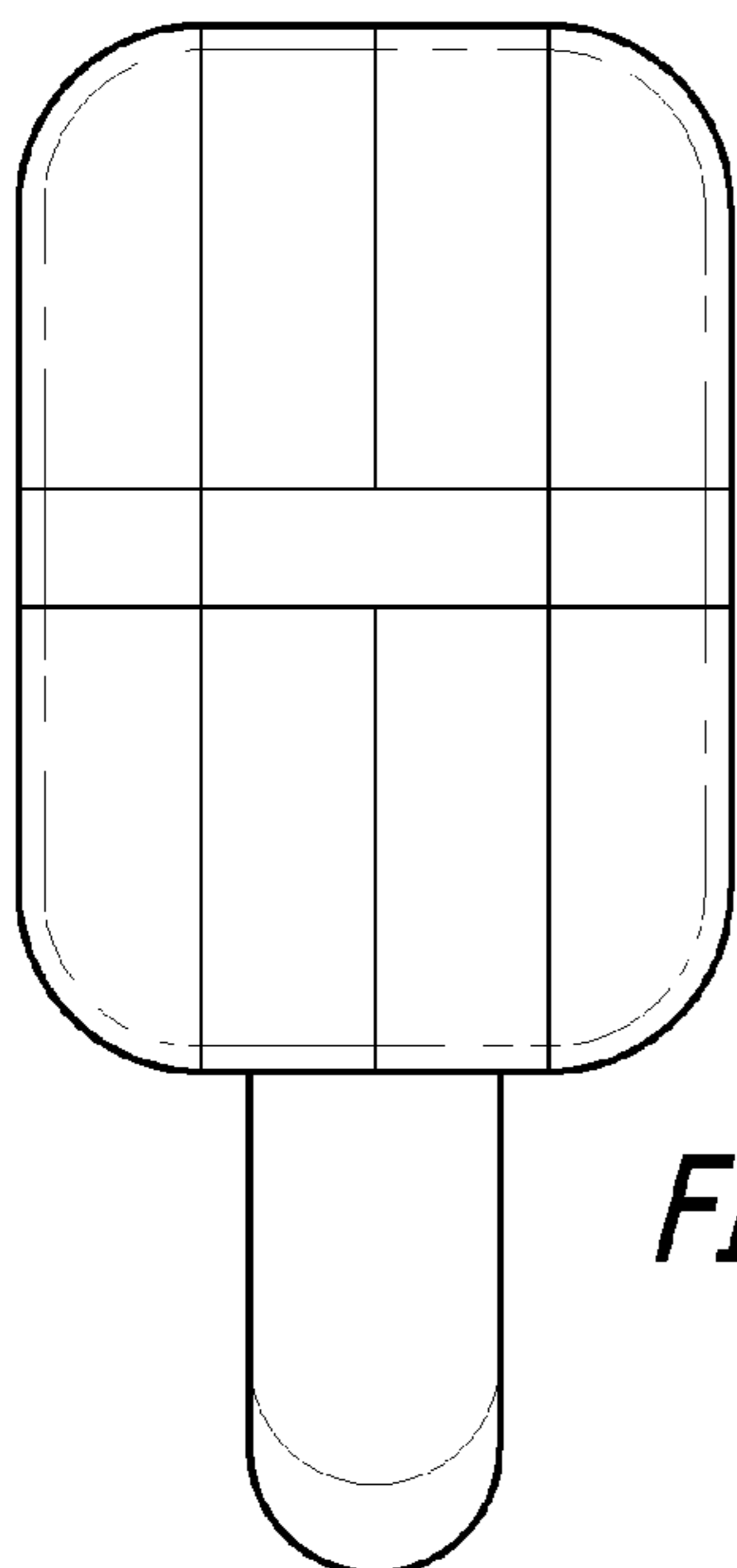
*FIG. 1*



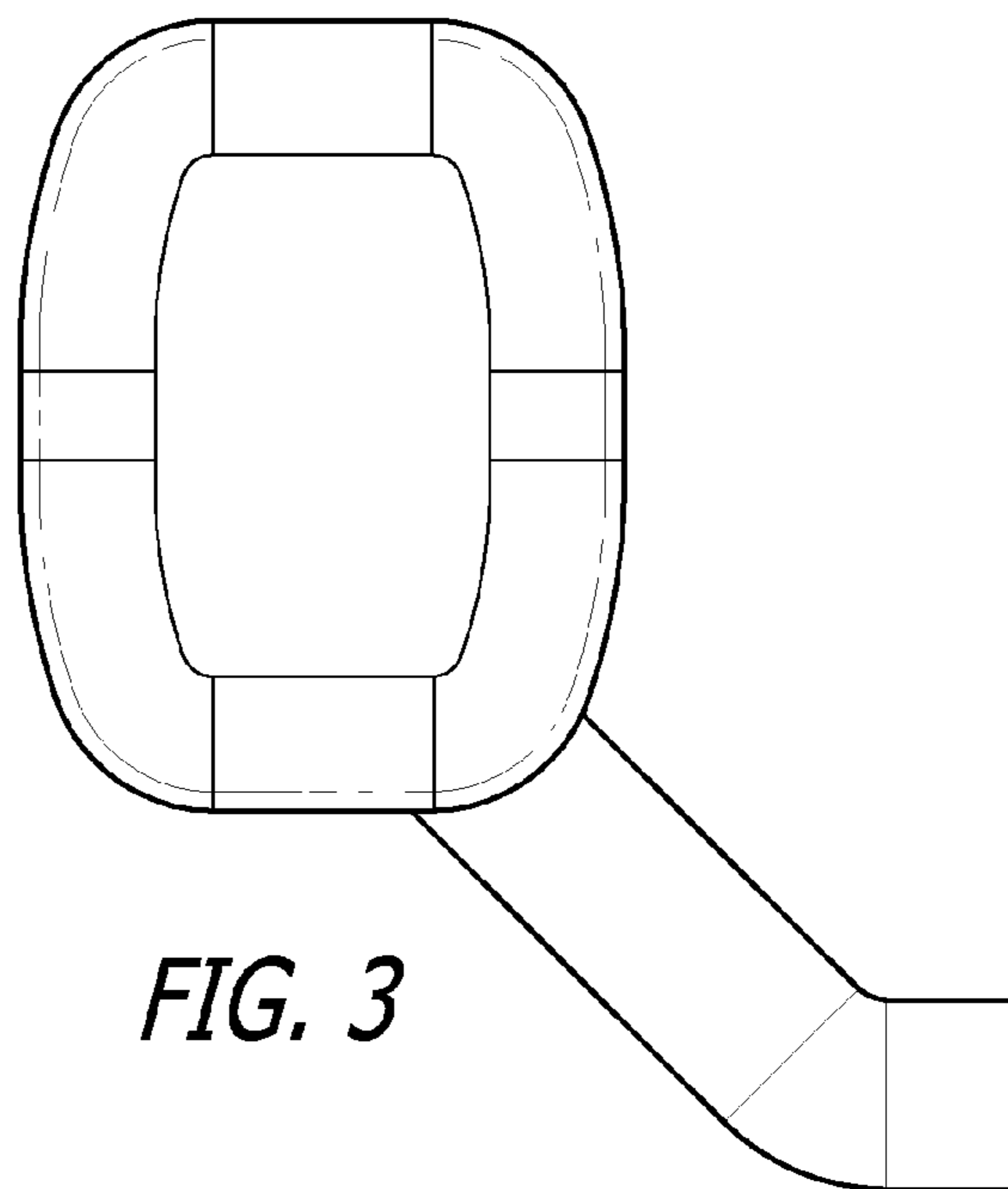
*FIG. 2*



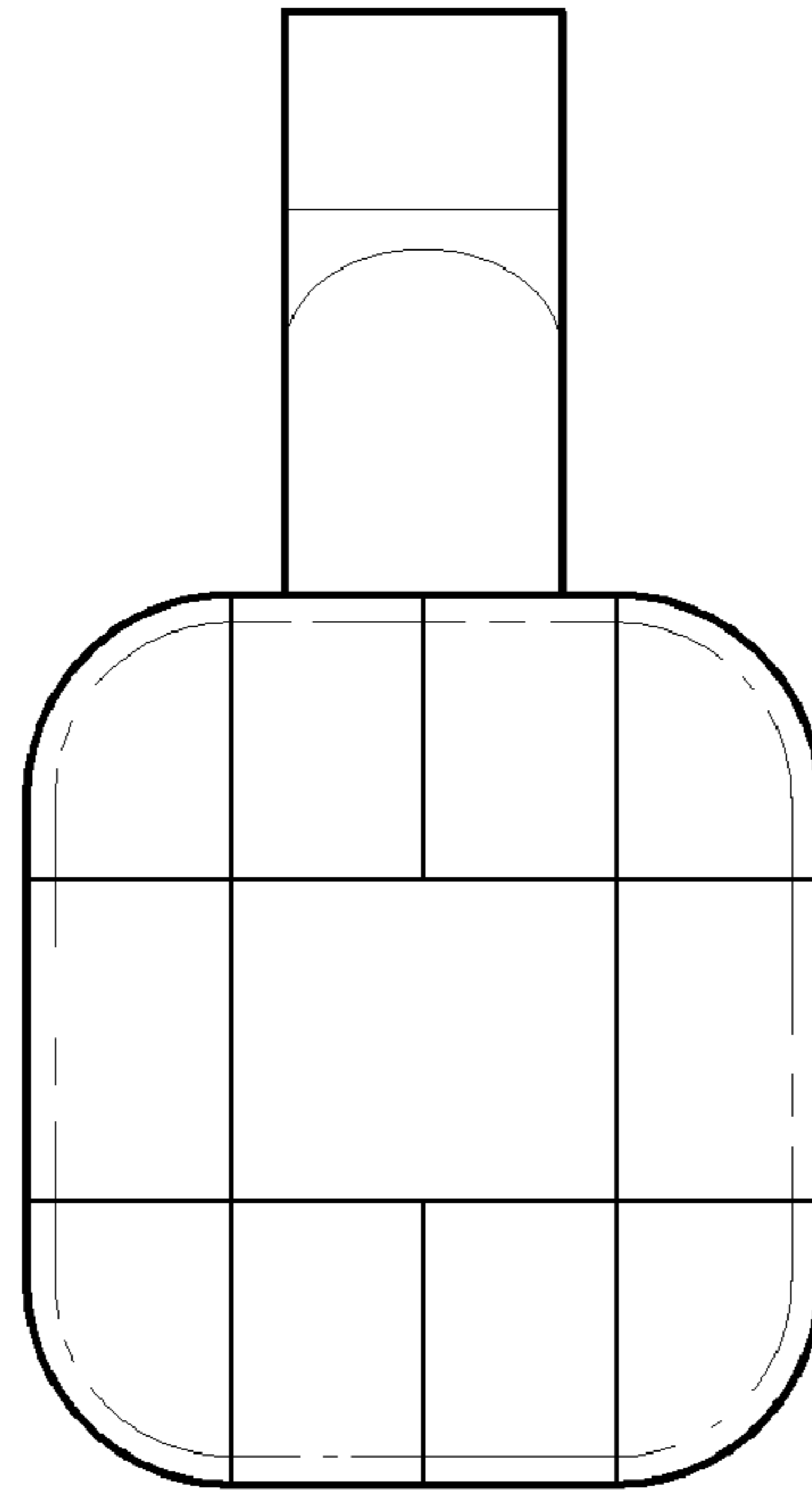
*FIG. 4*



*FIG. 3*



*FIG. 5*



*FIG. 6*

