



US00D641810S

(12) **United States Design Patent**
Zhou

(10) **Patent No.:** **US D641,810 S**

(45) **Date of Patent:** **** *Jul. 19, 2011**

(54) **EXERCISE MACHINE**

(75) Inventor: **Yuzhi Zhou**, Xiamen Fujian (CN)

(73) Assignee: **Xiamen Zhoulong Sporting Goods Co., Ltd.**, Fujian (CN)

(*) Notice: This patent is subject to a terminal disclaimer.

(**) Term: **14 Years**

(21) Appl. No.: **29/299,608**

(22) Filed: **Dec. 29, 2007**

(51) **LOC (9) Cl.** **21-02**

(52) **U.S. Cl.** **D21/668**

(58) **Field of Classification Search** D21/668,
D21/669, 670, 694; 482/51, 52, 54, 57, 70,
482/71

See application file for complete search history.

(56) **References Cited**

U.S. PATENT DOCUMENTS

D297,745 S * 9/1988 Thomson et al. D21/405
5,020,793 A * 6/1991 Loane 482/71

5,328,427 A * 7/1994 Sleamaker 482/71
D385,600 S * 10/1997 Lo et al. D21/668
D387,107 S * 12/1997 Yang D21/668
D390,289 S * 2/1998 Chen D21/668
D392,700 S * 3/1998 Piaget D21/670
6,280,366 B1 * 8/2001 Hsieh 482/130
6,514,180 B1 * 2/2003 Rawls 482/70
D512,111 S * 11/2005 Summers D21/668
D550,312 S * 9/2007 Summers D21/668

* cited by examiner

Primary Examiner — Philip S Hyder

(74) *Attorney, Agent, or Firm* — Shia-Banger

(57) **CLAIM**

The ornamental design for exercise machine, as shown and described.

DESCRIPTION

FIG. 1 is a perspective view of exercise machine showing my present design,

FIG. 2 is a front elevation view thereof;

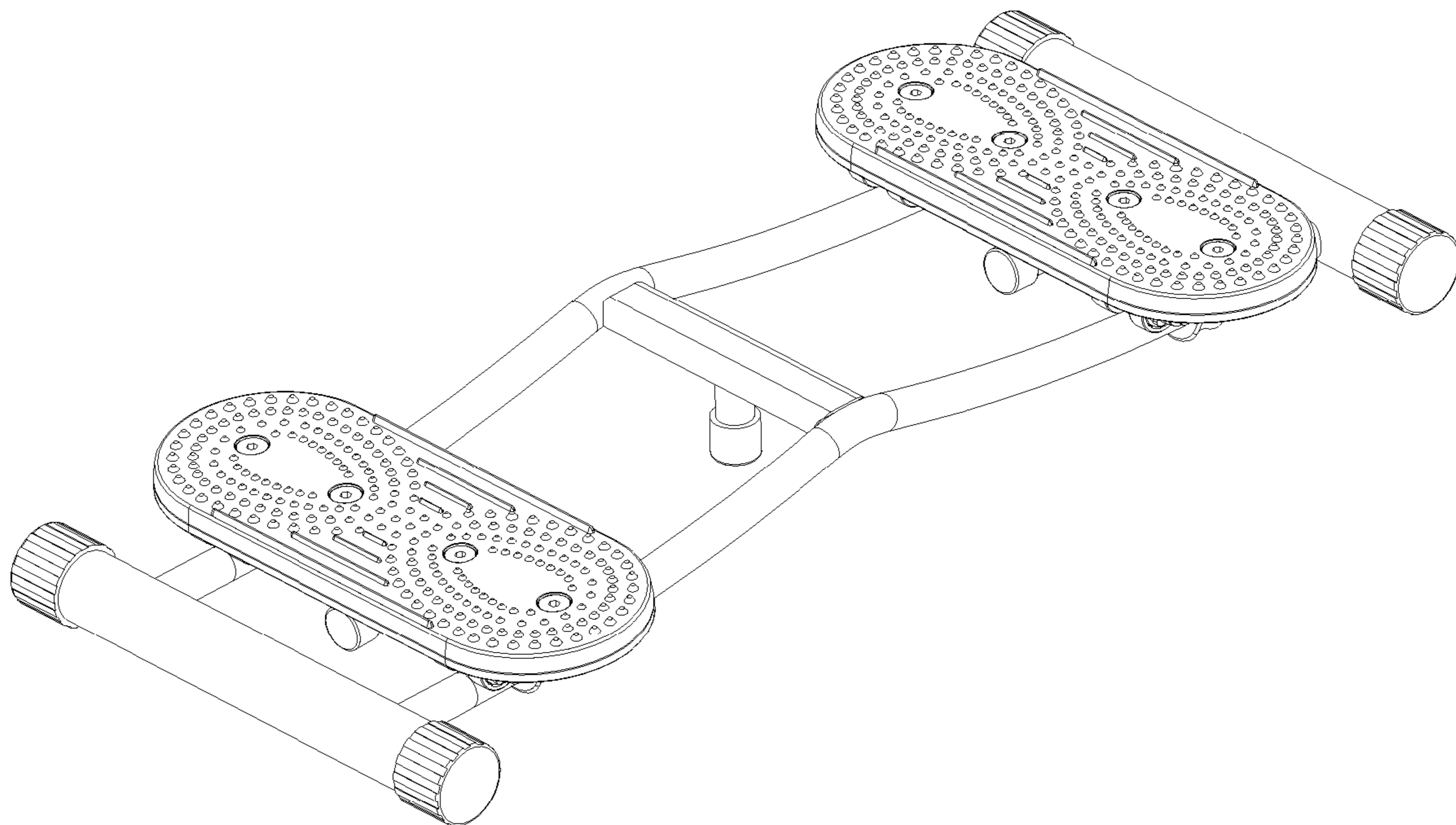
FIG. 3 is a rear elevation view thereof;

FIG. 4 is a left side elevation view thereof;

FIG. 5 is a right side elevation view thereof; and,

FIG. 6 is a top plan view thereof.

1 Claim, 4 Drawing Sheets



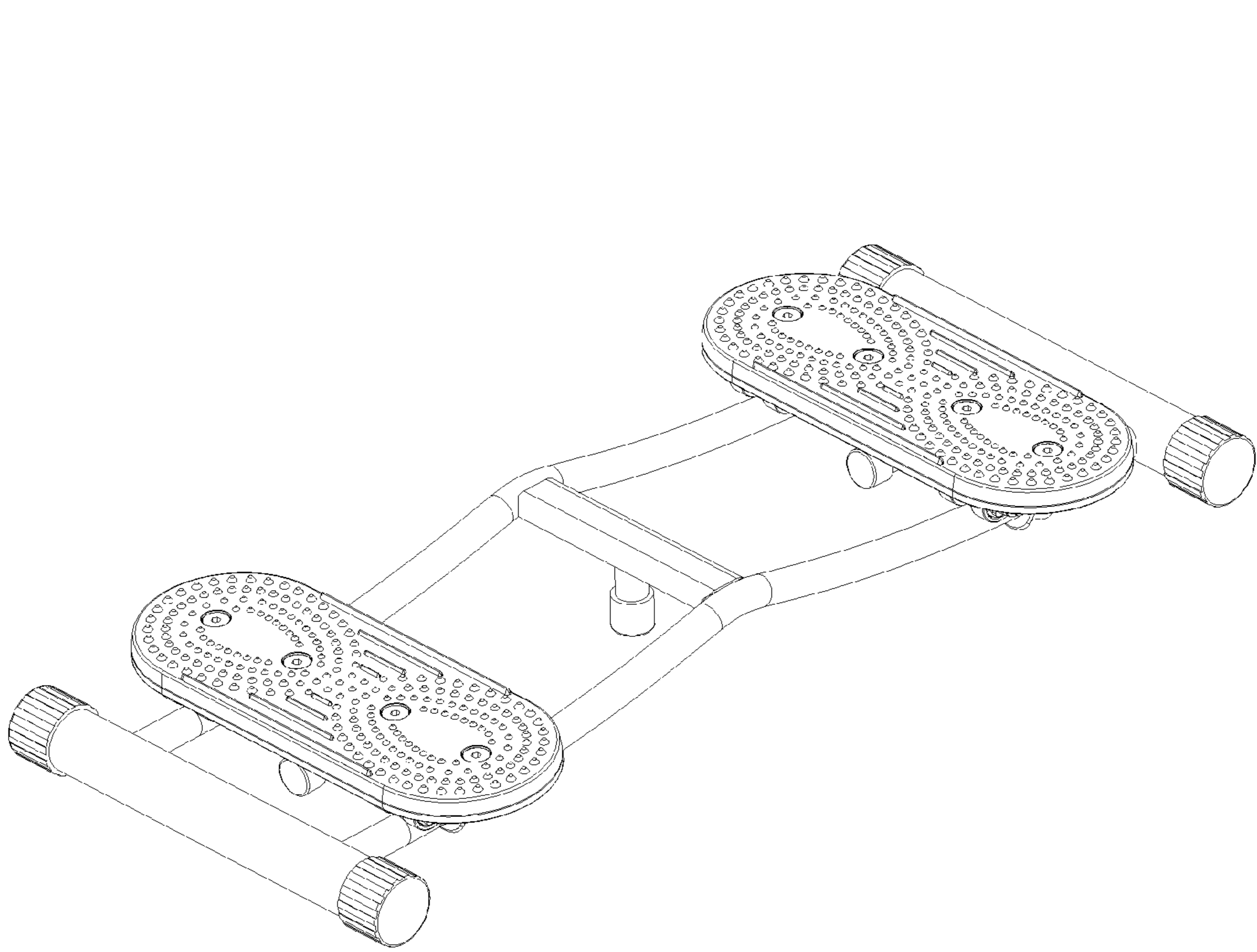


FIG. 1

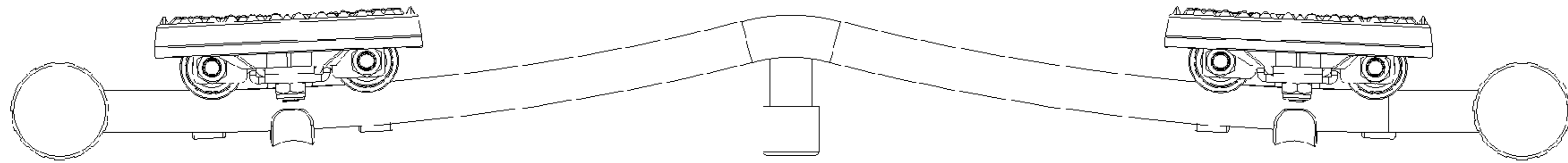


FIG. 2

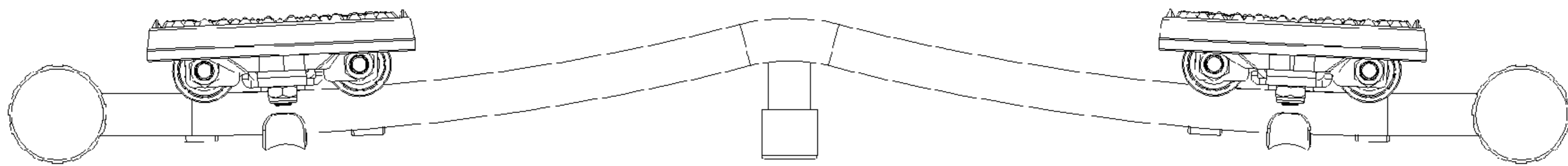


FIG. 3

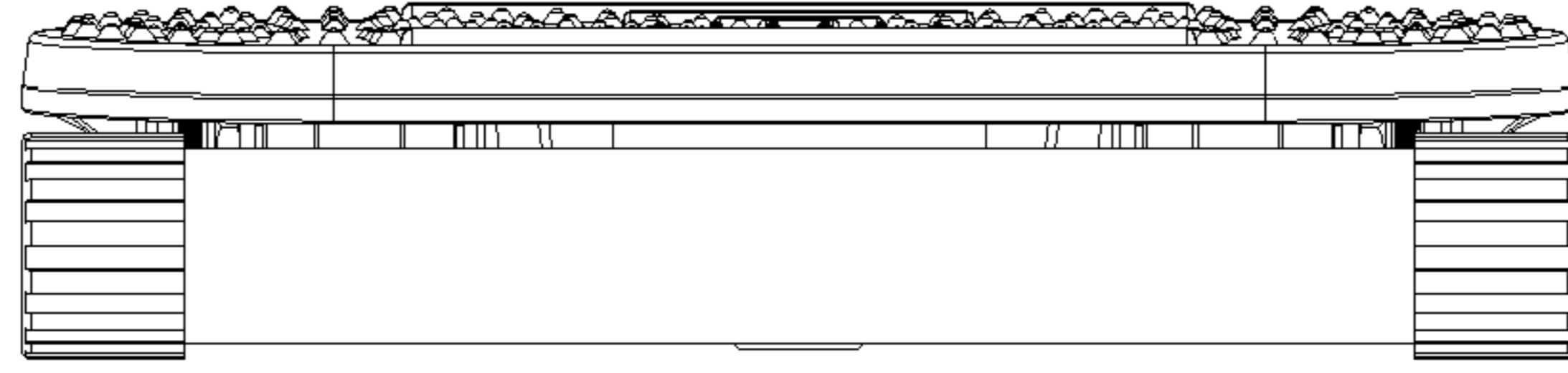


FIG. 4

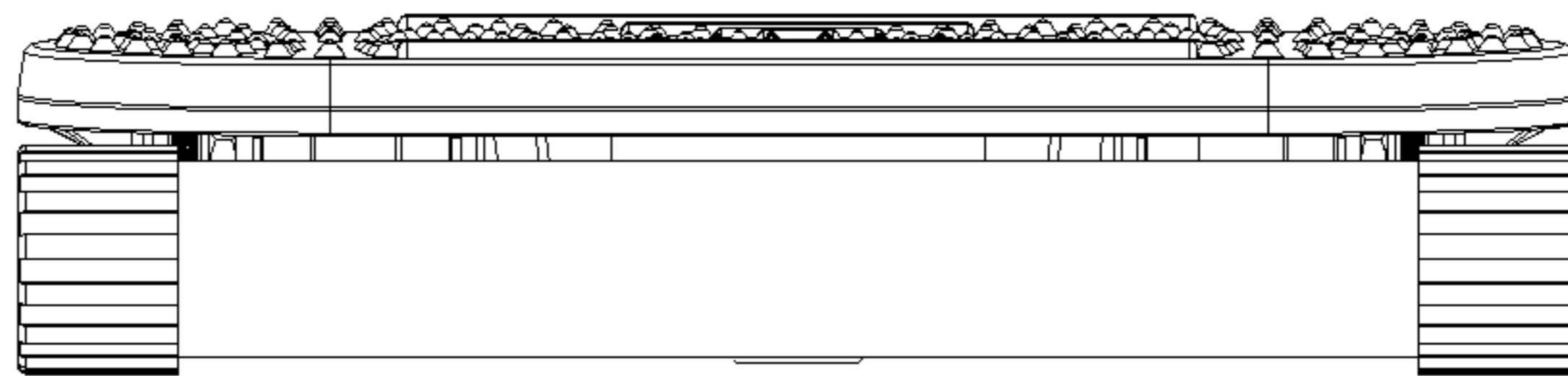


FIG. 5

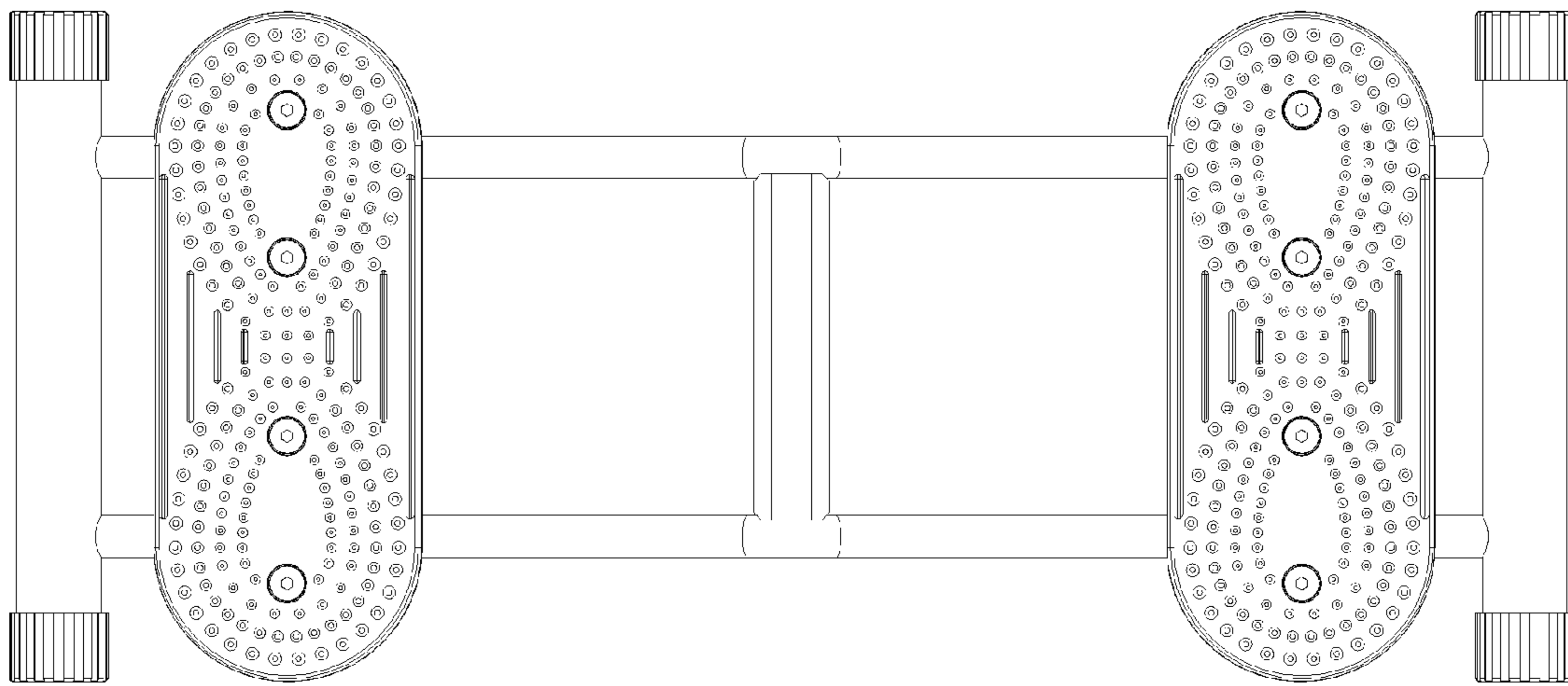


FIG. 6