

US00D641809S

(12) **United States Design Patent**  
**Thulin**

(10) **Patent No.:** **US D641,809 S**

(45) **Date of Patent:** **\*\* Jul. 19, 2011**

(54) **WEIGHT MAGAZINE**

(76) **Inventor:** **Mats Thulin**, Lidingo (SE)

(\*\*) **Term:** **14 Years**

(21) **Appl. No.:** **29/357,325**

(22) **Filed:** **Mar. 10, 2010**

(51) **LOC (9) Cl.** ..... **21-02**

(52) **U.S. Cl.** ..... **D21/662; D21/680**

(58) **Field of Classification Search** ..... D21/662,  
D21/673-676, 686, 690-691; 482/93-94,  
482/96-100, 133-134, 137-138, 140-142,  
482/148

See application file for complete search history.

7,179,209	B2 *	2/2007	Sechrest et al.	.....	482/103
7,413,532	B1 *	8/2008	Monsrud et al.	.....	482/99
7,597,653	B1 *	10/2009	Lindemeier	.....	482/129
7,632,221	B1 *	12/2009	Kolander	.....	482/94
7,740,568	B2 *	6/2010	Webb	.....	482/94
7,766,800	B1 *	8/2010	Krull	.....	482/93

**FOREIGN PATENT DOCUMENTS**

EM 001102800 3/2009

\* cited by examiner

*Primary Examiner* — Susan E Krakower

(74) *Attorney, Agent, or Firm* — Young & Thompson

(57) **CLAIM**

The ornamental design for a weight magazine, as shown and described.

**DESCRIPTION**

FIG. 1 is a front, right side and top perspective view of a weight magazine showing my new design; FIG. 2 is a front elevational view thereof; FIG. 3 is a rear elevational view thereof; FIG. 4 is a left side elevational view thereof; and, FIG. 5 is a right side elevational view thereof.

The appearance of the leg press from the underside is not part of the claimed design.

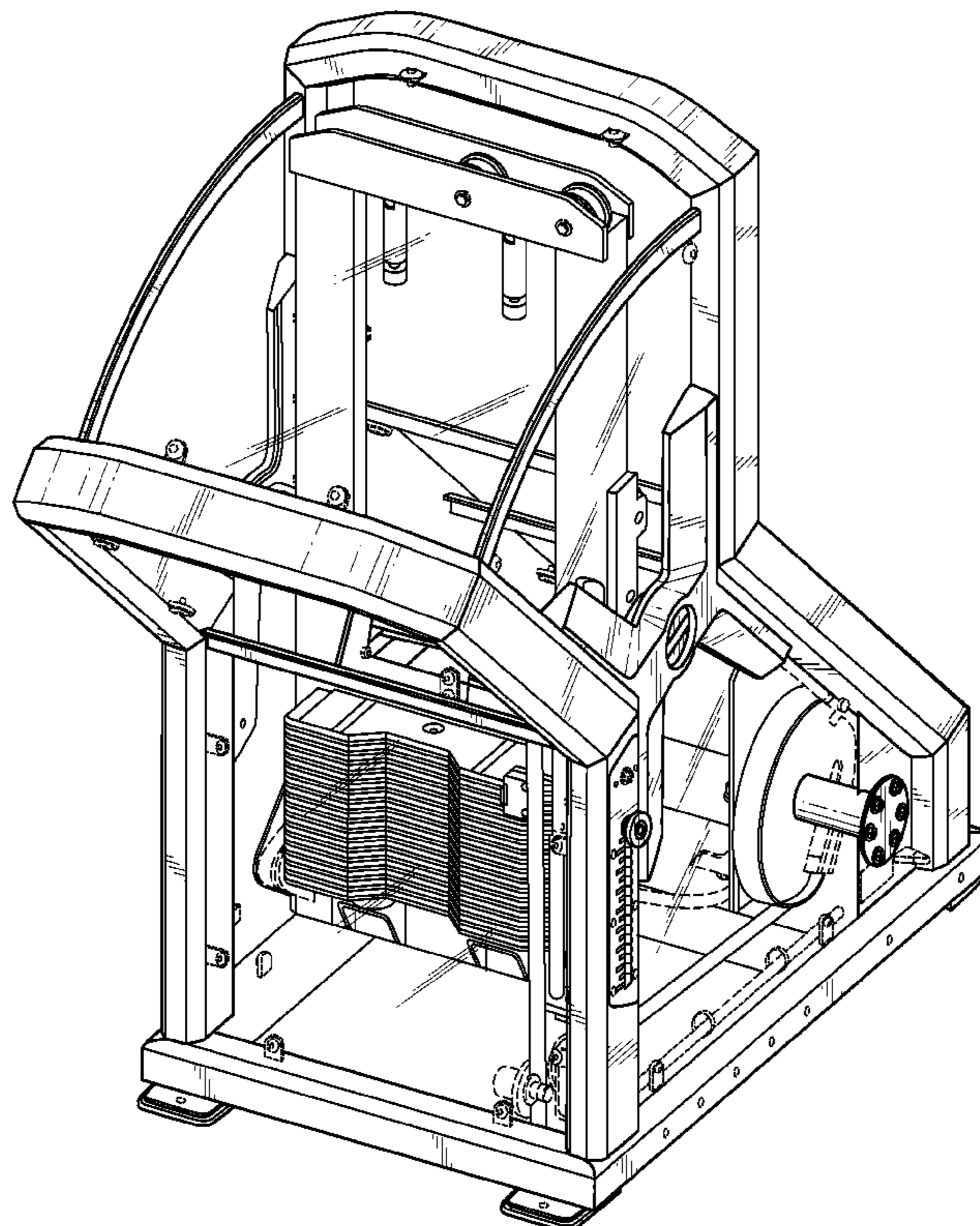
Environmental elements of the disclosure shown in broken lines form no part of the claimed design.

**1 Claim, 5 Drawing Sheets**

(56) **References Cited**

**U.S. PATENT DOCUMENTS**

4,600,189	A *	7/1986	Olschansky et al.	.....	482/100
5,256,122	A *	10/1993	Deden	.....	482/99
5,447,480	A *	9/1995	Fulks	.....	482/99
5,518,477	A *	5/1996	Simonson	.....	482/102
5,655,997	A *	8/1997	Greenberg et al.	.....	482/5
5,776,040	A *	7/1998	Webb et al.	.....	482/98
6,117,049	A *	9/2000	Lowe	.....	482/4
6,350,220	B1 *	2/2002	Milburn et al.	.....	482/98
6,468,189	B2 *	10/2002	Alessandri	.....	482/99
6,482,128	B1 *	11/2002	Michalow	.....	482/14
7,011,609	B1 *	3/2006	Kuo	.....	482/94



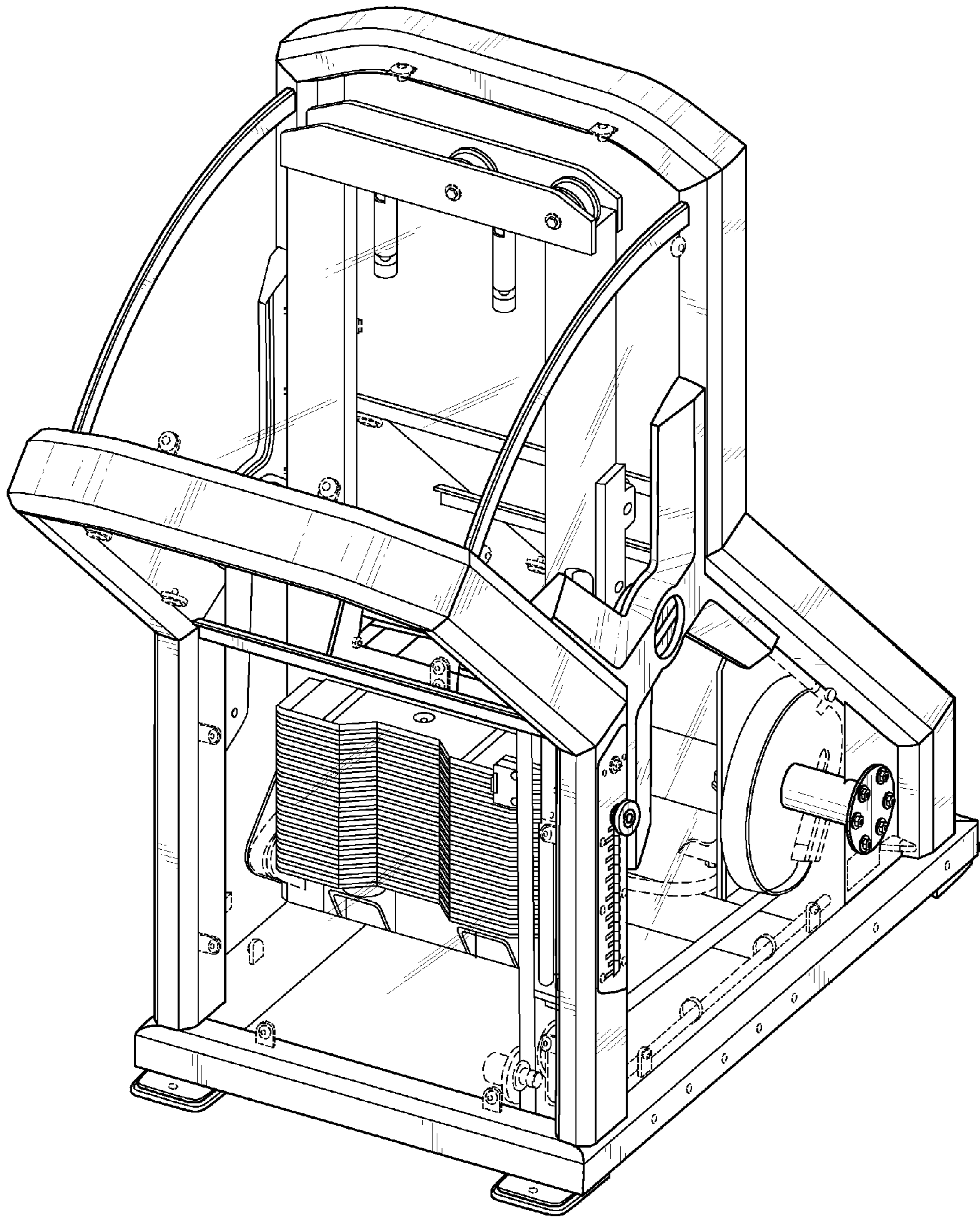


FIG. 1

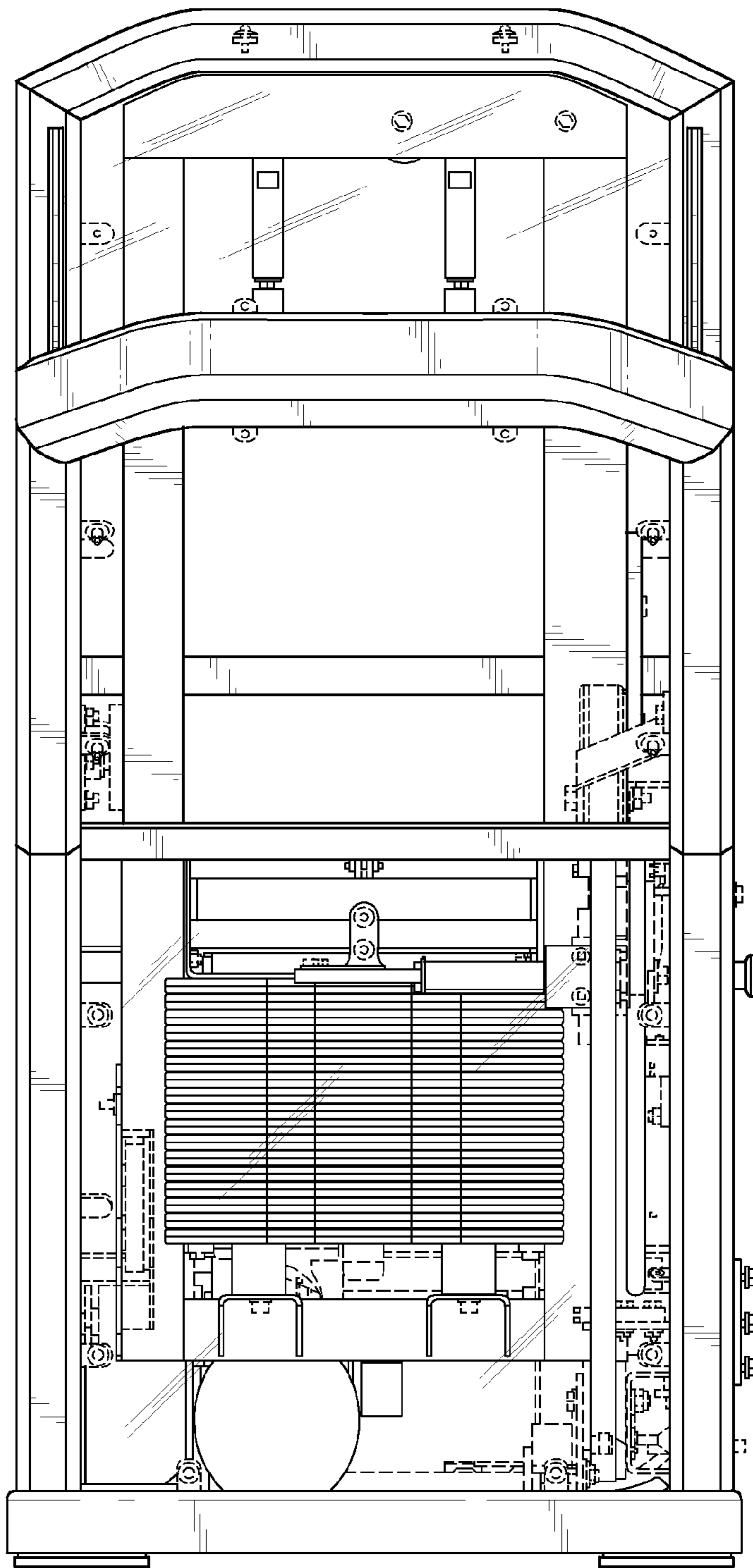


FIG. 2

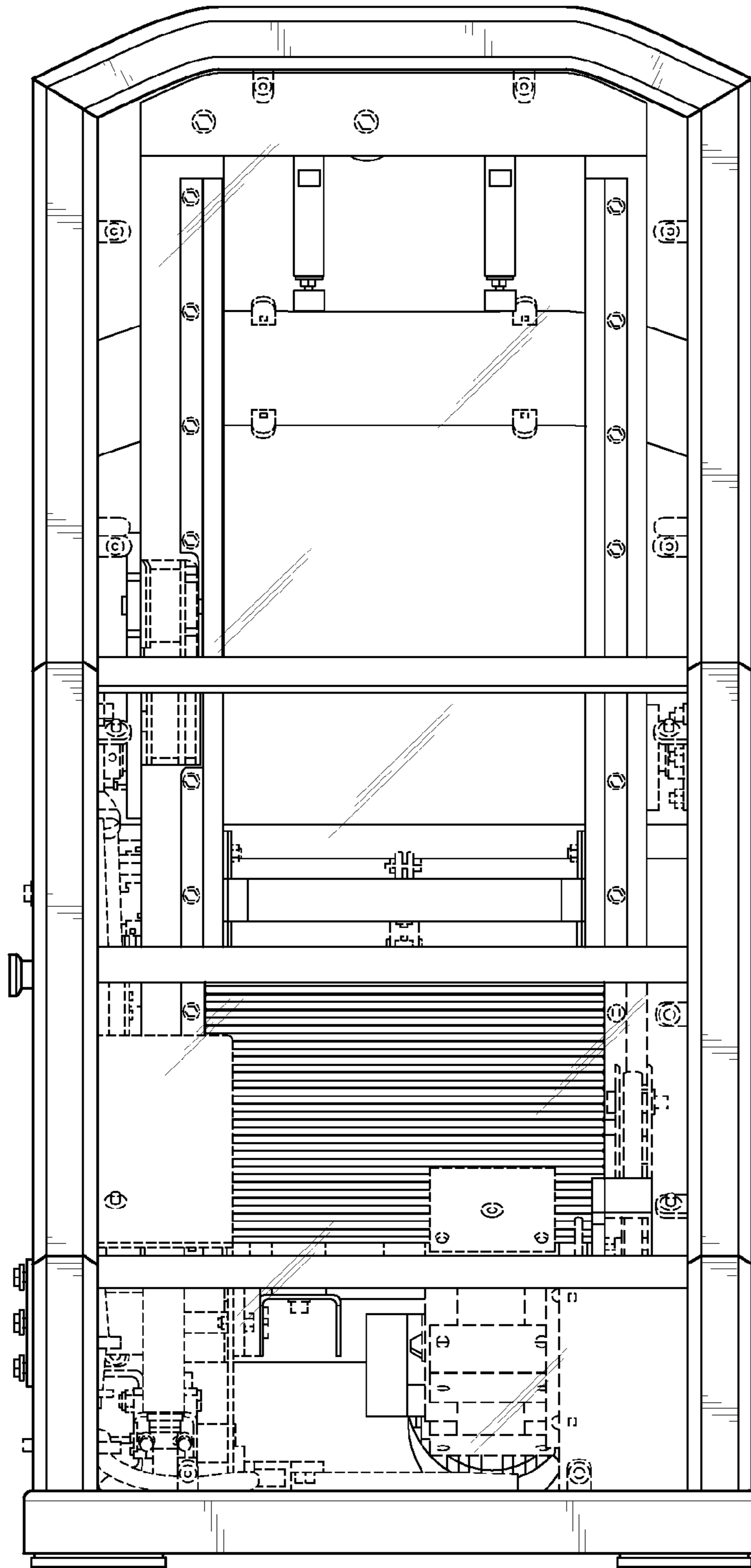


FIG. 3

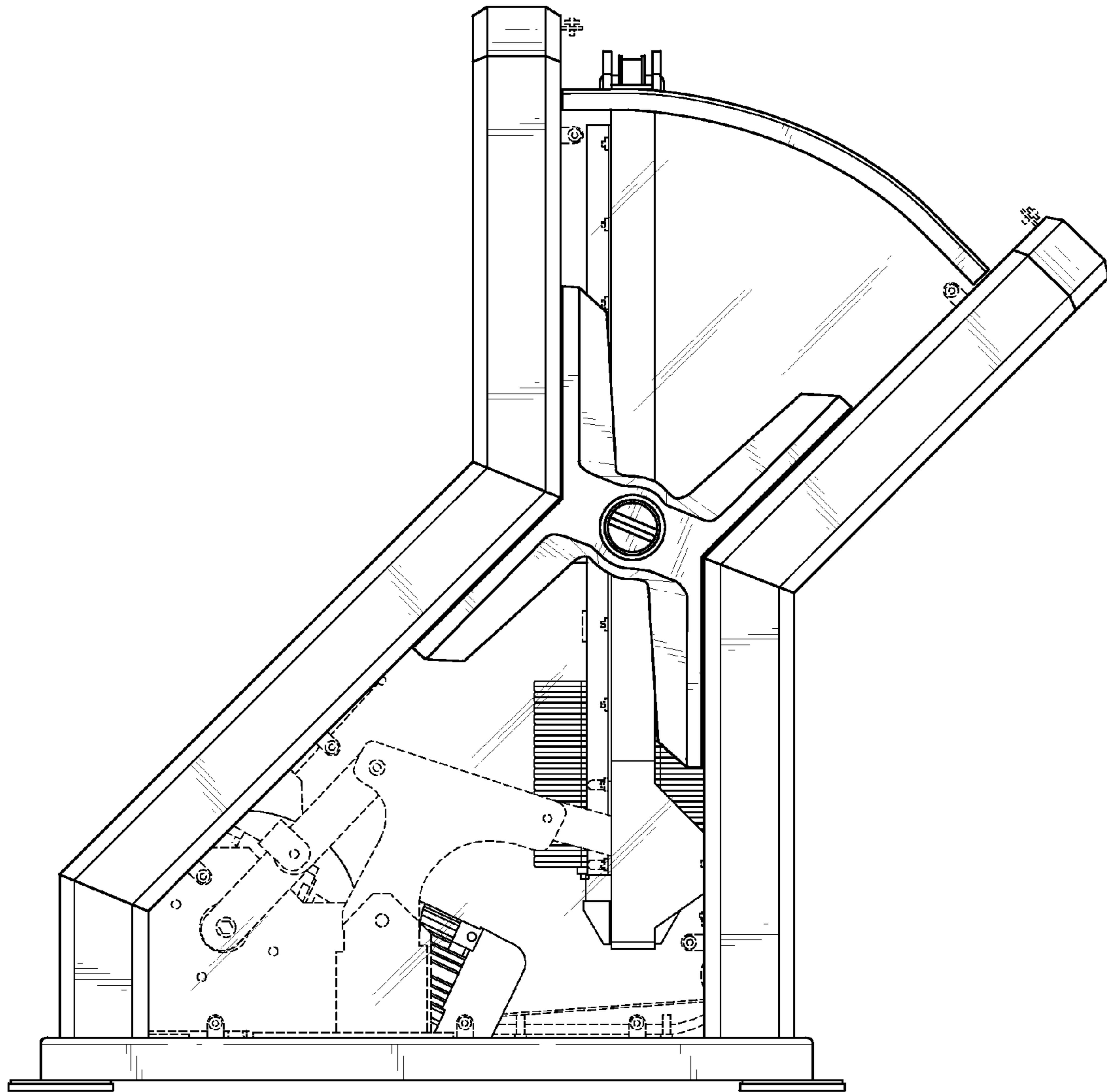


FIG. 4

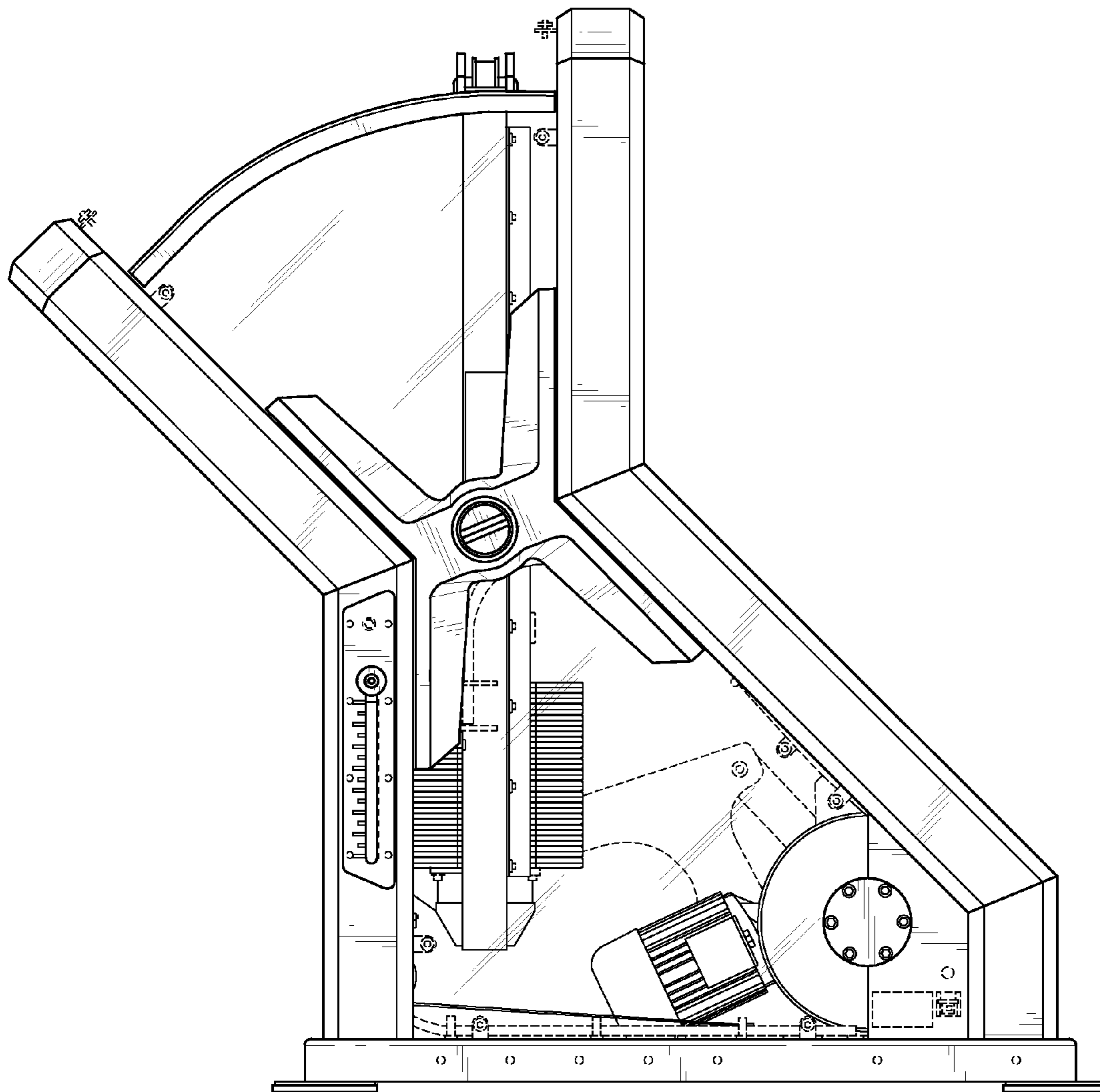


FIG. 5