



US00D641805S

(12) **United States Design Patent**  
**Kichijo et al.**

(10) **Patent No.:** **US D641,805 S**

(45) **Date of Patent:** **\*\* Jul. 19, 2011**

(54) **TOY BLOCK**

(75) Inventors: **Hiroshi Kichijo**, Oyodo (JP); **Yoshiie Kichijo**, Oyodo (JP)

(73) Assignee: **Yoshiritsu Kabushiki Kaisha**, Nara (JP)

(\*\*) Term: **14 Years**

(21) Appl. No.: **29/376,189**

(22) Filed: **Oct. 4, 2010**

(30) **Foreign Application Priority Data**

Jul. 16, 2010 (JP) ..... 2010-017429

(51) **LOC (9) Cl.** ..... **21-01**

(52) **U.S. Cl.** ..... **D21/495**

(58) **Field of Classification Search** ..... D21/484–485,  
D21/488, 490–495, 498, 500–505, 561; D25/113,  
D25/114, 118; 446/69, 89, 92, 102–128;  
434/259, 208, 403; 52/503; 273/153, 156,  
273/160

See application file for complete search history.

(56) **References Cited**

**U.S. PATENT DOCUMENTS**

D174,950 S *	6/1955	Frishberg .....	D21/503
3,648,404 A *	3/1972	Ogsbury et al. ....	446/126
D233,543 S *	11/1974	Christiansen .....	D21/488
4,690,656 A *	9/1987	Friedman et al. ....	446/95
6,325,694 B1 *	12/2001	Clever et al. ....	446/104
D474,513 S *	5/2003	Kichijo .....	D21/503
D546,900 S *	7/2007	Sorensen .....	D21/484

D550,307 S *	9/2007	Glickman .....	D21/484
D563,485 S *	3/2008	Glickman .....	D21/484
D596,243 S *	7/2009	Kichijo et al. ....	D21/495

\* cited by examiner

*Primary Examiner* — Cynthia M Chin

(74) *Attorney, Agent, or Firm* — Wenderoth, Lind & Ponack, LLP.

(57) **CLAIM**

The ornamental design for a toy block, as shown and described.

**DESCRIPTION**

FIG. 1 is a perspective view of a toy block according to the present design;

FIG. 2 is a front view thereof, the rear view being identical thereto;

FIG. 3 a top plan view thereof, the bottom plan view being identical thereto;

FIG. 4 is a right-hand side view thereof;

FIG. 5 is a left-hand side view thereof;

FIG. 6 is a sectional view taken along line 6—6 of FIG. 3;

FIG. 7 is an environmental perspective view thereof, showing the toy block combined with other toy blocks to assemble a toy car; and,

FIG. 8 is yet another environmental perspective view thereof. The broken lines shown are included for the purpose of illustrating unclaimed portions of the article and form no part of the claimed design.

The toy block of the present design is an assembling block which can be combined with other assembling blocks to assemble a toy.

**1 Claim, 3 Drawing Sheets**

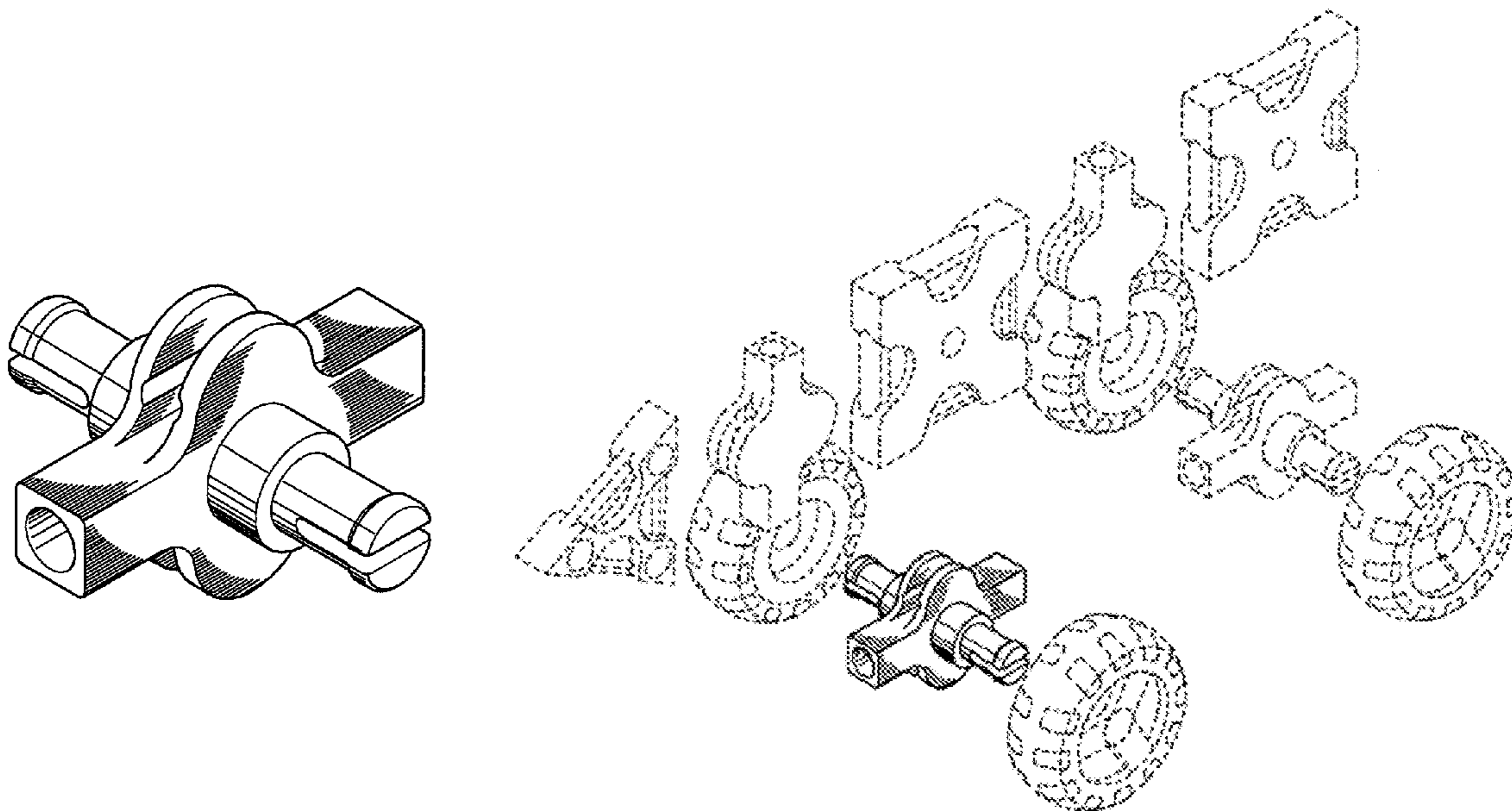


Fig. 1

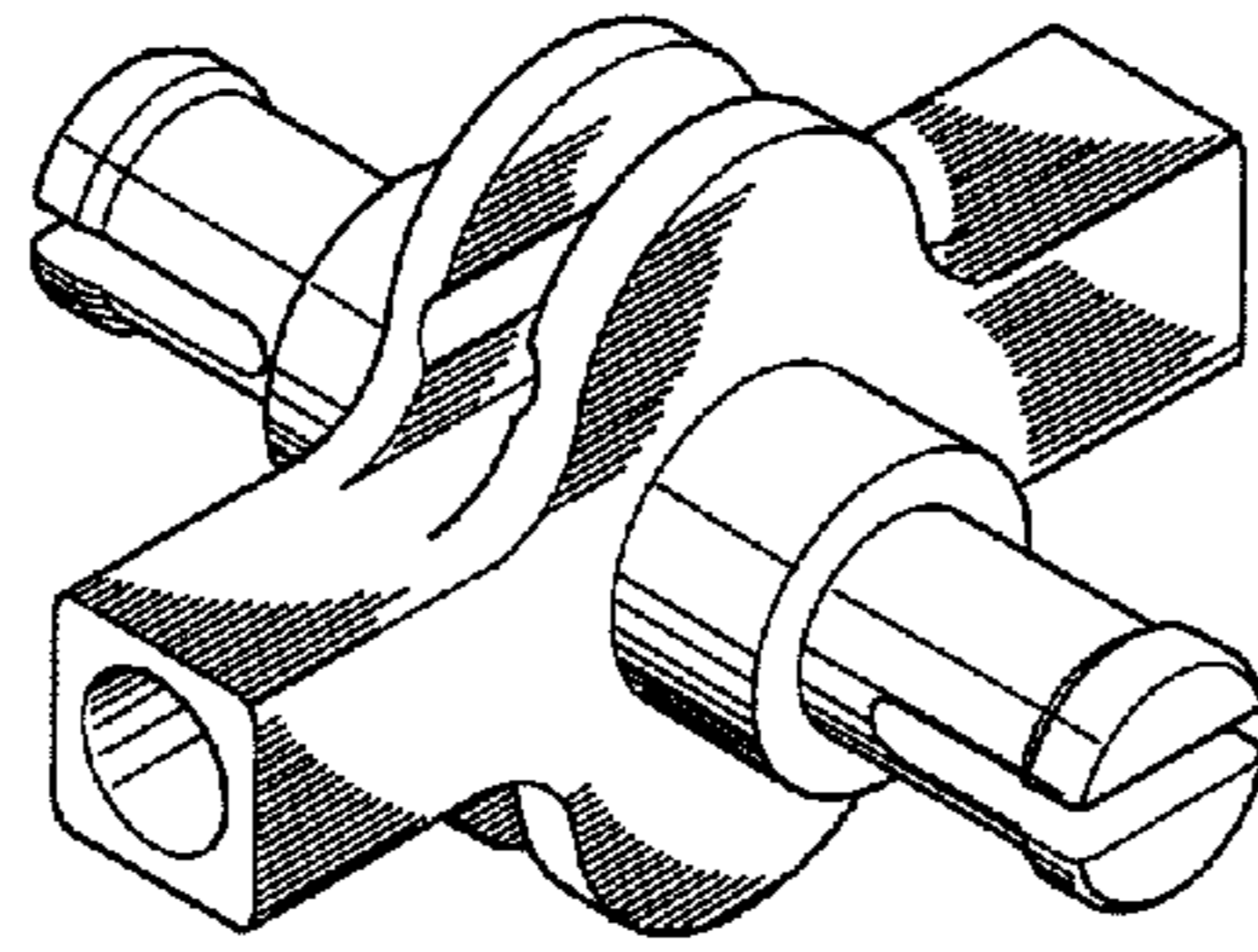


Fig. 2

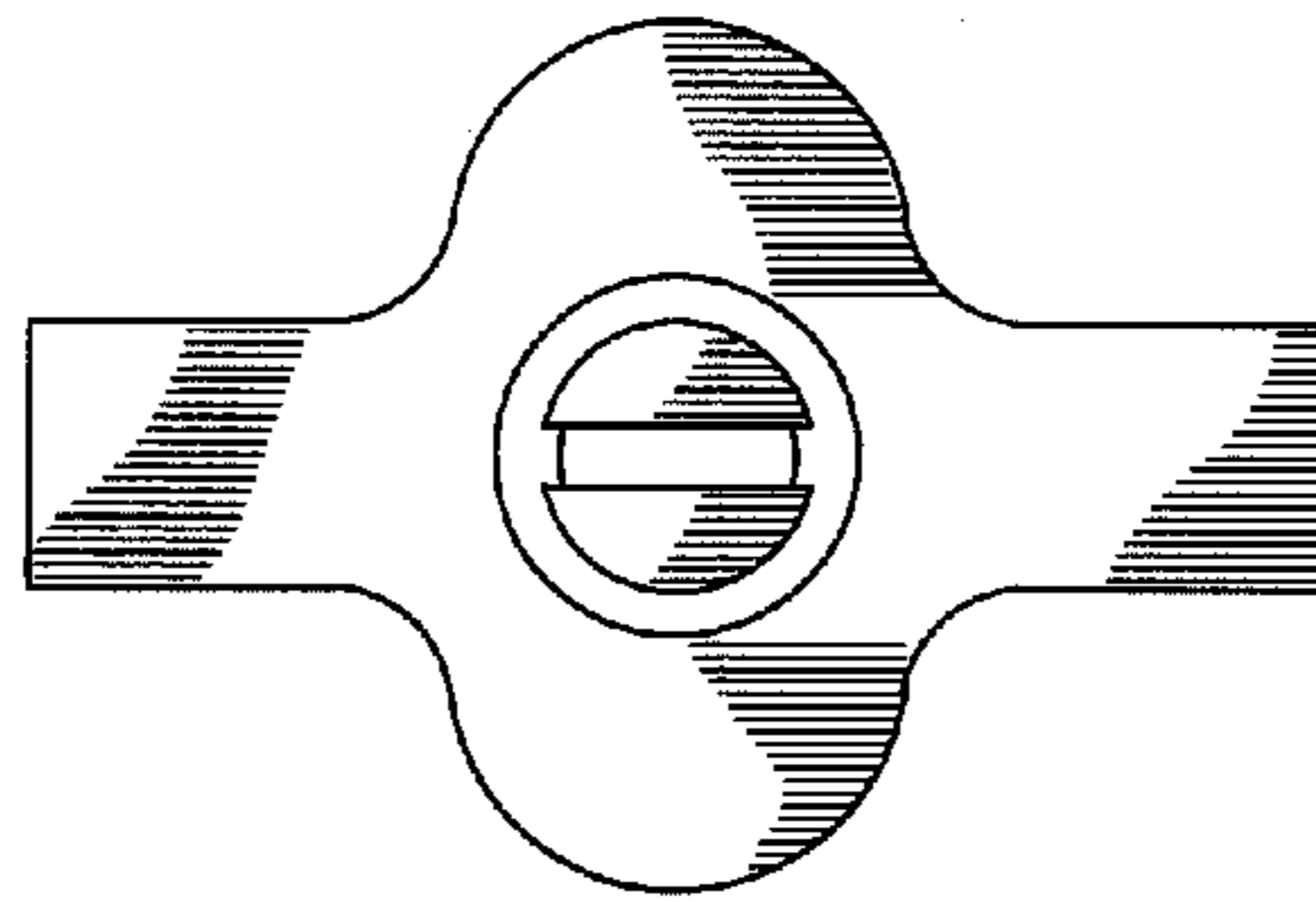


Fig. 3

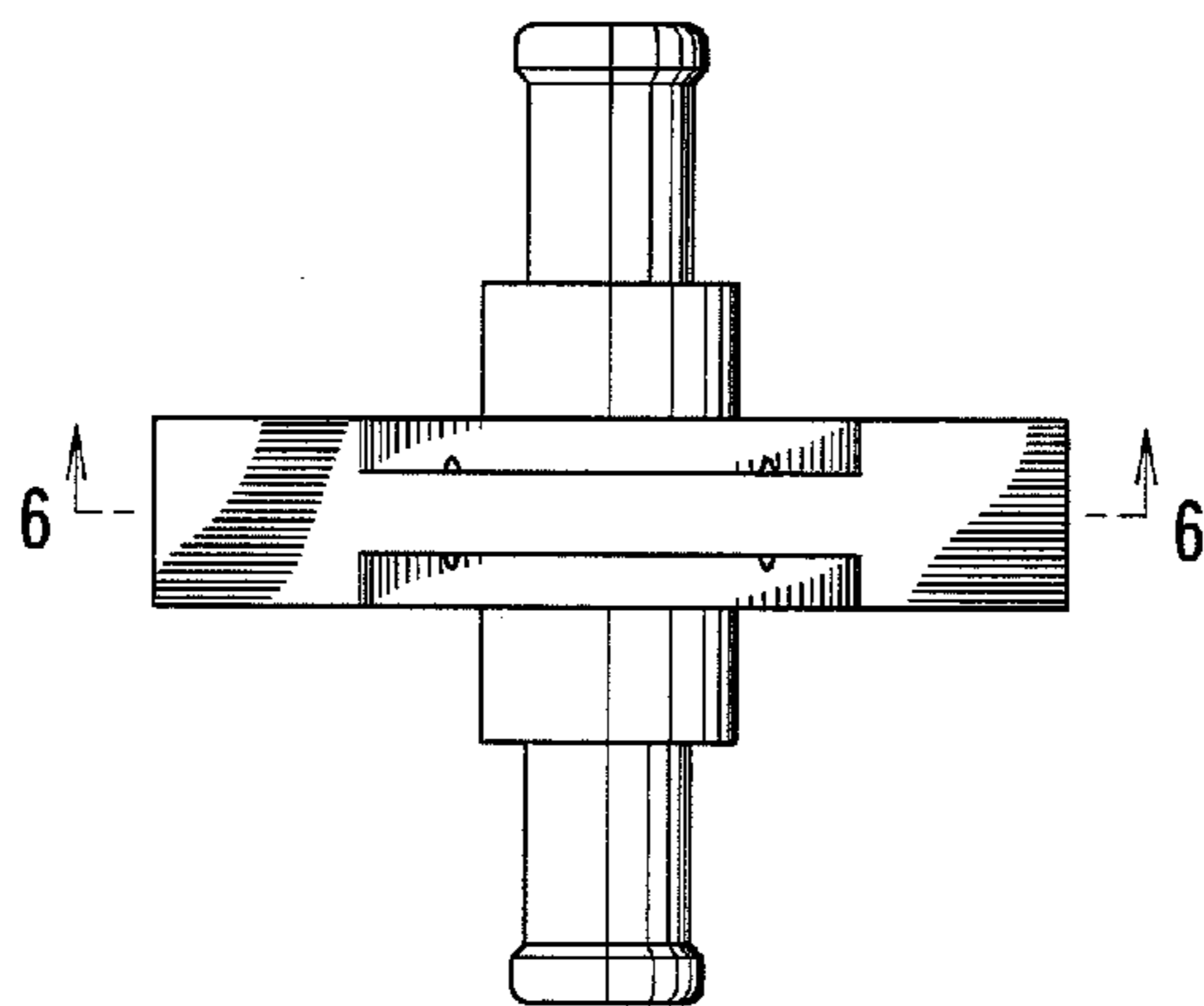


Fig. 4

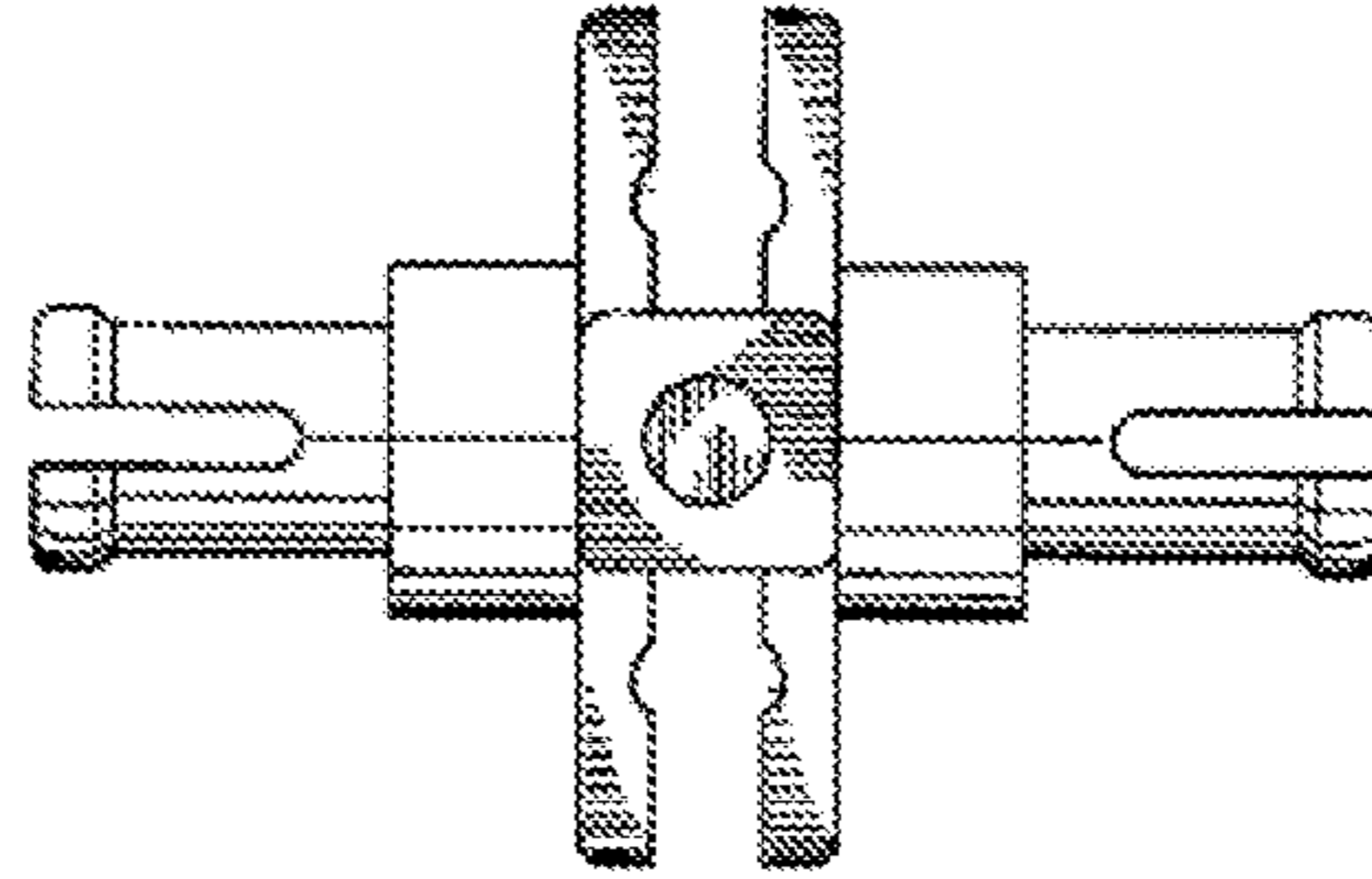


Fig. 5

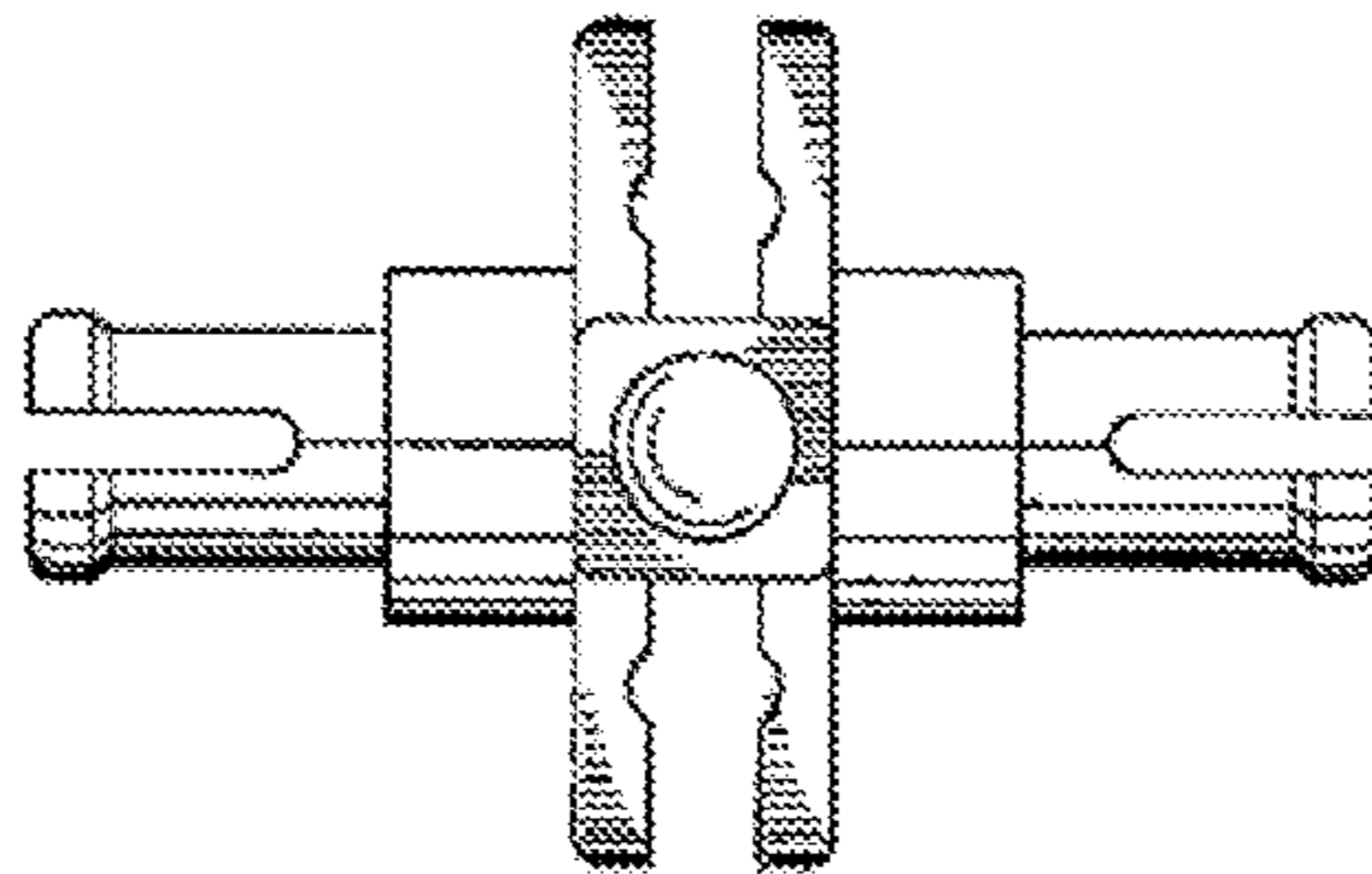


Fig. 6

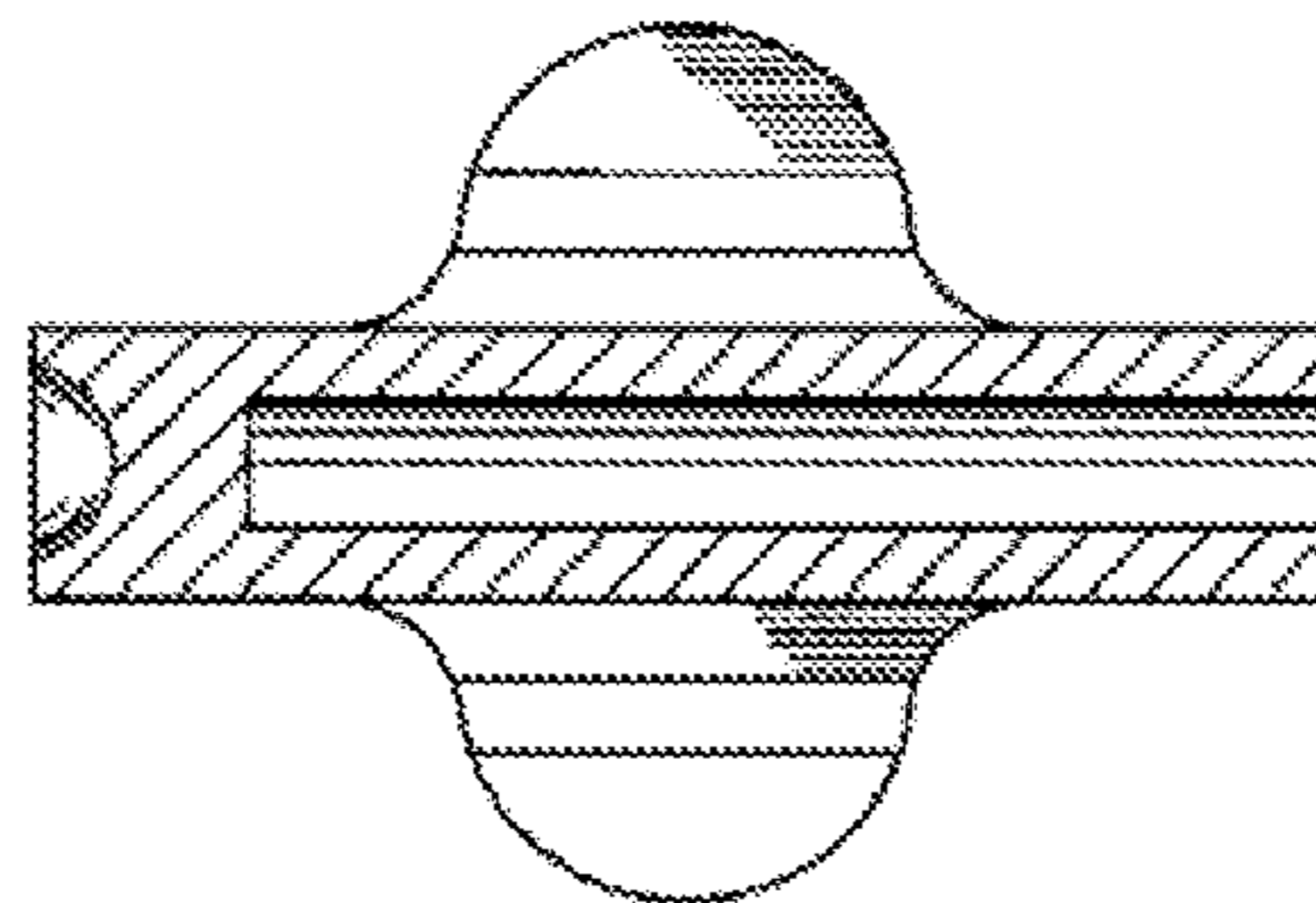


Fig. 7

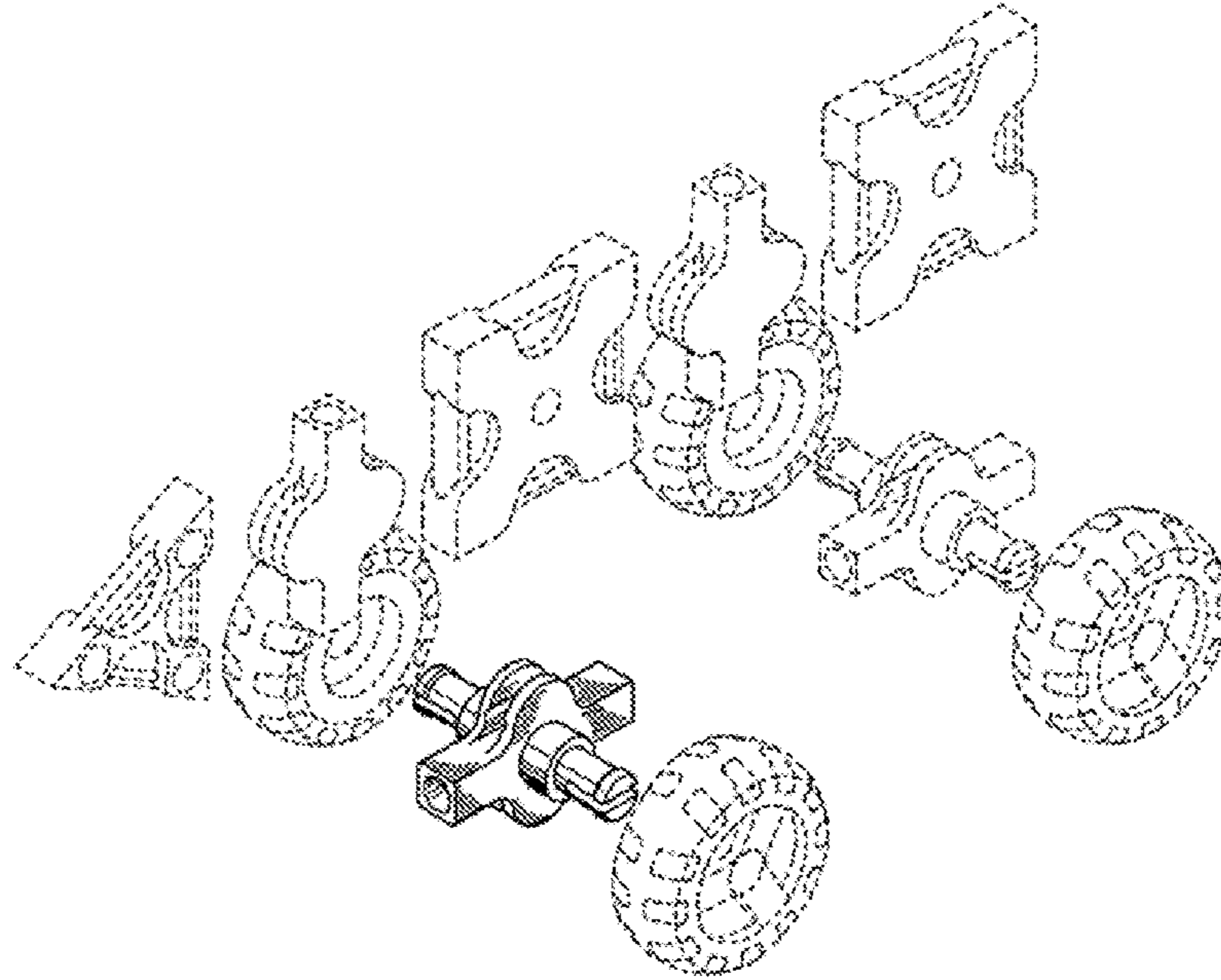


Fig. 8

