



US00D641804S

(12) **United States Design Patent**
Kichijo et al.

(10) **Patent No.:** **US D641,804 S**

(45) **Date of Patent:** **** Jul. 19, 2011**

(54) **TOY BLOCK**

(75) Inventors: **Hiroshi Kichijo**, Oyodo (JP); **Yoshiie Kichijo**, Oyodo (JP)

(73) Assignee: **Yoshiritsu Kabushiki Kaisha**, Nara (JP)

(**) Term: **14 Years**

(21) Appl. No.: **29/376,195**

(22) Filed: **Oct. 4, 2010**

(30) **Foreign Application Priority Data**

Jul. 22, 2010 (JP) 2010-017758

(51) **LOC (9) Cl.** **21-01**

(52) **U.S. Cl.** **D21/491; D21/485; D21/500**

(58) **Field of Classification Search** D21/484,
D21/485, 486, 489-495, 499, 500-505; 446/69,
446/85, 95, 102-128; 434/208, 259, 403;
273/153, 156, 160; D25/113, 114, 115, 118;
D8/349, 354, 382

See application file for complete search history.

(56) **References Cited**

U.S. PATENT DOCUMENTS

D219,230 S *	11/1970	Reijnhard	D21/491
D249,976 S *	10/1978	Gronert	D21/491
D296,344 S *	6/1988	Olsen	D21/491
D317,022 S *	5/1991	Muller	D21/491
D353,868 S *	12/1994	Houry et al.	D21/489
D379,523 S *	5/1997	Azar	D25/118

D385,926 S *	11/1997	Nielsen	D21/485
D463,041 S *	9/2002	Dice et al.	D25/118
D624,605 S *	9/2010	Kichijo et al.	D21/501

* cited by examiner

Primary Examiner — Cynthia M Chin

(74) *Attorney, Agent, or Firm* — Wenderoth, Lind & Ponack, LLP.

(57) **CLAIM**

The ornamental design for a toy block, as shown and described.

DESCRIPTION

FIG. 1 is a perspective view of a toy block of the present design;

FIG. 2 is a front view thereof, the rear view being identical thereto;

FIG. 3 a top plan view thereof;

FIG. 4 is a right-hand side view thereof, the left-hand side view being identical thereto;

FIG. 5 is a bottom view thereof;

FIG. 6 is a sectional view taken along line 6—6 of FIG. 3;

FIG. 7 is a sectional view taken along line 7—7 of FIG. 3; and

FIG. 8 is another perspective view thereof, showing the toy block combined with other blocks to assemble a toy;

FIG. 9 is a cross-sectional view taken along lines 9—9 of FIG. 8; and,

FIG. 10 is yet another perspective view thereof.

The broken lines shown are included for the purpose of illustrating unclaimed portions of the article and form no part of the claimed design.

1 Claim, 4 Drawing Sheets

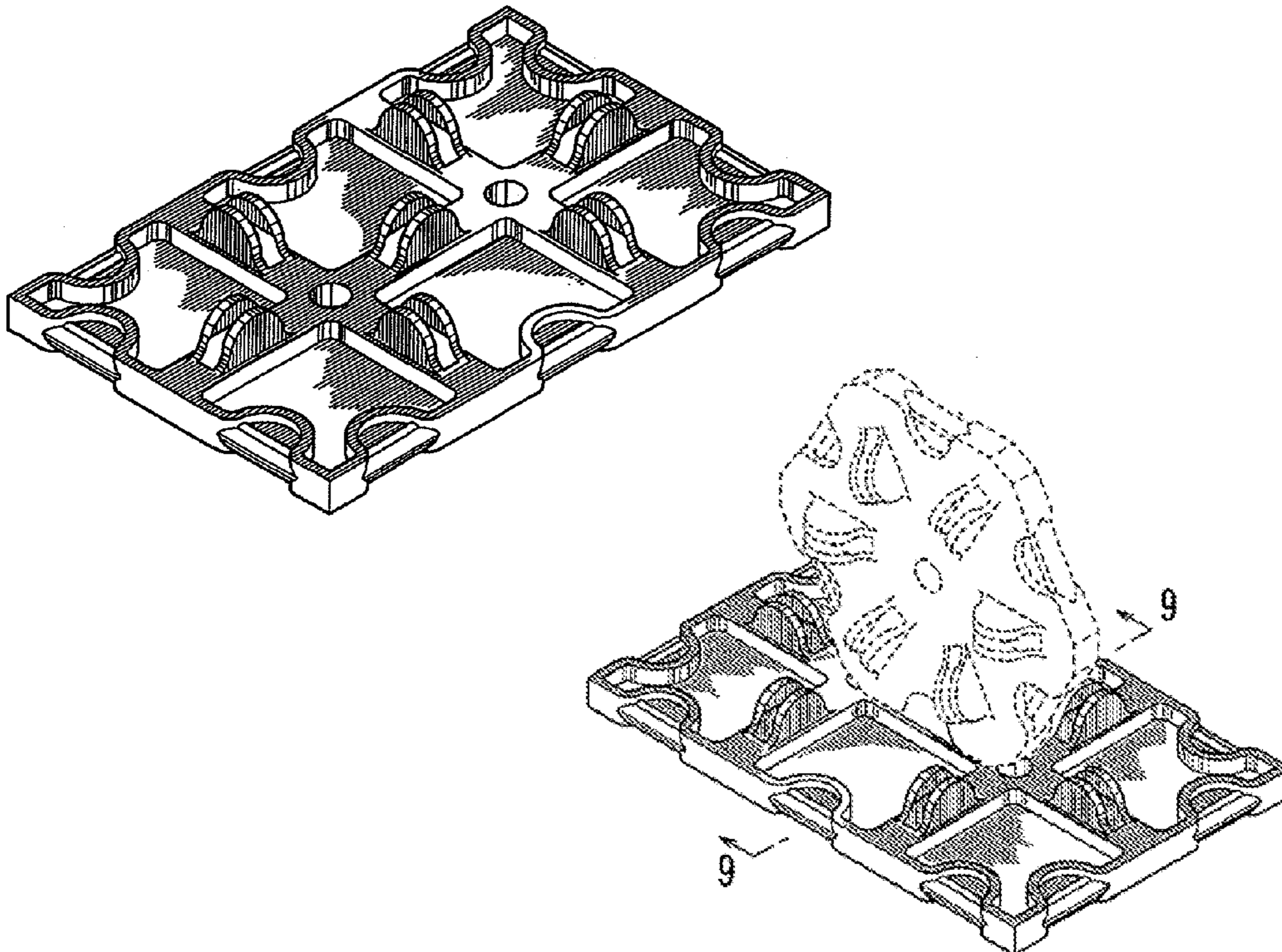


Fig. 1

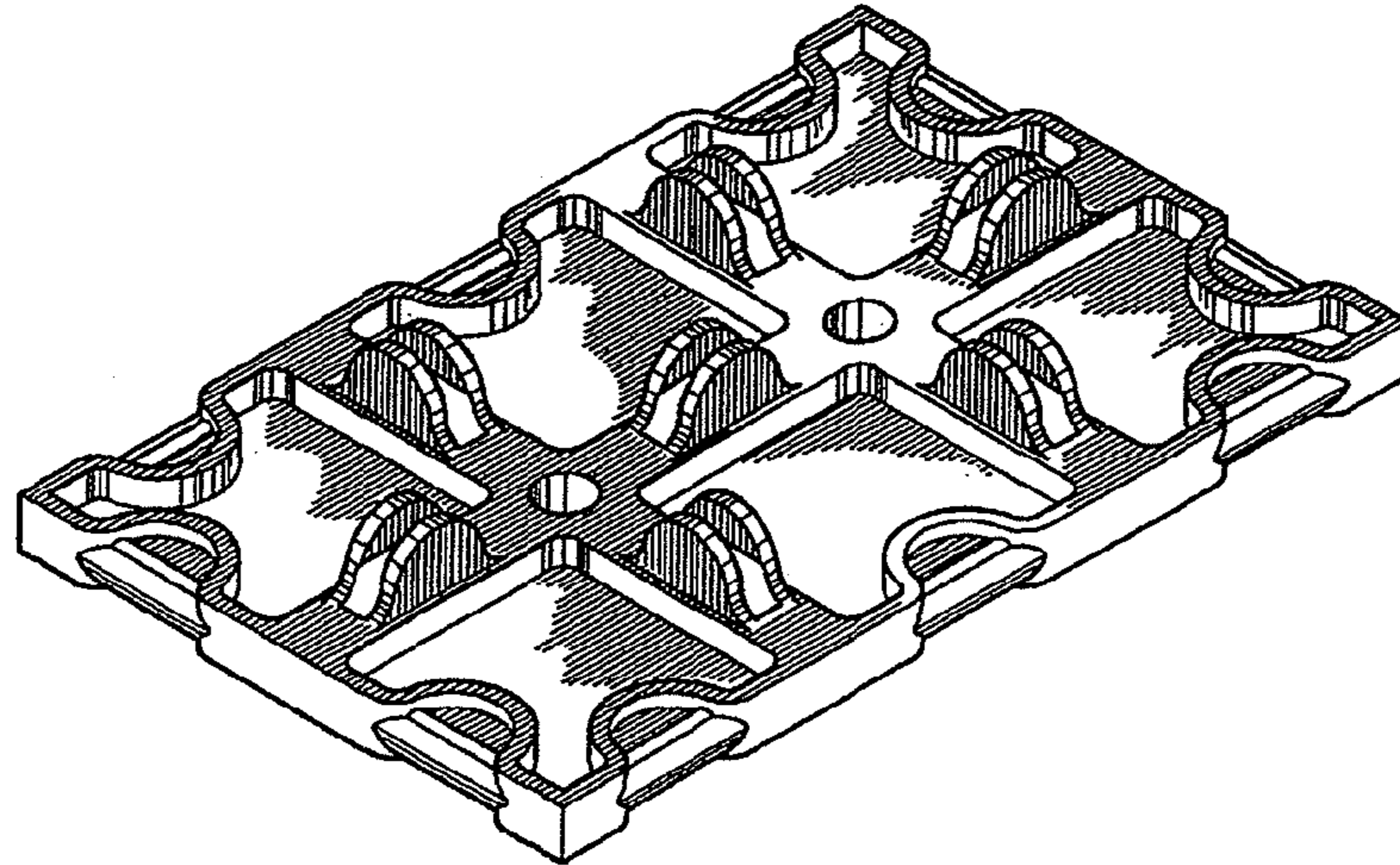


Fig. 2



Fig. 3

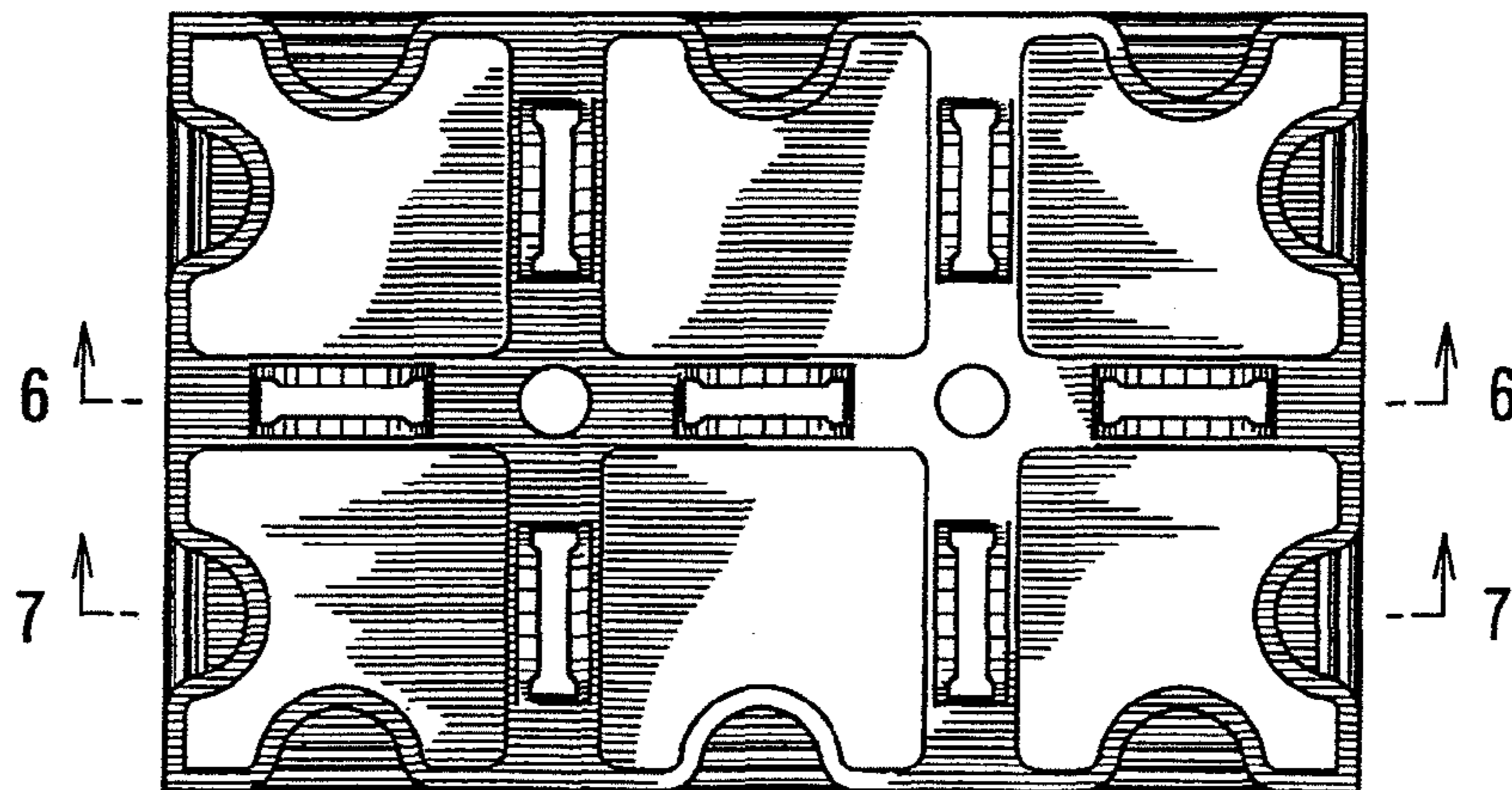


Fig. 4

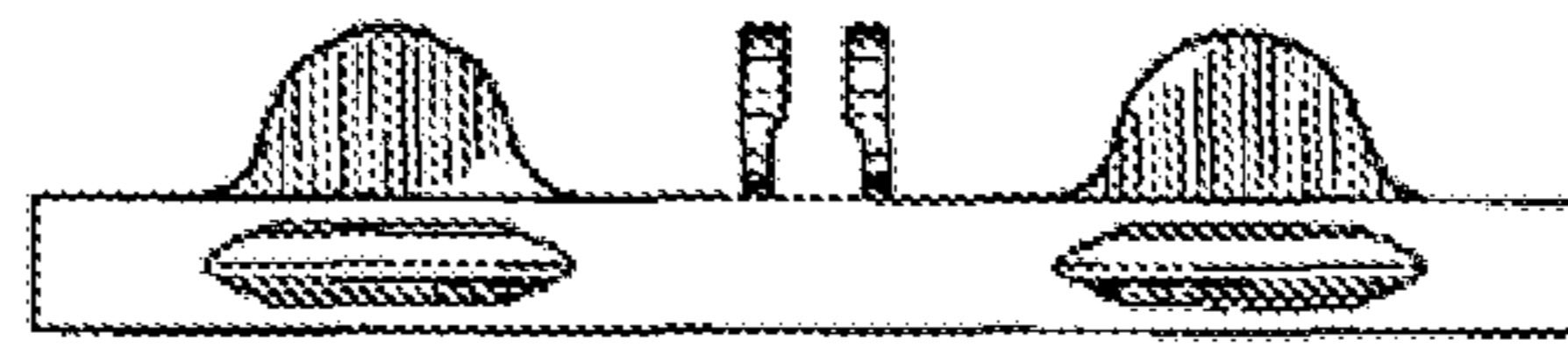


Fig. 5

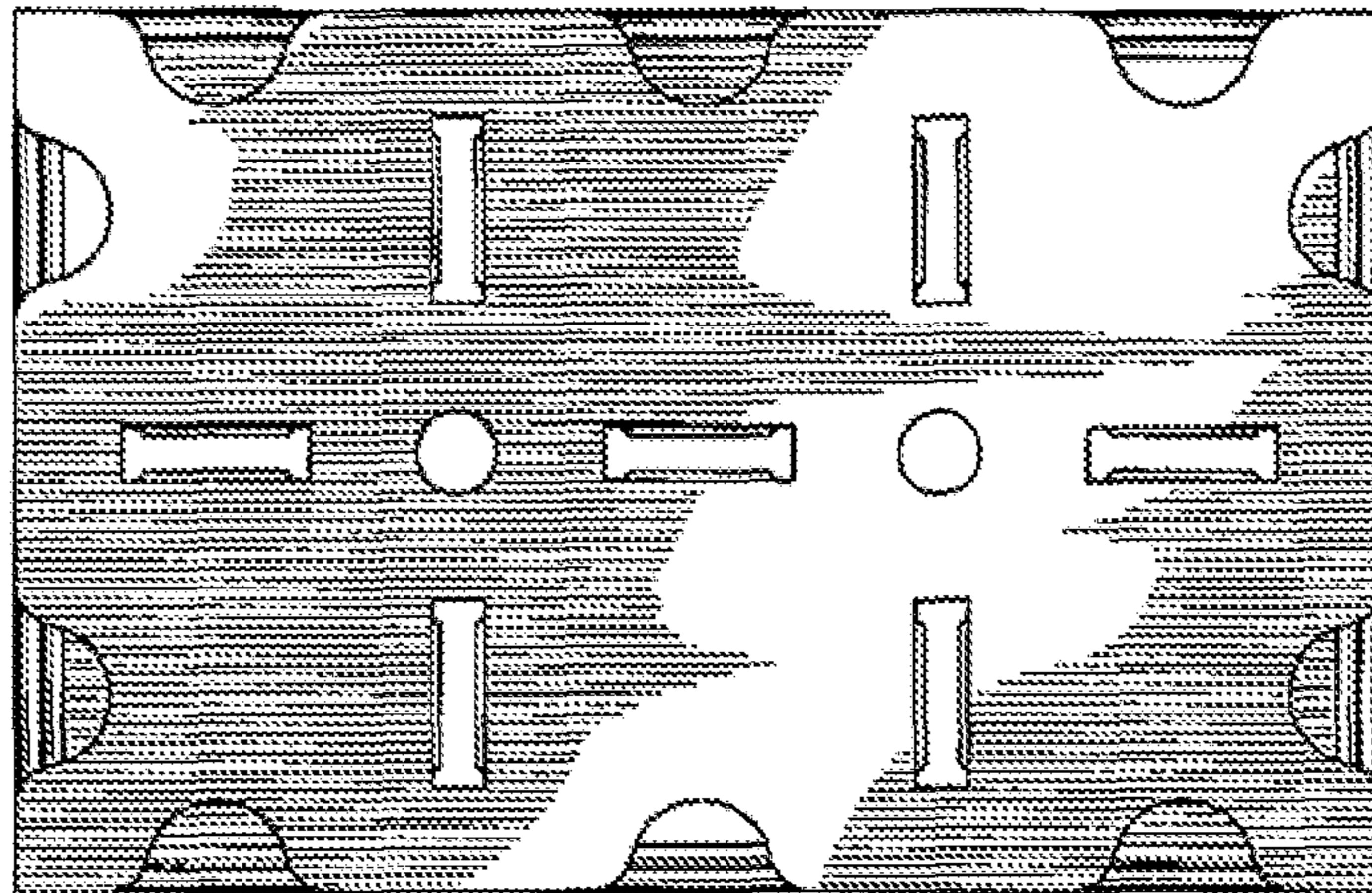


Fig. 6



Fig. 7

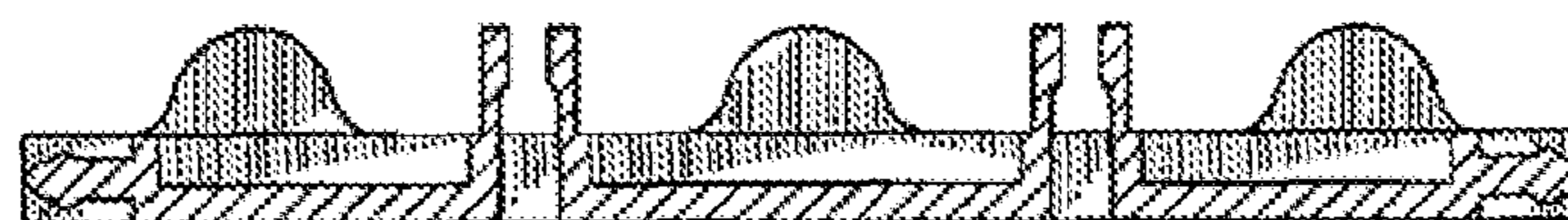


Fig. 8

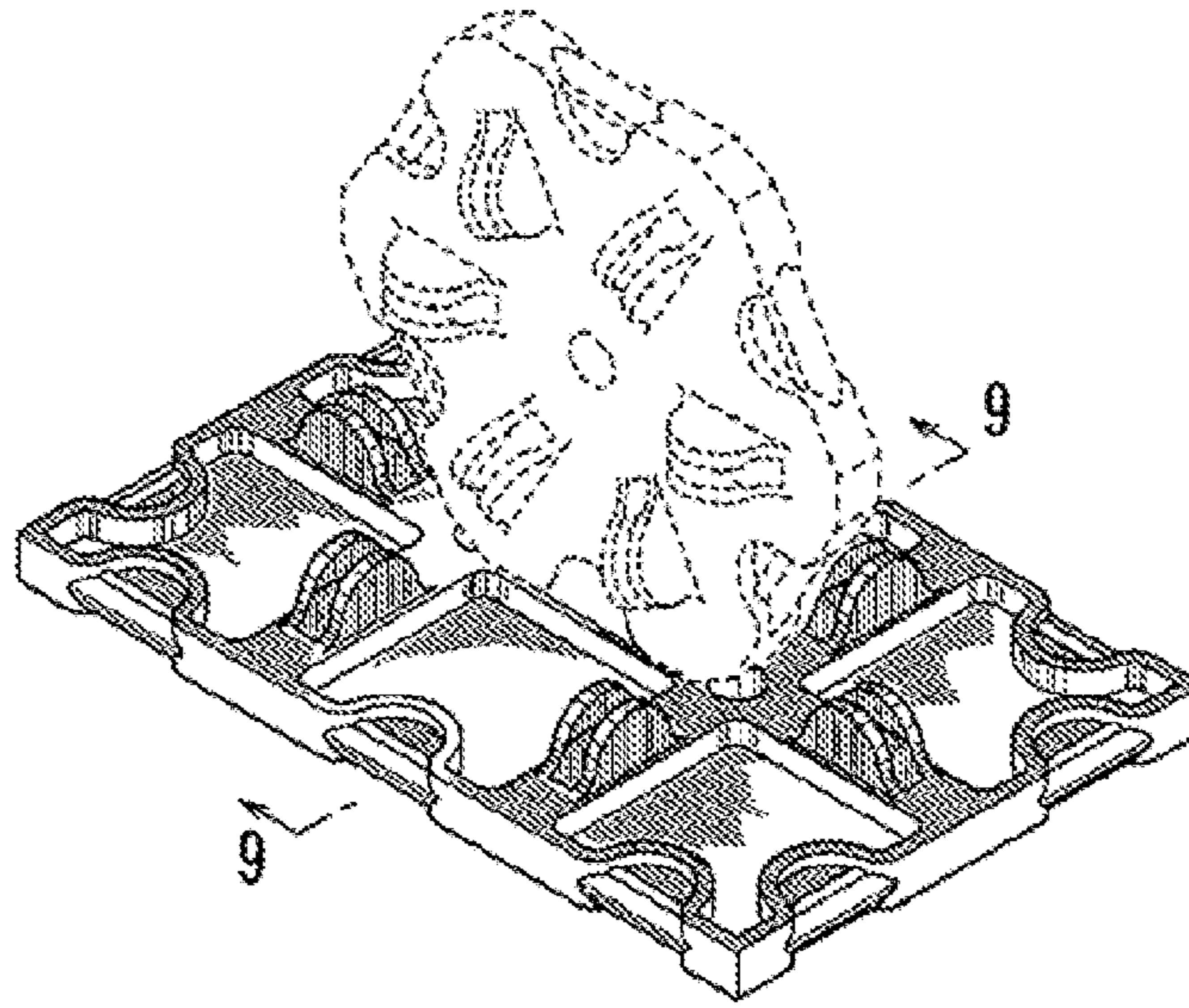


Fig. 9

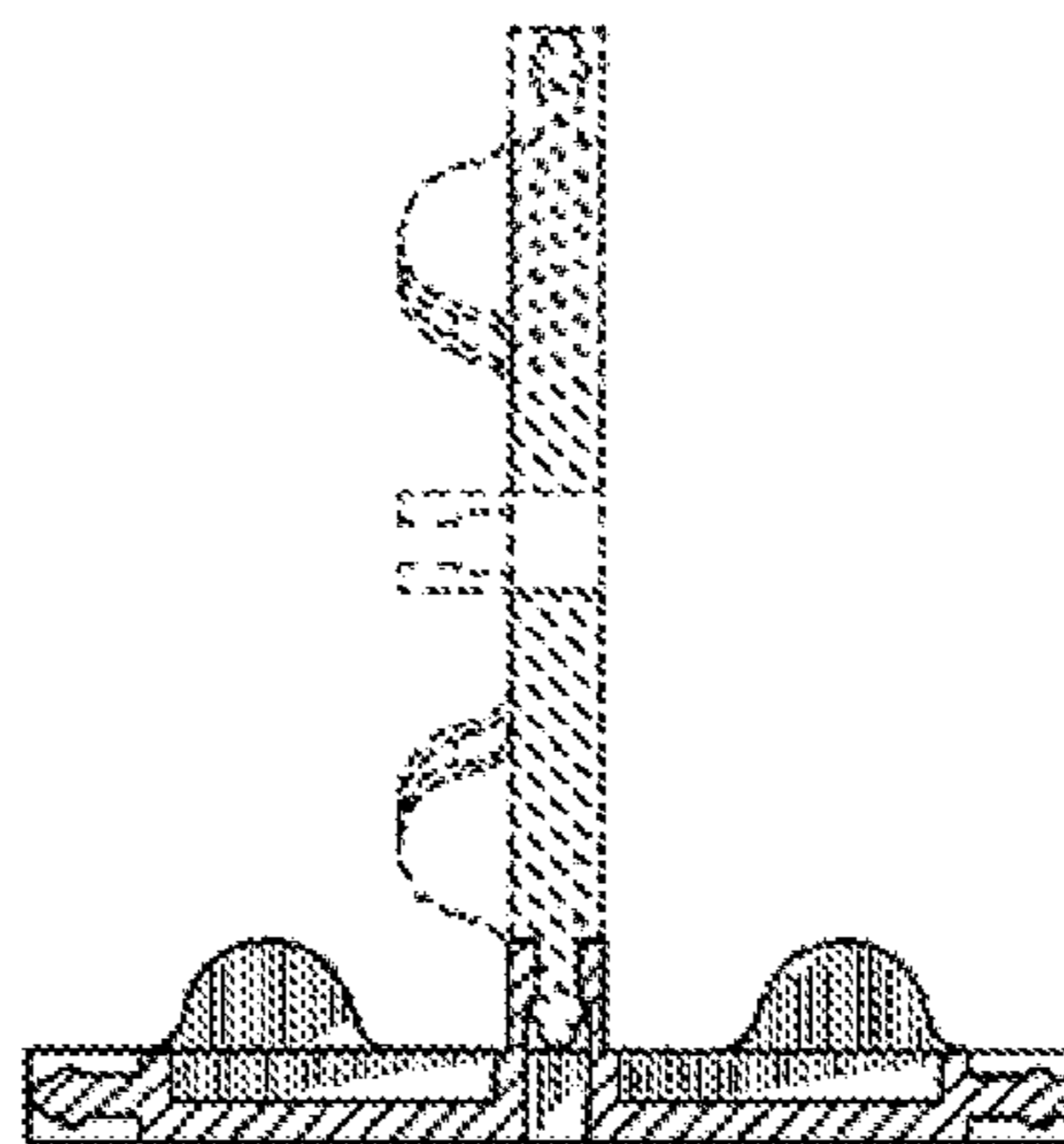


Fig. 10

