



US00D641803S

(12) **United States Design Patent**
Kichijo et al.

(10) **Patent No.:** **US D641,803 S**

(45) **Date of Patent:** **** Jul. 19, 2011**

(54) **TOY BLOCK**

(75) Inventors: **Hiroshi Kichijo**, Oyodo (JP); **Yoshiie Kichijo**, Oyodo (JP)

(73) Assignee: **Yoshiritsu Kabushiki Kaisha**, Nara (JP)

(**) Term: **14 Years**

(21) Appl. No.: **29/376,196**

(22) Filed: **Oct. 4, 2010**

(30) **Foreign Application Priority Data**

Jul. 22, 2010 (JP) 2010-017755

(51) **LOC (9) Cl.** **21-01**

(52) **U.S. Cl.** **D21/489; D21/488**

(58) **Field of Classification Search** D21/484,
D21/485, 486, 487, 489-495, 498, 499, 500-505;
446/69, 85, 95, 102-128; 434/208, 259,
434/403; 273/153, 156, 160; D25/113, 114,
D25/115, 118

See application file for complete search history.

(56) **References Cited**

U.S. PATENT DOCUMENTS

D285,463	S *	9/1986	Davis	D21/502
4,789,370	A *	12/1988	Ellefson	446/113
D360,659	S *	7/1995	Knudsen	D21/489
D373,152	S *	8/1996	Thomasen	D21/488
D437,423	S *	2/2001	Lin	D25/114
6,422,909	B2 *	7/2002	Clever et al.	446/108
6,843,700	B2 *	1/2005	Glickman	446/127
6,899,588	B1 *	5/2005	Clever et al.	446/120
D588,208	S *	3/2009	Sinisi et al.	D21/502

D597,149	S *	7/2009	Sinisi et al.	D21/484
D605,236	S *	12/2009	Sinisi et al.	D21/502
D623,241	S *	9/2010	Ruble, IV	D21/488
2005/0130553	A1 *	6/2005	Maniquis et al.	446/124

* cited by examiner

Primary Examiner — Cynthia M Chin

(74) *Attorney, Agent, or Firm* — Wenderoth, Lind & Ponack, LLP.

(57) **CLAIM**

The ornamental design for a toy block, as shown and described.

DESCRIPTION

FIG. 1 is a perspective view of a toy block according to the present design, as viewed from the top side;

FIG. 2 is a perspective view of the toy block, as viewed from the bottom side;

FIG. 3 is a front view thereof;

FIG. 4 is a top plan view of thereof;

FIG. 5 is a back side view thereof;

FIG. 6 is a right-hand side view thereof, the left-hand side view being a mirror image thereto;

FIG. 7 is a bottom view thereof;

FIG. 8 is a sectional view taken along line 8—8 of FIG. 4;

FIG. 9 is a sectional view taken along line 9—9 of FIG. 4; and

FIG. 10 is another perspective view thereof, showing the toy block combined with other blocks to assemble a toy;

FIG. 11 is the cross-sectional view of FIG. 8, showing the toy block combined with other blocks to assemble a toy; and,

FIG. 12 is yet another perspective view thereof.

The broken lines shown are included for the purpose of illustrating unclaimed portions of the article and form no part of the claimed design.

1 Claim, 5 Drawing Sheets

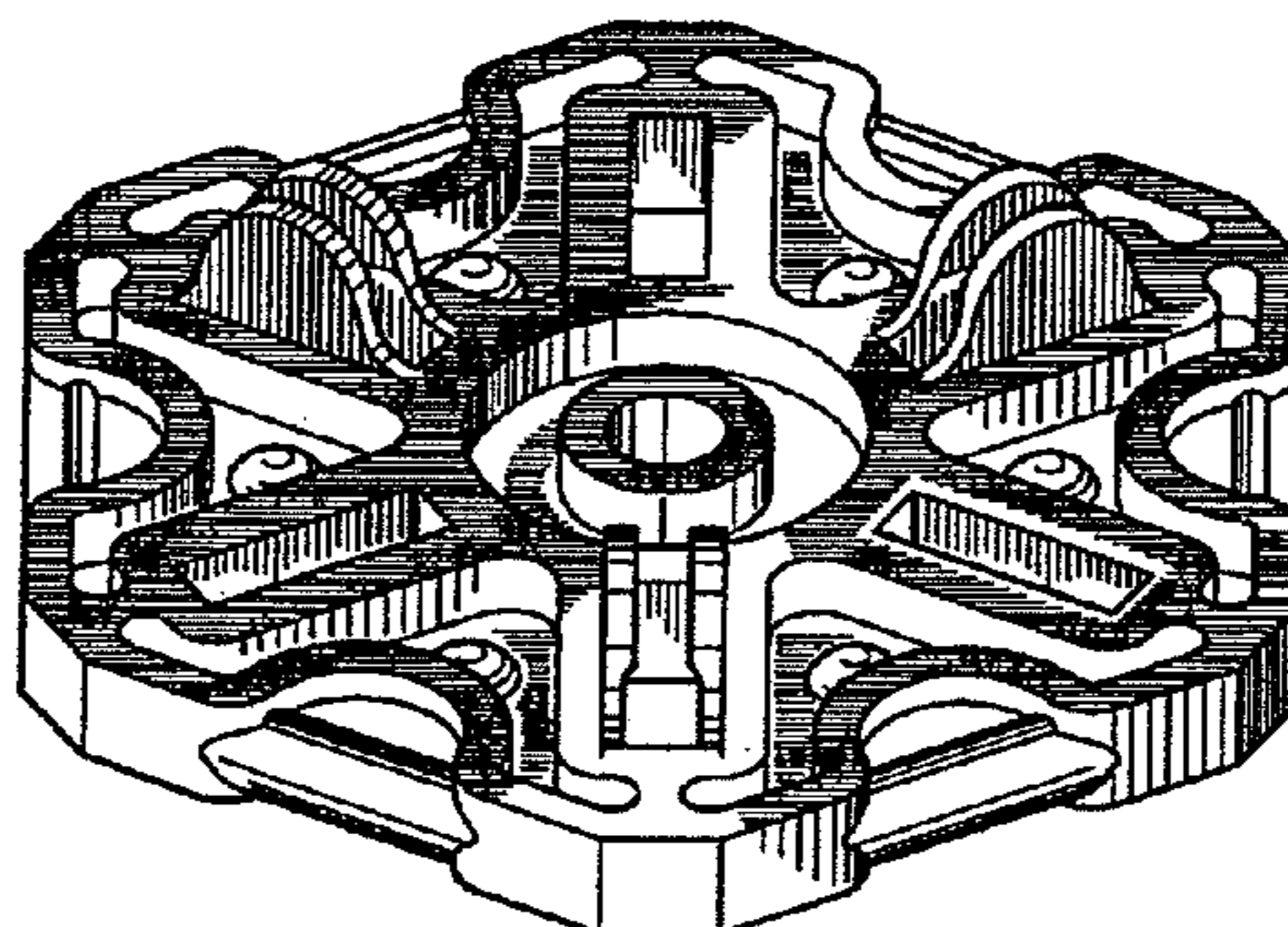
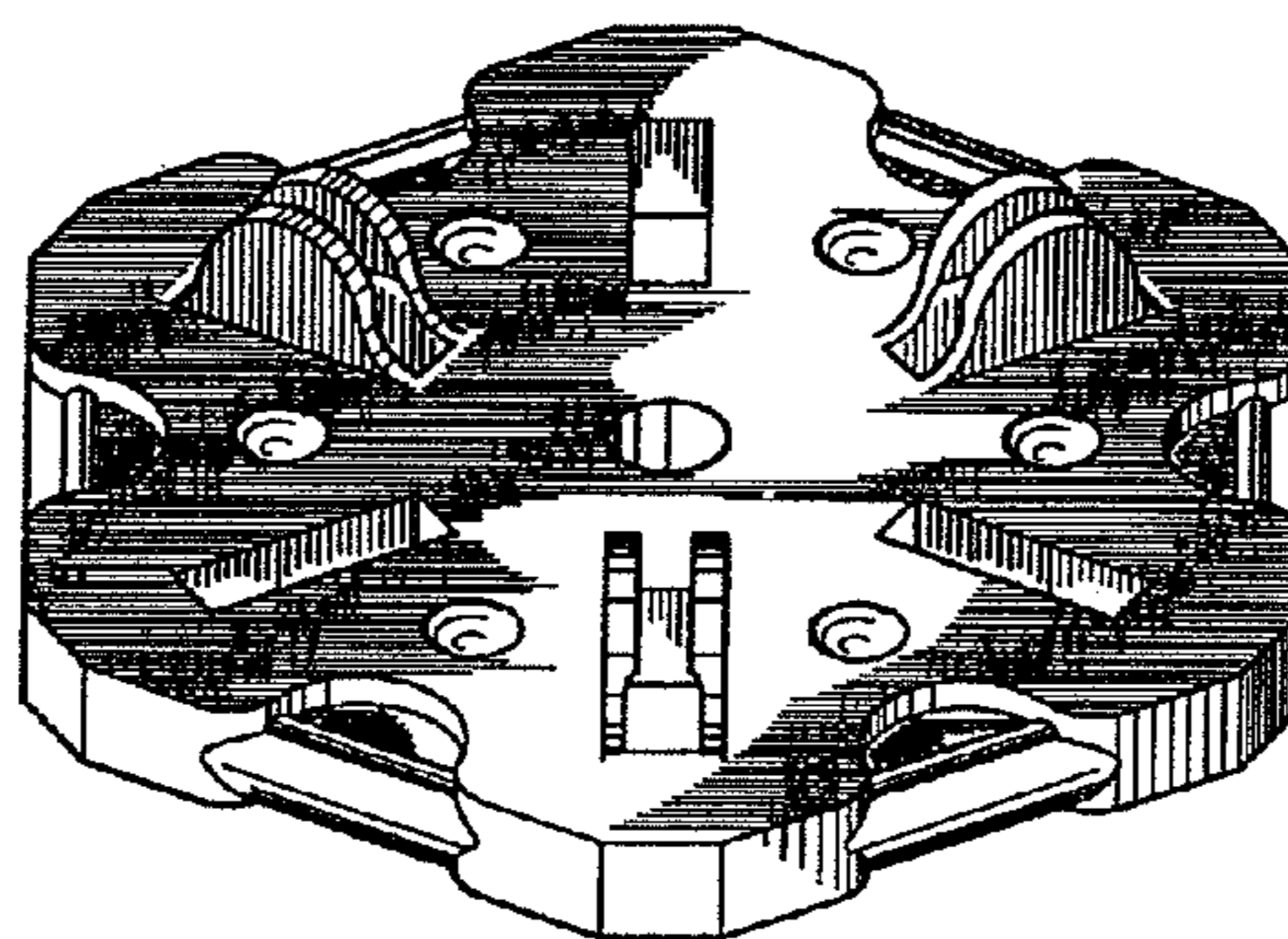


Fig. 1

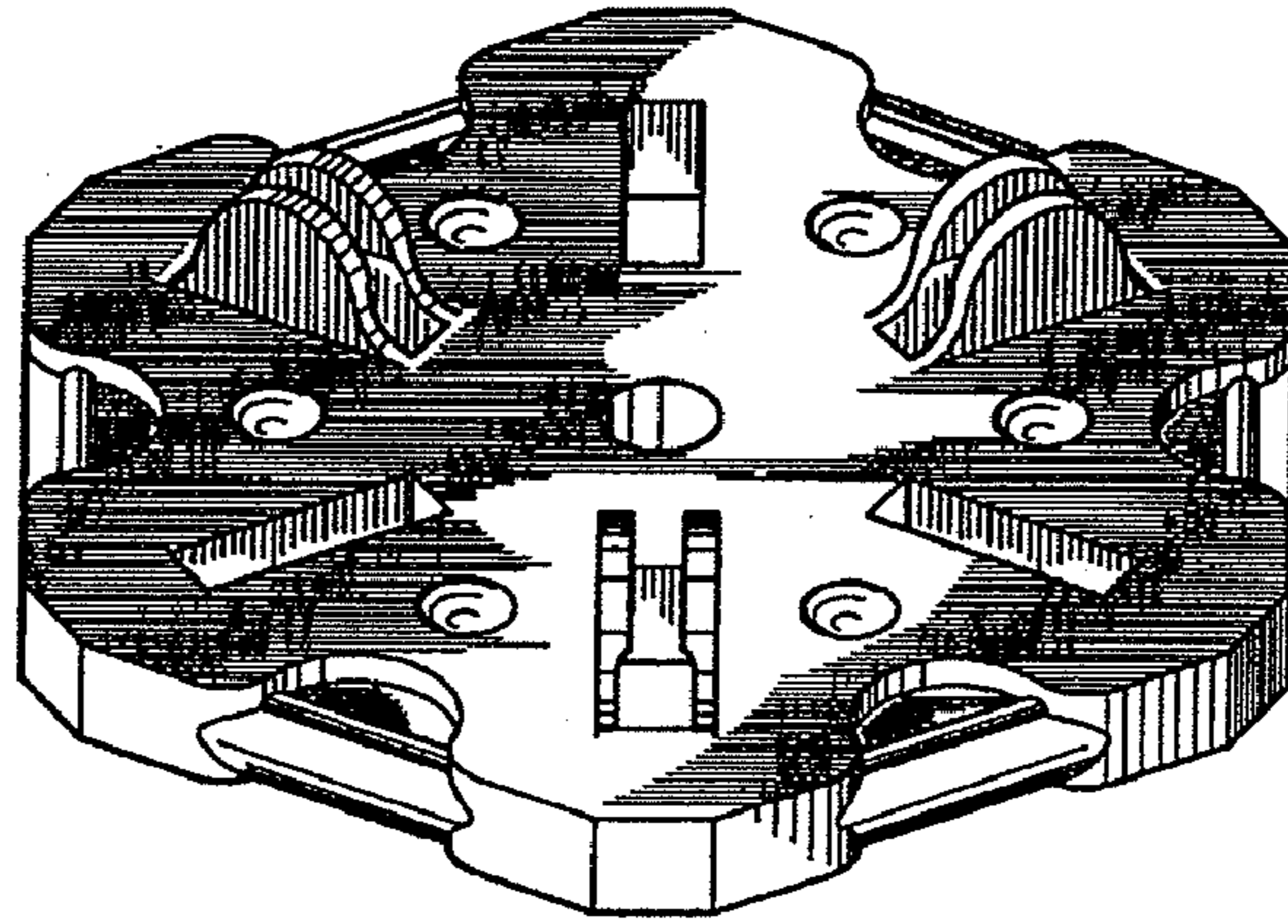


Fig. 2

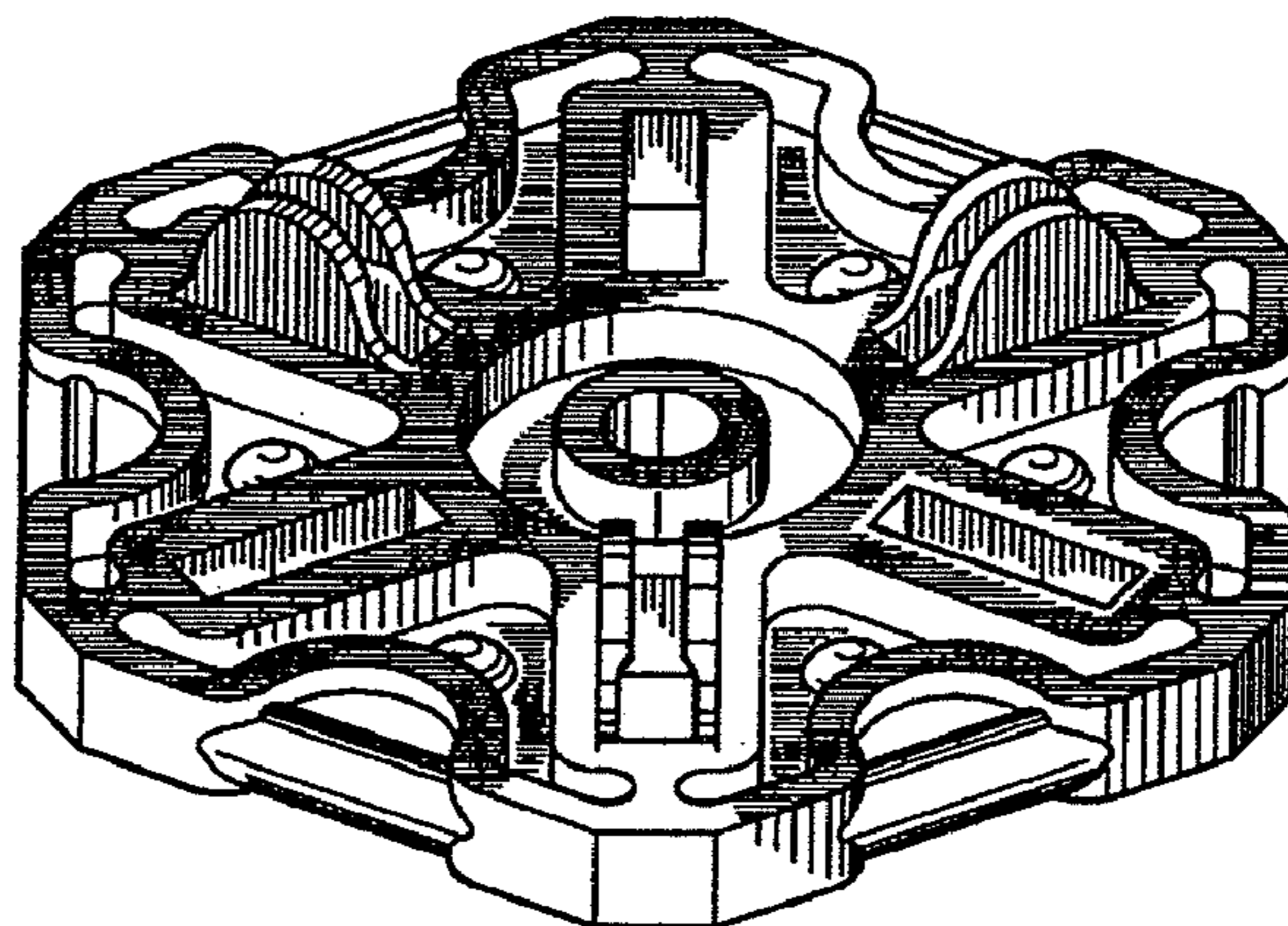


Fig. 3

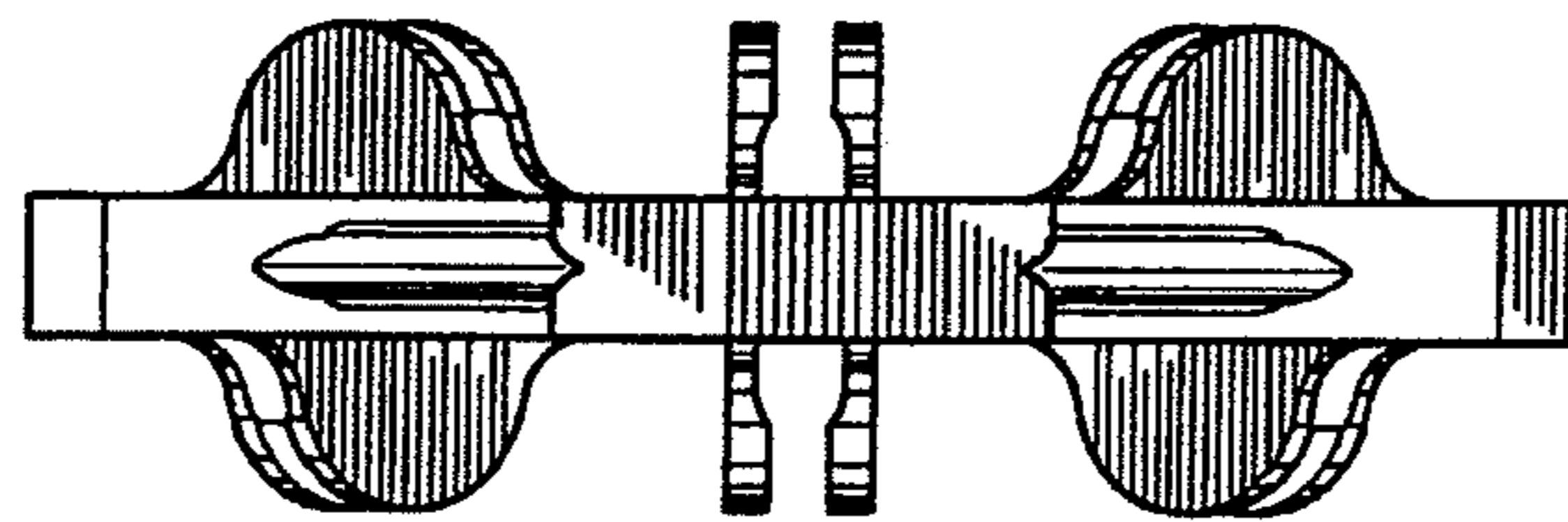


Fig. 4

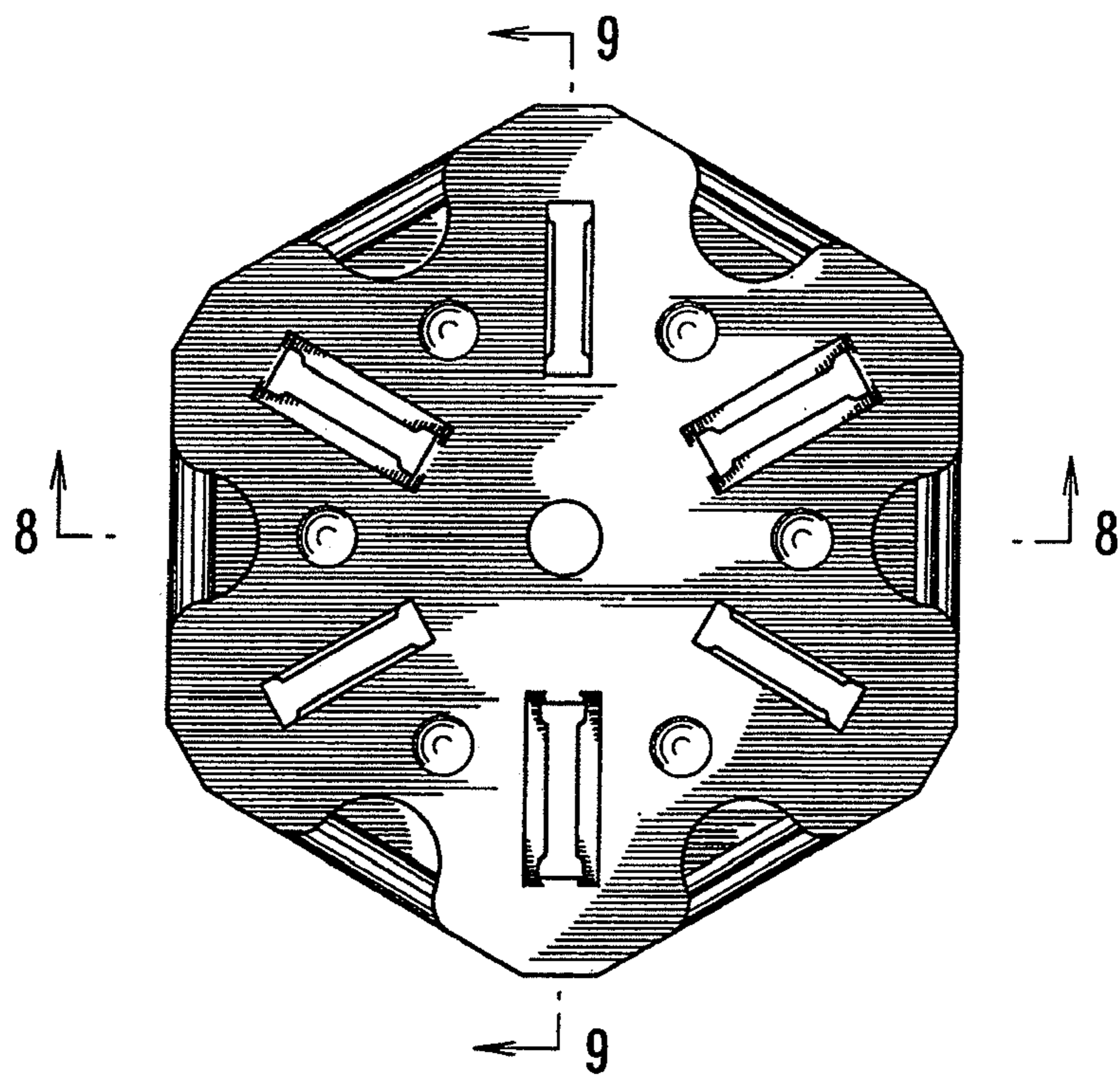


Fig. 5

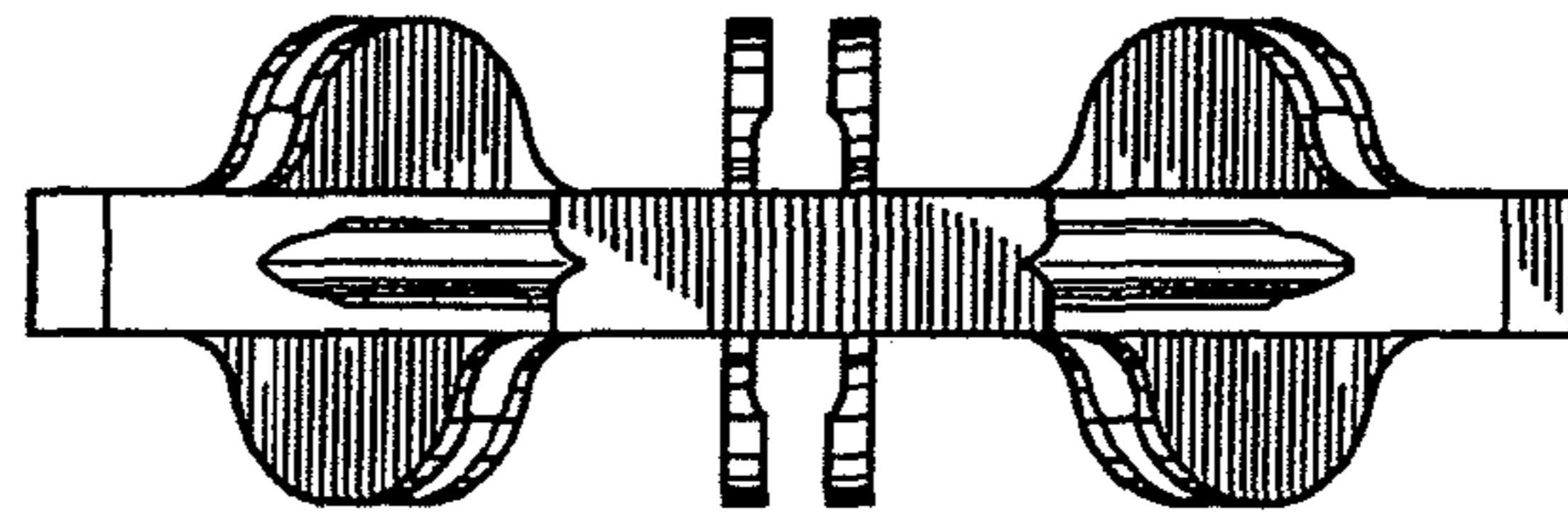


Fig. 6

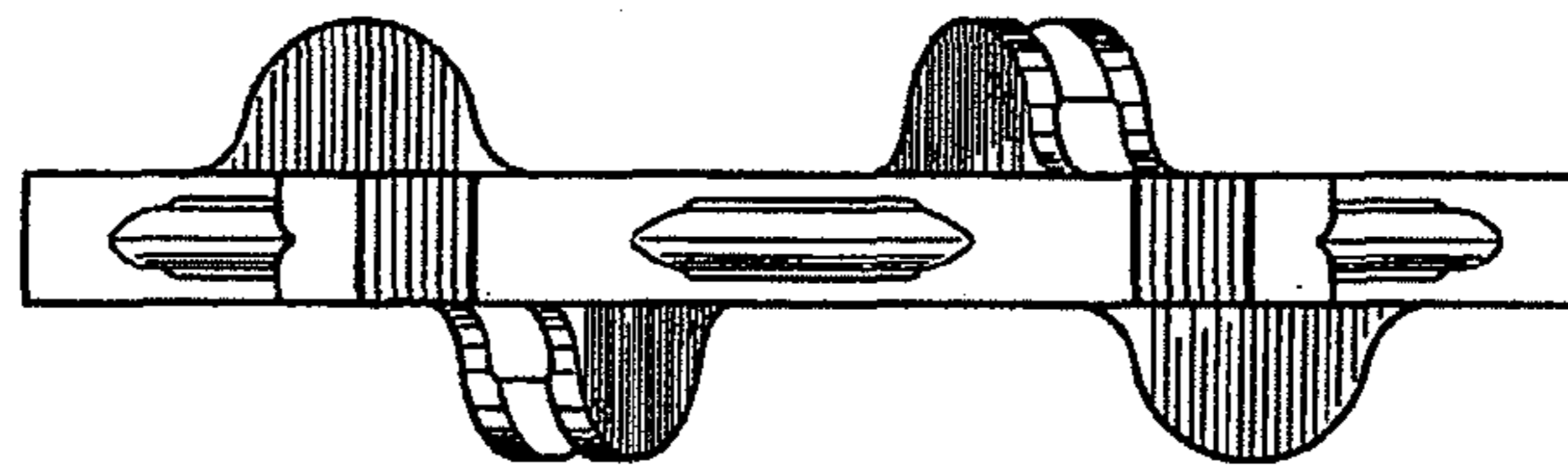


Fig. 7

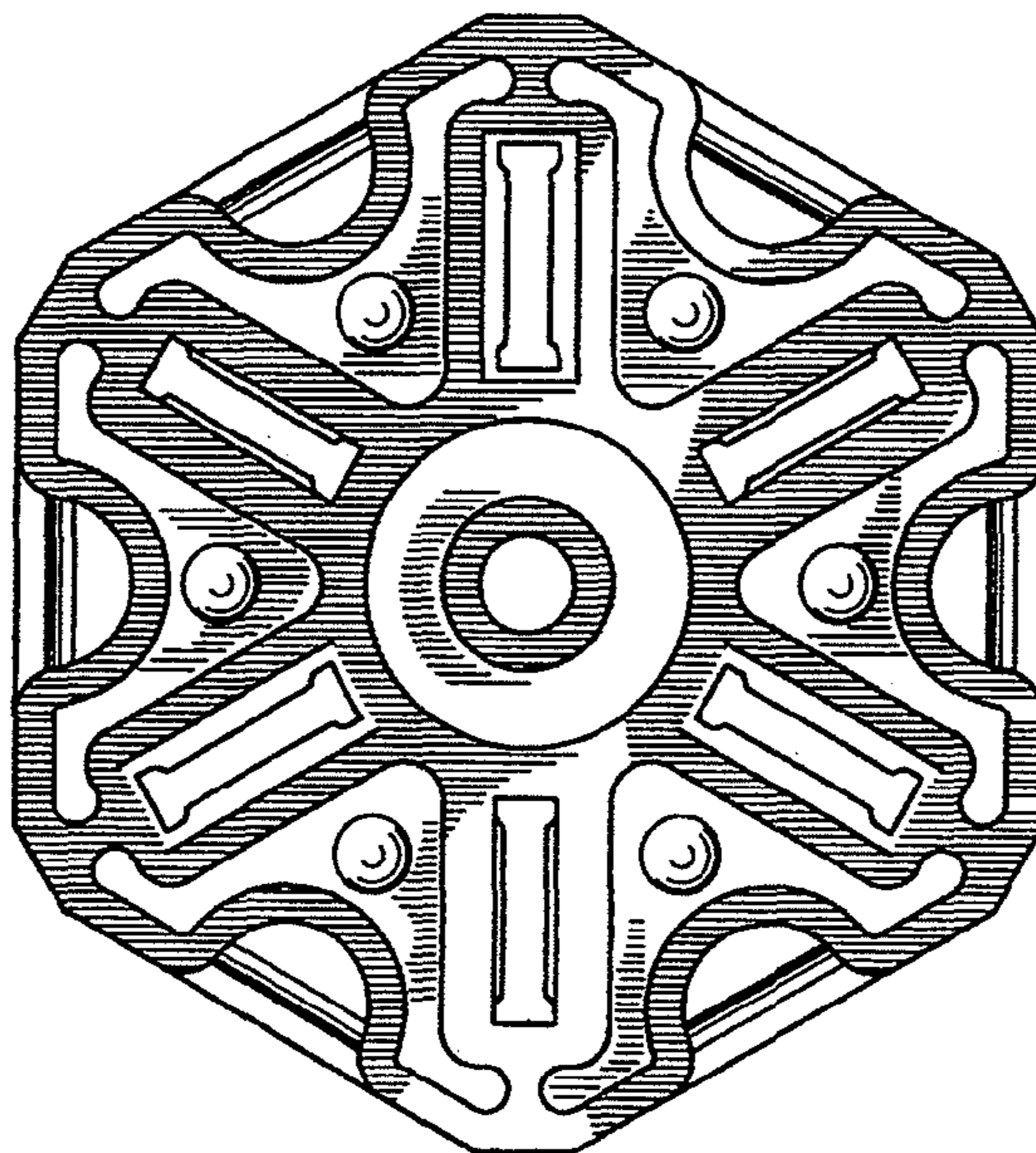


Fig. 8

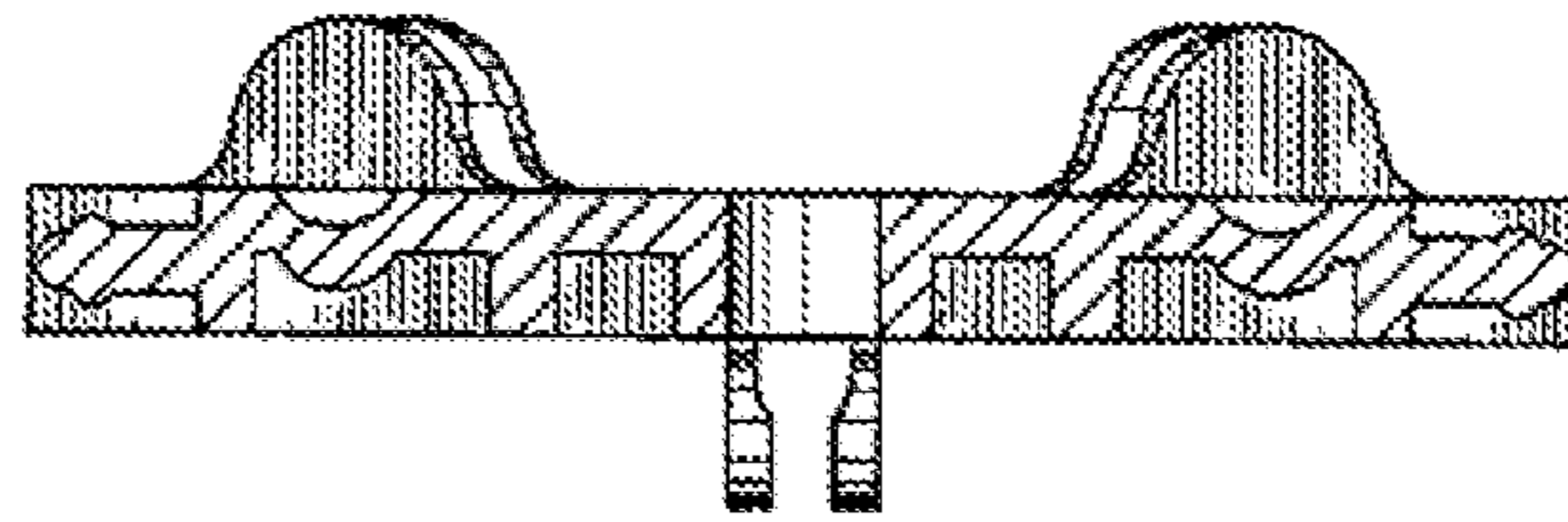


Fig. 9

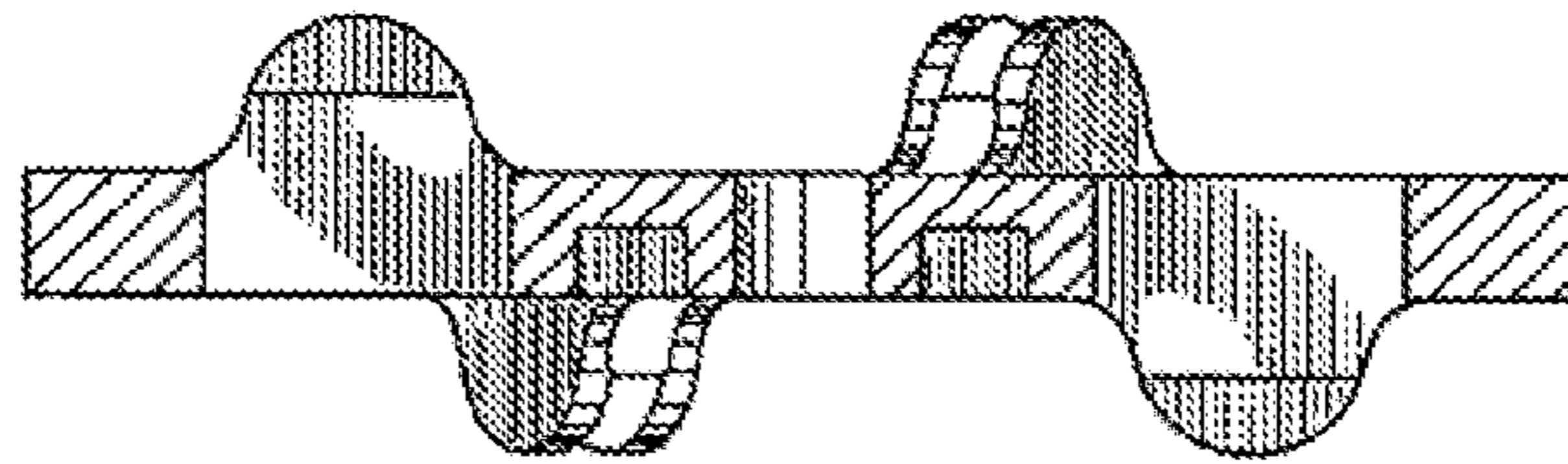


Fig. 10

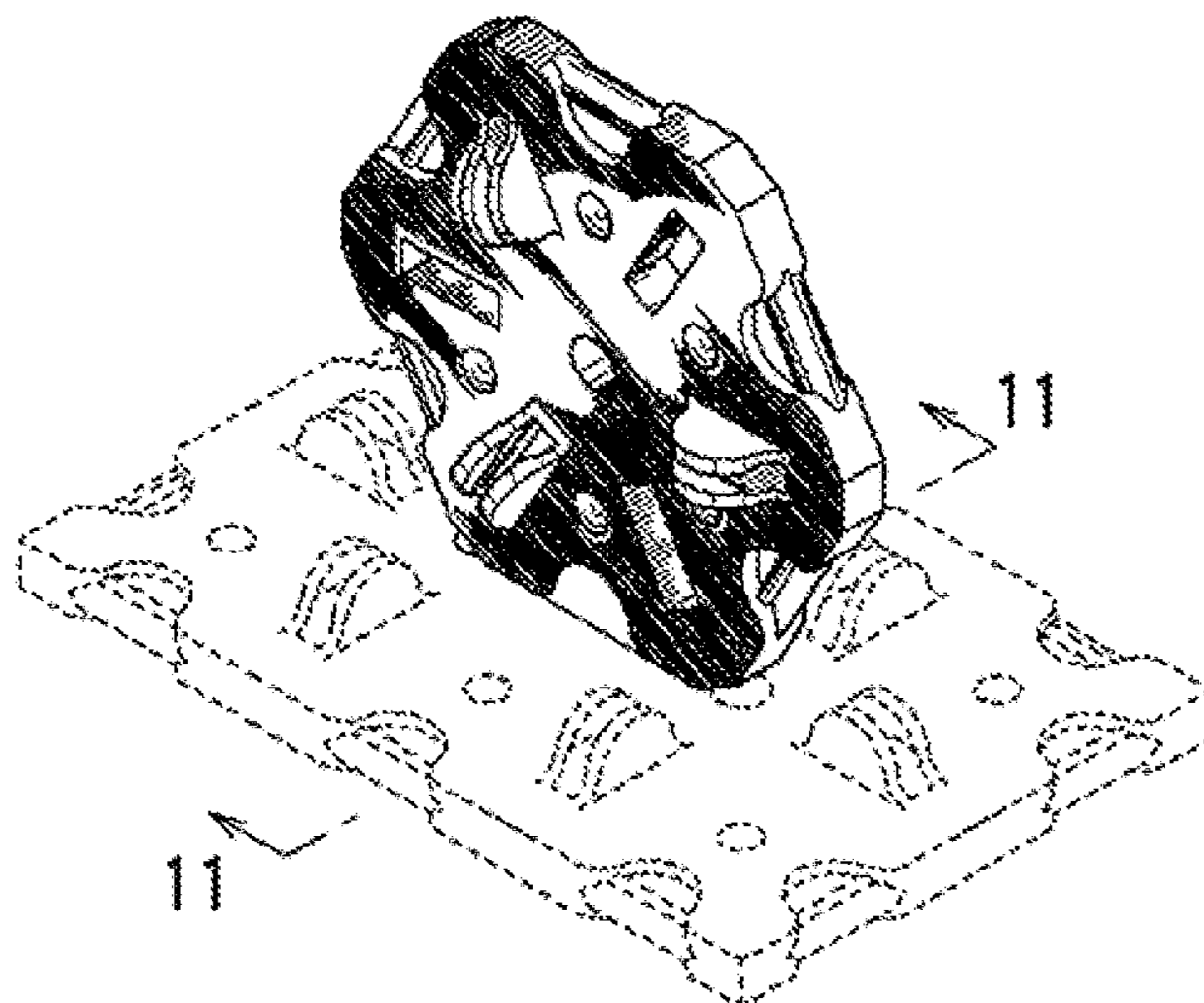


Fig. 11

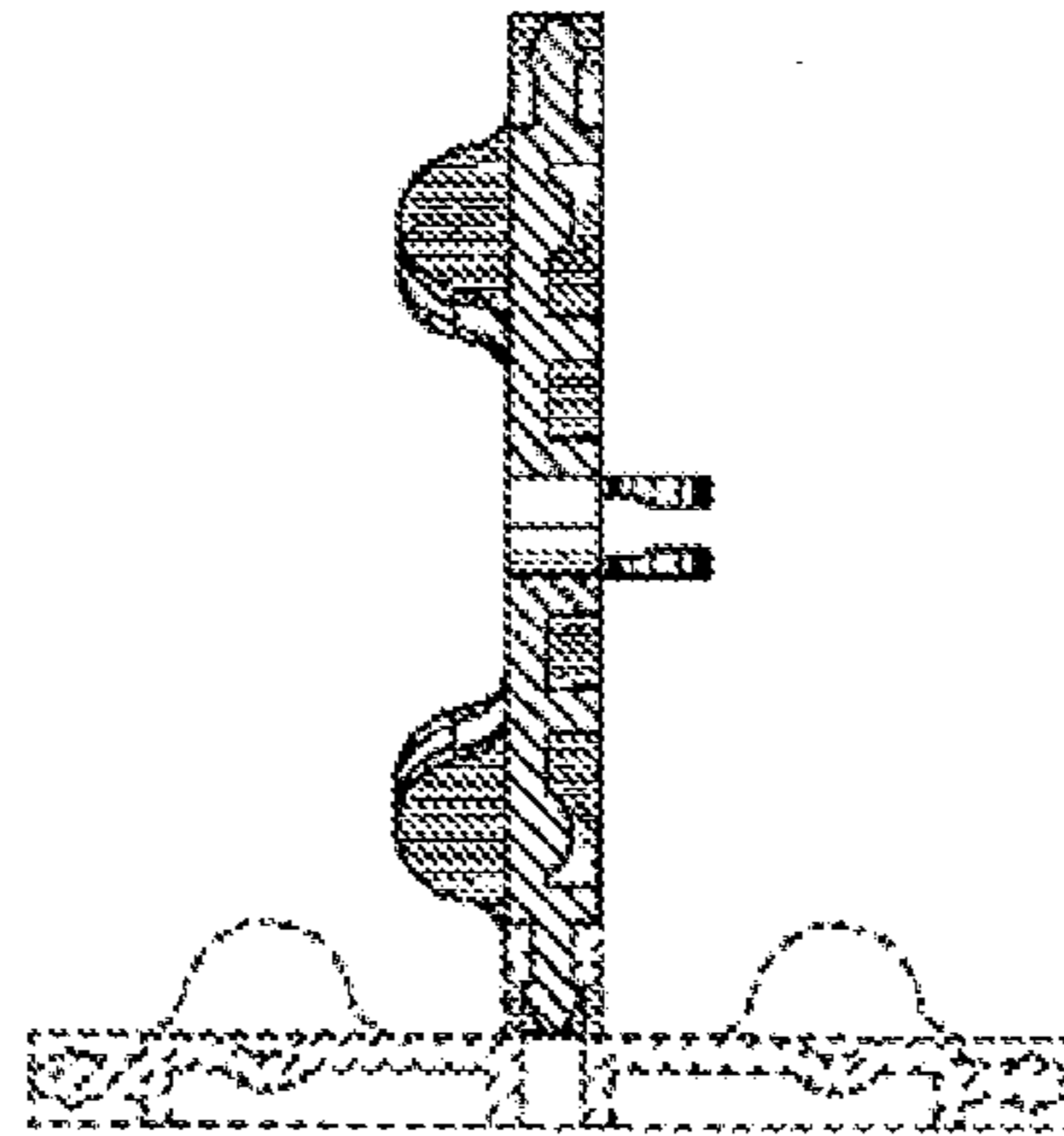


Fig. 12

