



US00D641801S

(12) **United States Design Patent**
Wilson et al.

(10) **Patent No.:** **US D641,801 S**
(45) **Date of Patent:** **** Jul. 19, 2011**

(54) **SCOOTER FRAME**
(75) Inventors: **Stephen S. Wilson**, Las Vegas, NV (US);
Bart Wilson, Las Vegas, NV (US);
Bradley E. Wernli, Oceanside, CA (US)
(73) Assignee: **SBYKE USA LLC**, Las Vegas, NV (US)
(**) Term: **14 Years**

4,657,272 A 4/1987 Davenport
D289,985 S 5/1987 Davenport
D295,428 S 4/1988 Cummings
D295,989 S 5/1988 Cummings
D300,756 S 4/1989 Cummings
4,863,182 A 9/1989 Chern
5,046,747 A 9/1991 Nielsen, Jr.
5,127,488 A 7/1992 Shanahan
5,620,189 A 4/1997 Hinderhofer

(Continued)

(21) Appl. No.: **29/375,780**

(22) Filed: **Sep. 27, 2010**

(51) **LOC (9) Cl.** **21-01**

(52) **U.S. Cl.** **D21/423**

(58) **Field of Classification Search** D21/419,
D21/421, 423, 426, 769, 760, 765, 771, 803;
D12/1, 8; 280/14.21, 14.25, 14.26, 87.041,
280/87.042, 87.05, 263, 288.1, 288.2, 288.4,
280/200, 214, 809; 180/180, 181; D8/354

See application file for complete search history.

(56) **References Cited**

U.S. PATENT DOCUMENTS

322,504 A 7/1885 Thompson
329,556 A 11/1885 Hirt
329,557 A 11/1885 Hirt
638,963 A 12/1899 Ganswindt
865,441 A 9/1907 Slocom
1,599,223 A 9/1926 Epps
1,607,972 A 11/1926 Mangold
3,284,096 A 11/1966 Hansen et al.
3,652,101 A 3/1972 Pivonka
3,860,264 A 1/1975 Douglas et al.
3,891,225 A 6/1975 Sessa et al.
4,047,725 A 9/1977 Pinchock
4,103,921 A 8/1978 Brooks
4,198,072 A 4/1980 Hopkins
4,359,231 A 11/1982 Mulcahy
4,469,343 A 9/1984 Weatherford
4,624,469 A 11/1986 Bourne

FOREIGN PATENT DOCUMENTS

DE 4424297 A1 1/1996

(Continued)

OTHER PUBLICATIONS

Triton, Triton Pro, Asa Products. Asa Products, Inc. Copyright 2004.
2 pages. <<http://www.asaproducts.com/PhotoGallery.asp?ProductCode=Tri%2D001+Red>>.

(Continued)

Primary Examiner — Cynthia M Chin

(74) *Attorney, Agent, or Firm* — Stetina Brunda Garred & Brucker

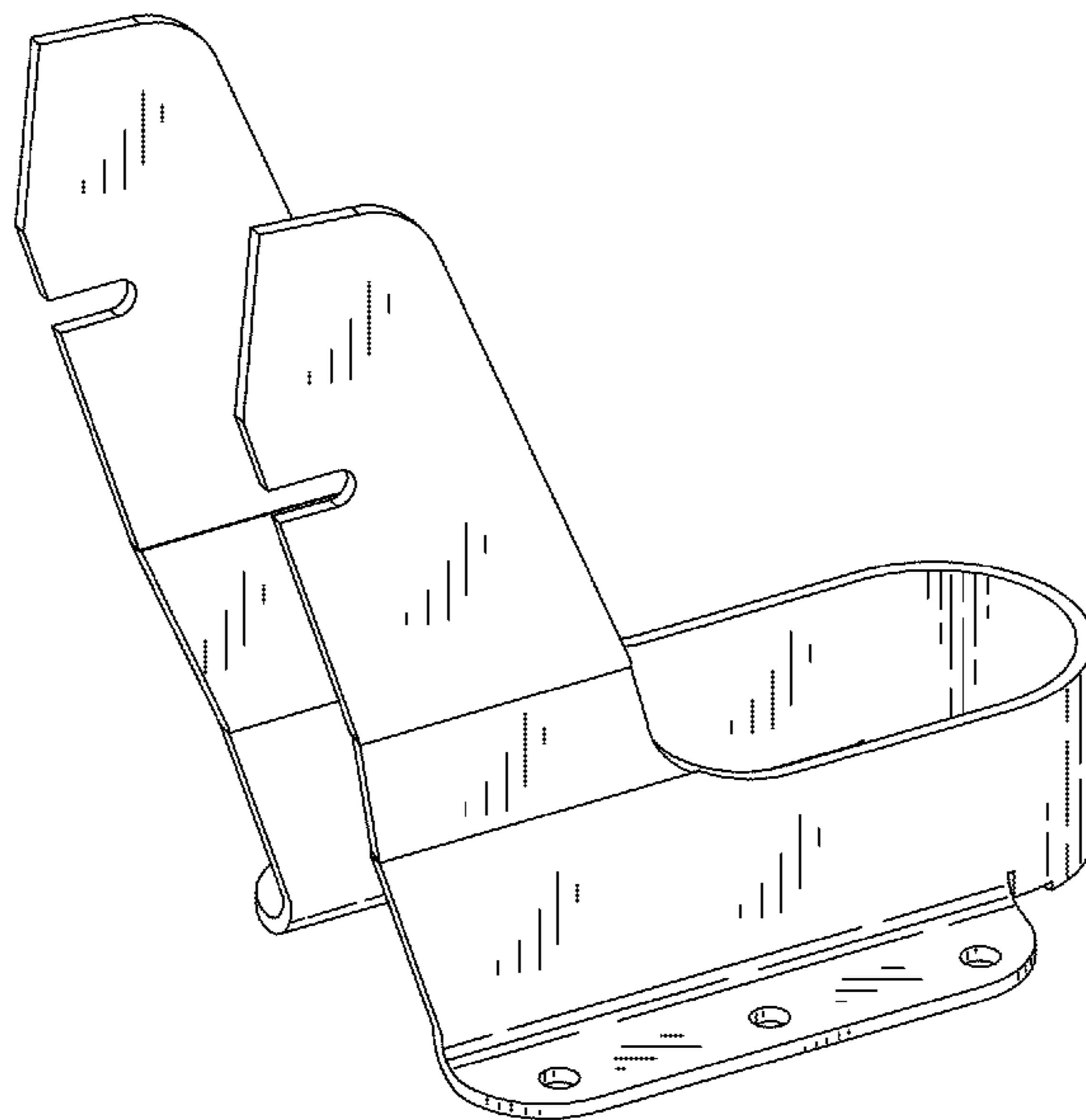
(57) **CLAIM**

The ornamental design for a scooter frame, as shown and described.

DESCRIPTION

FIG. 1 is a front perspective view of the scooter frame of the present invention showing our new design;
FIG. 2 is a front end view thereof;
FIG. 3 is a rear end view thereof;
FIG. 4 is a top plan view thereof;
FIG. 5 is a side elevational view thereof; and,
FIG. 6 is a bottom plan view thereof.

1 Claim, 2 Drawing Sheets



US D641,801 S

Page 2

U.S. PATENT DOCUMENTS

6,173,976 B1 * 1/2001 Lee 280/87.05
6,220,612 B1 4/2001 Beleski, Jr.
D444,184 S 6/2001 Kettler
6,250,656 B1 6/2001 Ibarra
D444,511 S * 7/2001 Shih D21/423
6,315,304 B1 11/2001 Kirkland et al.
6,332,621 B1 * 12/2001 Wu 280/87.041
D453,198 S * 1/2002 Dudley D21/423
6,345,678 B1 * 2/2002 Chang 180/181
6,390,483 B1 * 5/2002 Hsu et al. 280/87.041
6,467,781 B1 10/2002 Feng
6,481,913 B2 * 11/2002 Chen 280/87.05
6,499,751 B1 12/2002 Beleski, Jr.
6,523,837 B2 2/2003 Kirkland
6,595,536 B1 7/2003 Tucker
D486,532 S * 2/2004 Christianson D21/423
6,739,606 B2 5/2004 Rappaport
6,832,660 B2 * 12/2004 Dodd 180/220
6,969,076 B2 * 11/2005 Spiers 280/14.28
7,007,957 B1 3/2006 Lee
7,044,491 B2 5/2006 Kettler et al.
7,156,405 B1 * 1/2007 Ming 280/87.05
7,192,038 B2 3/2007 Tsai

D569,447 S * 5/2008 Thomas D21/423
7,540,517 B2 6/2009 Wernli
2002/0017768 A1 * 2/2002 Nardone 280/87.041
2004/0012166 A1 1/2004 Reginato
2005/0139406 A1 6/2005 McLeese
2006/0042844 A1 3/2006 Kirkpatrick
2006/0049595 A1 3/2006 Crigler et al.
2008/0217085 A1 9/2008 Wernli
2009/0066150 A1 3/2009 O'Rourke, Sr.

FOREIGN PATENT DOCUMENTS

FR 2859111 A1 3/2005
FR 2859166 A1 3/2005
JP 6254200 A 9/1994
JP 10211313 A 8/1998
JP 2006151032 A 6/2006

OTHER PUBLICATIONS

Wikipedia, "Caster Angle", http://en.wikipedia.org/wiki/Caster_angle; Oct. 10, 2009; 2 pages.
Mongoose Bikeboard; "Velocite Mongoose BikeBoard 24V"; http://bikeboardusa.com/velocite_Bike_Board_24V.asp; 2007; 2 pages.

* cited by examiner

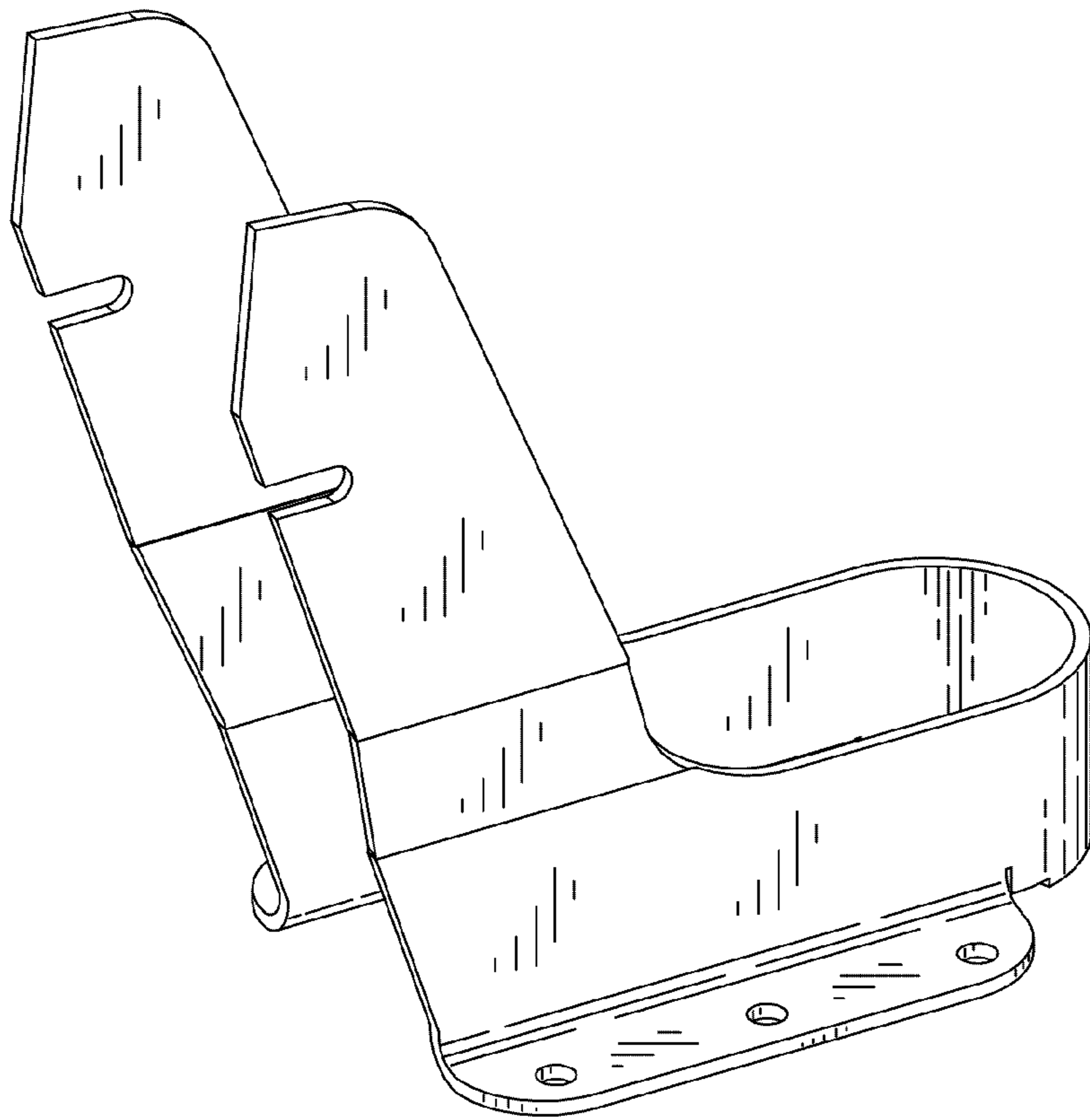


Fig. 1

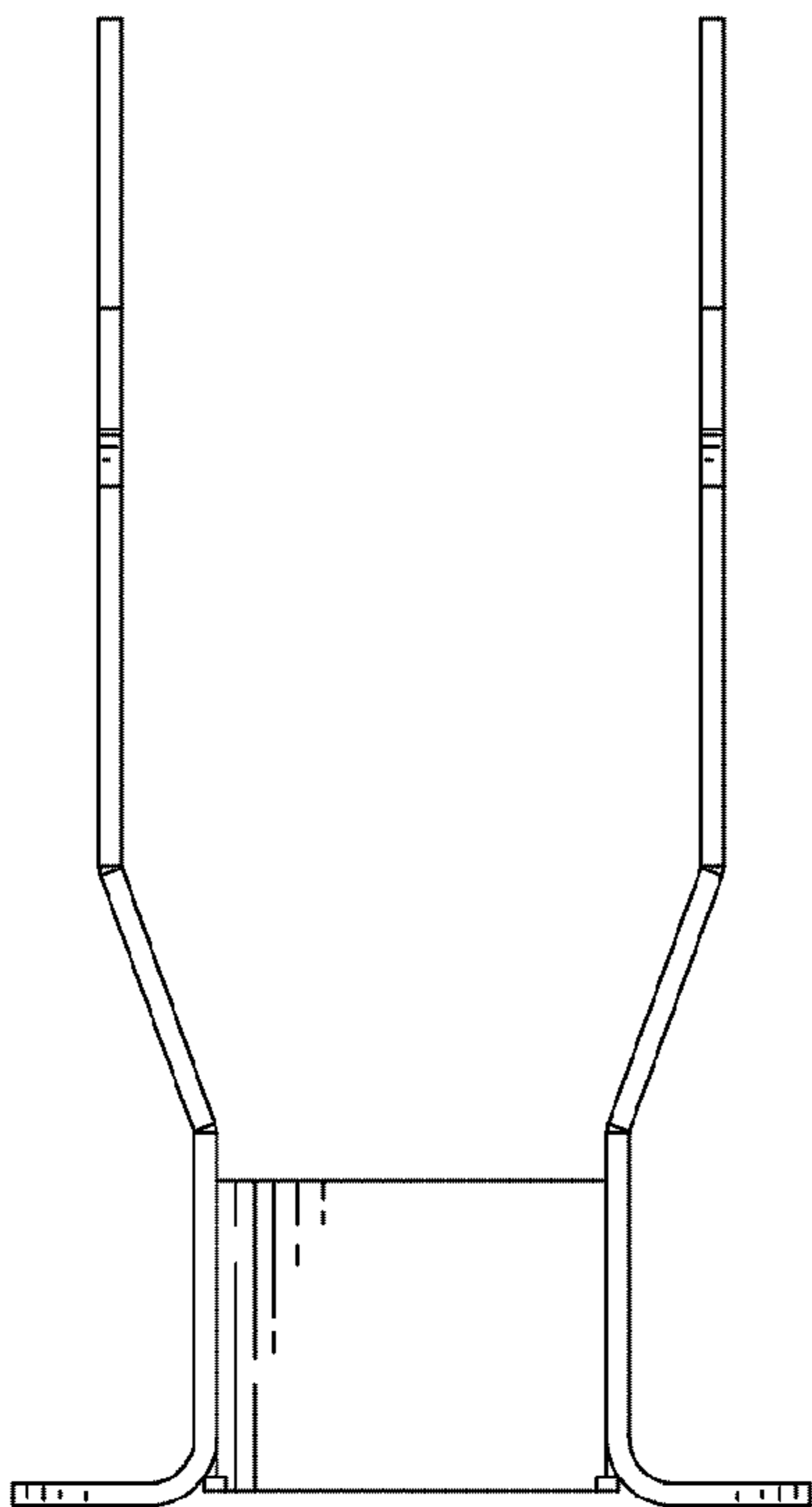


Fig. 2

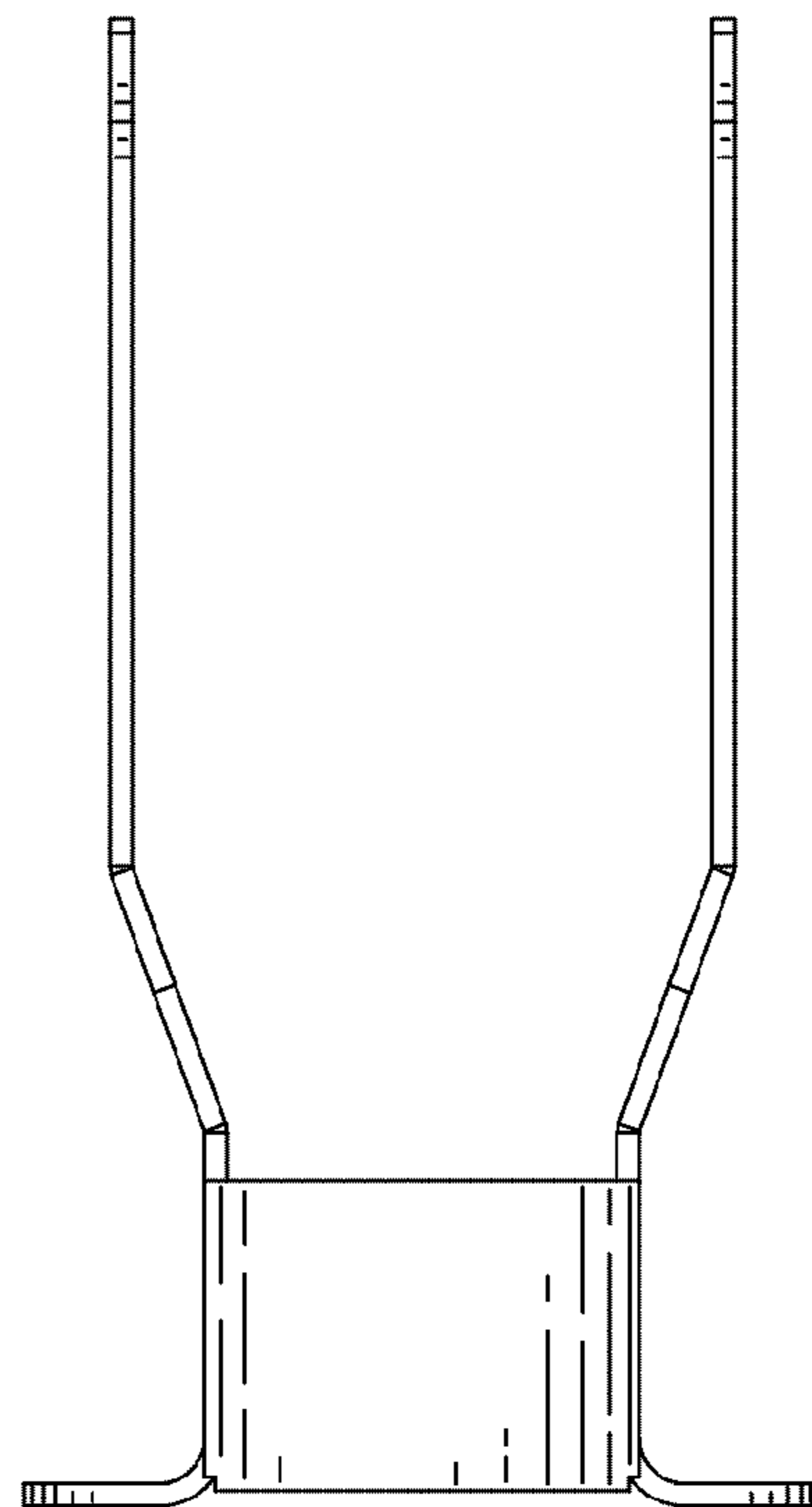


Fig. 3

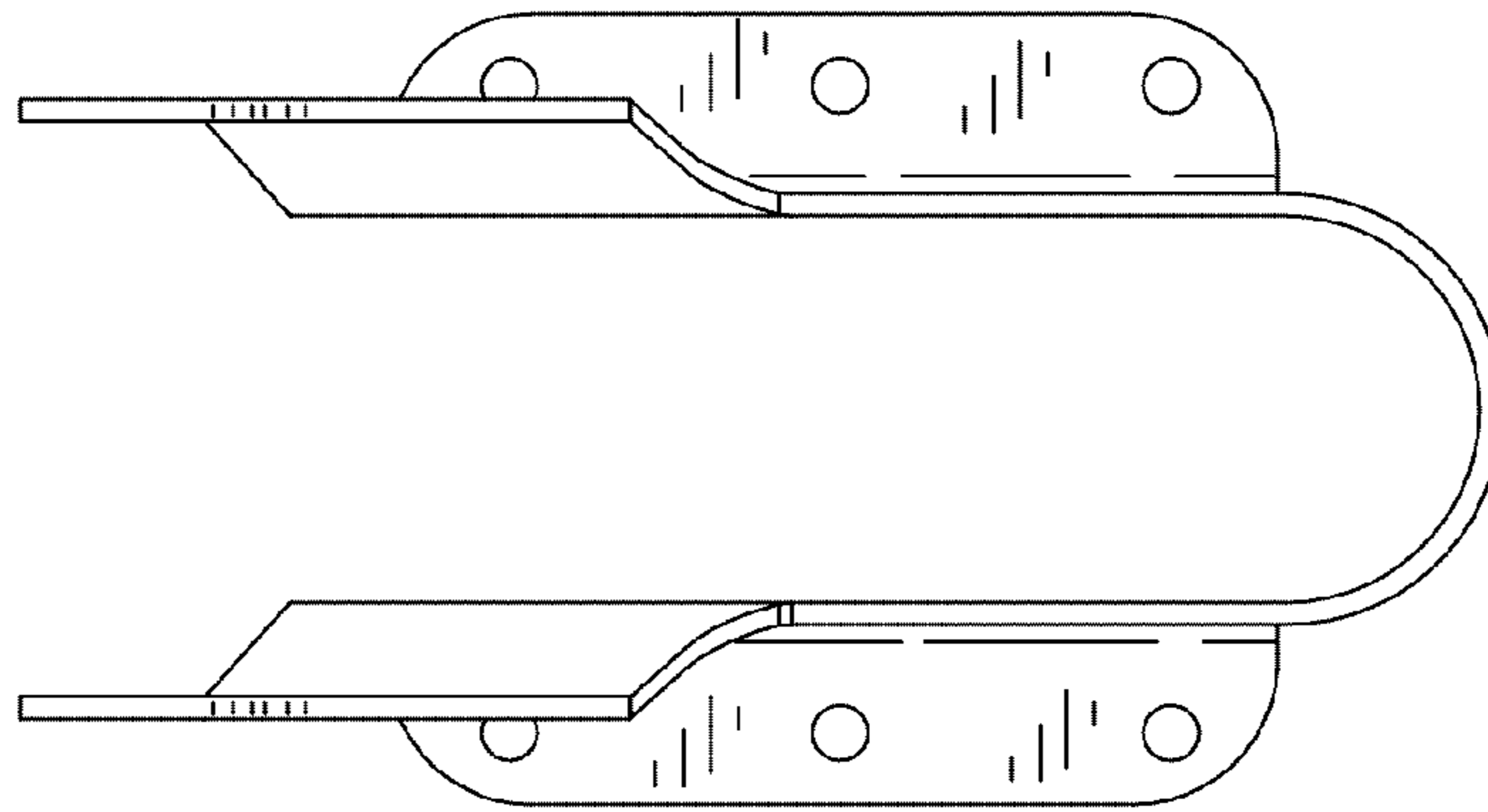


Fig. 4

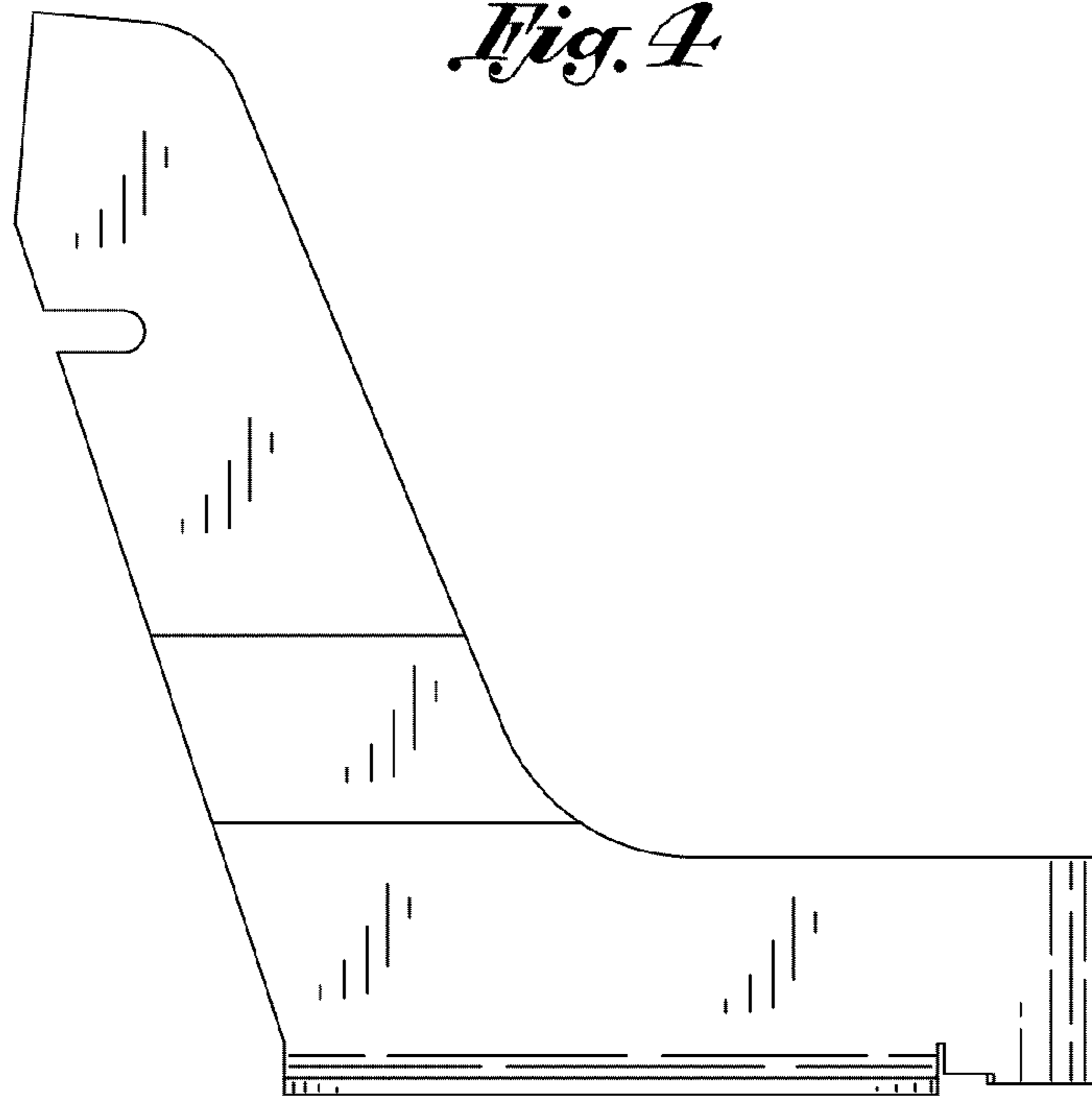


Fig. 5

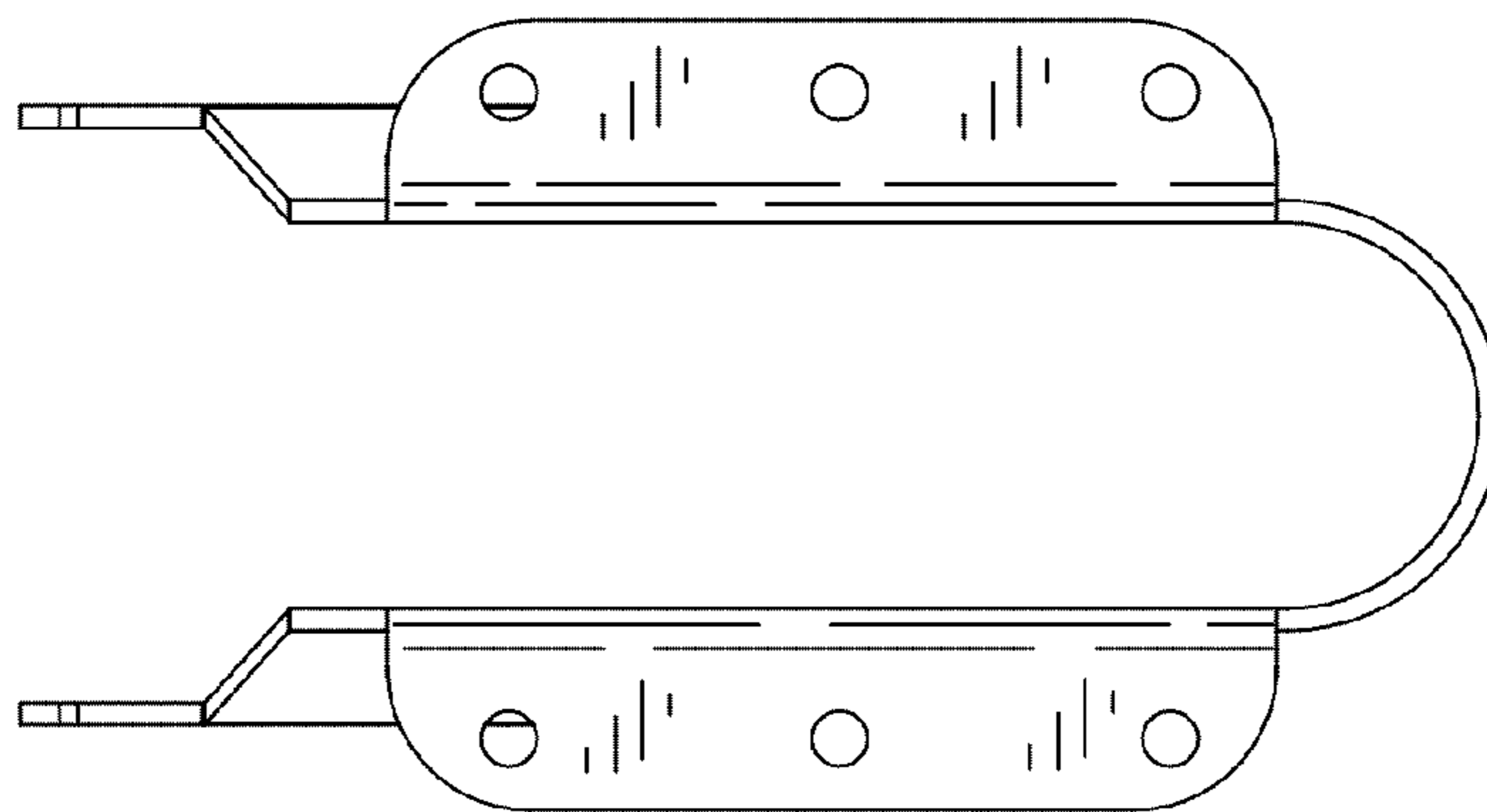


Fig. 6