



US00D641799S

(12) **United States Design Patent**
Groeber et al.

(10) **Patent No.:** **US D641,799 S**

(45) **Date of Patent:** **** Jul. 19, 2011**

(54) **SCOOTER**

(76) Inventors: **Gerry Groeber**, Mesa, AZ (US); **Aaron C. Groeber**, Mesa, AZ (US)

(**) Term: **14 Years**

(21) Appl. No.: **29/375,236**

(22) Filed: **Sep. 20, 2010**

(51) **LOC (9) Cl.** **21-01**

(52) **U.S. Cl.** **D21/423**

(58) **Field of Classification Search** D21/419,
D21/421, 423, 426, 769, 760, 765, 771, 803;
D12/1, 8; 280/14.21, 14.25, 14.26, 87.041,
280/87.042, 87.05, 263, 288.1, 288.2, 288.4,
280/200, 214, 809; 180/180, 181
See application file for complete search history.

(56) **References Cited**

U.S. PATENT DOCUMENTS

D250,610	S	*	12/1978	Wynn	D21/423
4,179,134	A	*	12/1979	Atkinson	280/87.042
4,707,884	A	*	11/1987	Chang	280/87.041
4,732,400	A	*	3/1988	Santini	280/87.042
4,775,162	A	*	10/1988	Chao	280/87.041
4,811,971	A	*	3/1989	Phillips	280/87.041
4,886,297	A	*	12/1989	Levine	280/809
D421,282	S	*	2/2000	Orr	D21/765
D451,162	S	*	11/2001	Spiers	D21/767
D456,047	S	*	4/2002	Mandic	D21/423
6,520,516	B2	*	2/2003	Favorito et al.	280/87.042
D514,186	S	*	1/2006	Hazlett	D21/765
D569,448	S	*	5/2008	Sramek et al.	D21/423
7,681,895	B2	*	3/2010	Chen	280/87.041

* cited by examiner

Primary Examiner — Cynthia M Chin

(74) *Attorney, Agent, or Firm* — Booth Udall, PLC; Steven J. Laureanti

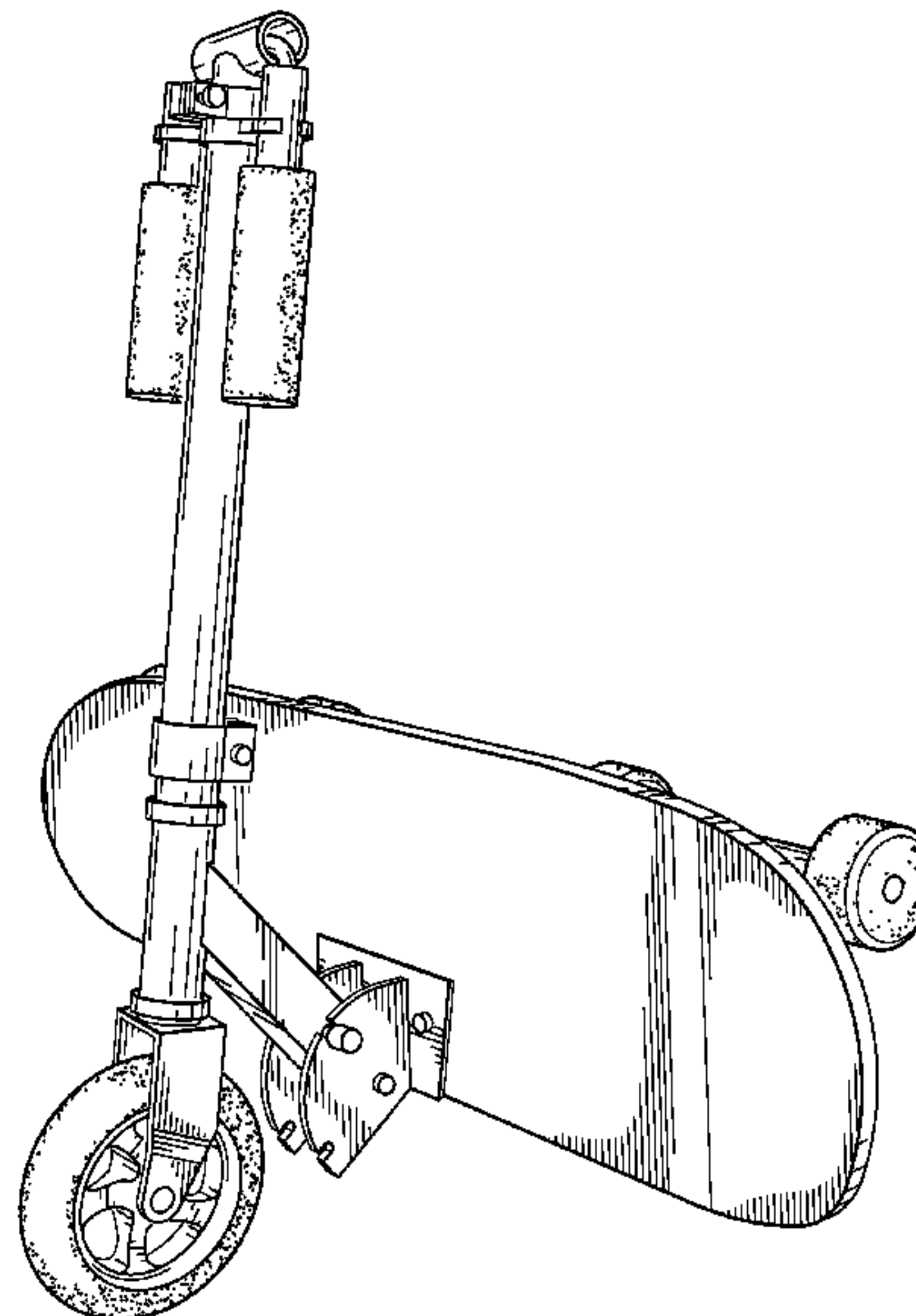
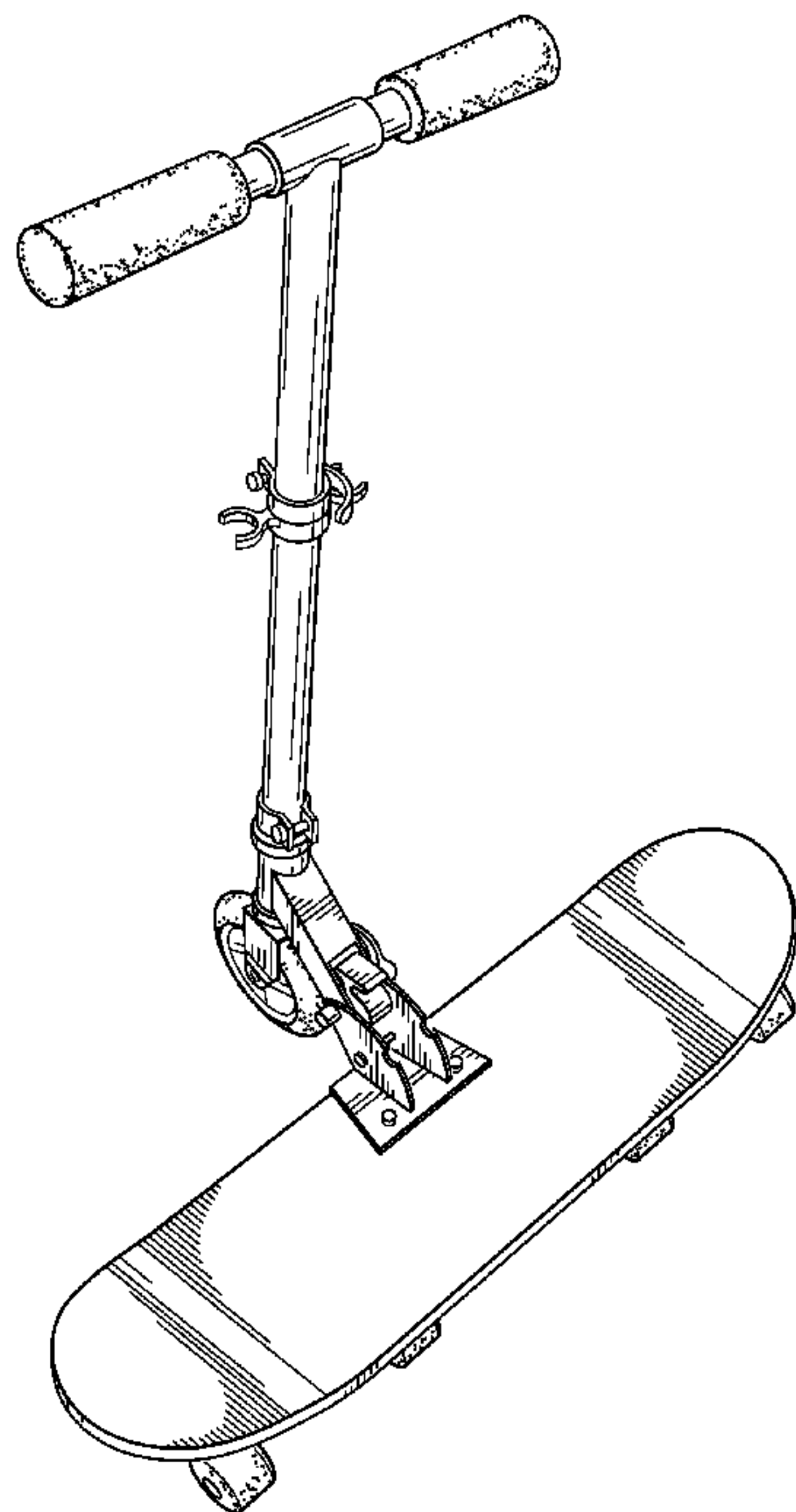
(57) **CLAIM**

The ornamental design for a scooter, as shown and described.

DESCRIPTION

FIG. 1 is a perspective view of the present invention;
 FIG. 2 is a front view of the present invention;
 FIG. 3 is a left side view of the present invention;
 FIG. 4 is a right side view of the present invention;
 FIG. 5 is a back view of the present invention;
 FIG. 6 is a top view of the present invention;
 FIG. 7 is a bottom view of the present invention;
 FIG. 8 is a perspective view of the present invention in a collapsed position;
 FIG. 9 is a front view of the present invention in a collapsed position;
 FIG. 10 is a left side view of the present invention in a collapsed position;
 FIG. 11 is a right side view of the present invention in a collapsed position;
 FIG. 12 is a back view of the present invention in a collapsed position;
 FIG. 13 is a top view of the present invention in a collapsed position; and,
 FIG. 14 is a bottom view of the present invention in a collapsed position.

1 Claim, 11 Drawing Sheets



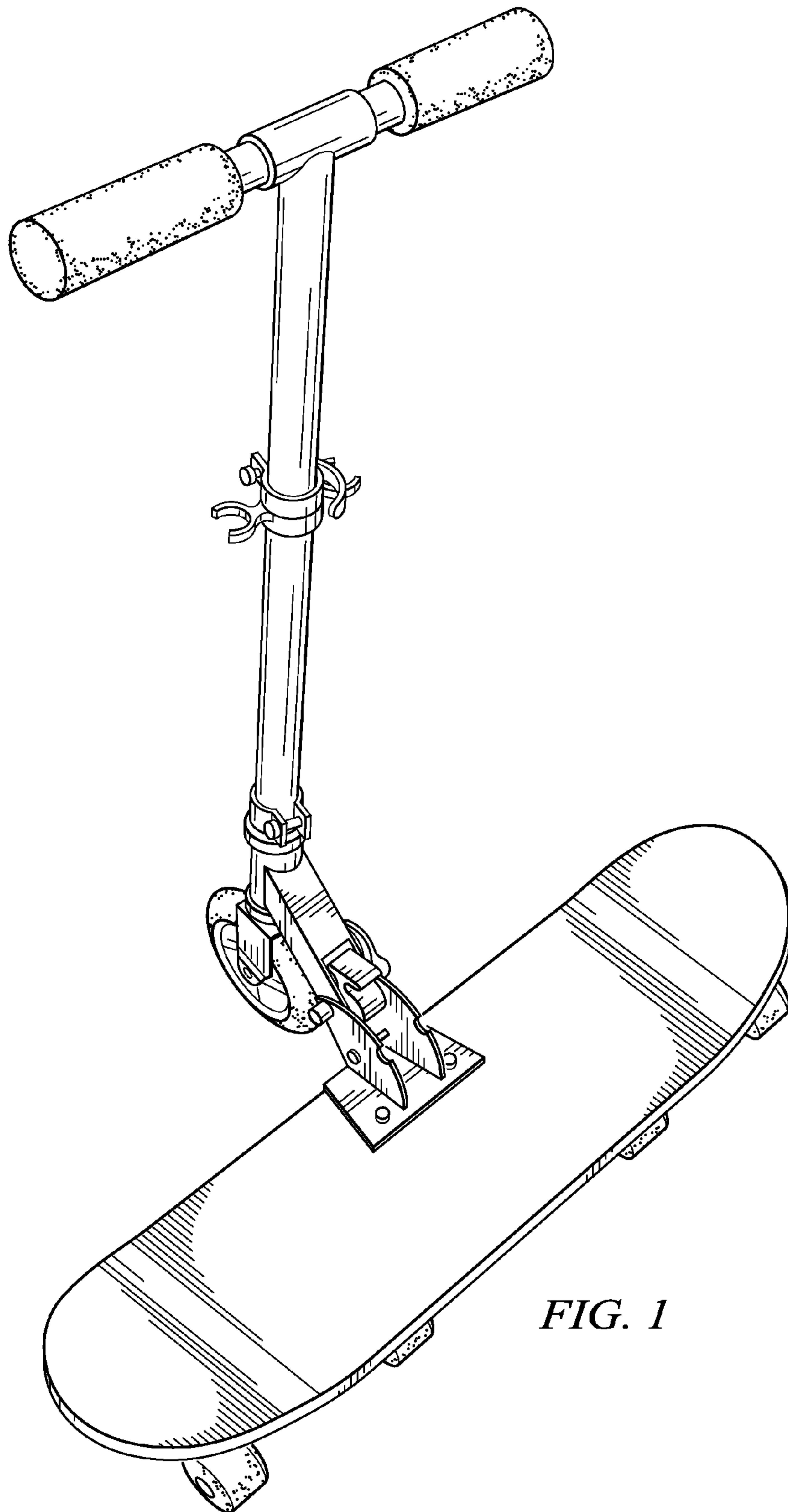


FIG. 1

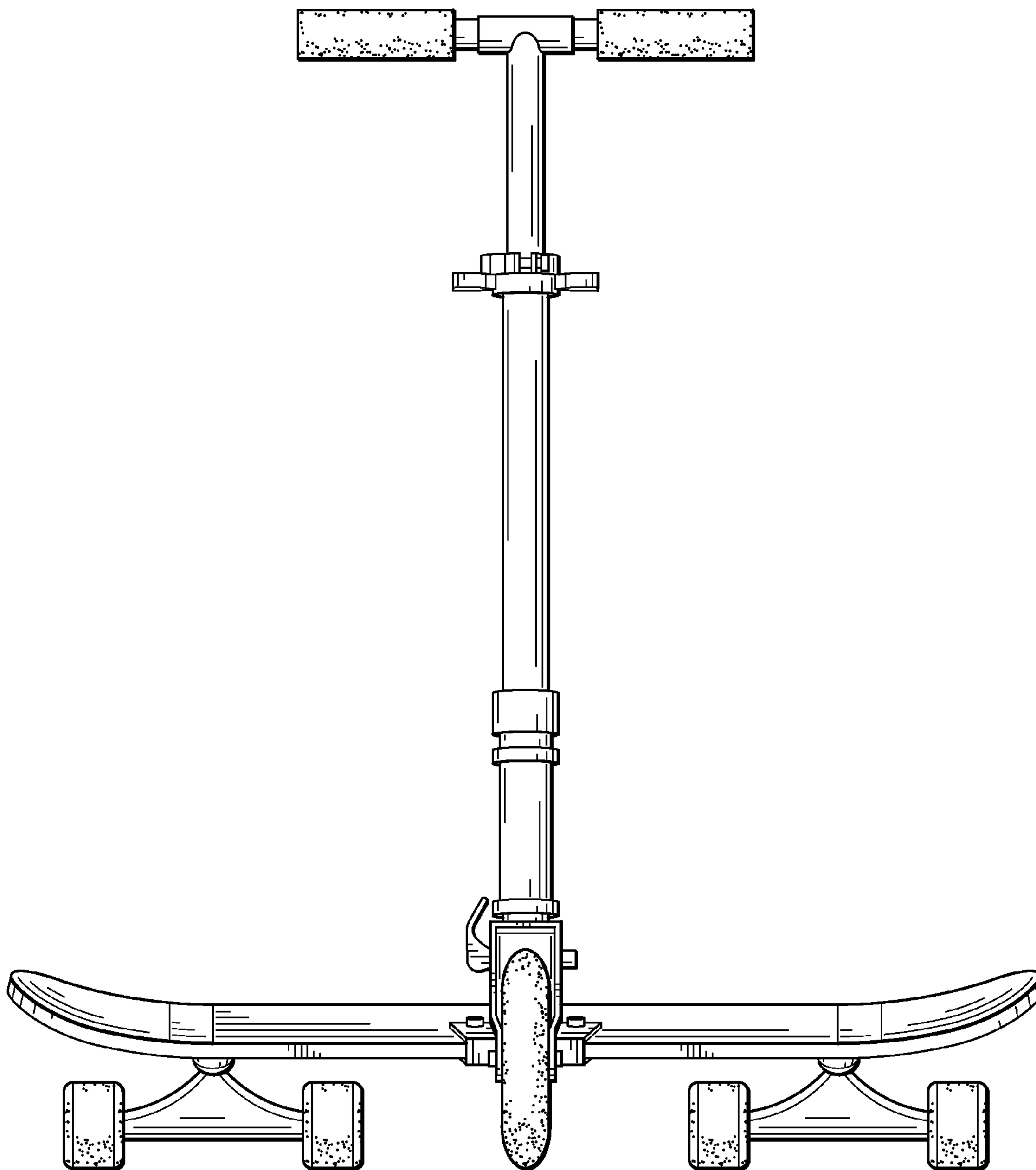


FIG. 2

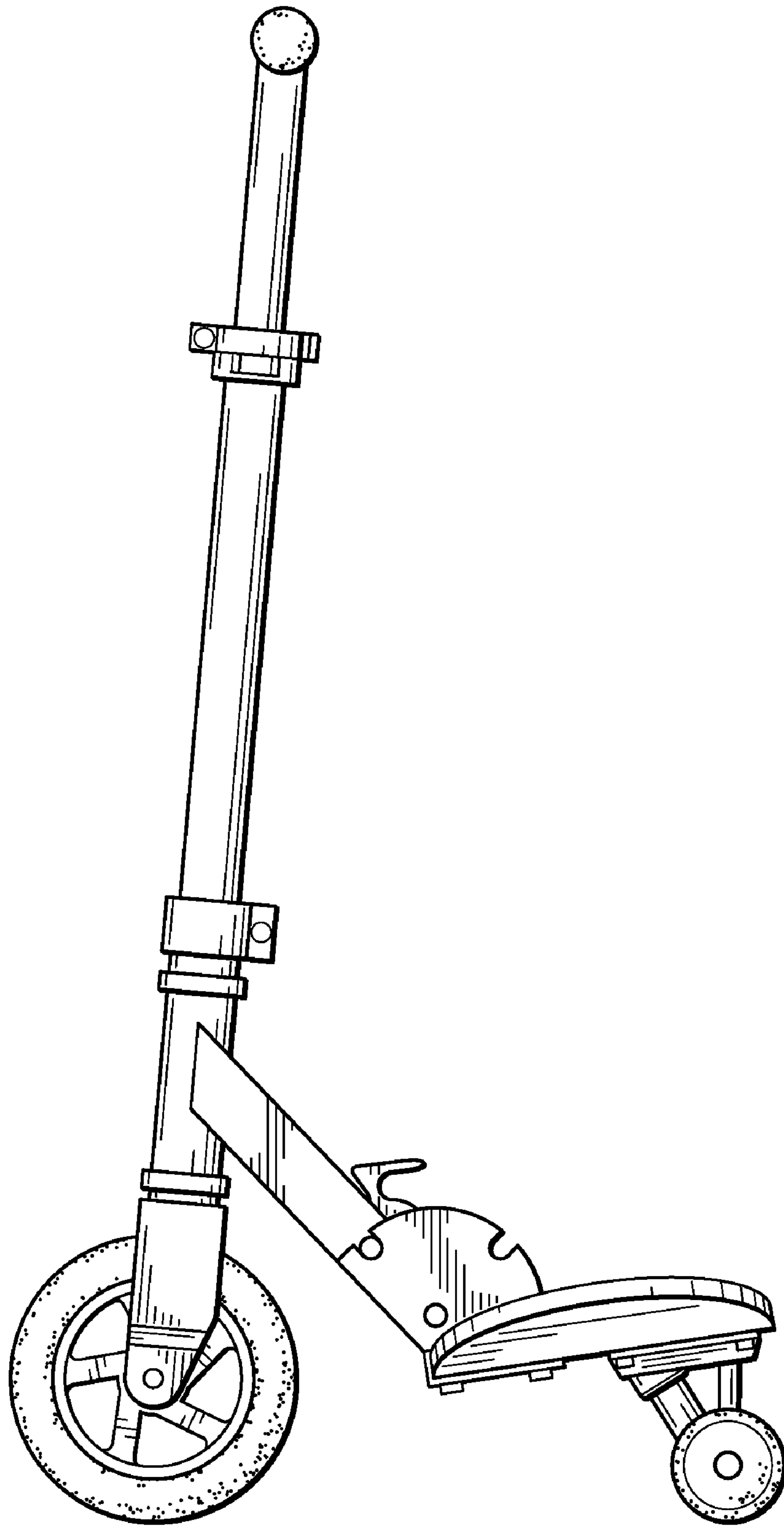


FIG. 3

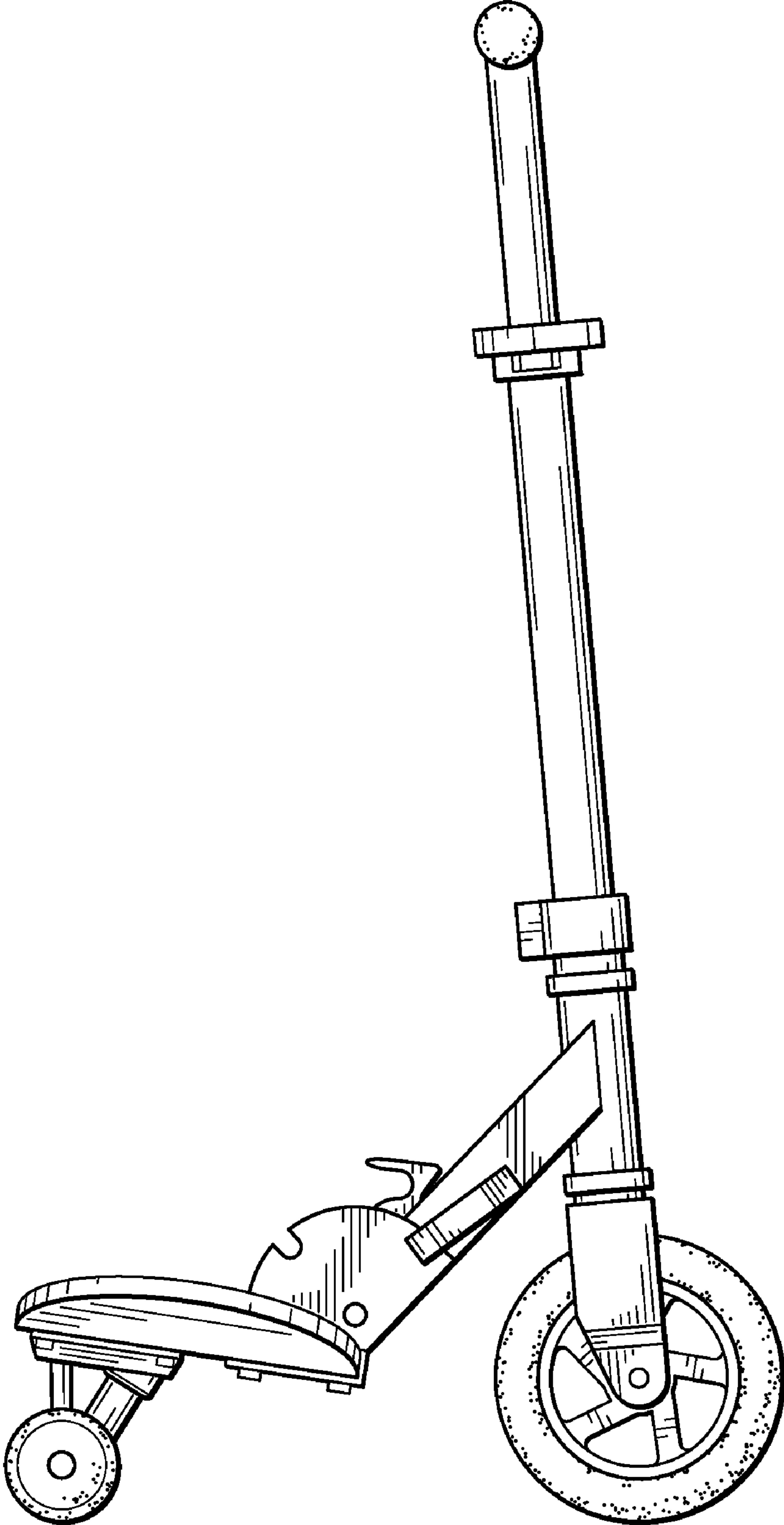


FIG. 4

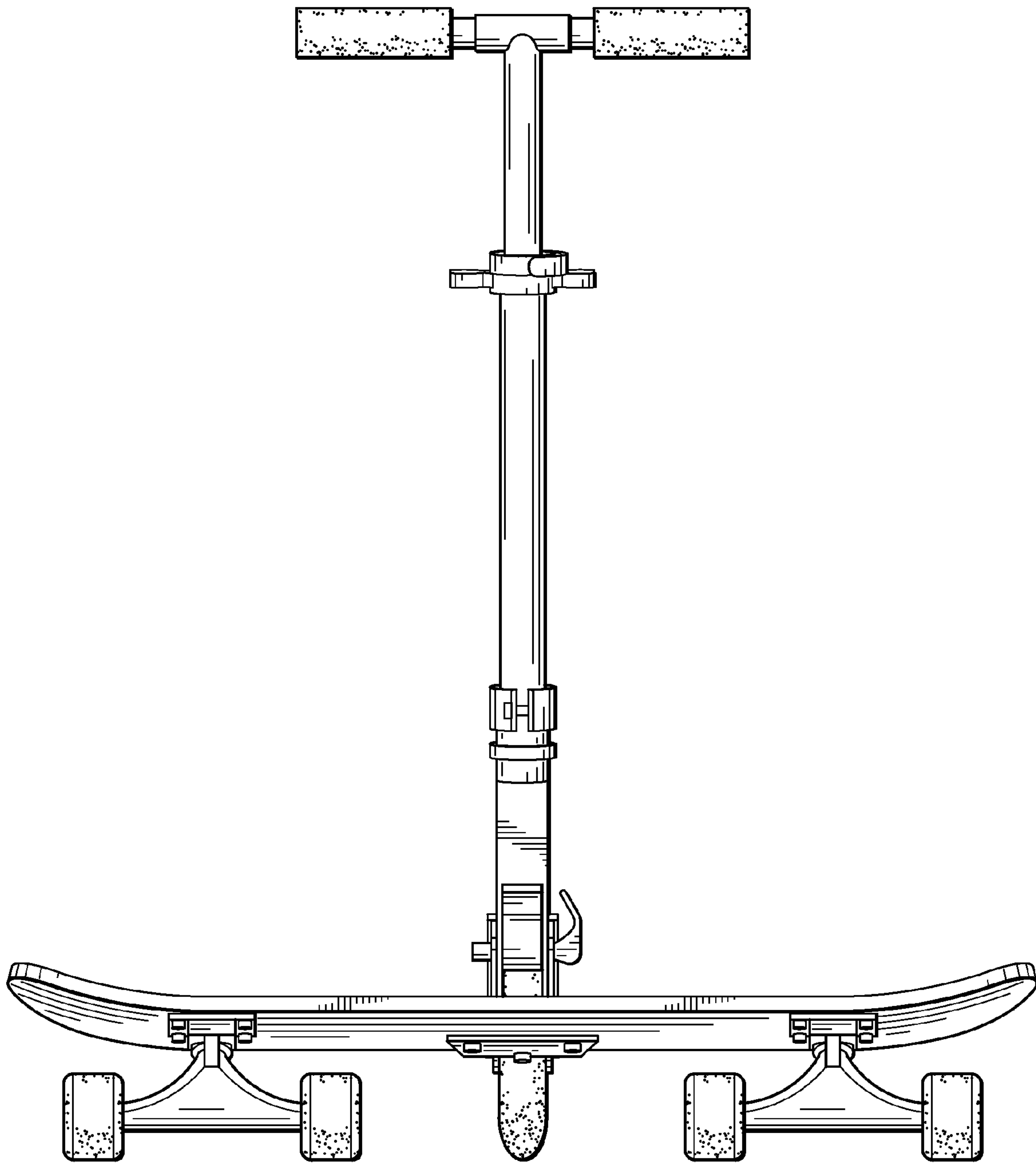


FIG. 5

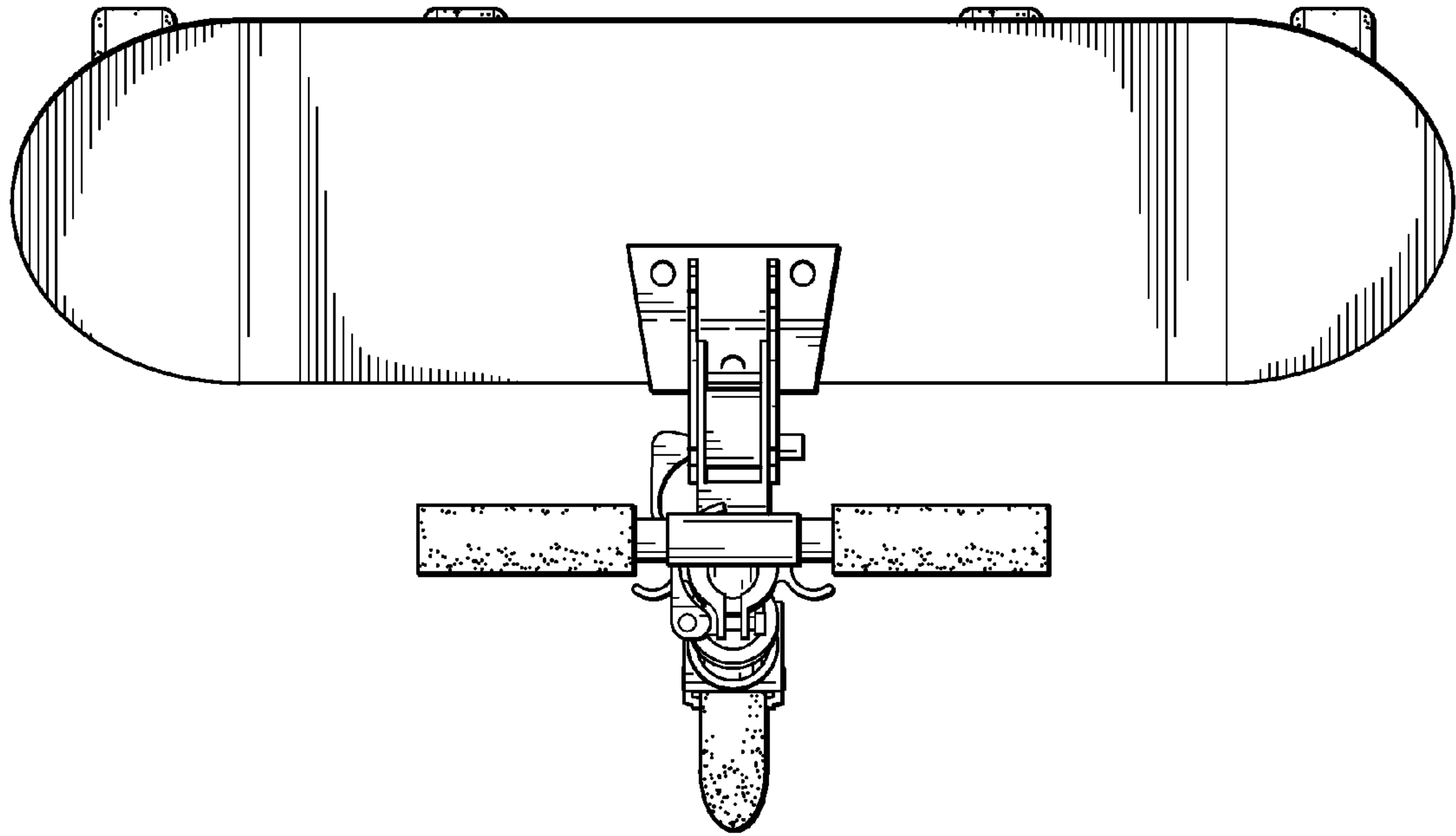


FIG. 6

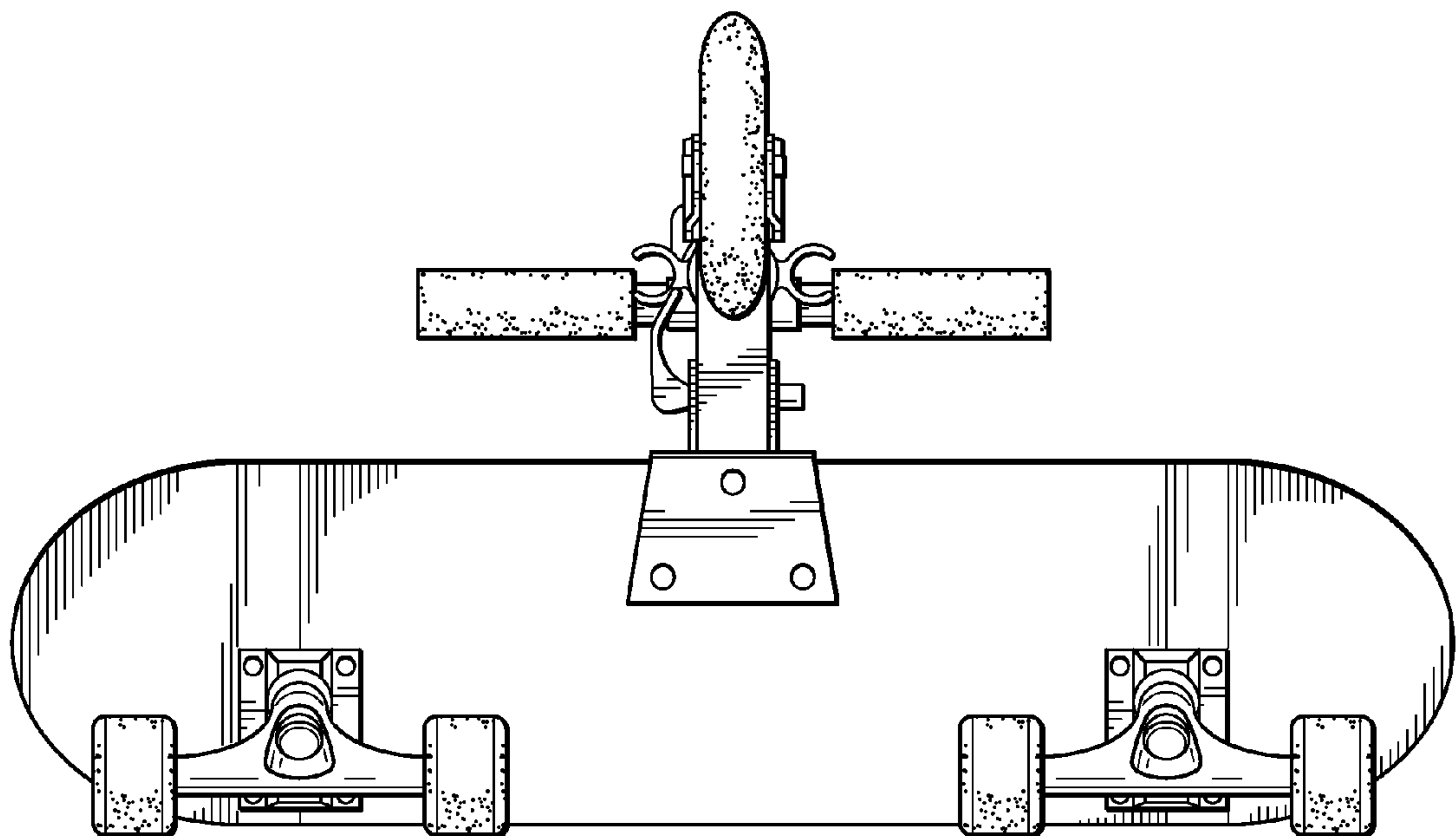


FIG. 7

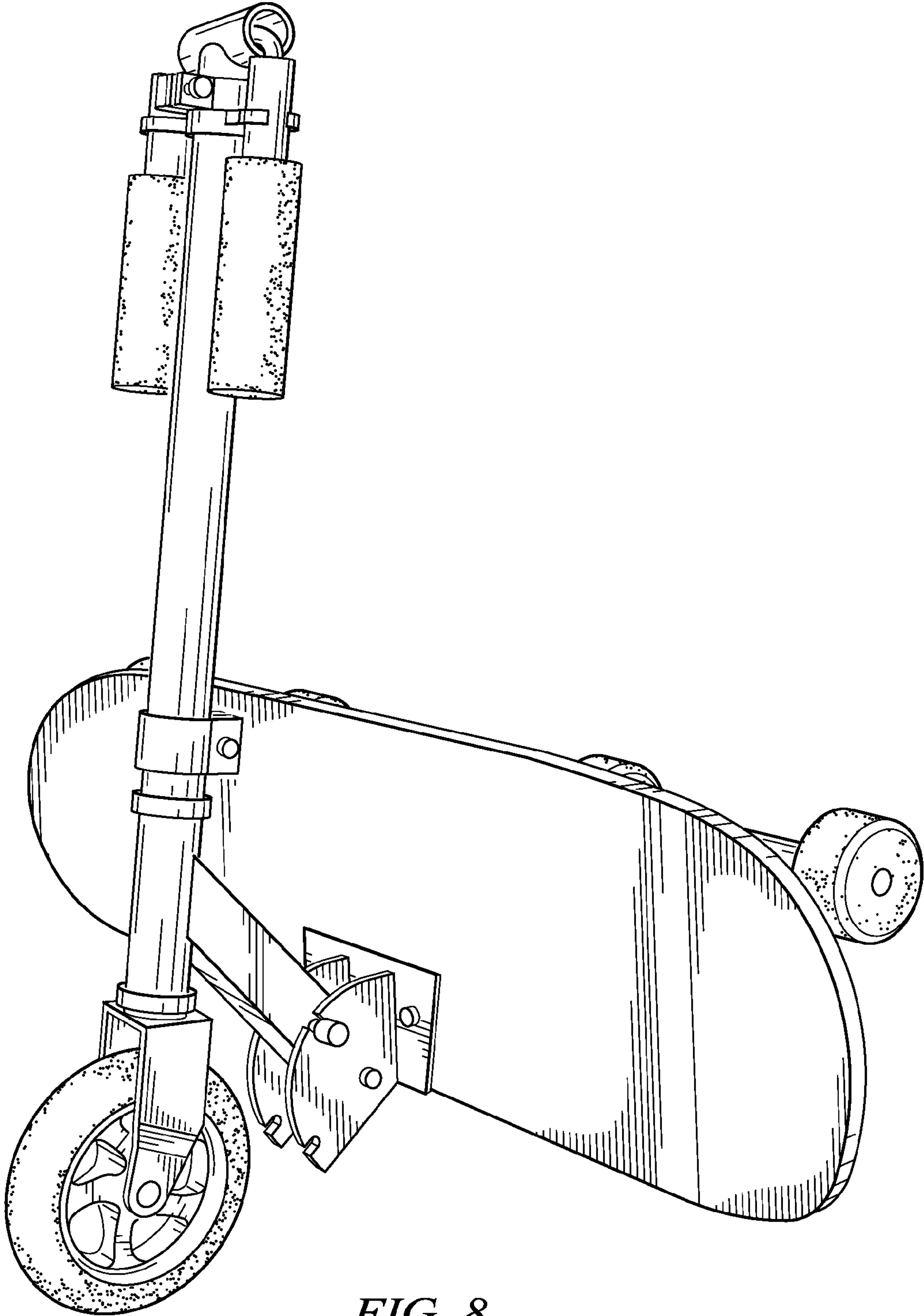


FIG. 8

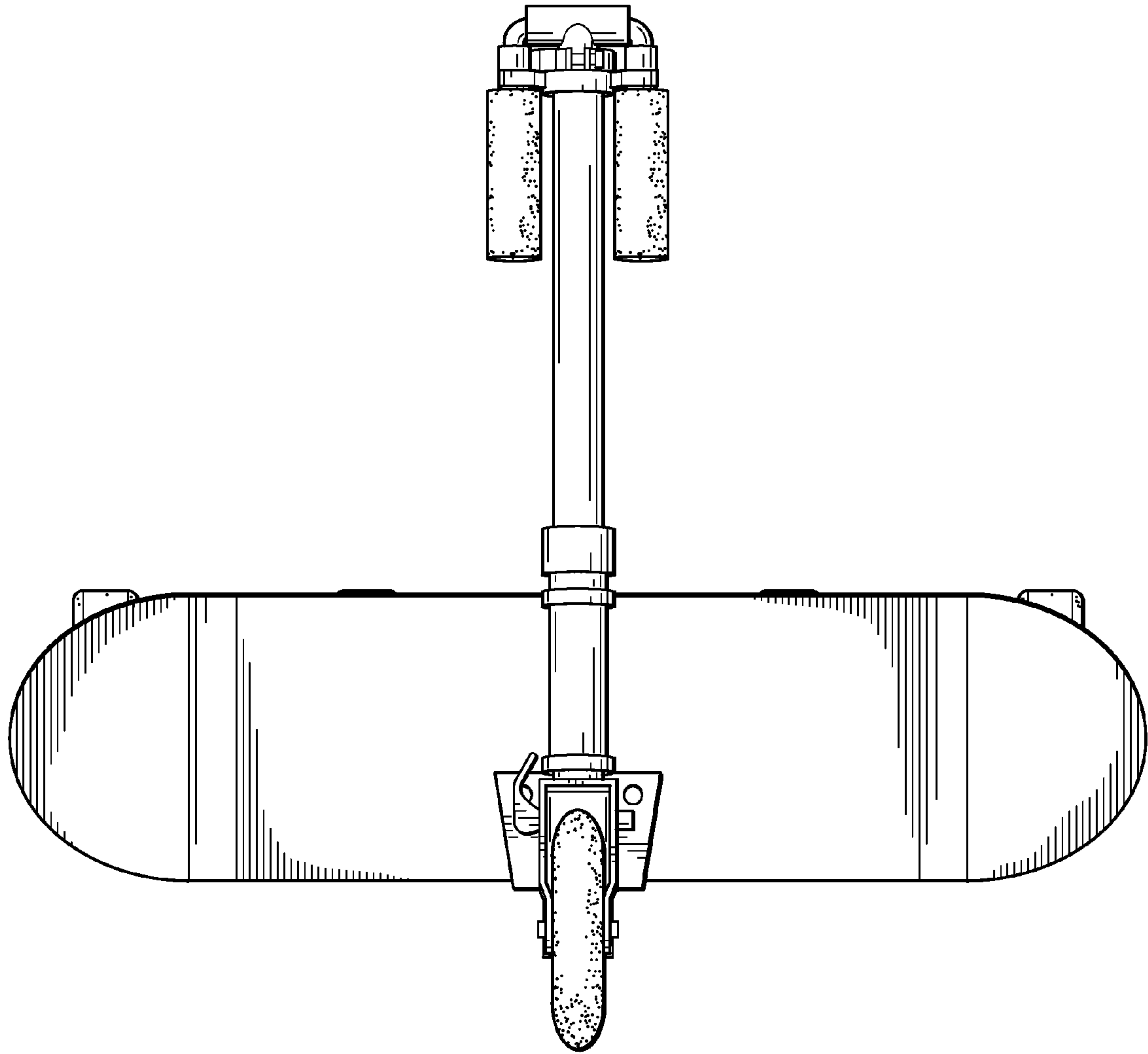


FIG. 9

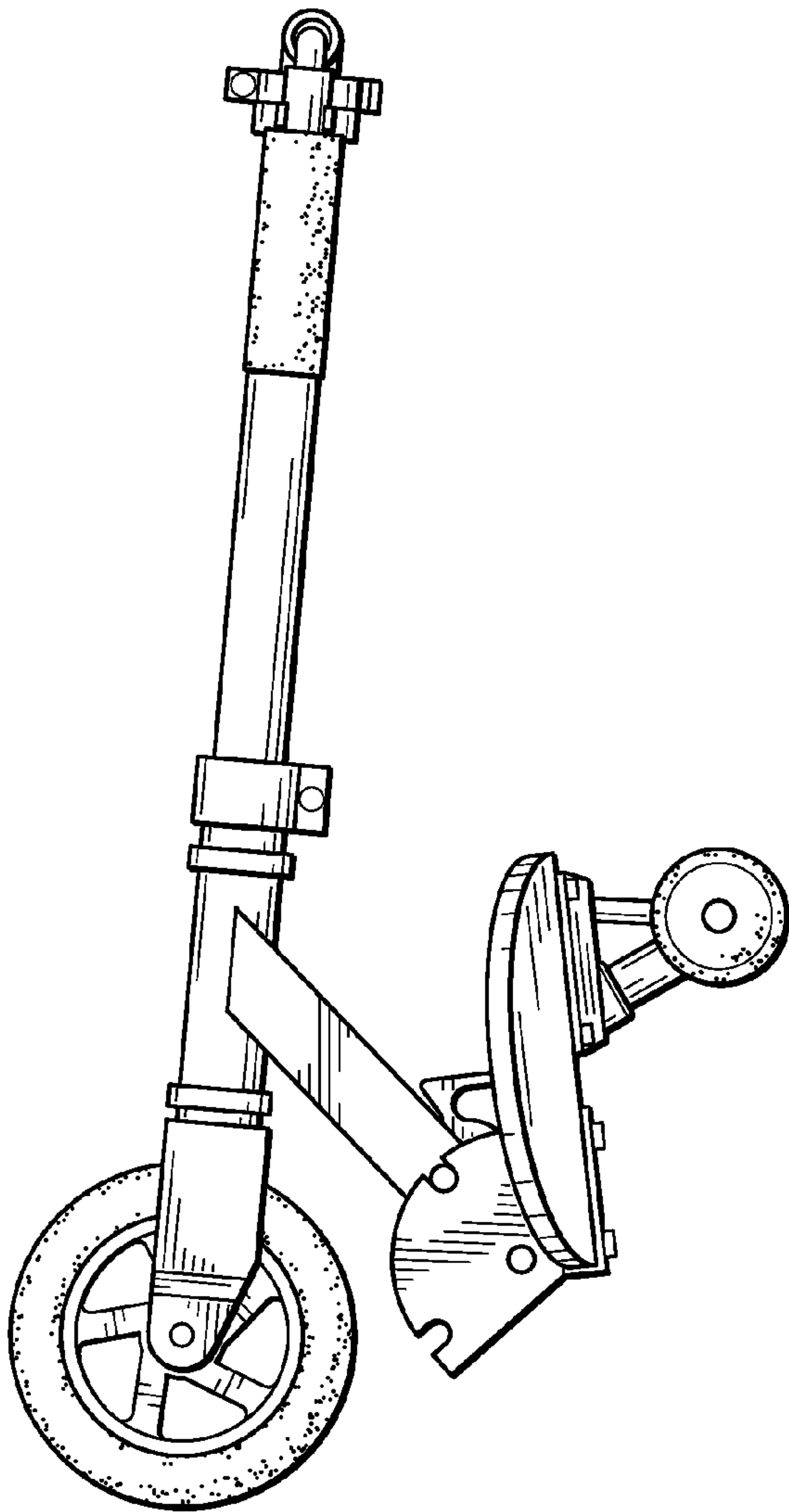


FIG. 10

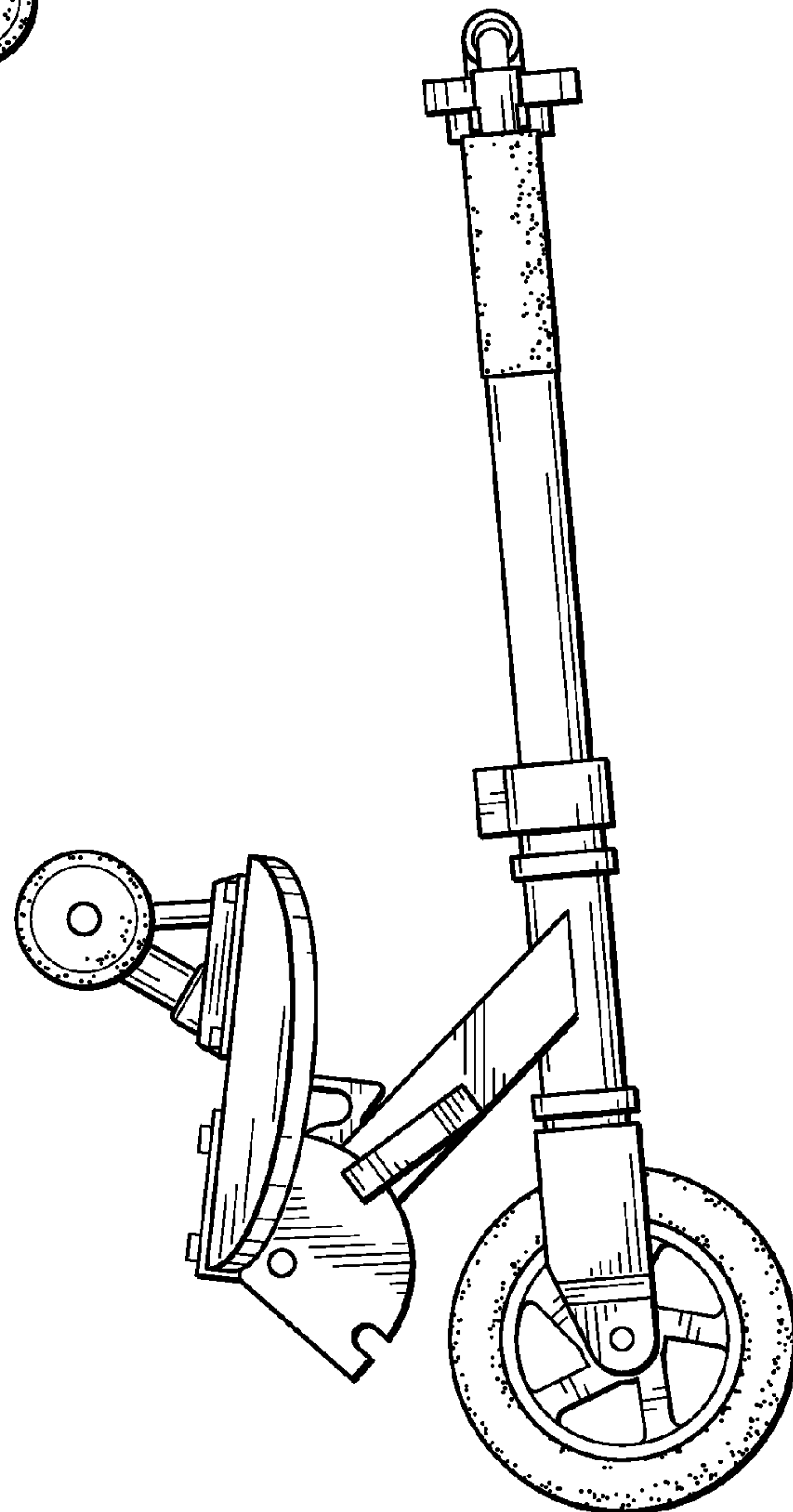


FIG. 11

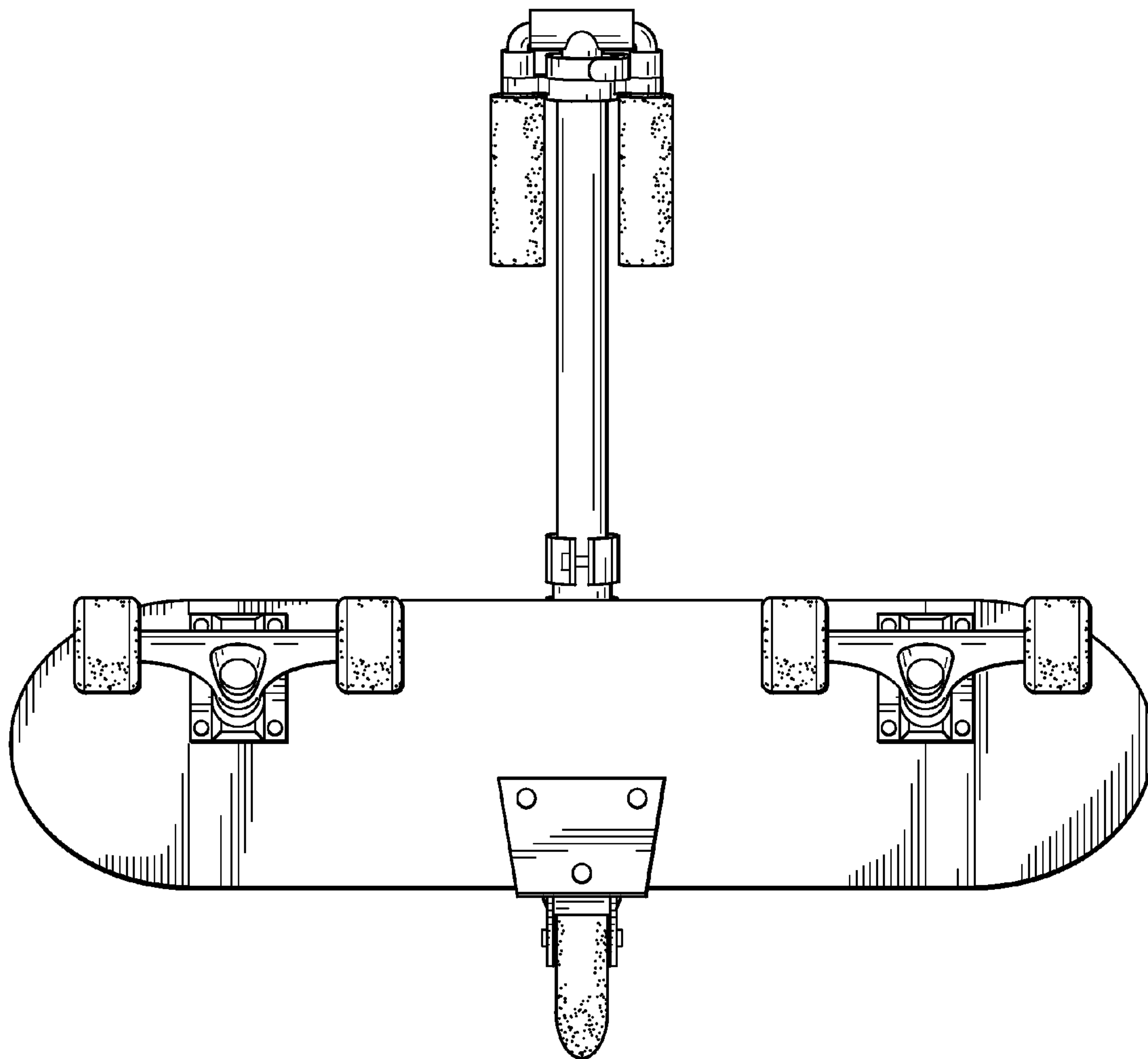


FIG. 12

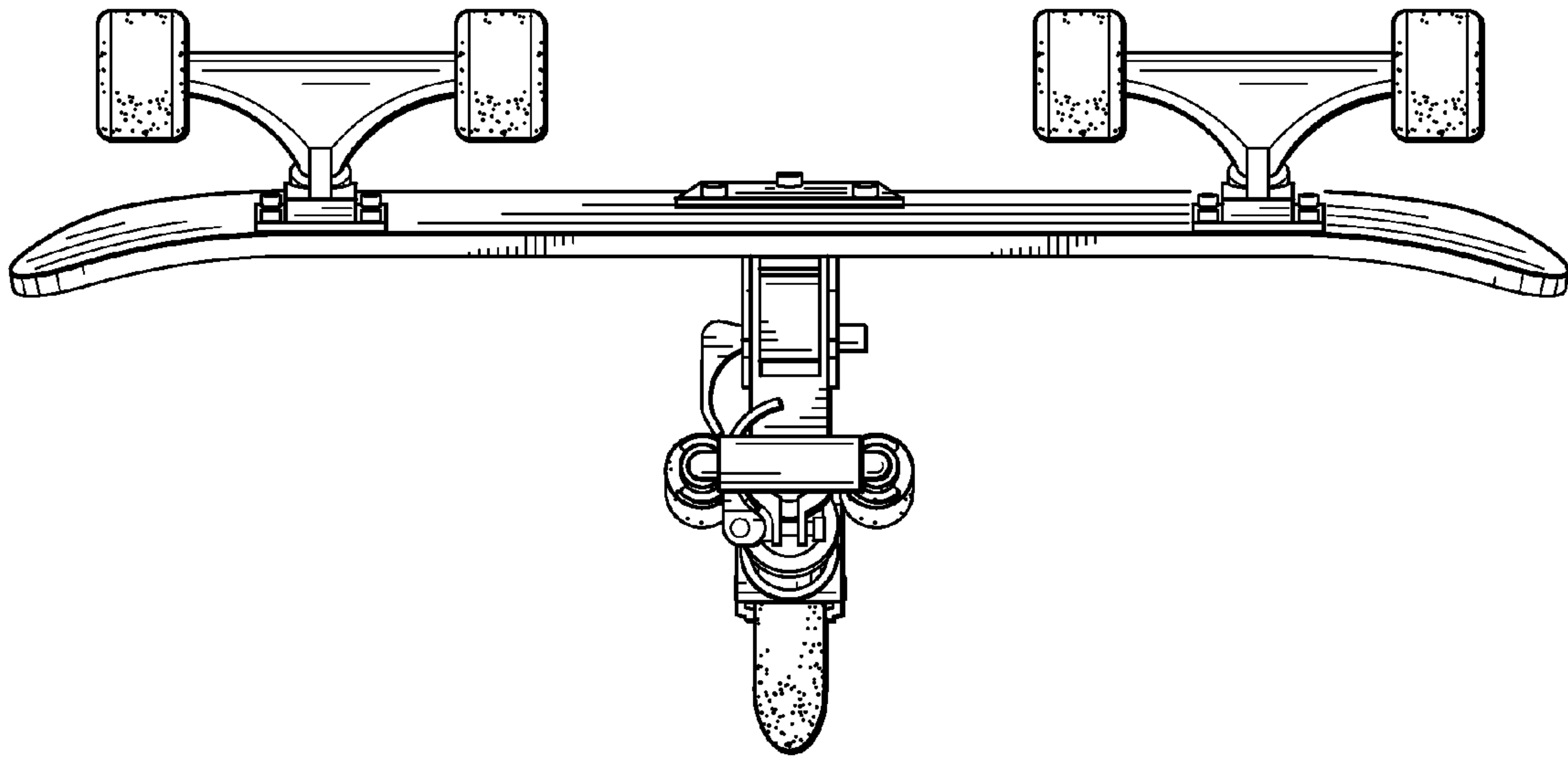


FIG. 13

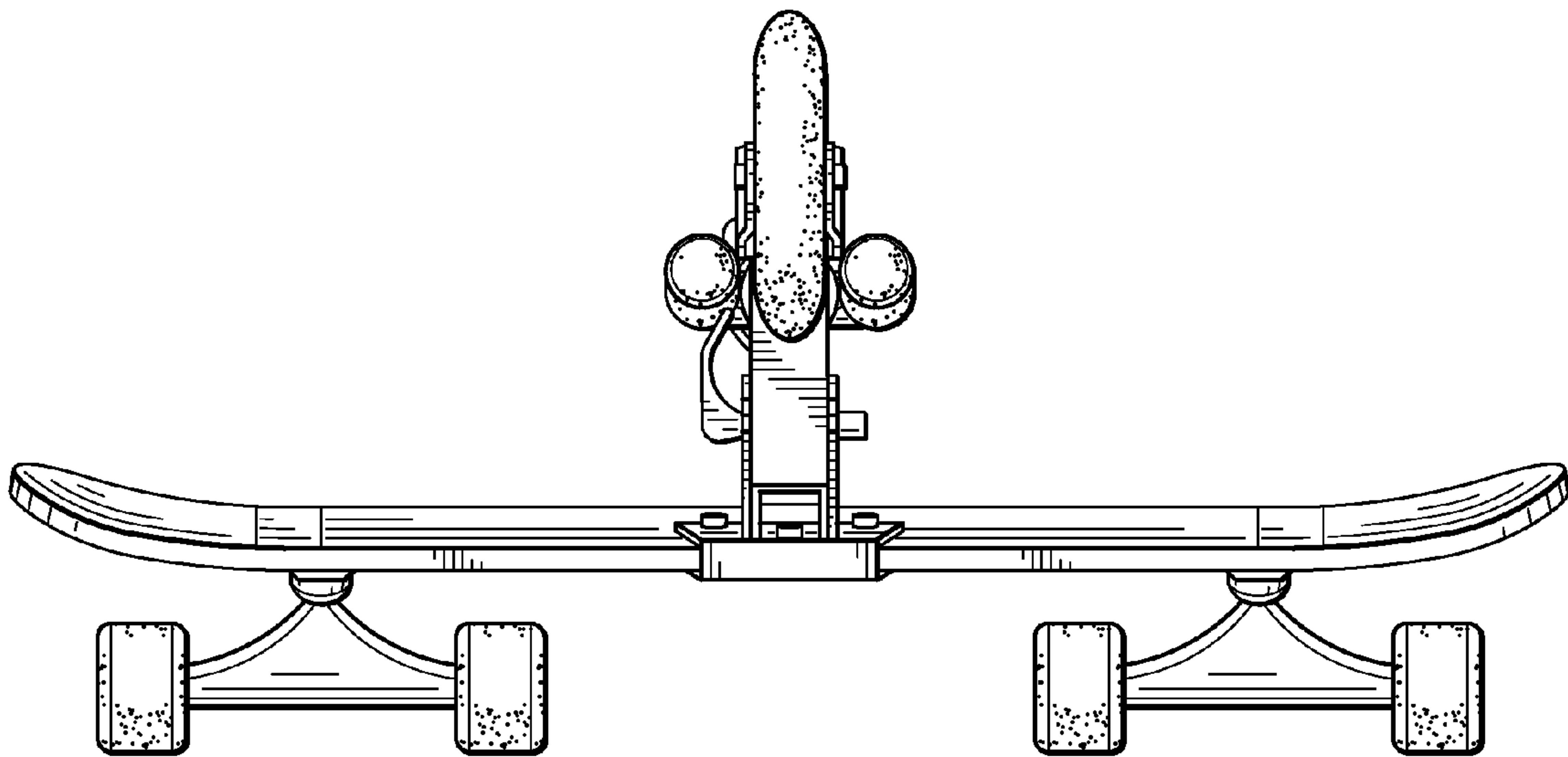


FIG. 14