

US00D641795S

(12) **United States Design Patent**  
**Gamboa**

(10) **Patent No.:** **US D641,795 S**

(45) **Date of Patent:** **\*\* Jul. 19, 2011**

(54) **PROTECTIVE PAPER HOLDER**

(75) Inventor: **Ricardo Gamboa**, Monterey Park, CA (US)

(73) Assignee: **BORG Unlimited Inc.**, Monterey Park, CA (US)

(\*\*) Term: **14 Years**

(21) Appl. No.: **29/375,522**

(22) Filed: **Sep. 23, 2010**

**Related U.S. Application Data**

(63) Continuation of application No. 11/943,132, filed on Nov. 20, 2007, now abandoned.

(51) **LOC (9) Cl.** ..... **20-03**

(52) **U.S. Cl.** ..... **D20/43**

(58) **Field of Classification Search** ..... D20/10, D20/11, 19, 22-26, 40, 42, 43, 99; 40/124.01-124.09, 124.11, 124.19, 299.01, 40/316, 446, 625-629, 642.02, 649, 661, 40/661.02, 661.08, 662; D19/26, 33; 150/147; 224/600, 603; 353/120  
See application file for complete search history.

(56) **References Cited**

**U.S. PATENT DOCUMENTS**

1,995,518 A \* 3/1935 Perry ..... 150/147  
2,725,913 A \* 12/1955 Horwin ..... 150/147  
4,856,214 A \* 8/1989 Machen ..... 40/316

D312,835 S \* 12/1990 Holm ..... D19/33  
D322,097 S \* 12/1991 Fritz ..... D20/42  
5,335,027 A \* 8/1994 Lin et al. .... 353/120  
D460,119 S \* 7/2002 Tomai ..... D20/40  
6,752,305 B2 \* 6/2004 Shattuck ..... 224/603  
2005/0262748 A1 \* 12/2005 Curtis ..... 40/649  
2007/0289186 A1 \* 12/2007 Wallace ..... 40/661  
2008/0115396 A1 \* 5/2008 Gamboa ..... 40/661

\* cited by examiner

*Primary Examiner* — Mary Ann Calabrese

(74) *Attorney, Agent, or Firm* — Kelly Lowry & Kelley, LLP

(57) **CLAIM**

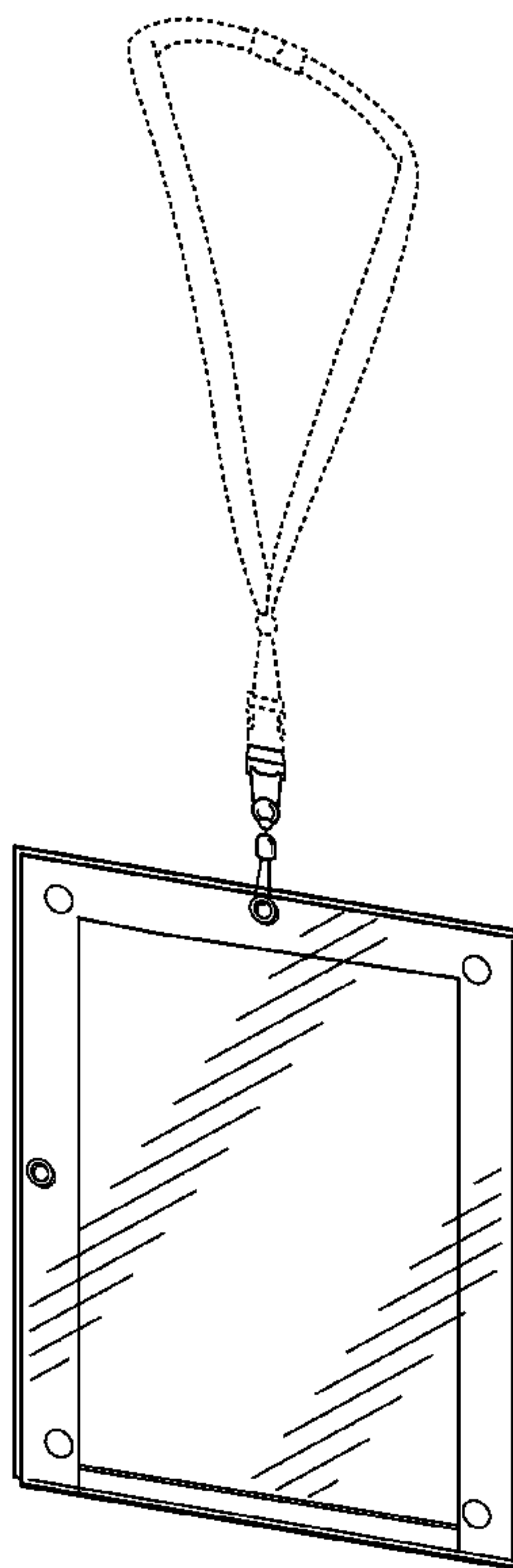
The ornamental design for a protective paper holder, as shown and described.

**DESCRIPTION**

FIG. 1 is a front perspective view of a protective paper holder embodying my new design;  
FIG. 2 is a front elevational view thereof;  
FIG. 3 is a rear elevational view thereof;  
FIG. 4 is a left-side elevational view thereof;  
FIG. 5 is a right-side elevational view thereof;  
FIG. 6 is a top plan view thereof;  
FIG. 7 is a bottom plan view thereof; and,  
FIG. 8 is a front elevational view thereof in open configuration.

In the drawings, the broken lines illustrate environment and form no part of the claimed design.

**1 Claim, 2 Drawing Sheets**



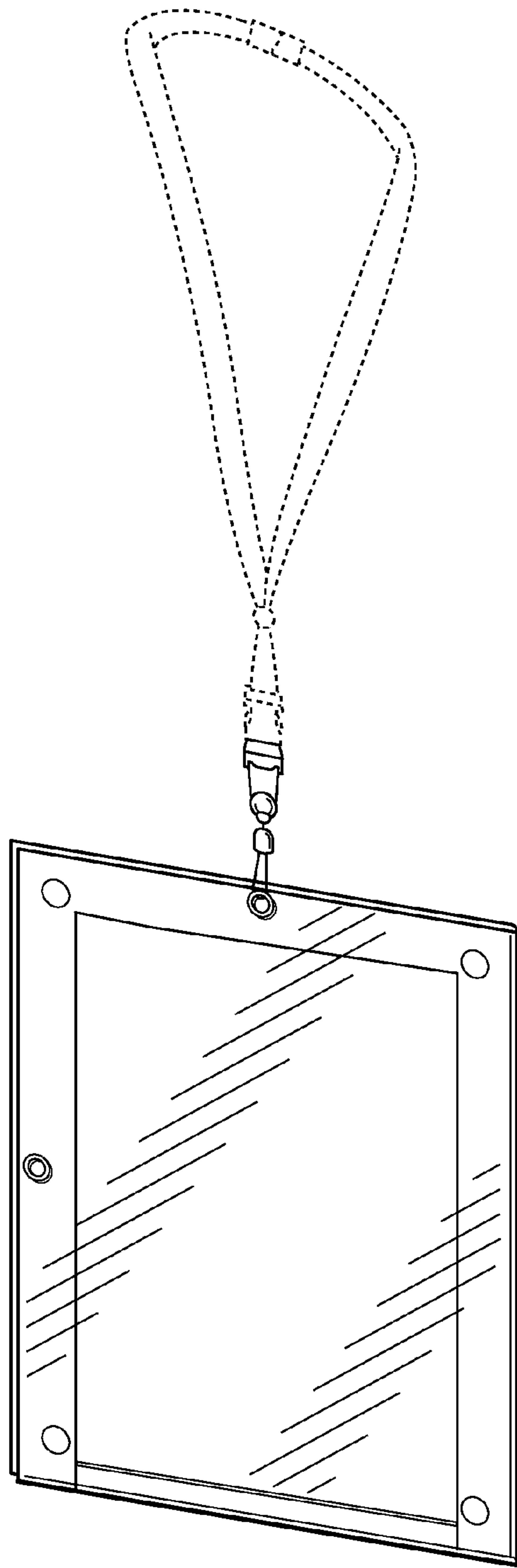


FIG. 1

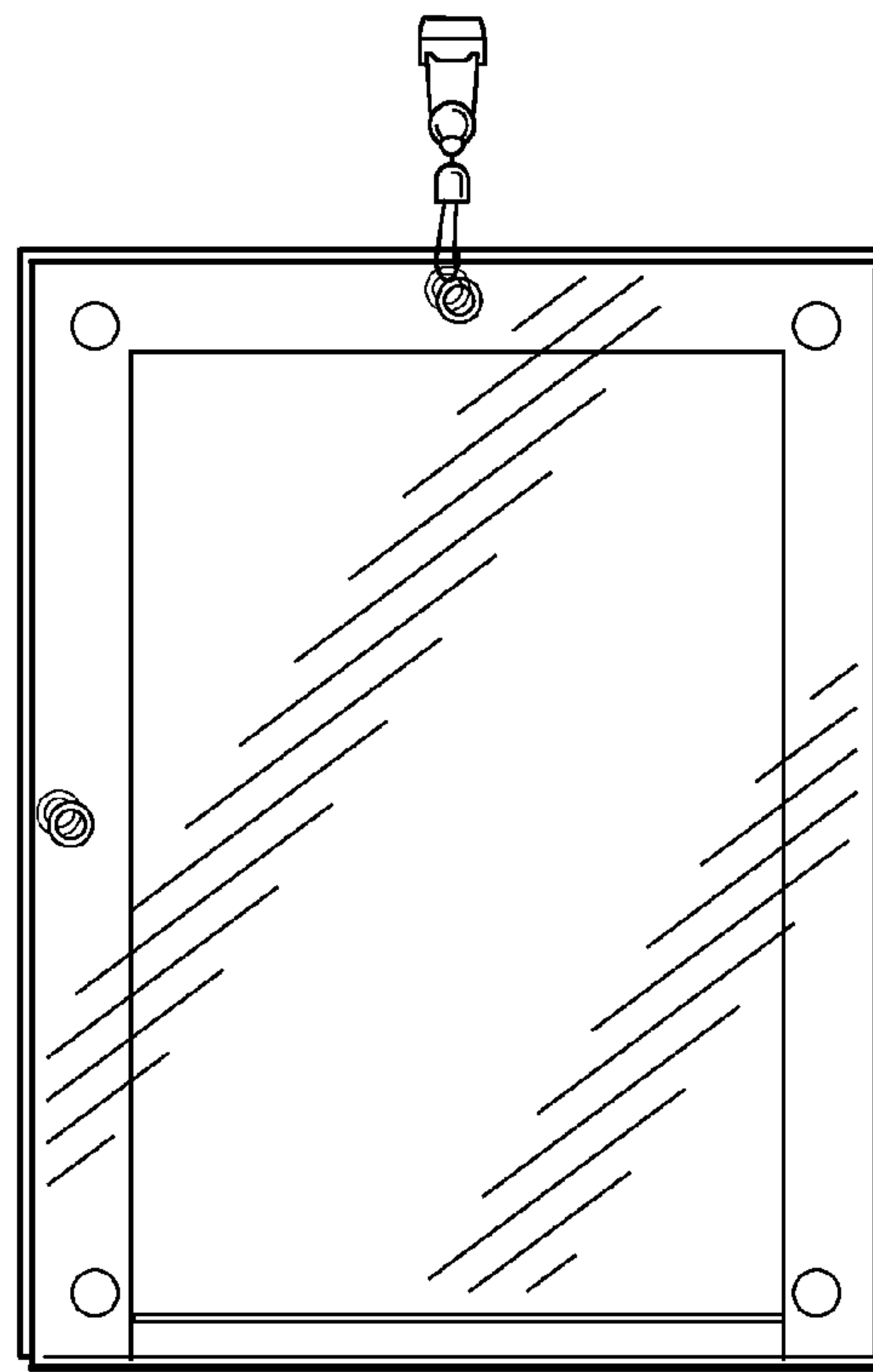


FIG. 2

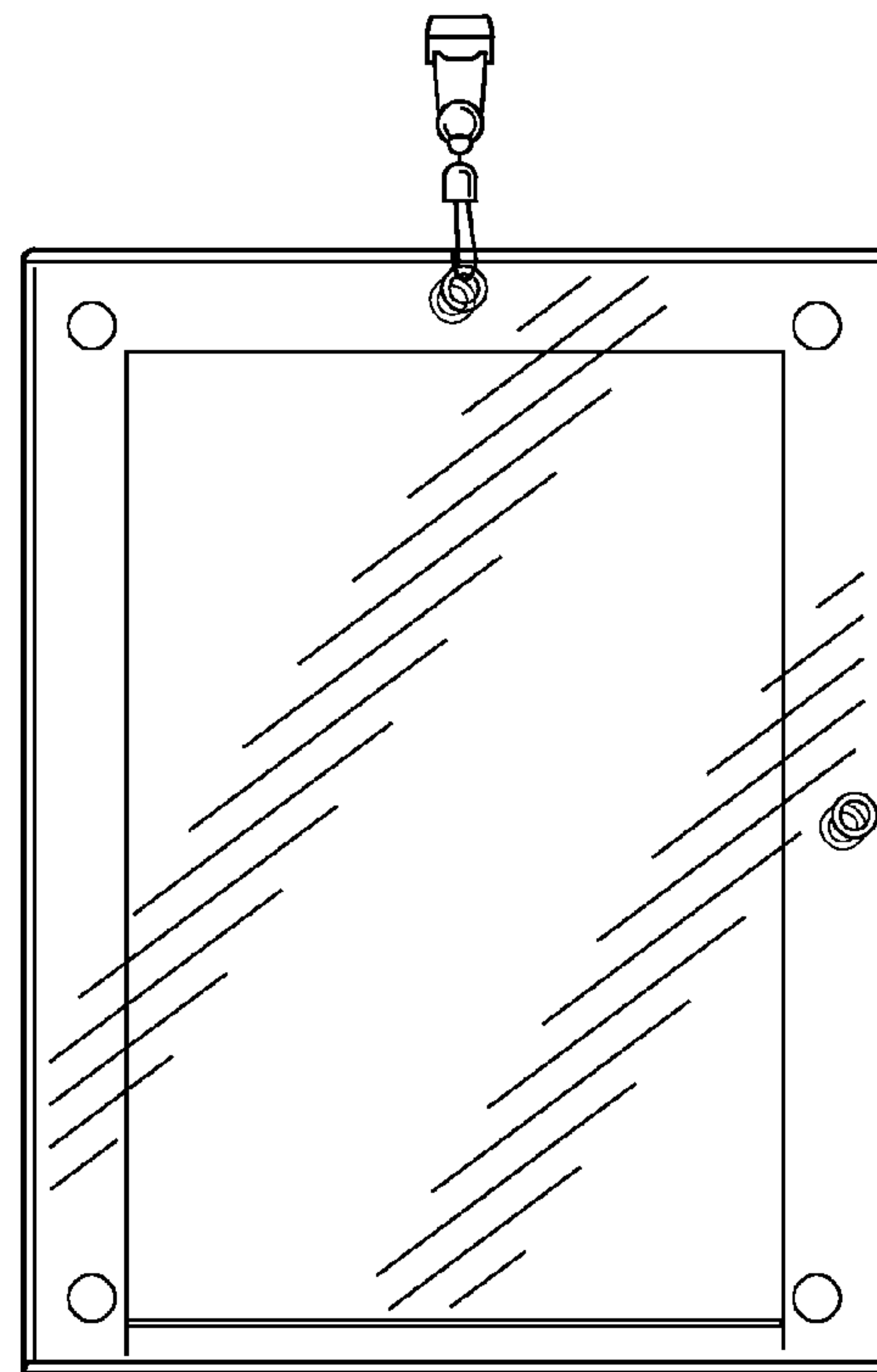


FIG. 3

FIG. 4



FIG. 5



FIG. 6



FIG. 7

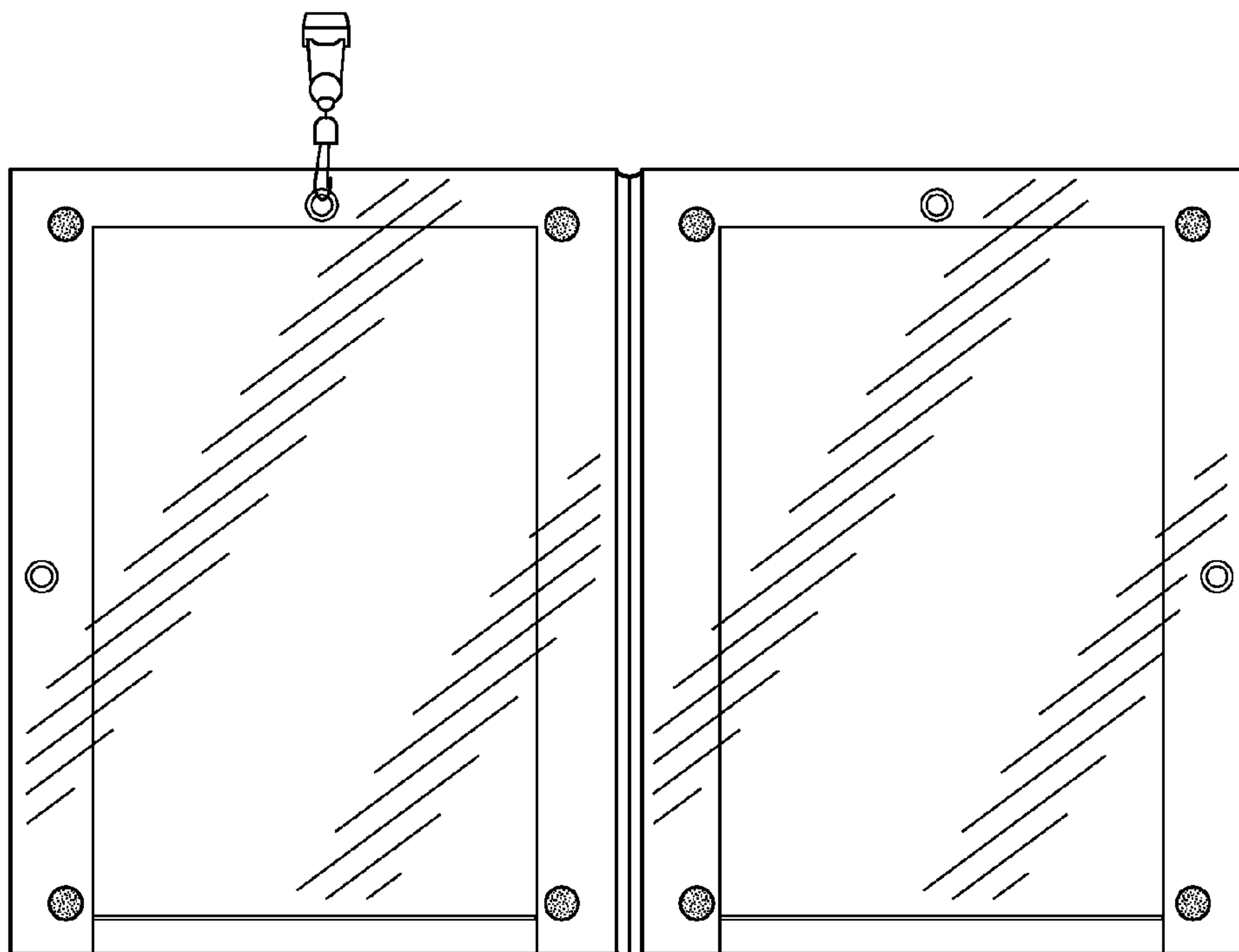


FIG. 8