



US00D641793S

(12) **United States Design Patent**
Dumontier

(10) **Patent No.:** **US D641,793 S**

(45) **Date of Patent:** **** Jul. 19, 2011**

(54) **SIGN POST**

(75) Inventor: **Raymond Dumontier**, Boucherville (CA)

(73) Assignee: **Super Impression Inc.**, Rivière-Des-Prairies (CA)

(**) Term: **14 Years**

(21) Appl. No.: **29/375,591**

(22) Filed: **Sep. 24, 2010**

(51) **LOC (9) Cl.** **20-02**

(52) **U.S. Cl.** **D20/41**

(58) **Field of Classification Search** D20/10,

D20/19, 21, 39-43, 99; 40/446, 538.541, 40/606.01, 606.03, 606.13-606.16, 607.01-607.09, 40/607.1, 608; D10/109; 248/545; 362/812

See application file for complete search history.

(56) **References Cited**

U.S. PATENT DOCUMENTS

4,258,494	A	3/1981	Borque	
4,357,772	A	11/1982	Amick et al.	
4,483,506	A *	11/1984	Litwiller	248/545
D285,220	S *	8/1986	Cooper et al.	D20/42
4,790,092	A *	12/1988	Farmer	40/607.09
4,793,082	A	12/1988	Petrick et al.	
4,843,746	A *	7/1989	DesNoyers et al.	40/607.04
D399,263	S *	10/1998	Christopher	D20/41
D410,253	S *	5/1999	Gagnon	D20/41
5,903,991	A *	5/1999	Sasse	40/607.04

7,089,694	B2	8/2006	Allen	
D528,241	S	9/2006	Herman	
D558,274	S *	12/2007	Geeves	D20/41
2006/0042138	A1	3/2006	Lavelle	
2006/0185203	A1	8/2006	Bittle et al.	
2008/0016736	A1	1/2008	Tollis et al.	

FOREIGN PATENT DOCUMENTS

CA	1276786	8/1987
CA	2128316	5/2001
CA	2341919	9/2002

* cited by examiner

Primary Examiner — Mary Ann Calabrese

(74) *Attorney, Agent, or Firm* — Goudreau Gage Dubuc; Gwendoline Bruneau

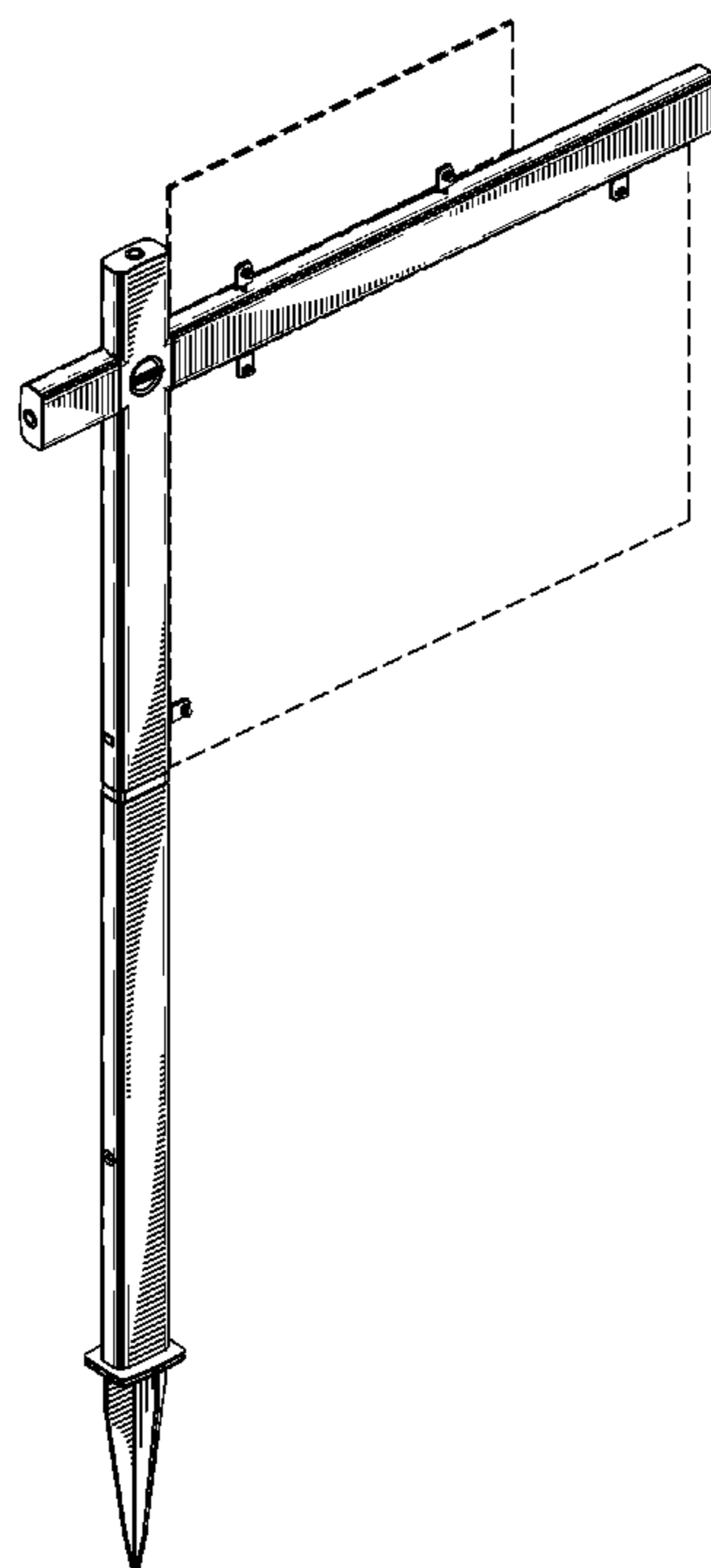
(57) **CLAIM**

The ornamental design for a sign post, as shown and described.

DESCRIPTION

FIG. 1 is a front perspective view of a sign post, the broken lines forming no part of the claimed design; FIG. 2 is a front view of the sign post of FIG. 1; FIG. 3 is a rear view of the sign post of FIG. 1; FIG. 4 is a view from a first side of the sign post of FIG. 1; FIG. 5 is a view from a second side of the sign post of FIG. 1; FIG. 6 is top view of the sign post of FIG. 1; and, FIG. 7 is a bottom of the sign post of FIG. 1.

1 Claim, 5 Drawing Sheets



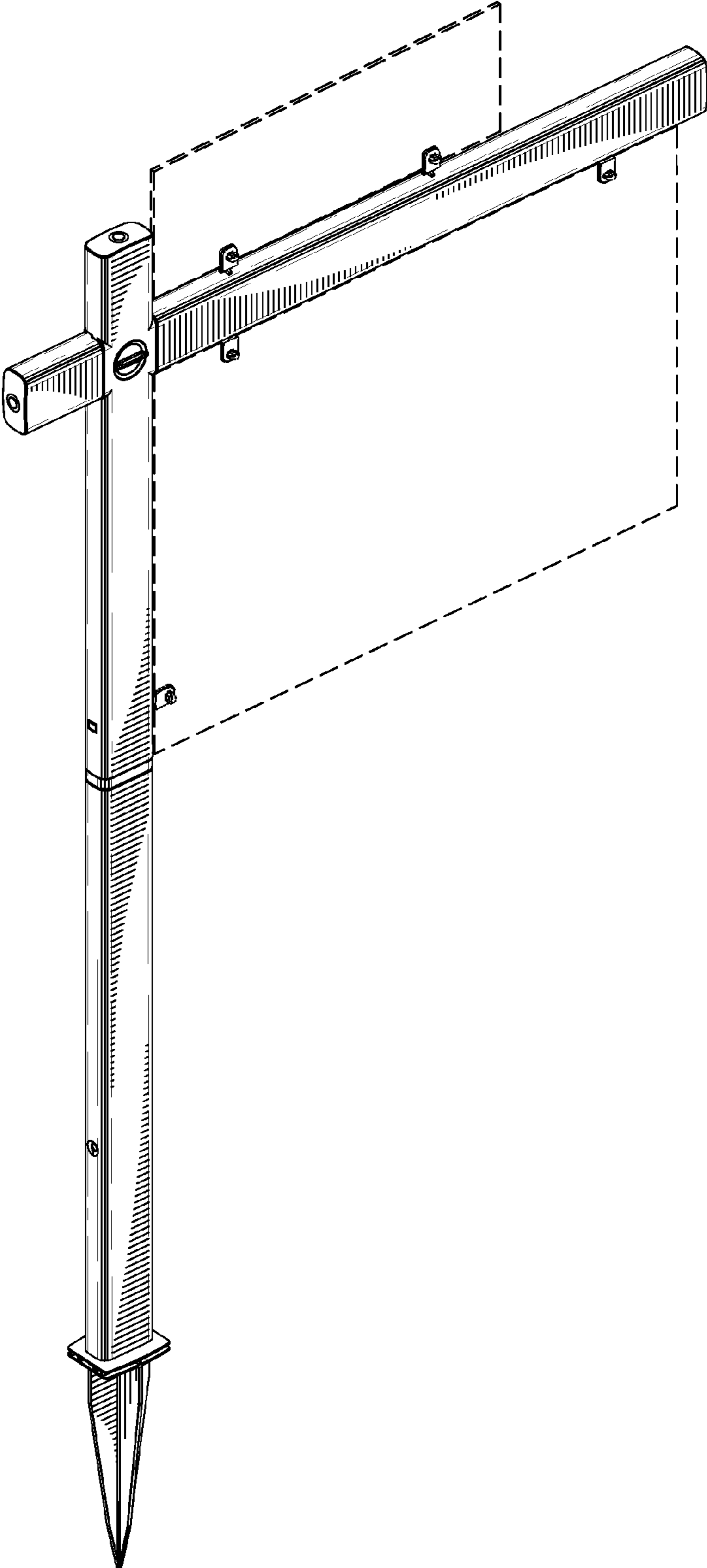


Fig-1

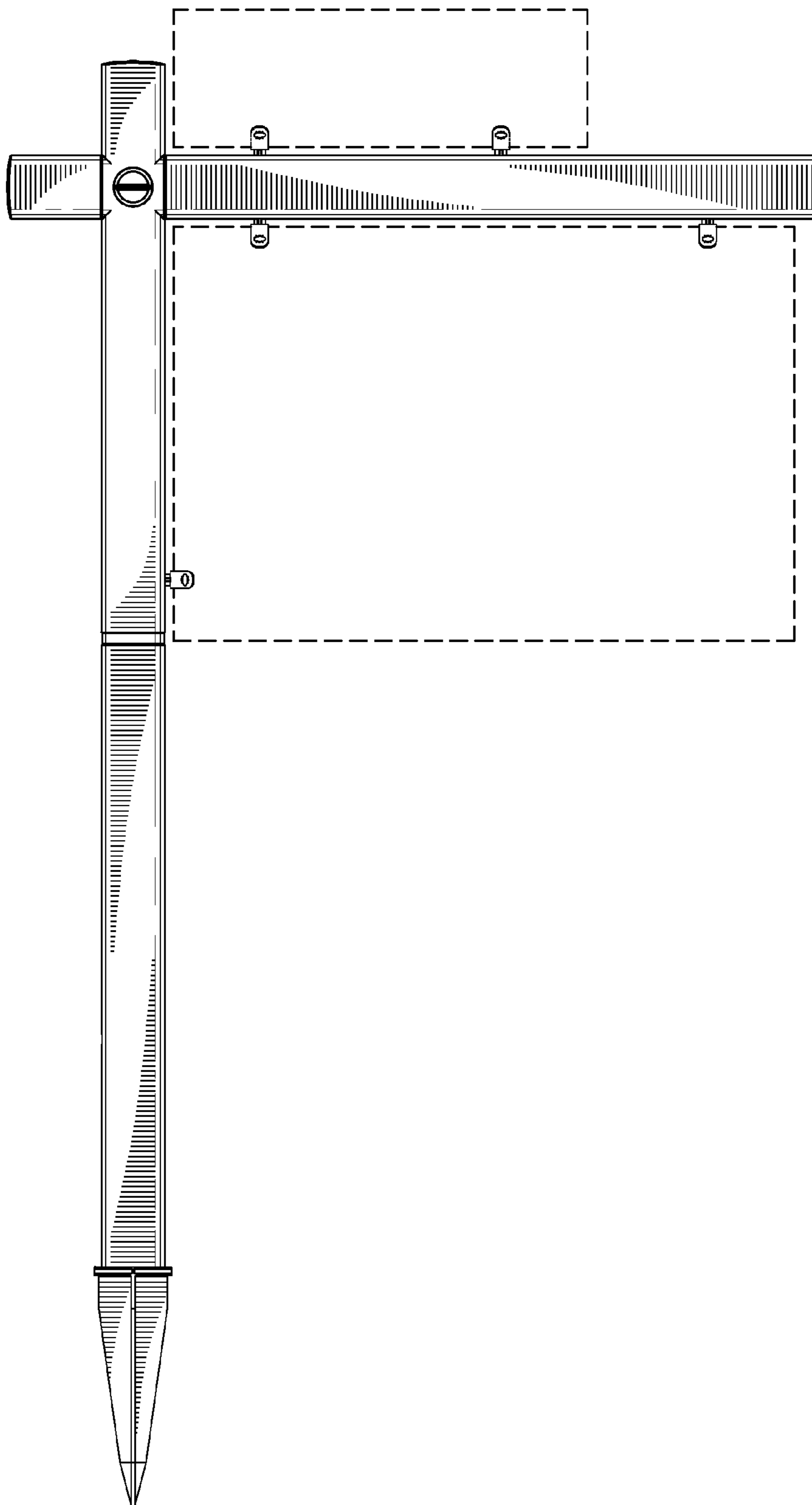


Fig-2

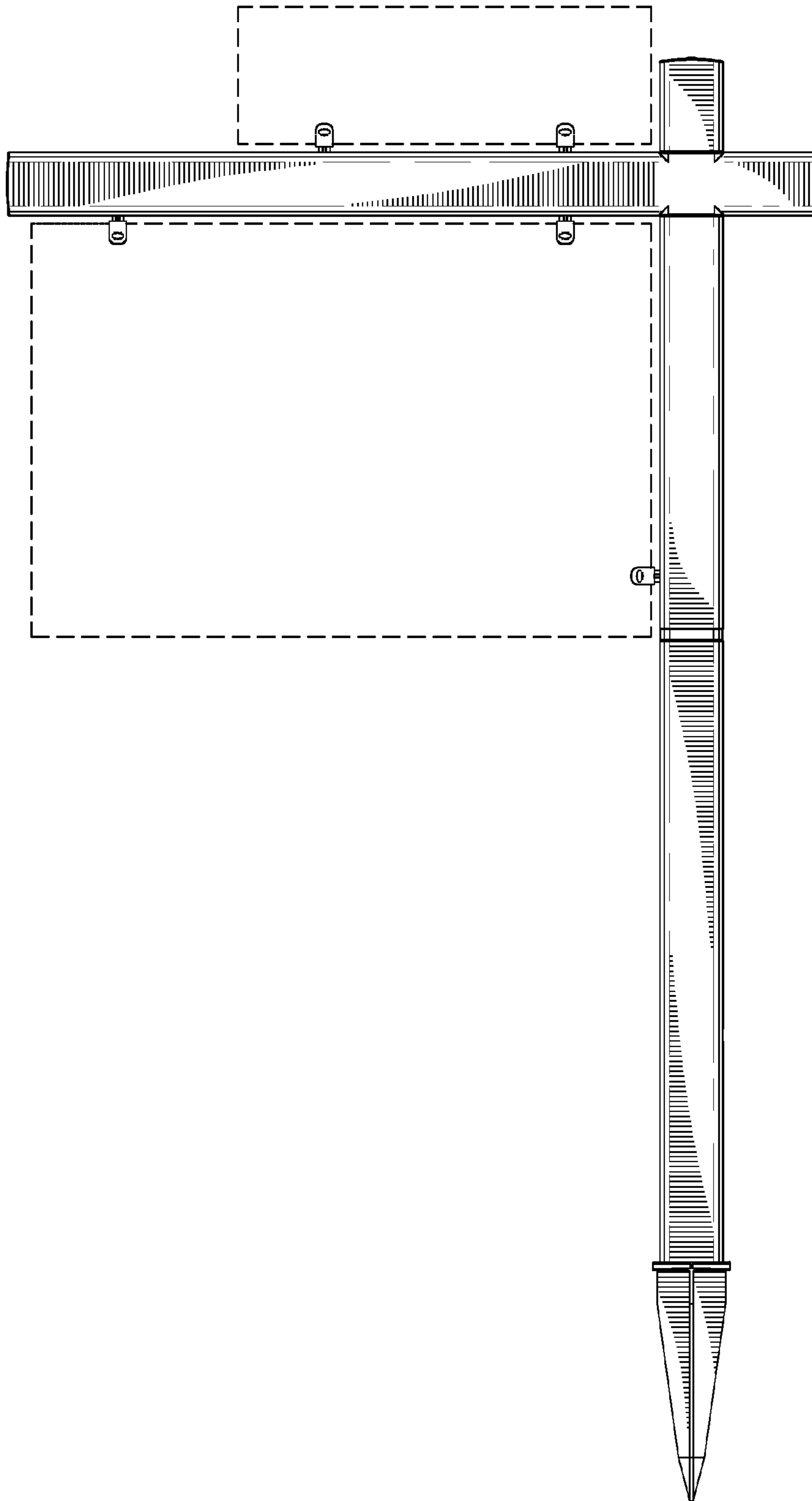


Fig-3

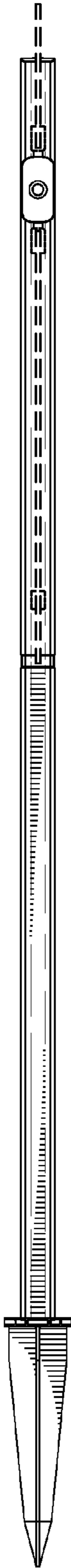


Fig-4

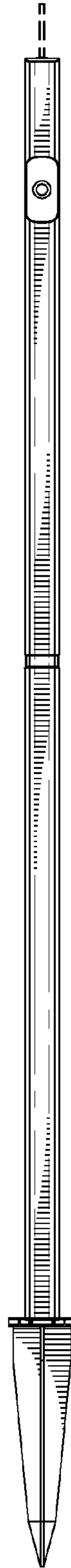


Fig-5

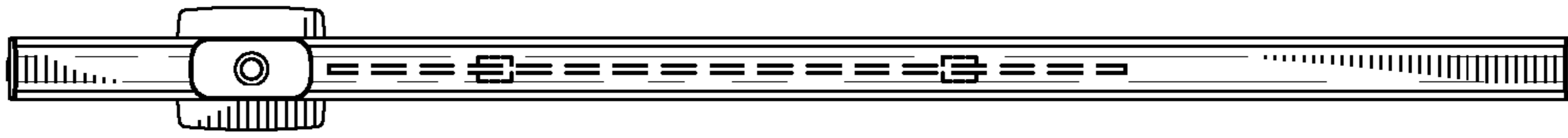


Fig-6

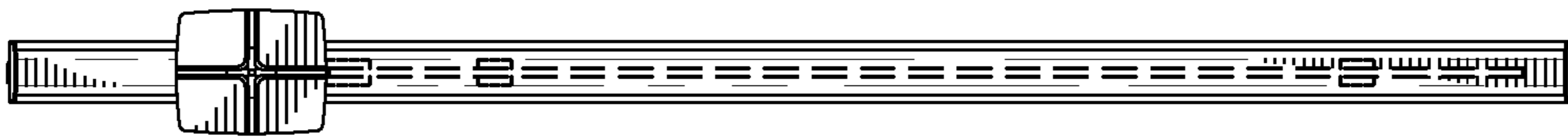


Fig-7