



US00D641789S

(12) **United States Design Patent**
Gallay et al.

(10) **Patent No.:** **US D641,789 S**
(45) **Date of Patent:** **** Jul. 19, 2011**

(54) **CORRECTION TAPE DISPENSER**

(75) Inventors: **Fabrice Gallay**, Paris (FR); **Jason J. Cooper**, Watertown, MA (US); **Jan Schminke**, Marshfield, MA (US)

(73) Assignee: **Sanford L.P.**, Oak Brook, IL (US)

(**) Term: **14 Years**

(21) Appl. No.: **29/361,795**

(22) Filed: **May 14, 2010**

(51) **LOC (9) Cl.** **19-02**

(52) **U.S. Cl.** **D19/67**

(58) **Field of Classification Search** D19/70,
D19/69, 36, 68, 67; 242/588.6, 588.2; 225/77,
225/6, 56, 39, 26, 25, 19, 11, 34; 206/411;
156/577, 527, 523

See application file for complete search history.

(56) **References Cited**

U.S. PATENT DOCUMENTS

5,430,904	A *	7/1995	Ono et al.	15/104.94
D438,251	S *	2/2001	Katami	D19/69
D476,369	S *	6/2003	Suzuki	D19/69
D506,508	S *	6/2005	Shimizu et al.	D19/69
7,121,499	B2 *	10/2006	Lammers et al.	242/588.6
D547,804	S *	7/2007	Wu	D19/69
D555,201	S *	11/2007	Rushe et al.	D19/69
D567,860	S *	4/2008	Rushe et al.	D19/69
D577,384	S *	9/2008	Lin	D19/69
2005/0056376	A1 *	3/2005	Marschand et al.	156/540
2006/0257195	A1 *	11/2006	Chen	400/697

* cited by examiner

Primary Examiner — Austin Murphy

(74) *Attorney, Agent, or Firm* — Marshall, Gerstein & Borun LLP

(57) **CLAIM**

We claim the ornamental design for a correction tape dispenser, as shown and described.

DESCRIPTION

FIG. 1 is a perspective view showing my new design for a correction tape dispenser;

FIG. 2 is a left side view of the correction tape dispenser of FIG. 1;

FIG. 3 is a right view of the correction tape dispenser of FIG. 1;

FIG. 4 is a top plan of the correction tape dispenser of FIG. 1;

FIG. 5 is a bottom plan view of the correction tape dispenser of FIG. 1;

FIG. 6 is a front view of the correction tape dispenser of FIG. 1;

FIG. 7 is a rear view of the correction tape dispenser of FIG. 1;

FIG. 8 is a perspective view of the correction tape dispenser of FIG. 1 shown in an alternate position;

FIG. 9 is a perspective view showing a second embodiment of my new design for a correction tape dispenser;

FIG. 10 is a left side view of the correction tape dispenser of FIG. 9;

FIG. 11 is a right view of the correction tape dispenser of FIG. 9;

FIG. 12 is a top plan of the correction tape dispenser of FIG. 9;

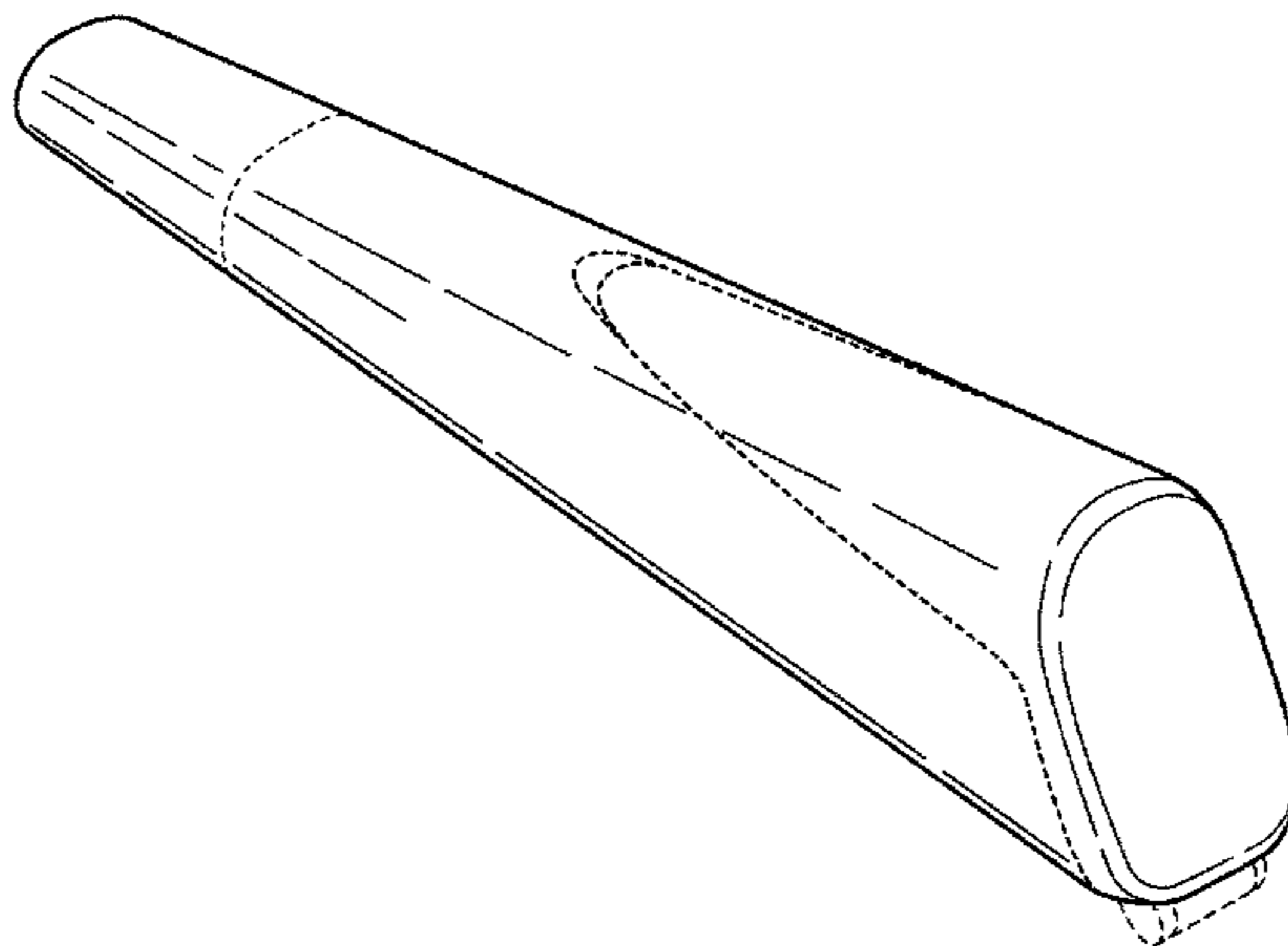
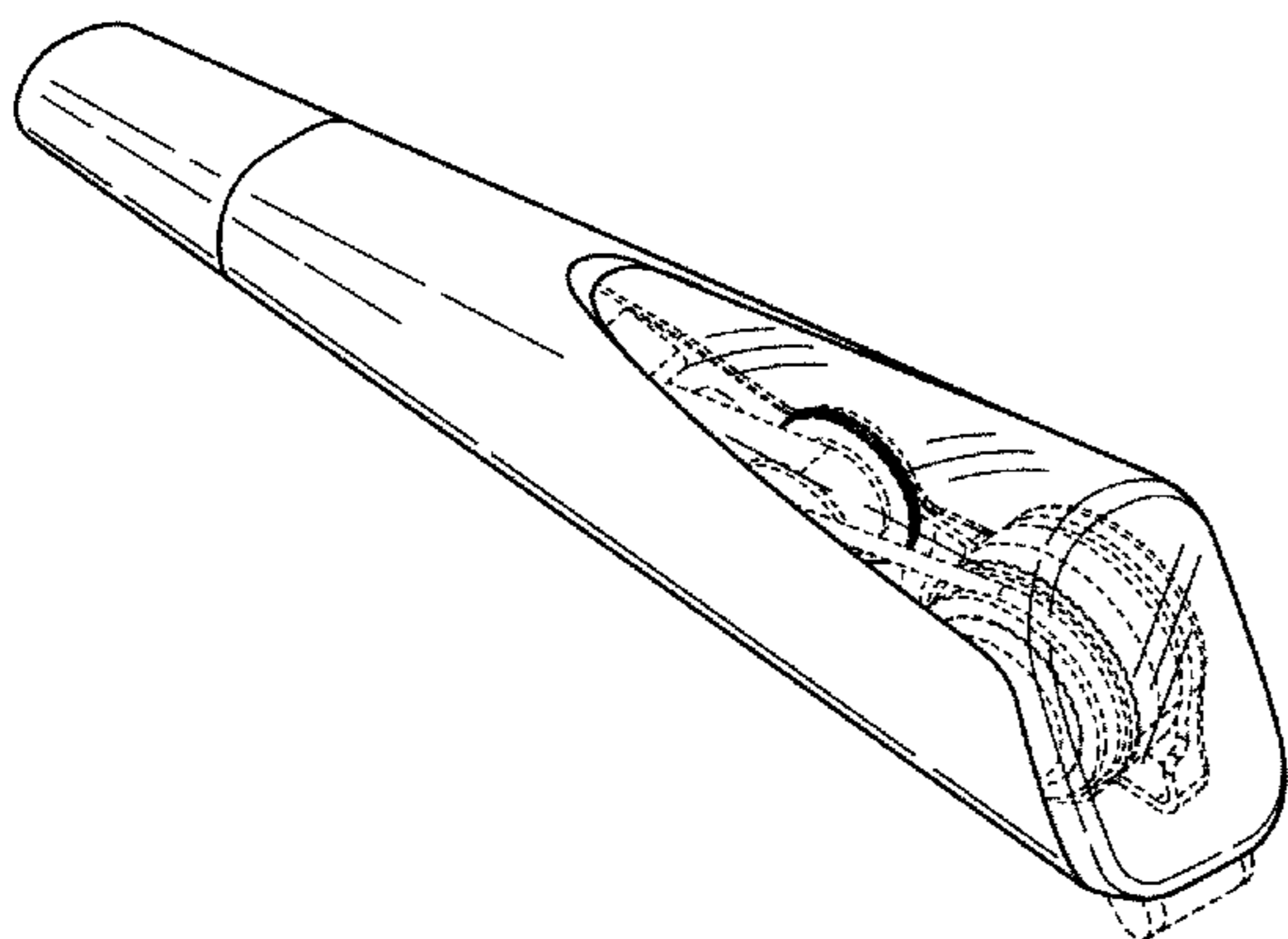
FIG. 13 is a bottom plan view of the correction tape dispenser of FIG. 9;

FIG. 14 is a front view of the correction tape dispenser of FIG. 9; and,

FIG. 15 is a rear view of the correction tape dispenser of FIG. 9.

The broken lines showing portions of the correction tape dispenser are included for the purpose of illustrating environment and form no part of the claimed design.

1 Claim, 5 Drawing Sheets



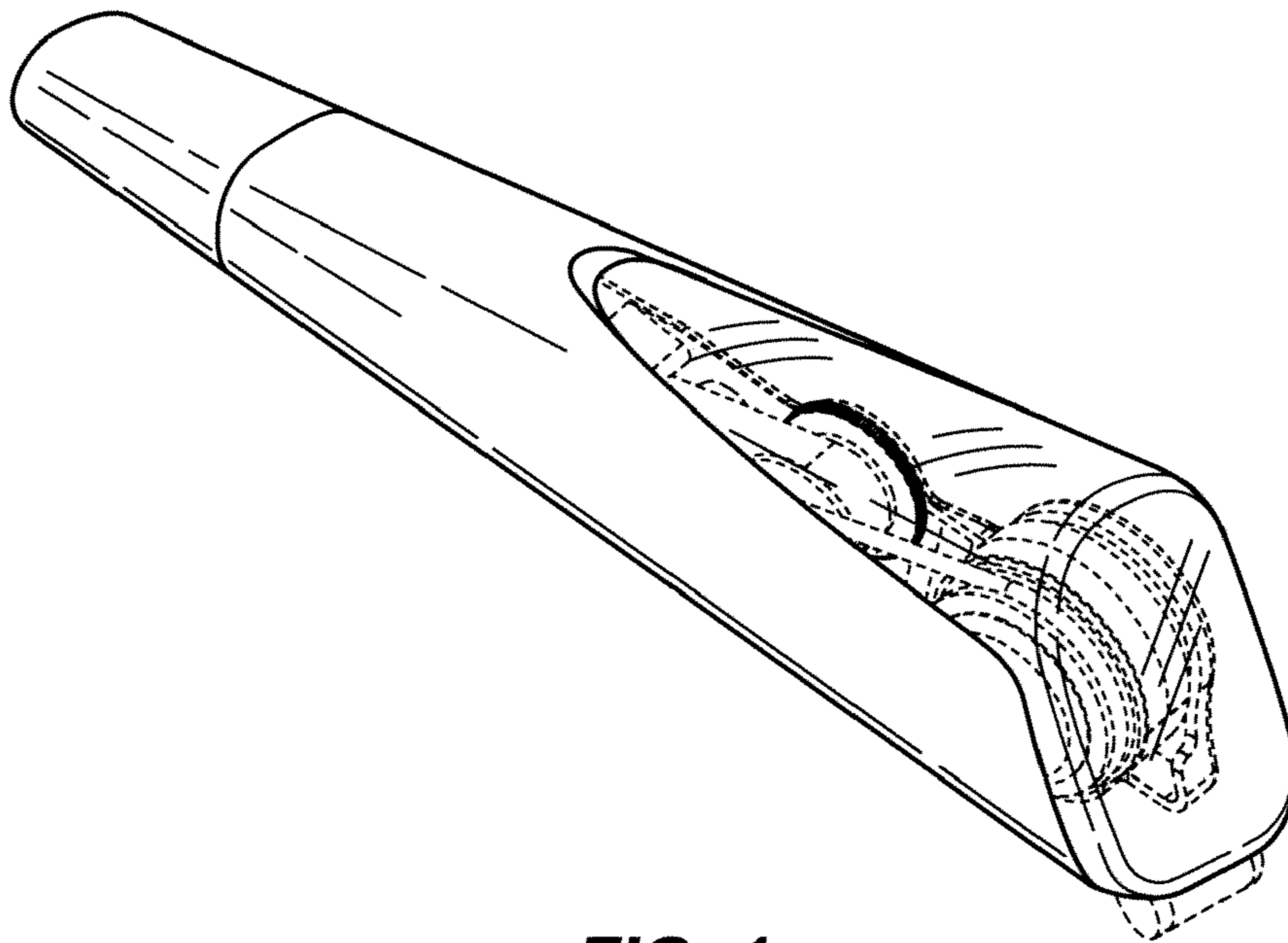


FIG. 1

FIG. 2

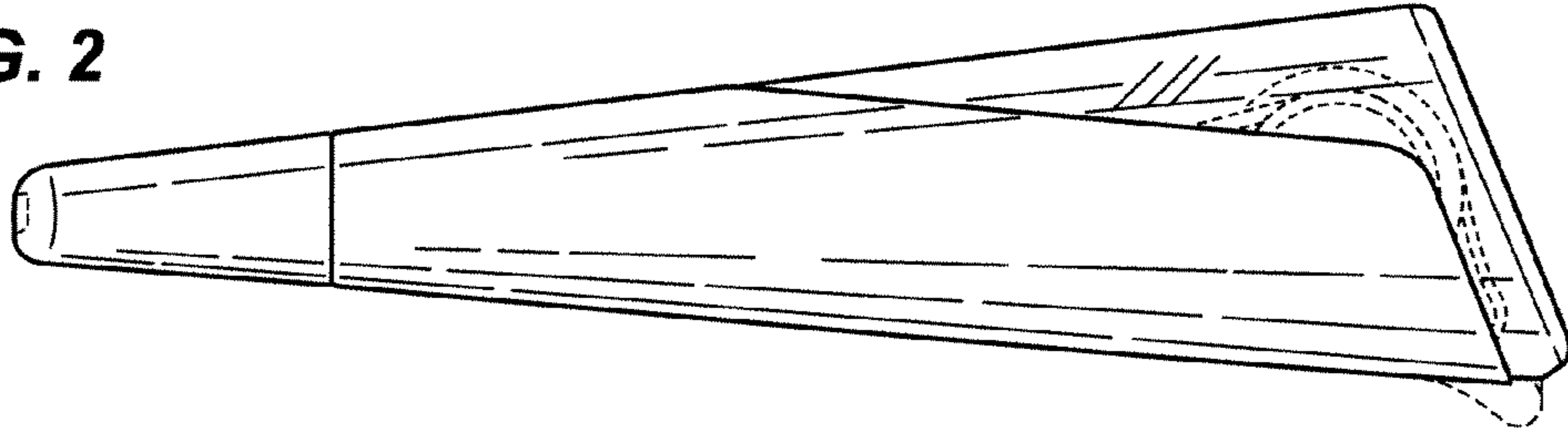


FIG. 3

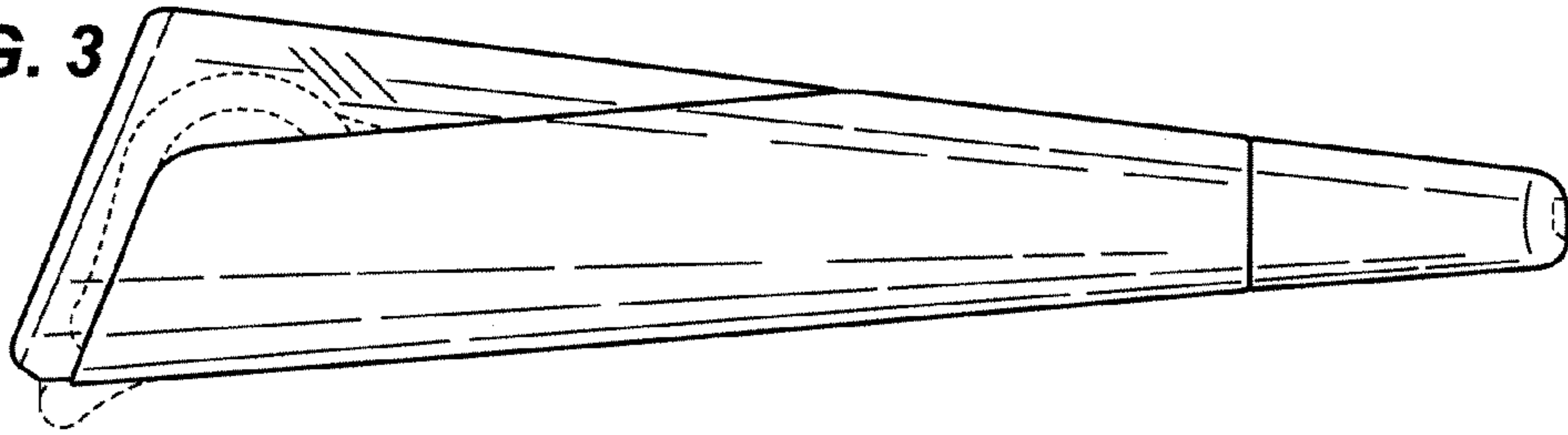


FIG. 4

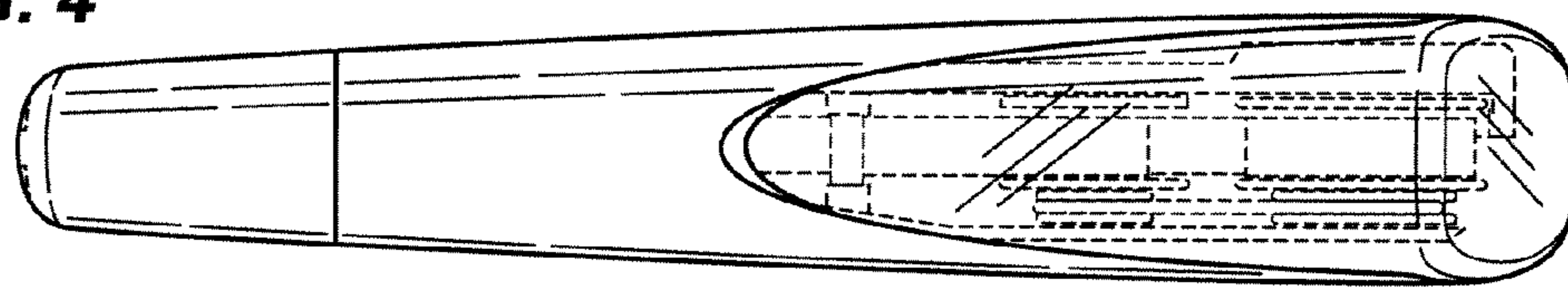


FIG. 5

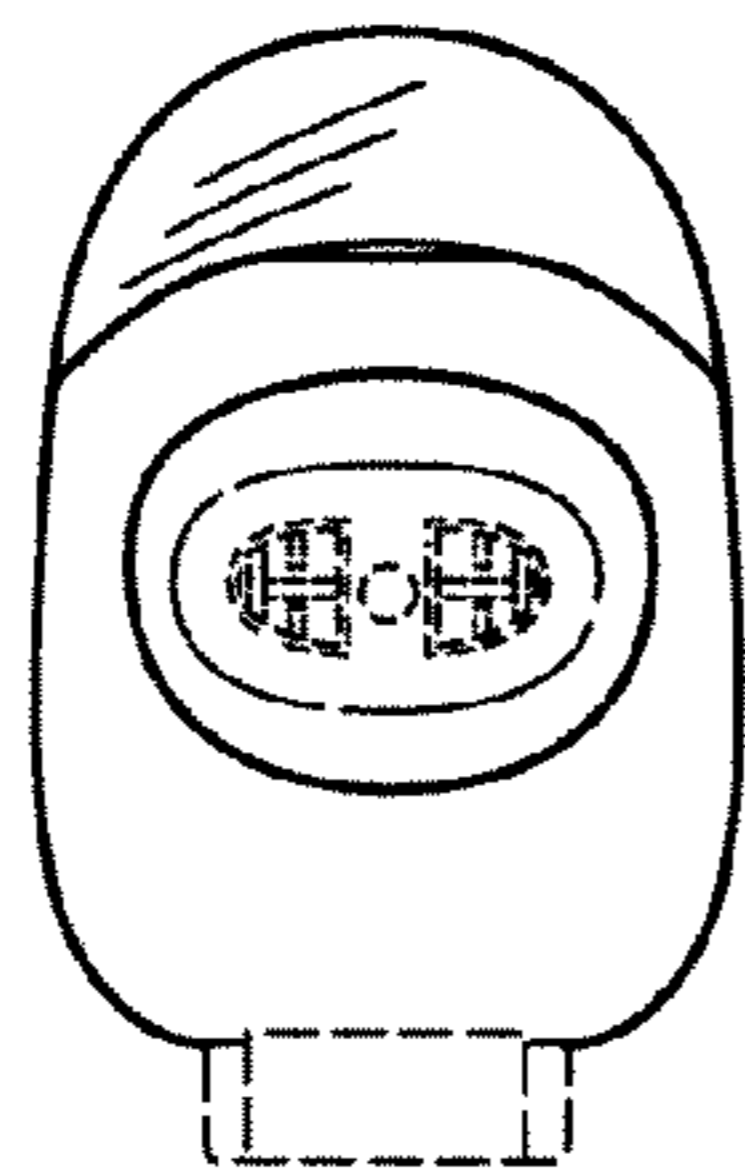
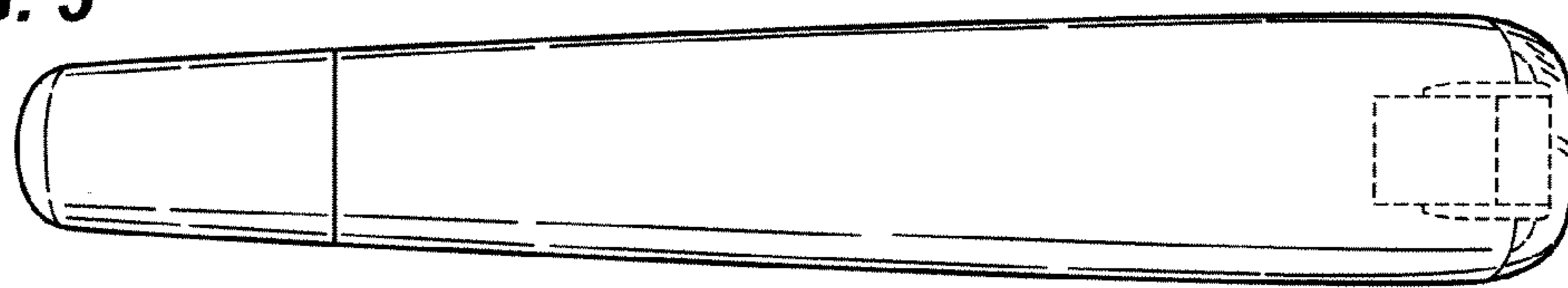


FIG. 6

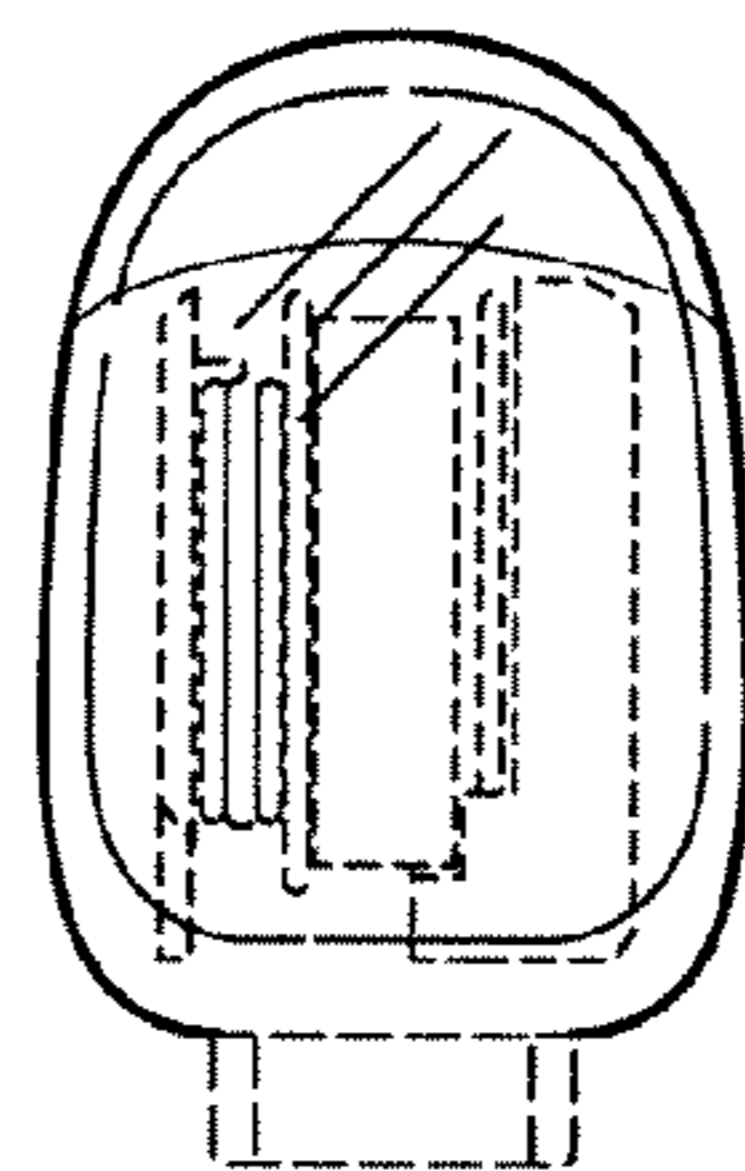


FIG. 7

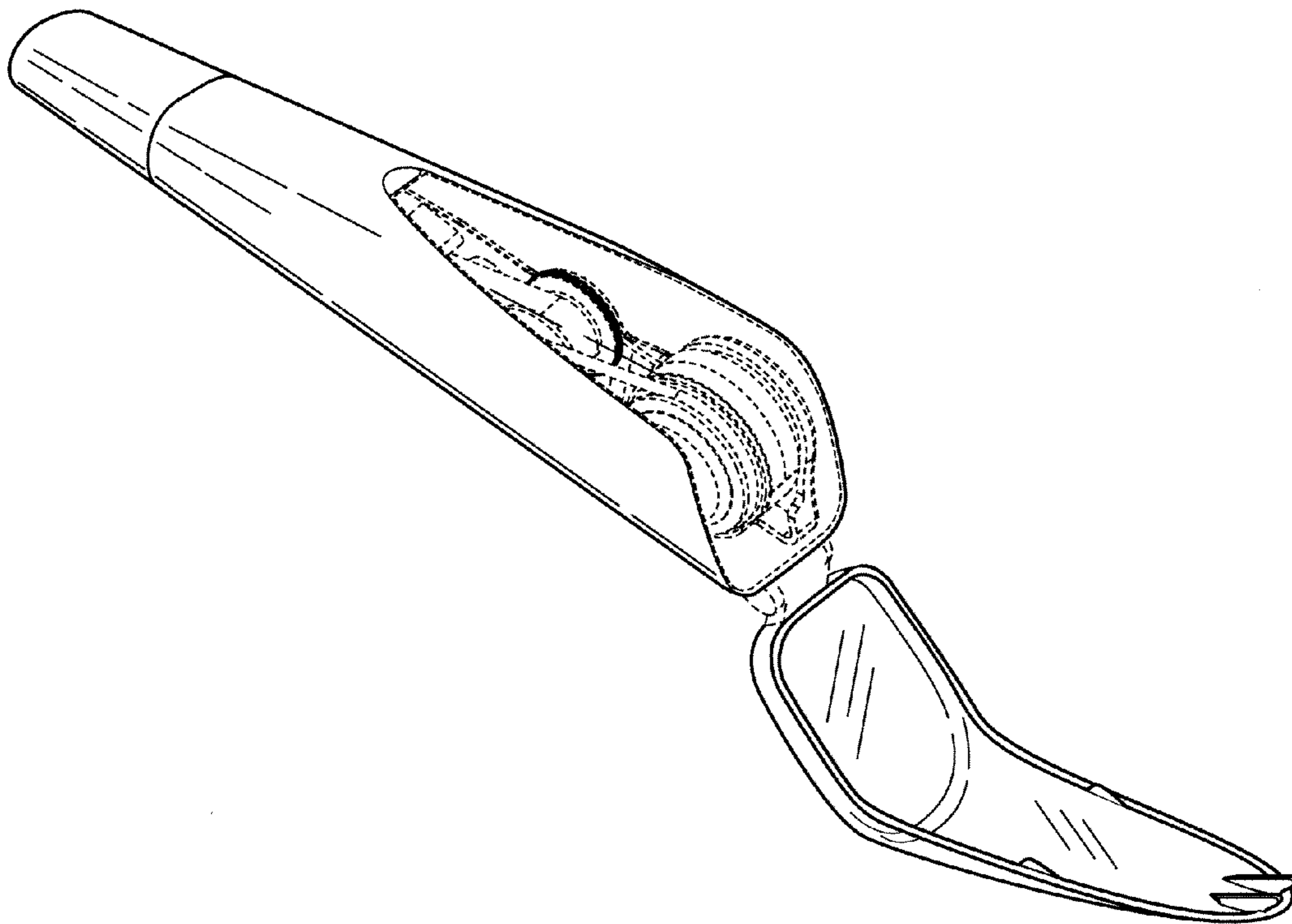


FIG. 8

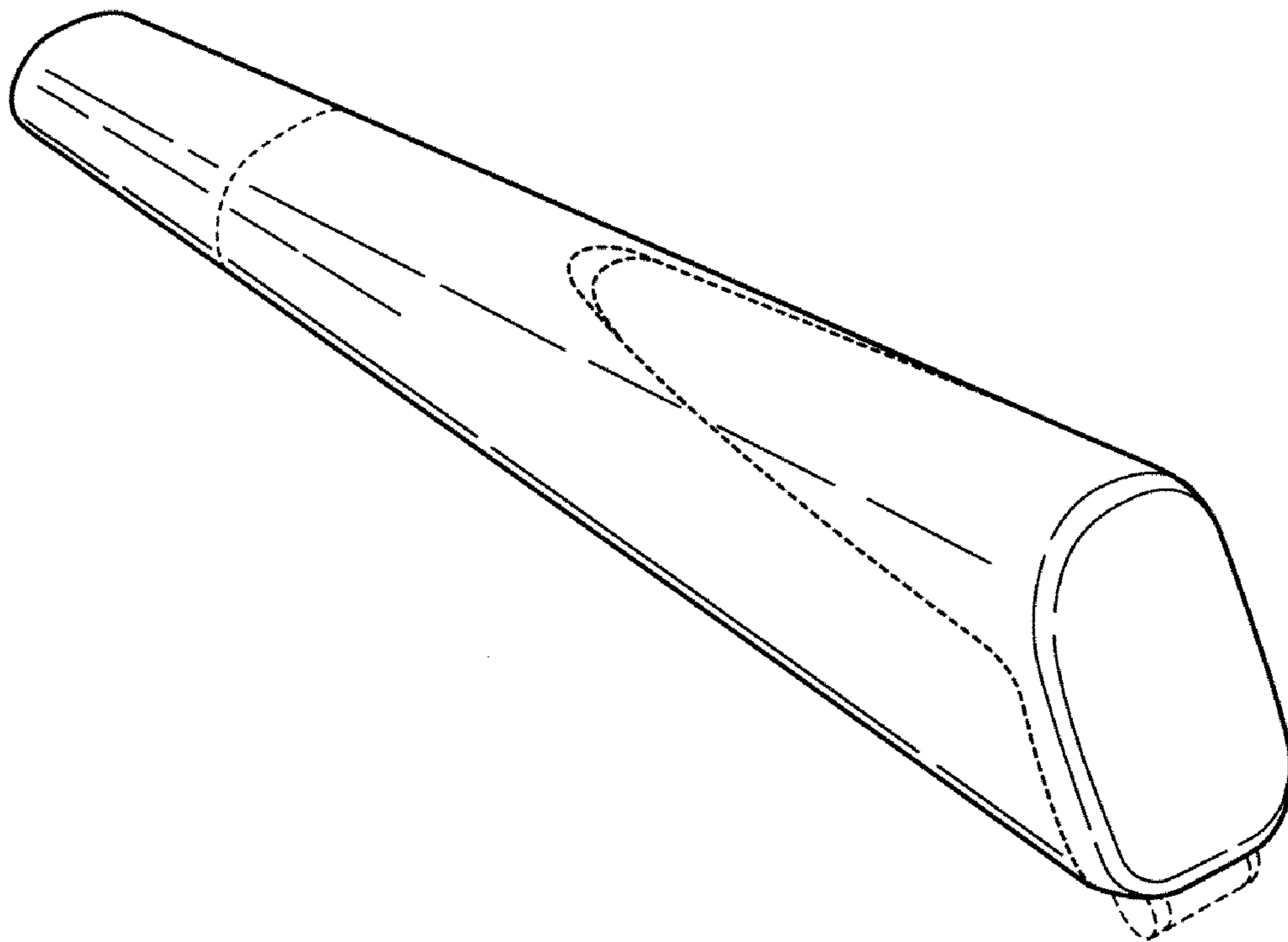


FIG. 9

FIG. 10

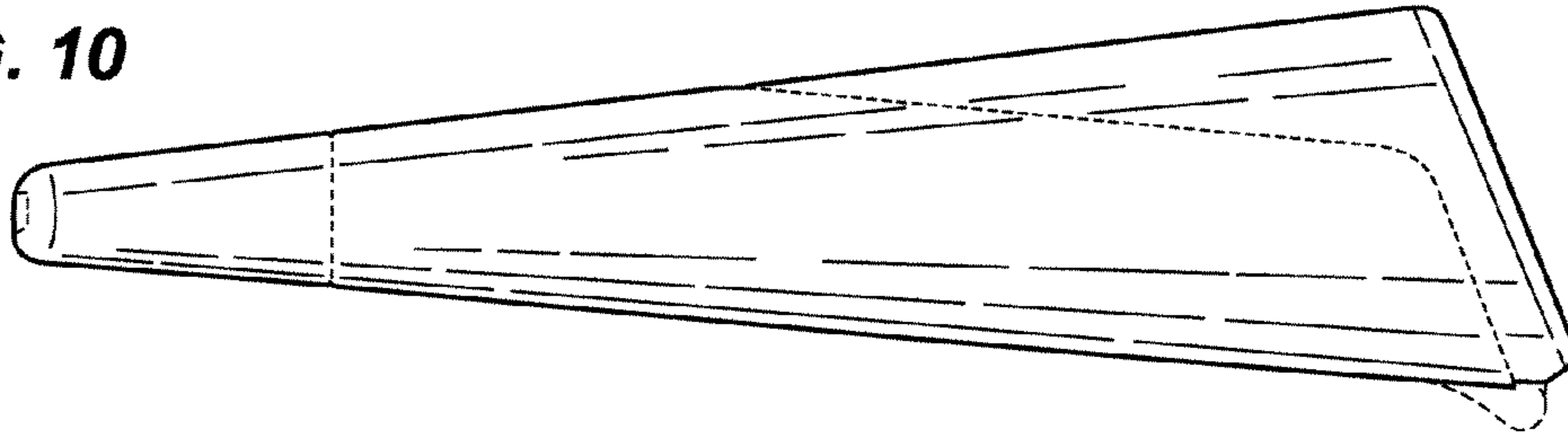


FIG. 11

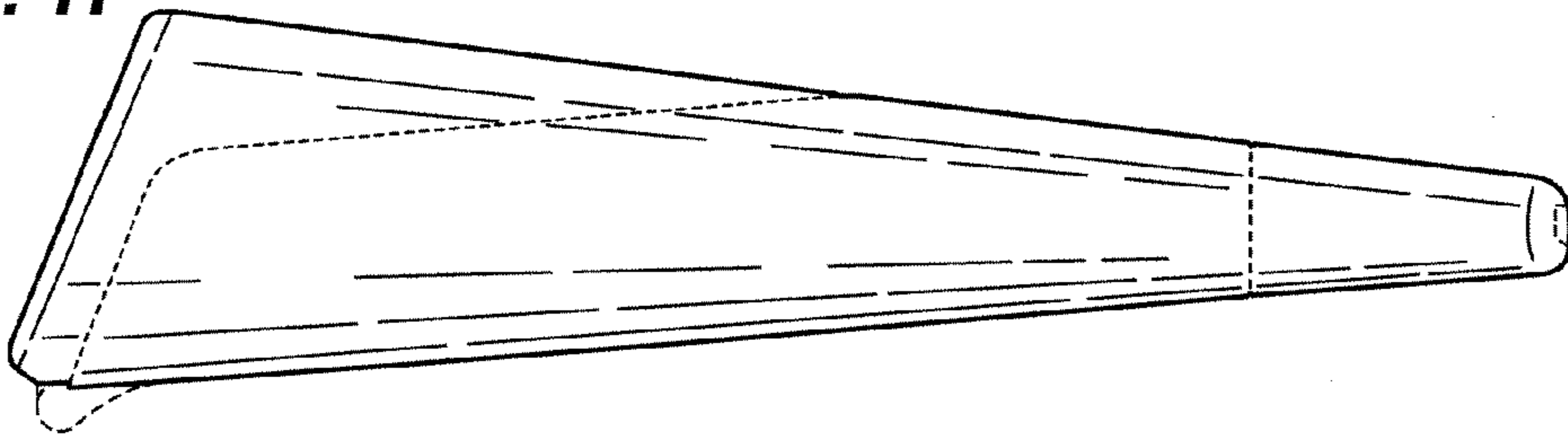


FIG. 12

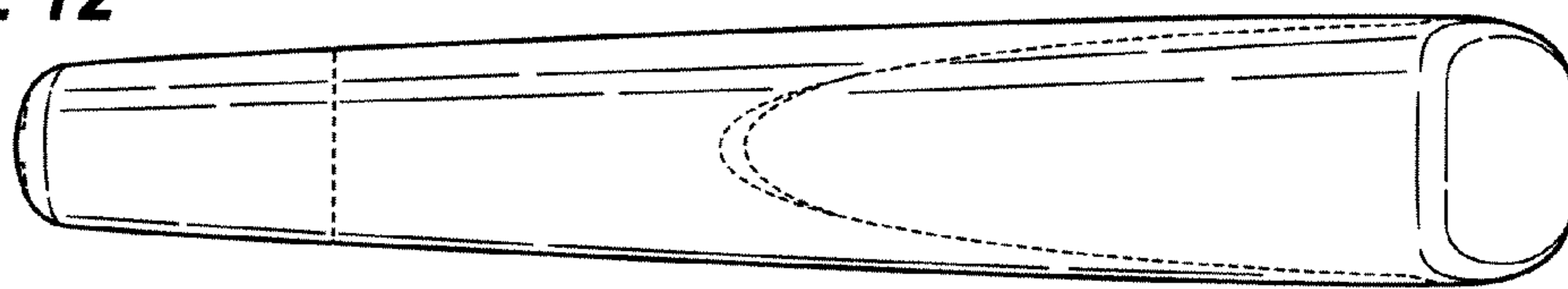


FIG. 13

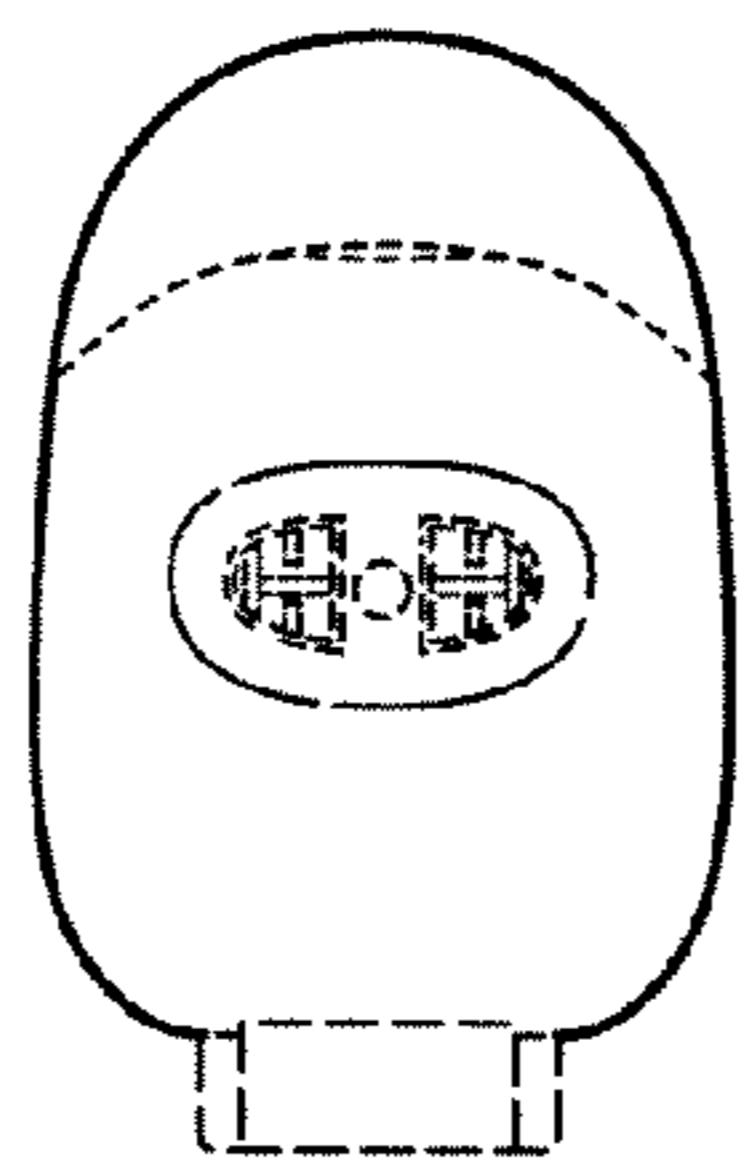
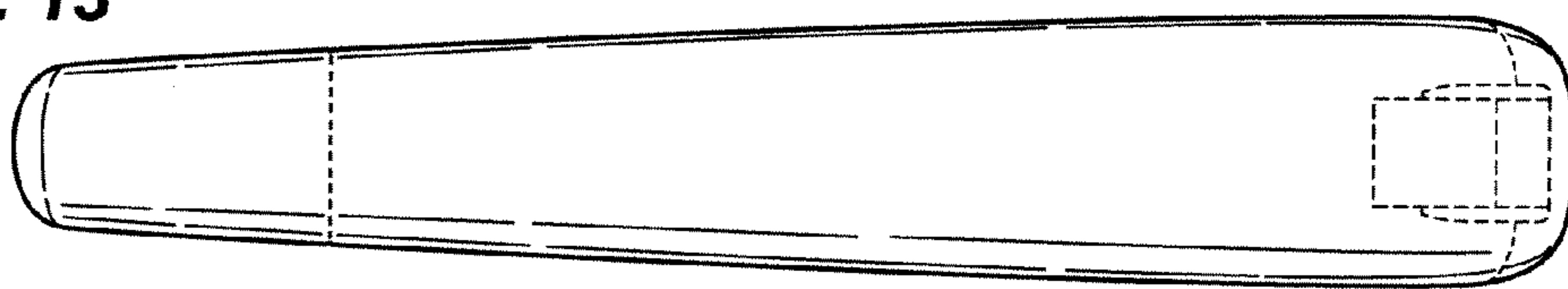


FIG. 14

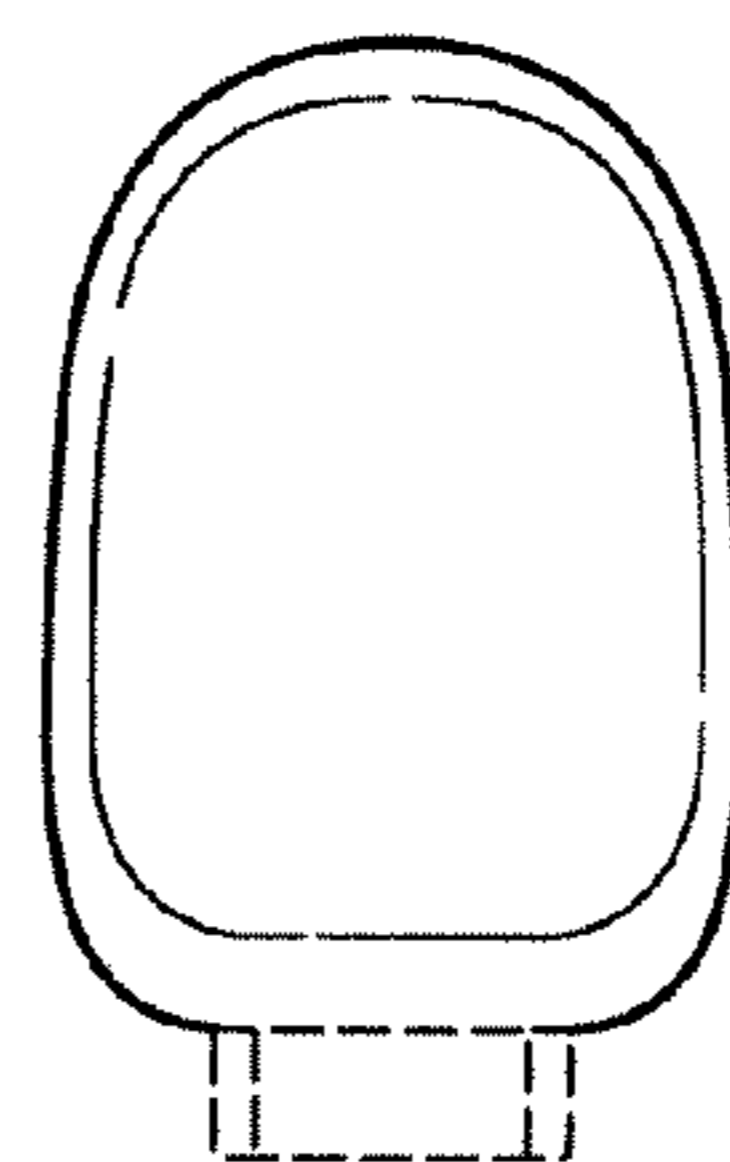


FIG. 15