



US00D641787S

(12) **United States Design Patent**
Tan

(10) **Patent No.:** **US D641,787 S**
(45) **Date of Patent:** **** Jul. 19, 2011**

- (54) **PEN**
- (75) Inventor: **Junlin Tan**, Ningbo (CN)
- (73) Assignee: **Beifa Group Co., Ltd.**, Ningbo (CN)
- (**) Term: **14 Years**
- (21) Appl. No.: **29/368,691**
- (22) Filed: **Aug. 27, 2010**
- (30) **Foreign Application Priority Data**

Mar. 5, 2010 (CN) 2010 3 0125177

- (51) **LOC (9) Cl.** **19-06**
- (52) **U.S. Cl.** **D19/48**
- (58) **Field of Classification Search** D19/35,
D19/36, 41-51, 54-58; 24/10 R, 11 CC,
24/11 F, 11 P, 11 PP, 11 R; 401/52, 99-114,
401/192, 193, 195-198
See application file for complete search history.

(56) **References Cited**

U.S. PATENT DOCUMENTS

- D137,496 S * 3/1944 Lustig D3/203.2
- D234,225 S * 1/1975 Ito D10/48
- D289,088 S * 3/1987 Jankewitz D28/7
- D306,354 S 2/1990 Konose
- 5,221,152 A * 6/1993 Chuang 401/57
- D345,578 S 3/1994 Zier
- D366,498 S 1/1996 Abe
- D389,863 S * 1/1998 Nguyen D19/48
- D391,153 S * 2/1998 Poisson et al. D19/48
- D395,672 S 6/1998 Navarro
- 5,897,266 A * 4/1999 Robert 401/202
- D452,527 S * 12/2001 Maki et al. D19/43
- D482,070 S 11/2003 Kennedy
- D483,067 S 12/2003 Takanashi
- D497,950 S 11/2004 Takanashi
- D499,762 S 12/2004 Shova

- D502,739 S 3/2005 Shova
- D505,490 S 5/2005 Tyce
- D530,745 S * 10/2006 Kent et al. D19/43
- D532,454 S 11/2006 Togawa
- D547,802 S * 7/2007 Jeon D19/43
- D549,775 S 8/2007 Kent
- D563,471 S 3/2008 Qiu
- D567,853 S * 4/2008 Qiu et al. D19/48
- D578,572 S 10/2008 Qiu
- D586,853 S * 2/2009 Tan D19/49
- D586,854 S * 2/2009 Tan D19/49
- D607,053 S * 12/2009 Siegel D19/48
- D608,827 S 1/2010 Hung
- D609,747 S 2/2010 Ma
- D610,615 S * 2/2010 Li D19/48
- D628,239 S * 11/2010 Yazawa D19/47

OTHER PUBLICATIONS

Tan, J., "Pen," U.S. Appl. No. 29/353,095, filed Dec. 31, 2009.

* cited by examiner

Primary Examiner — Elizabeth Albert

(74) *Attorney, Agent, or Firm* — Christensen O'Connor Johnson Kindness PLLC

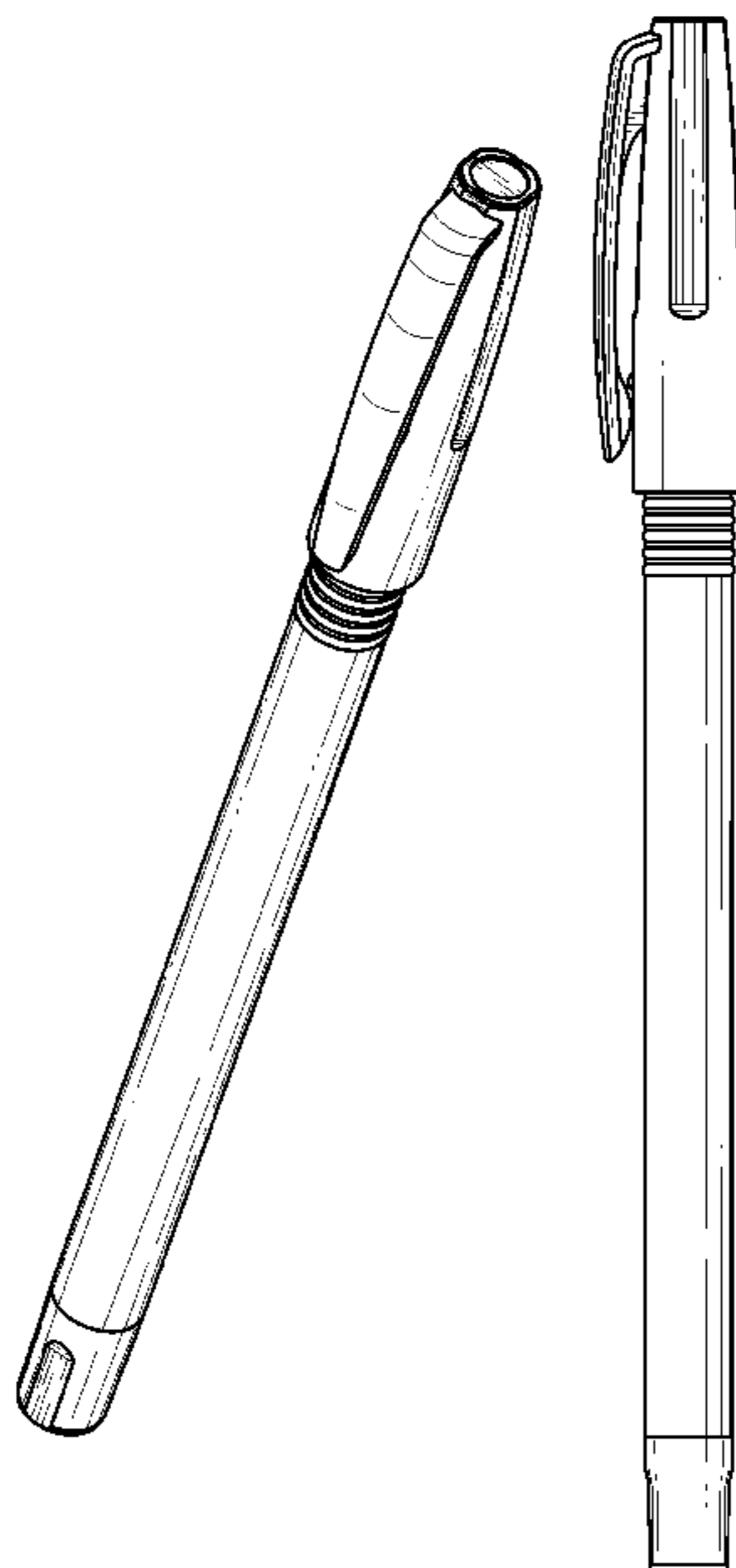
(57) **CLAIM**

The ornamental design for a pen, as shown and described.

DESCRIPTION

FIG. 1 is an upper front right perspective view of a pen showing my new design;
 FIG. 2 is a right side elevation view thereof, with the left side elevation view being a minor image of the right side elevation view;
 FIG. 3 is a front elevation view thereof;
 FIG. 4 is a rear elevation view thereof;
 FIG. 5 is an enlarged top plan view thereof; and,
 FIG. 6 is an enlarged bottom plan view thereof.

1 Claim, 3 Drawing Sheets



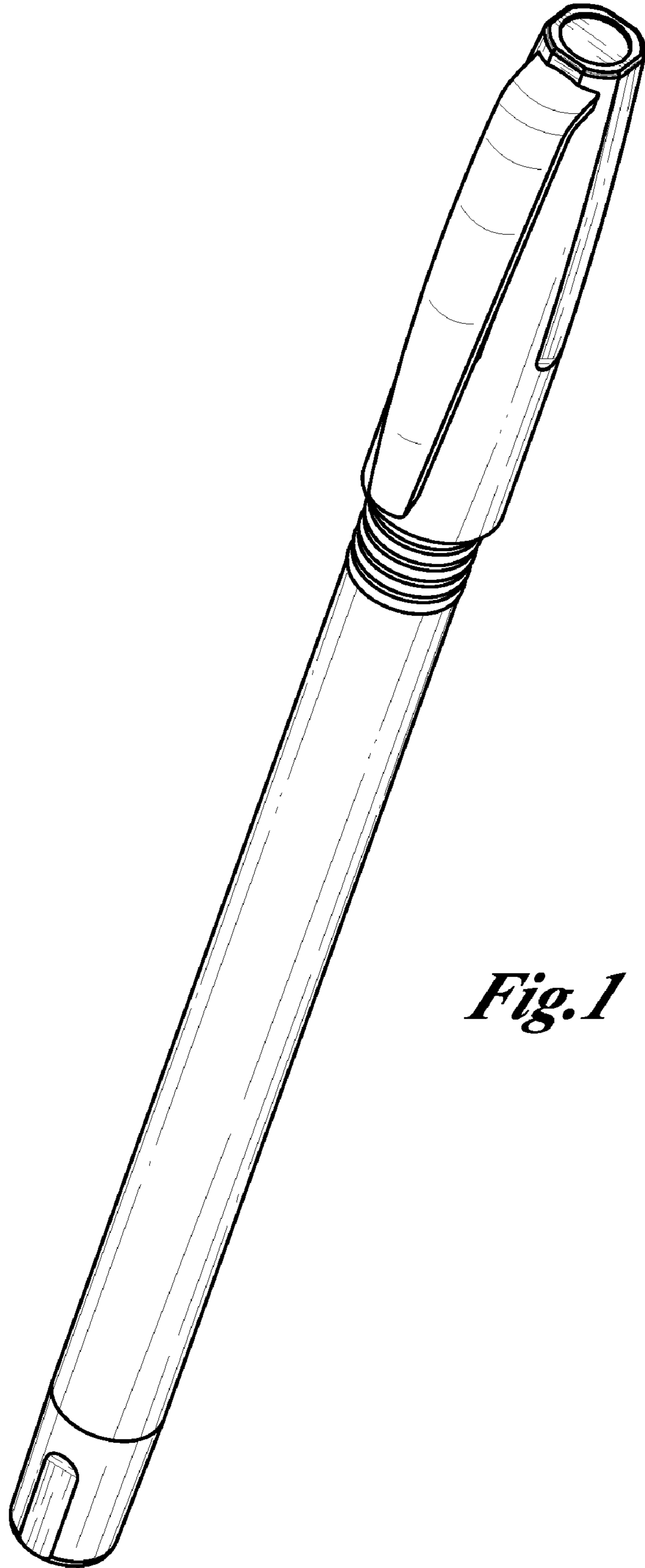


Fig. 1

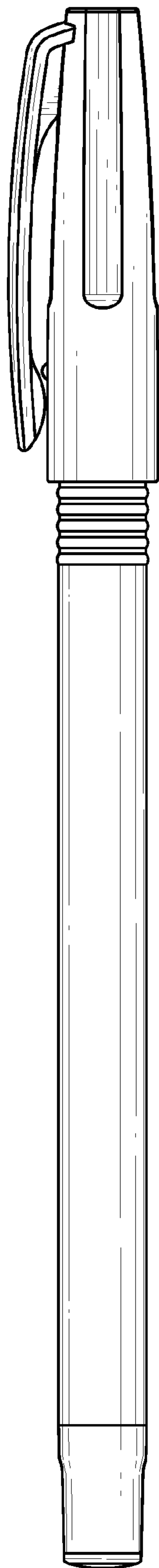


Fig. 2

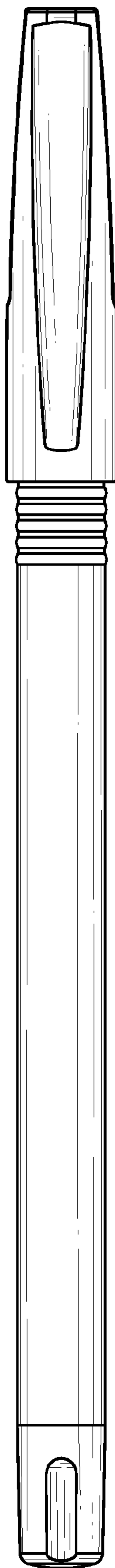


Fig. 3

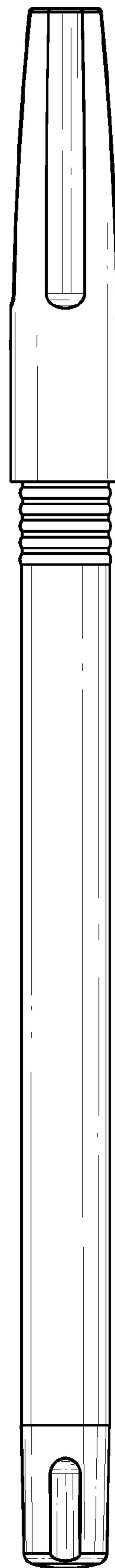


Fig. 4

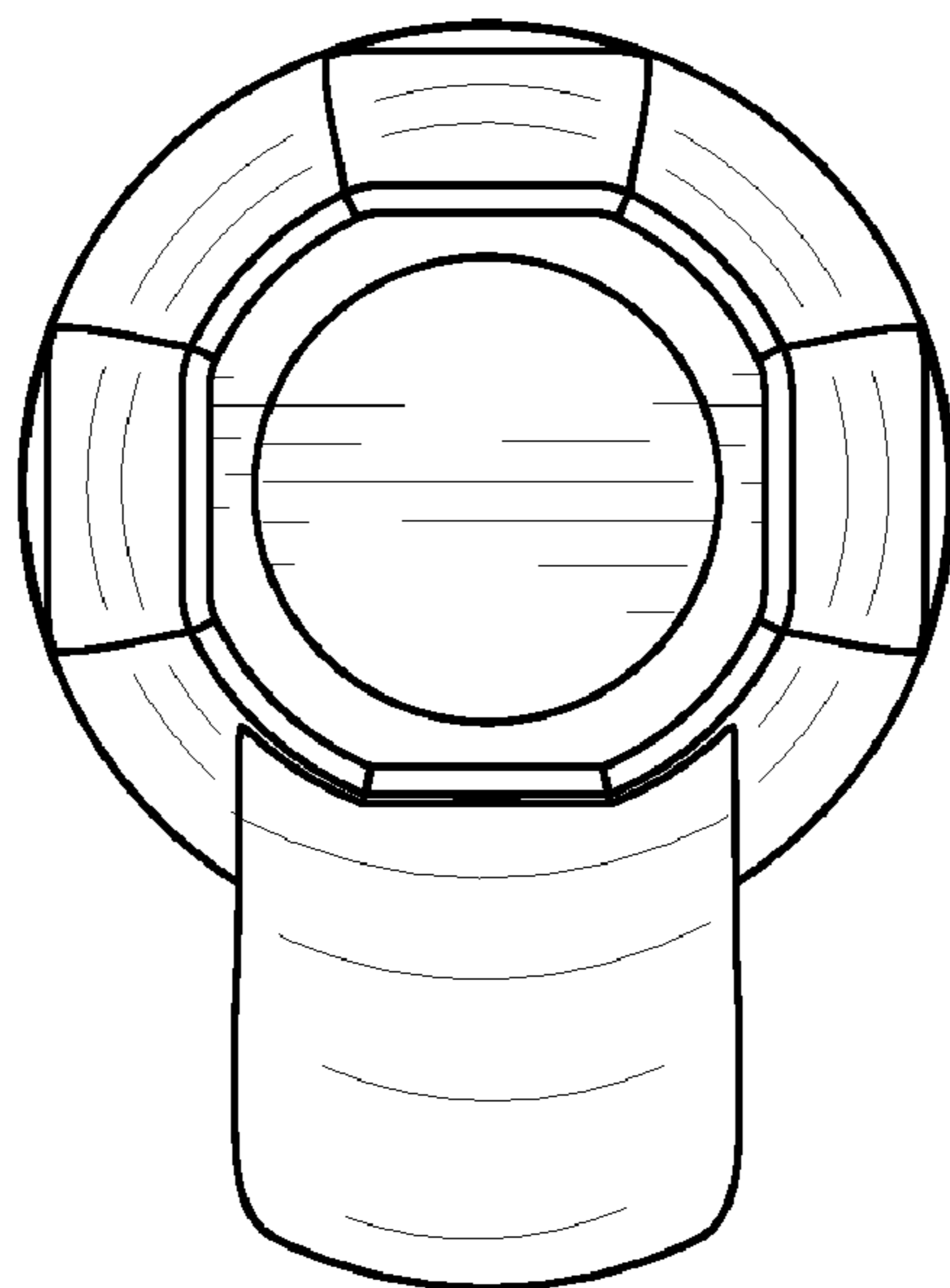


Fig. 5

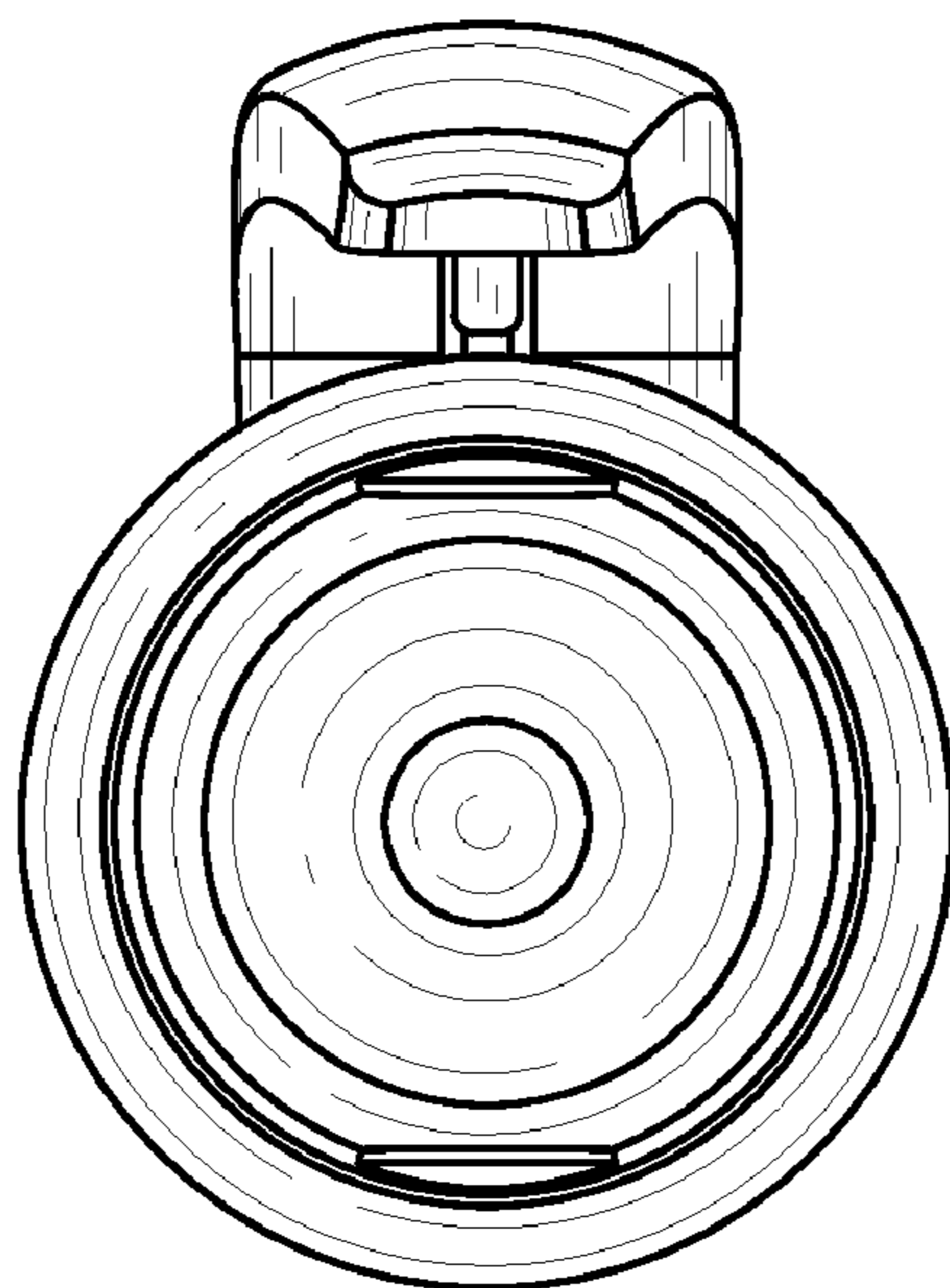


Fig. 6

UNITED STATES PATENT AND TRADEMARK OFFICE
CERTIFICATE OF CORRECTION

PATENT NO. : D641,787 S
APPLICATION NO. : 29/368691
DATED : July 19, 2011
INVENTOR(S) : J. Tan

Page 1 of 1

It is certified that error appears in the above-identified patent and that said Letters Patent is hereby corrected as shown below:

<u>COLUMN</u>	<u>LINE</u>	<u>ERROR</u>
(57) Pg. 1, col. 2	Description, 4 of text	“a minor image” should read --a mirror image--

Signed and Sealed this
Eighth Day of November, 2011



David J. Kappos
Director of the United States Patent and Trademark Office