



US00D641781S

(12) **United States Design Patent**
Tewart

(10) **Patent No.:** **US D641,781 S**
(45) **Date of Patent:** **** Jul. 19, 2011**

(54) **CARD FOLDER**

(75) Inventor: **Kevin Tewart**, El Segundo, CA (US)

(73) Assignee: **Konami Digital Entertainment Co., Ltd.**, Tokyo (JP)

(**) Term: **14 Years**

(21) Appl. No.: **29/370,510**

(22) Filed: **Jul. 28, 2010**

(51) **LOC (9) Cl.** **19-04**

(52) **U.S. Cl.** **D19/27**

(58) **Field of Classification Search** D19/26-33,
D19/86, 88, 90; D3/205, 303, 900, 230,
D3/273, 299, 319, 905; 402/73; 281/3.1,
281/15.1, 19.1, 29, 31, 38, 50; 283/63.1;
229/67.1, 67.3; 273/148 A, 149 P, 149 R,
273/157 A; 206/39.4, 315.1, 455
See application file for complete search history.

(56) **References Cited**

U.S. PATENT DOCUMENTS

169,186	A *	10/1875	Mosher	40/537
D71,153	S *	9/1926	Moreland	D19/31
2,963,809	A *	12/1960	Parker	40/775
3,280,493	A *	10/1966	Newman	40/702
3,707,053	A *	12/1972	Itano	40/781
3,797,146	A *	3/1974	Holes	40/536
3,797,152	A *	3/1974	Brandt	40/774
D239,980	S *	5/1976	Parson	D6/300
D276,826	S *	12/1984	Trepanier et al.	D21/392
4,809,451	A *	3/1989	Suzuki	40/772
D312,476	S *	11/1990	Westendorff	D19/27
D312,836	S *	12/1990	Svee	D19/33
5,025,581	A *	6/1991	Polzin	40/776
5,074,593	A *	12/1991	Grosso	283/77
5,087,145	A *	2/1992	Cooley	402/79
5,119,574	A *	6/1992	King	40/537
5,161,827	A *	11/1992	Grosso	283/77

5,186,566	A *	2/1993	Cameron	402/79
5,279,692	A *	1/1994	Best et al.	156/268
5,316,404	A *	5/1994	Hensel	402/79
D358,253	S *	5/1995	Wong	D3/247
D361,593	S *	8/1995	Edwards	D19/32
D391,989	S *	3/1998	Plutsky	D19/33
D393,875	S *	4/1998	Brooks	D19/33
D399,528	S *	10/1998	Kramer	D19/33
D421,051	S *	2/2000	Jahn	D19/33
6,139,210	A *	10/2000	Nelson et al.	402/79
6,282,826	B1 *	9/2001	Richards	40/654.01
6,316,081	B1 *	11/2001	Nelson et al.	428/195.1
D503,025	S *	3/2005	Taylor	D99/34
7,008,134	B2 *	3/2006	Lane	402/73
D522,583	S *	6/2006	Goserud	D19/78
D527,900	S *	9/2006	Dewa et al.	D3/299
D565,100	S *	3/2008	Taylor	D19/33
7,866,667	B2 *	1/2011	Fruchtman	273/148 A

* cited by examiner

Primary Examiner — T. Chase Nelson

Assistant Examiner — Kathleen M Sims

(74) *Attorney, Agent, or Firm* — Jordan and Hamburg LLP

(57) **CLAIM**

The ornamental design for a card folder, as shown and described.

DESCRIPTION

FIG. 1 is a perspective view of a card folder;
FIG. 2 is a front view thereof;
FIG. 3 is a rear view thereof;
FIG. 4 is a left side view thereof;
FIG. 5 is a right side view thereof;
FIG. 6 is a top view thereof;
FIG. 7 is a bottom view thereof; and,
FIG. 8 is a perspective view showing the cover opened.
The portion shown by broken lines is for illustrative purposes only and forms no part of the claimed design.

1 Claim, 5 Drawing Sheets

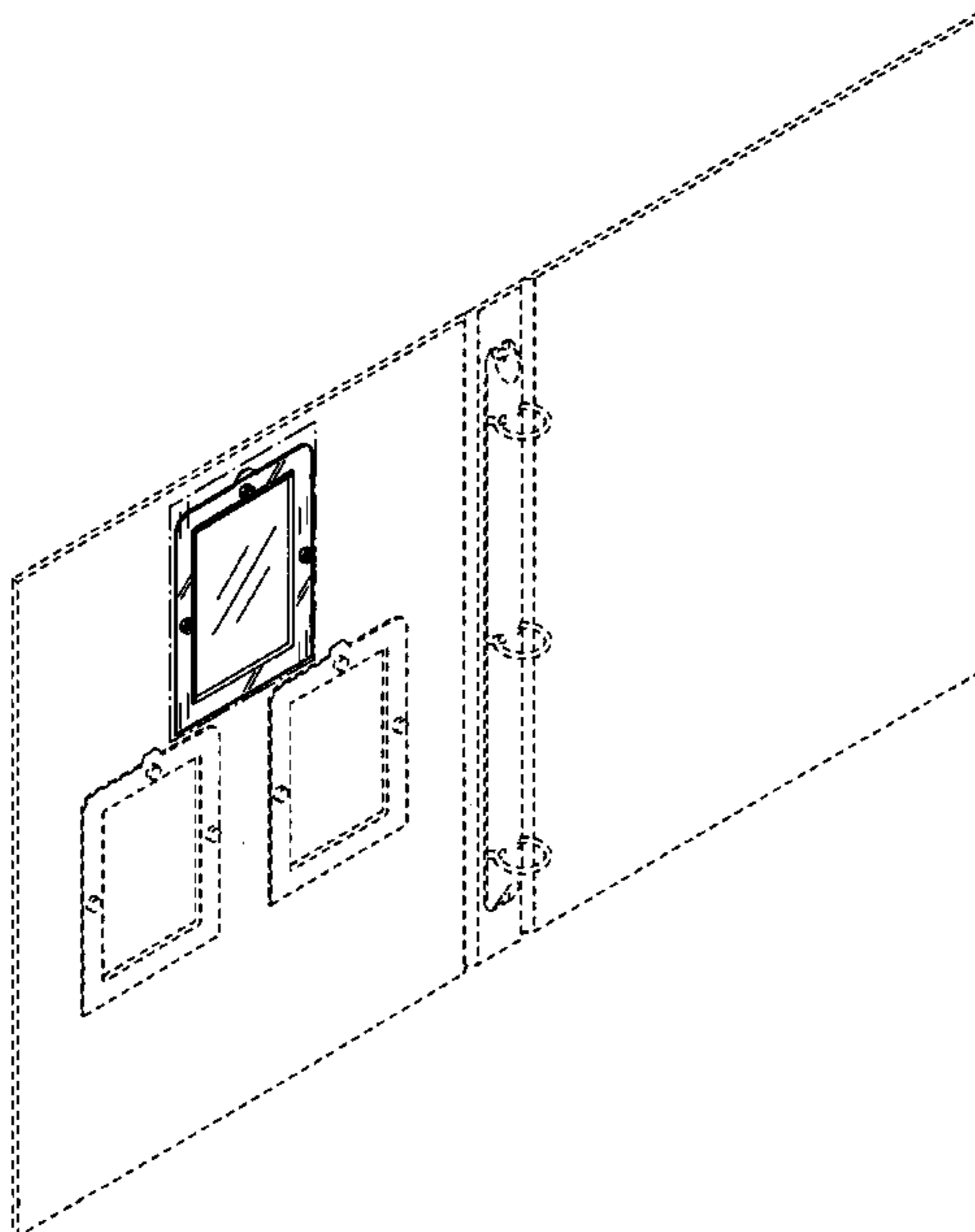
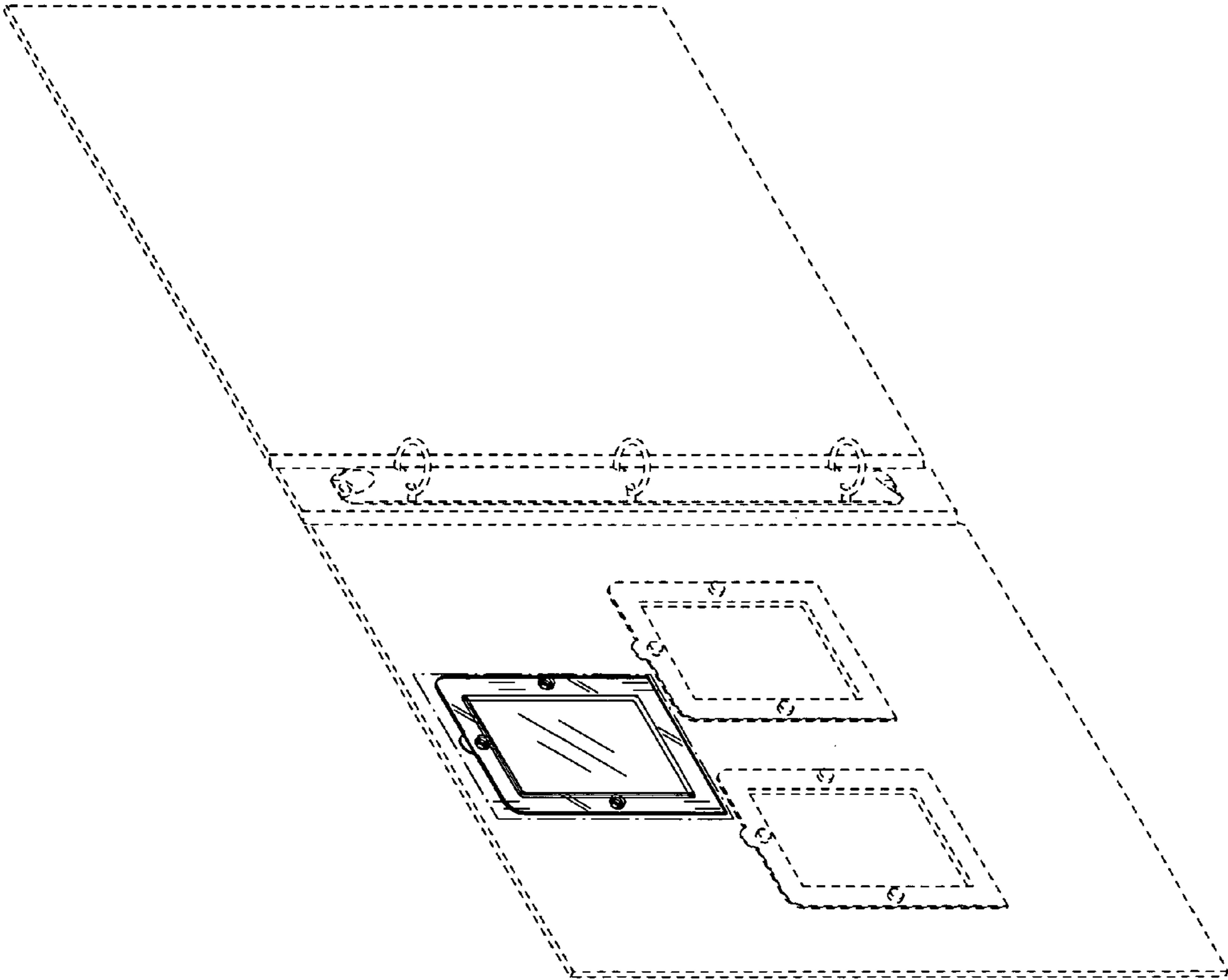


FIG.1



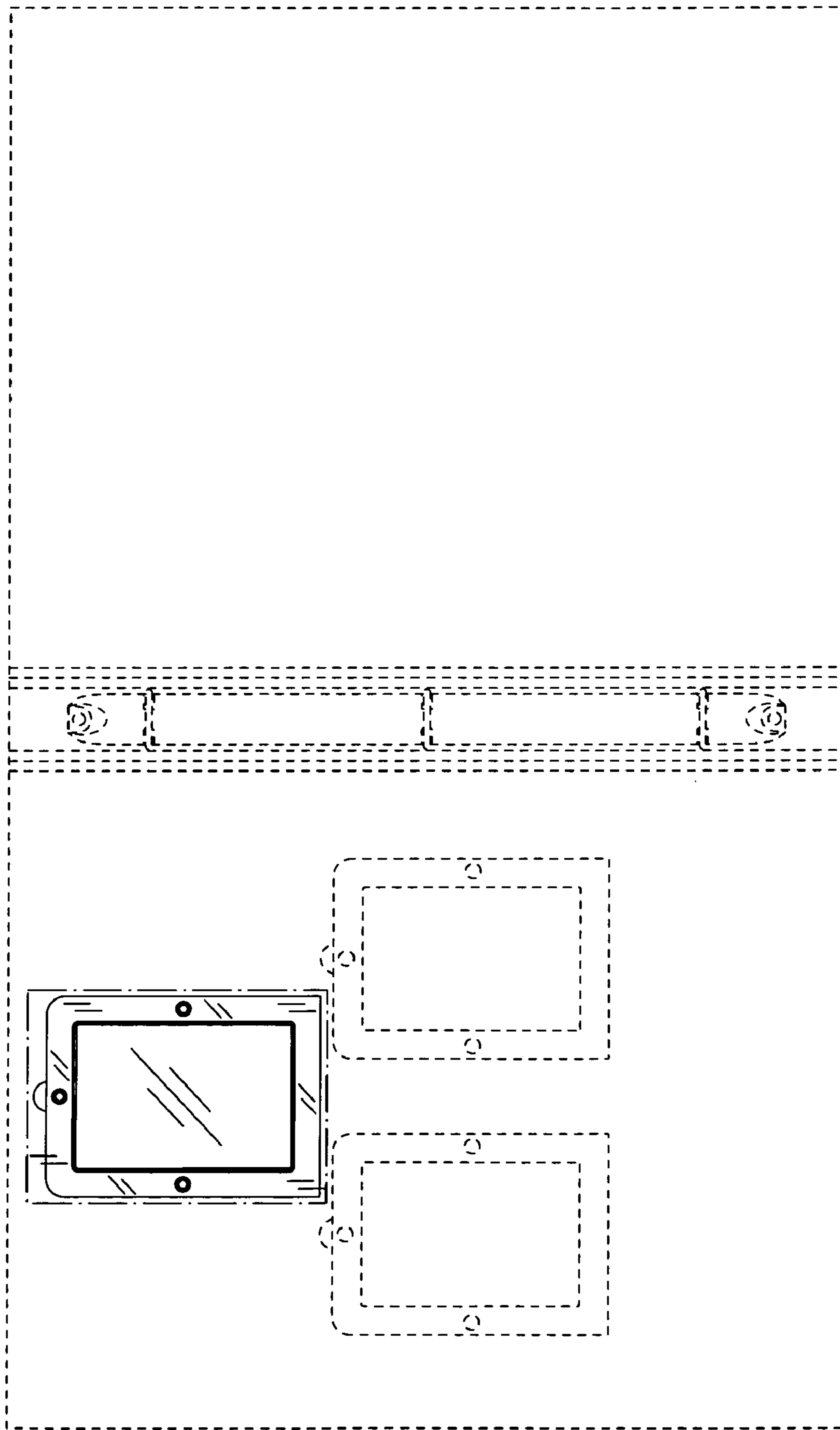


FIG. 2

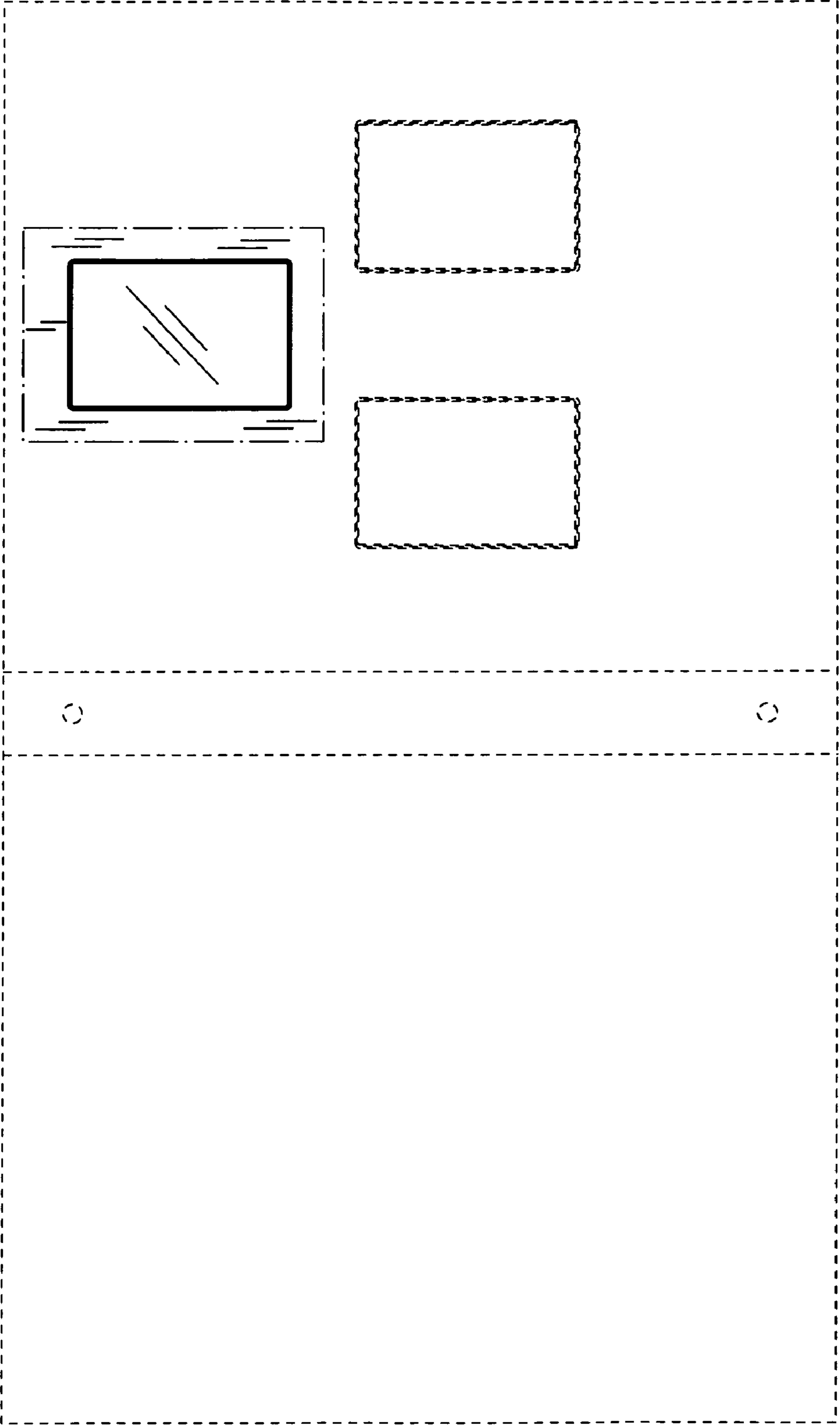


FIG. 3

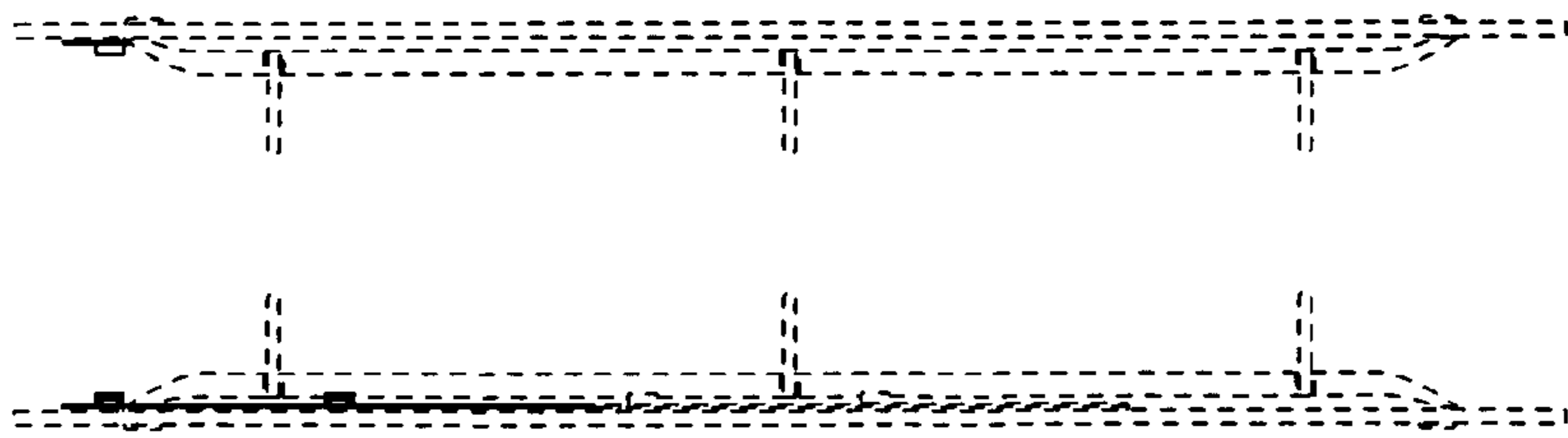


FIG. 4 FIG. 5



FIG. 6



FIG. 7

FIG. 8

