



US00D641778S

(12) **United States Design Patent**
Lee et al.

(10) **Patent No.:** **US D641,778 S**
(45) **Date of Patent:** **** Jul. 19, 2011**

(54) **COLOR LASER COMPLEX**
(75) Inventors: **Son-Young Lee**, Seoul (KR); **Jun-Won Bae**, Seoul (KR); **Chung-Ha Kim**, Seoul (KR); **Kyong-Hwan Kim**, Seoul (KR)
(73) Assignee: **Samsung Electronics Co., Ltd.**, Suwon, Kyunggi-do (KR)
(**) Term: **14 Years**
(21) Appl. No.: **29/316,974**

D561,248 S 2/2008 Lee et al.
D561,824 S 2/2008 Park et al.
D562,378 S 2/2008 Kim et al.
D573,178 S 7/2008 Lee et al.
D573,179 S 7/2008 Bae et al.
D580,483 S 11/2008 Park et al.
D581,976 S 12/2008 Park et al.
D584,344 S 1/2009 Lee et al.
D584,347 S 1/2009 Hong et al.
D584,348 S 1/2009 Boo et al.
D586,385 S 2/2009 Kim et al.
D593,149 S 5/2009 Park et al.
D601,185 S 9/2009 Kim et al.

(Continued)

(22) Filed: **Nov. 13, 2009**
(51) **LOC (9) Cl.** **14-02**
(52) **U.S. Cl.** **D18/55; D18/37; D14/421**
(58) **Field of Classification Search** D18/14,
D18/19, 36-37, 50, 54, 54.1, 55; D14/420-425,
D14/463-470; 400/613, 613.1-613.4, 690.1-690.4,
400/691-694
See application file for complete search history.

OTHER PUBLICATIONS

U.S. Appl. No. 29/313,583, Applicant: Jong-Kyu Kim, et al., Filed Jan. 23, 2009 entitles Copy Machine Attached by Function of Scanner and Printer.

(Continued)

Primary Examiner — Cathy Anne MacCormac
(74) *Attorney, Agent, or Firm* — Flynn, Thiel, Boutell & Tanis, P.C.

(56) **References Cited**

U.S. PATENT DOCUMENTS

D326,867 S 6/1992 Kwak
D350,765 S * 9/1994 Hiroki et al. D18/36
D359,506 S 6/1995 Lee
D378,218 S 2/1997 Hong et al.
D527,045 S 8/2006 Lim et al.
D530,737 S 10/2006 Lim et al.
D532,043 S 11/2006 Park et al.
D536,372 S 2/2007 Lim et al.
D551,700 S 9/2007 Park et al.
D552,170 S 10/2007 Kim et al.
D555,195 S 11/2007 Park et al.
D555,722 S 11/2007 Bae et al.
D556,253 S 11/2007 Hong et al.
D556,822 S 12/2007 Hong et al.
D558,261 S 12/2007 Hong et al.
D558,262 S 12/2007 Hong et al.
D558,820 S 1/2008 Hong et al.
D558,823 S * 1/2008 Alfonso et al. D18/55

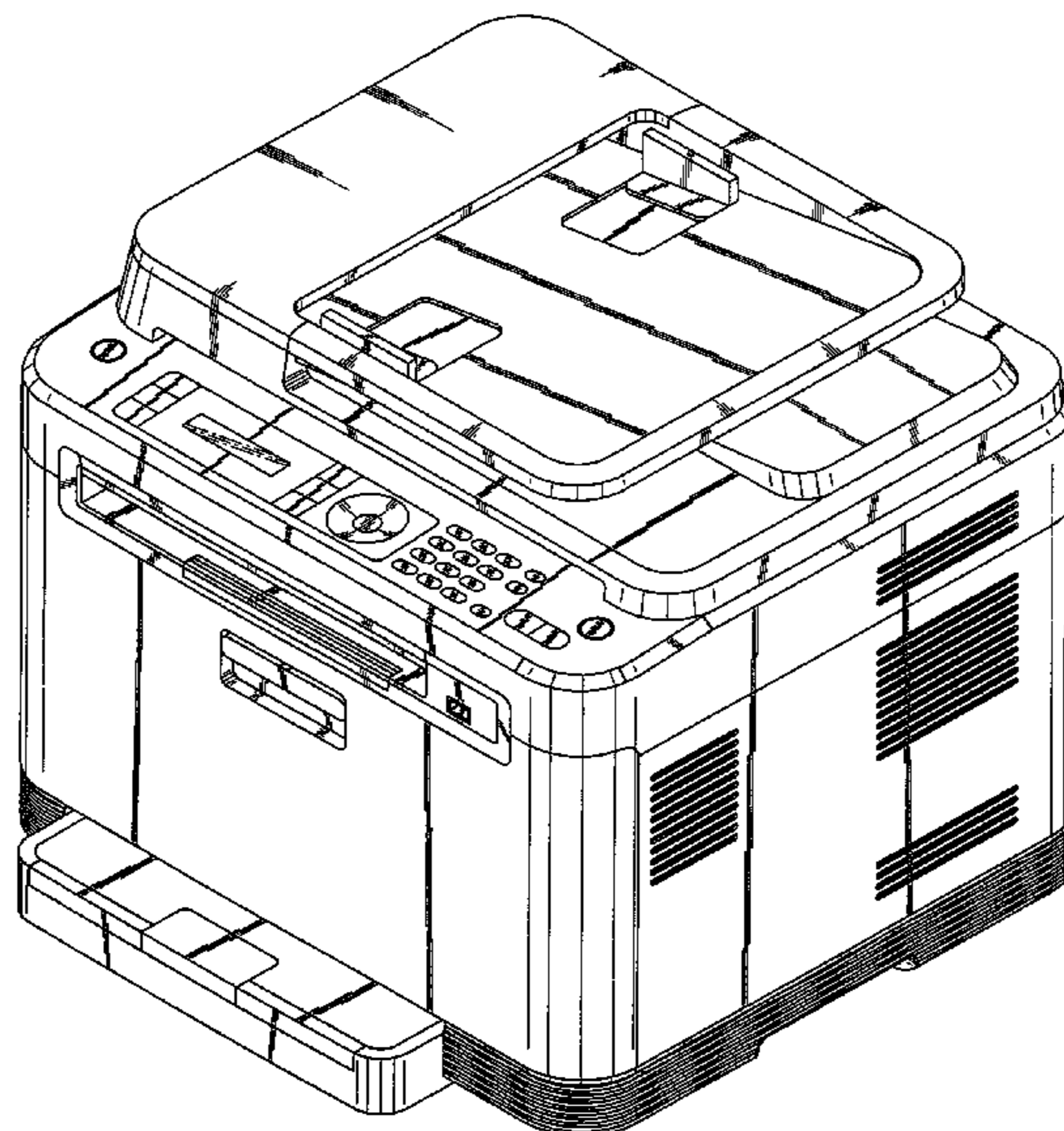
(57) **CLAIM**

The ornamental design for a color laser complex, as shown and described.

DESCRIPTION

FIG. 1 is a top front perspective view of a color laser complex showing our new design;
FIG. 2 is a front elevational view thereof;
FIG. 3 is a rear elevational view thereof;
FIG. 4 is a left side elevational view thereof;
FIG. 5 is a right side elevational view thereof;
FIG. 6 is a top plan view thereof; and,
FIG. 7 is a bottom plan view thereof.

1 Claim, 7 Drawing Sheets



U.S. PATENT DOCUMENTS

D601,186 S	9/2009	Kim et al.
D607,502 S	1/2010	Lee et al.
D607,506 S	1/2010	Kim et al.
D607,925 S	1/2010	Morrison et al.
D607,927 S	1/2010	Kim et al.
D607,928 S	1/2010	Kim et al.
D621,441 S	8/2010	Kim
D622,761 S	8/2010	Kim et al.
D624,956 S	10/2010	Park et al.
D624,957 S	10/2010	Park et al.
D626,588 S	11/2010	Kim et al.
D632,732 S	2/2011	Park et al.
D633,139 S	2/2011	Park et al.
D633,556 S	3/2011	Park et al.
D634,359 S	3/2011	Park et al.

OTHER PUBLICATIONS

U.S. Appl. No. 29/313,861, Applicant: Hee-Yul Kim, filed Feb. 17, 2009 entitled Copy Machine Attached by Function of Scanner and Printer.

U.S. Appl. No. 29/314,206, Applicant: Ji-Sang Park, et al., filed Mar. 13, 2009 entitled Laser Printer.

U.S. Appl. No. 29/314,647, Applicant: Ji-Sang Park, et al., filed Apr. 15, 2009 entitled Laser Complex.

U.S. Appl. No. 29/314,642, Applicant: Ji-Sang Park, et al., filed Apr. 15, 2009 entitled Laser Printer.

U.S. Appl. No. 29/315,577, Applicant: Hoon-Tae Kim, et al., filed Jul. 7, 2009 entitled Printer.

U.S. Appl. No. 29/316,030, Applicant: Ji-Sang Park, et al., filed Aug. 17, 2009 entitled Laser Complex.

U.S. Appl. No. 29/316,032, Applicant: Ji-Sang Park, et al., filed Aug. 17, 2009 entitled Laser Complex.

U.S. Appl. No. 29/316,300, Applicant: Kyong-Hwan Kim, et al., filed Sep. 11, 2009 entitled Laser Printer.

U.S. Appl. No. 29/316,763, Applicant: Ji-Sang Park, et al., filed Oct. 29, 2009 entitled Printer.

U.S. Appl. No. 29/316,764, Applicant: Ji-sang Park, et al., filed Oct. 29, 2009 entitled Copy Machine.

U.S. Appl. No. 29/316,754, Applicant: Ji-Sang Park, et al., filed Pct. 29, 2009 entitled Copy Machine.

U.S. Appl. No. 29/316,761, Applicant: Ji-Sang Park, et al., filed Oct. 29, 2009 entitled Printer.

U.S. Appl. No. 29/316,762, Applicant: Ji-Sang Park, et al., filed Oct. 29, 2009 entitled Printer.

U.S. Appl. No. 29/316,975, Applicant: Chung-Ha Kim, et al., filed Nov. 13, 2009 entitled Color Laser Complex.

U.S. Appl. No. 29/316,976, Applicant: Kyong-Hwan Kim, et al., filed Nov. 13, 2009 entitled Color Laser Printer.

* cited by examiner

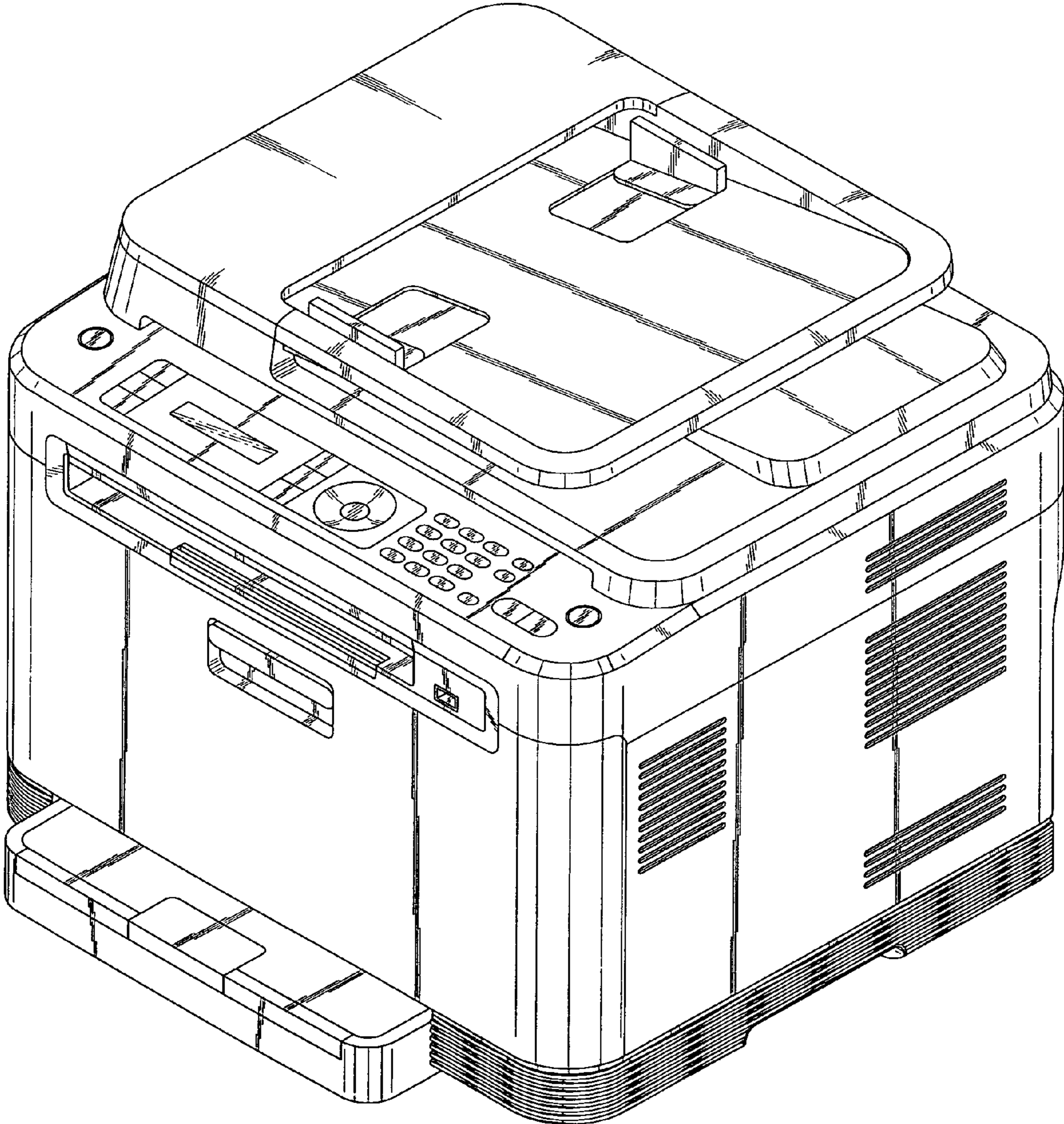


FIG. 1

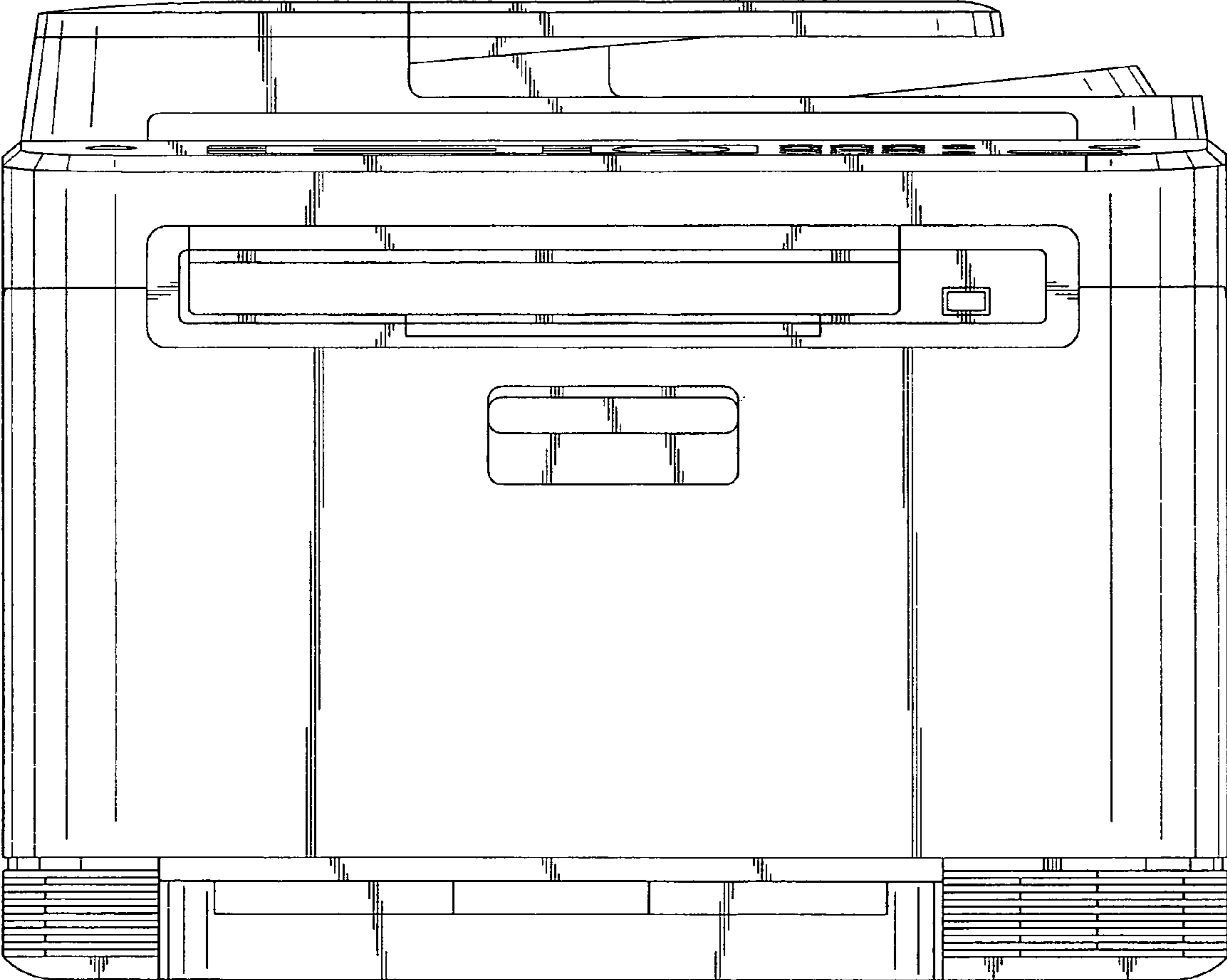


FIG. 2

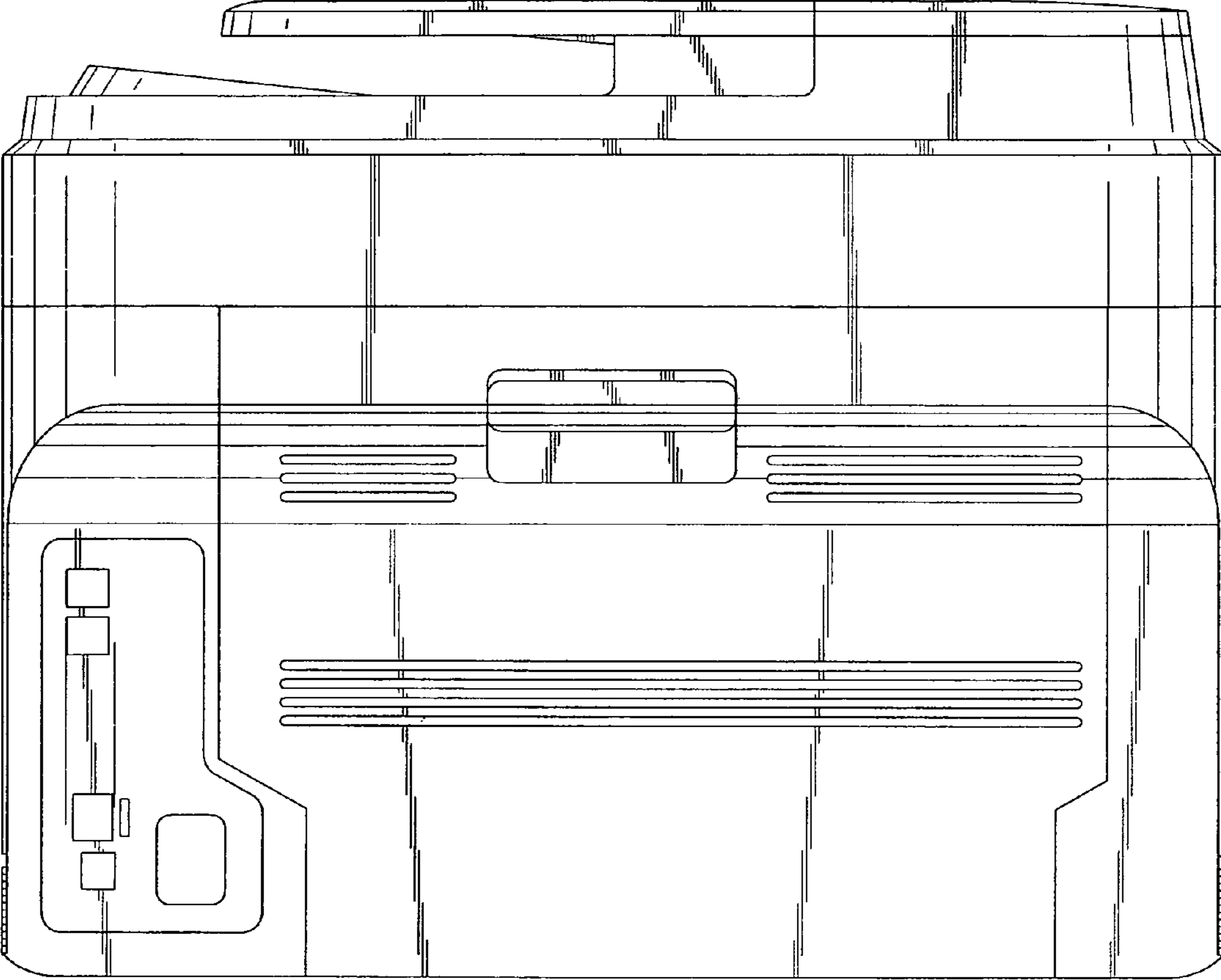


FIG.3

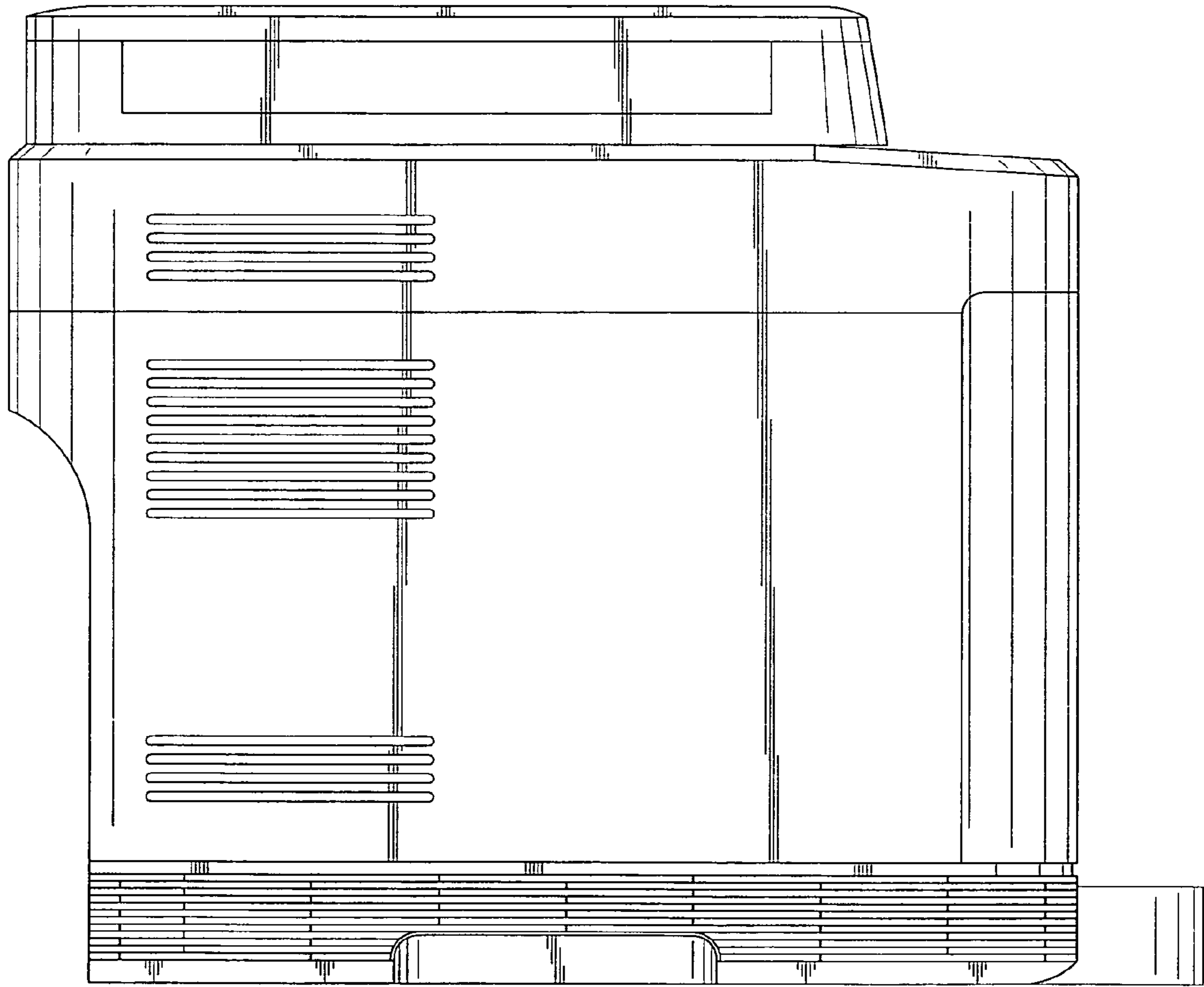


FIG. 4

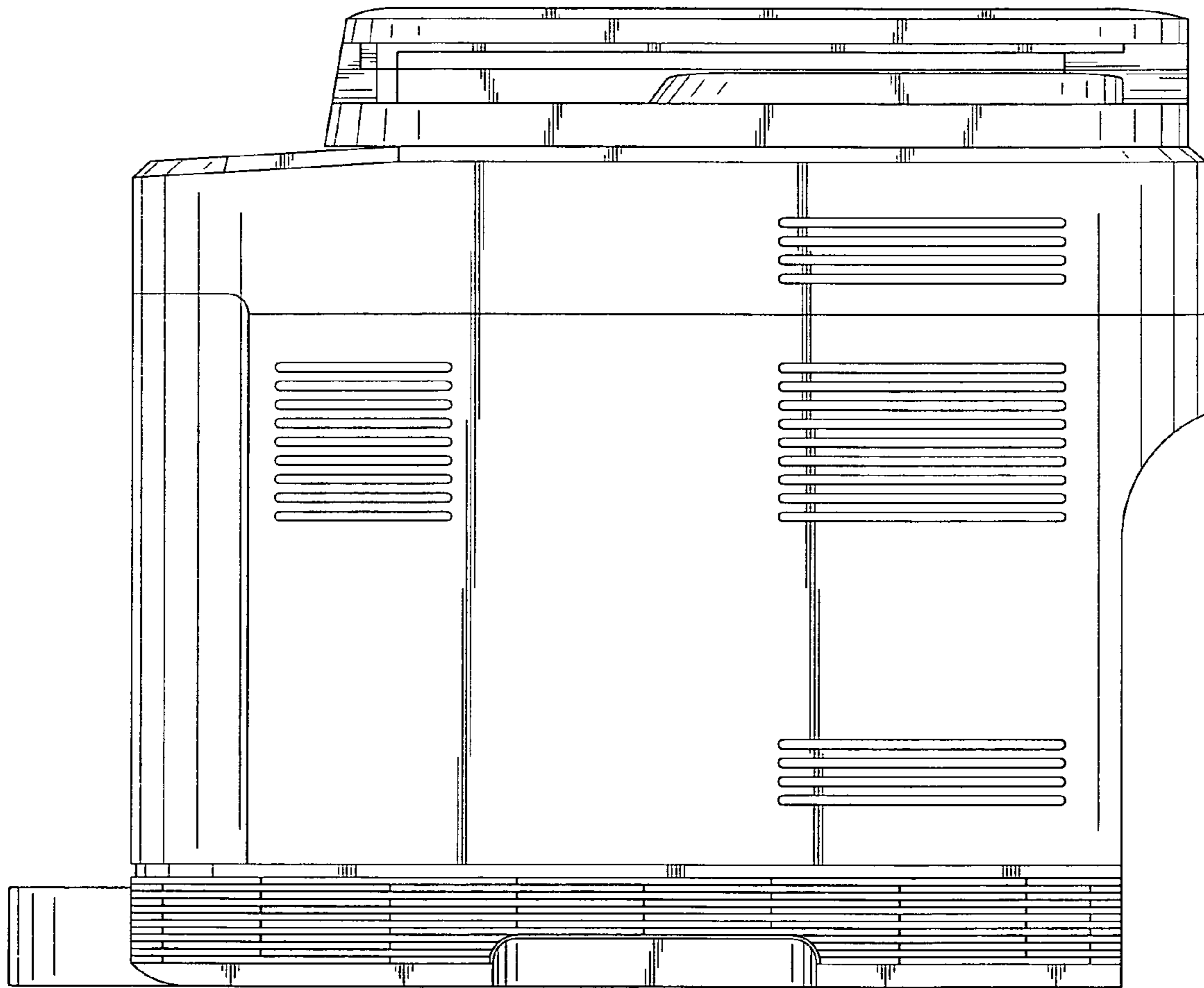


FIG. 5

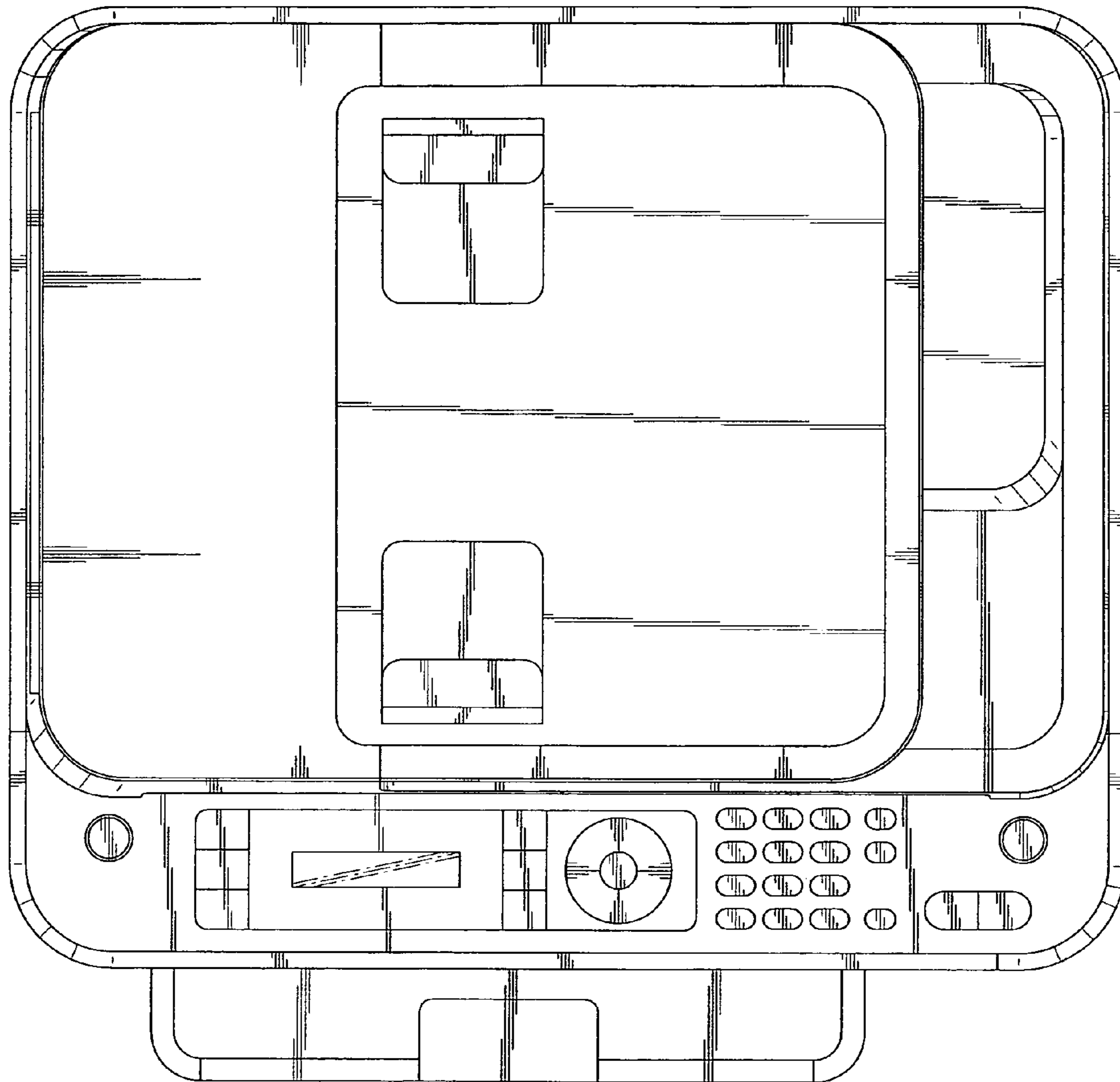


FIG.6

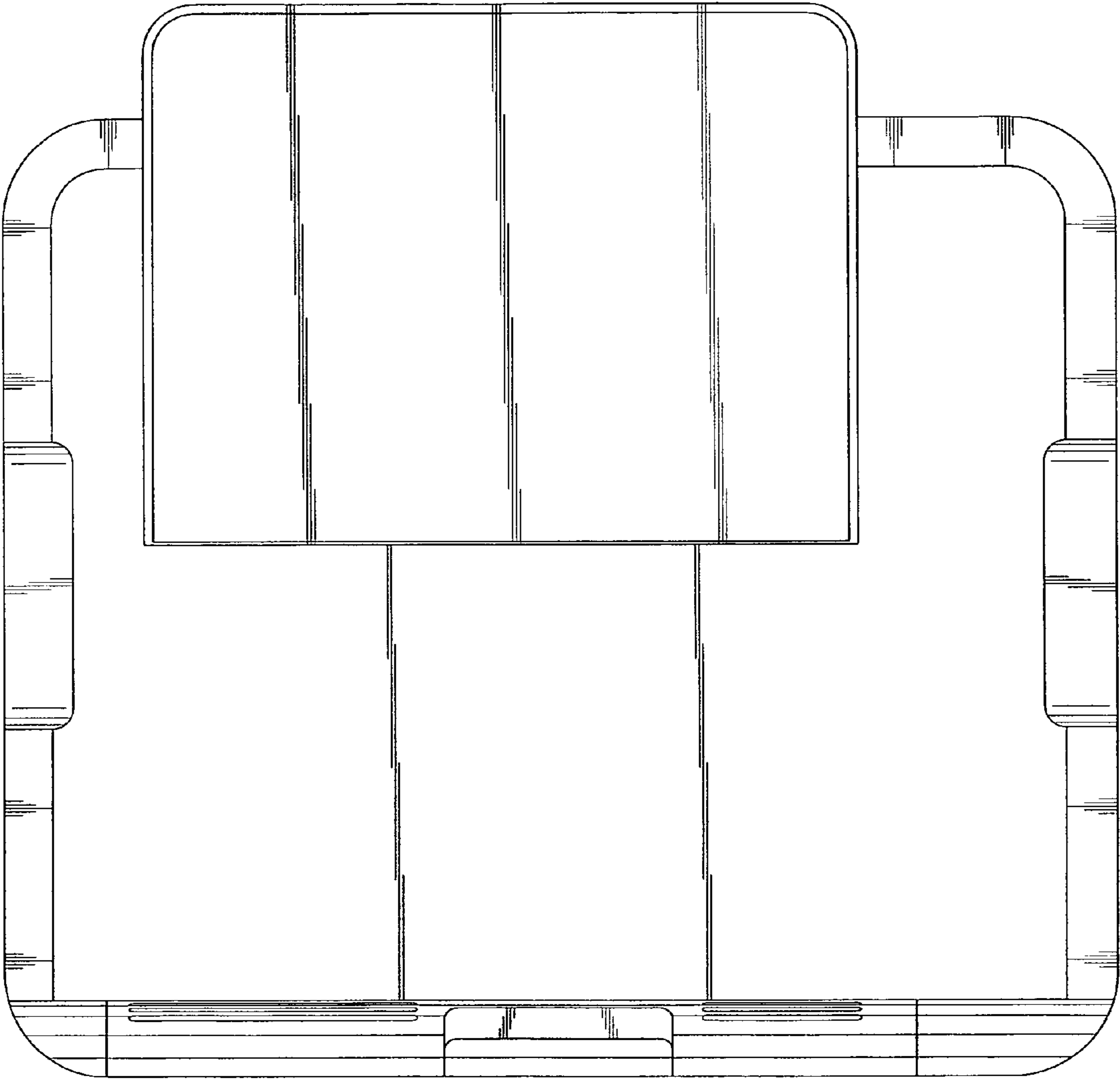


FIG. 7