



US00D641777S

(12) **United States Design Patent**  
**Arena**

(10) **Patent No.:** **US D641,777 S**  
(45) **Date of Patent:** **\*\* Jul. 19, 2011**

(54) **LABELLER MACHINE**

(75) Inventor: **Giorgio Arena**, Frosinone (IT)

(73) Assignee: **Open Data S.r.l.**, Anagni (FR) (IT)

(\*\*) Term: **14 Years**

(21) Appl. No.: **29/345,360**

(22) Filed: **Oct. 14, 2009**

(30) **Foreign Application Priority Data**

Jul. 31, 2009 (EM) ..... 001596495-0001

(51) **LOC (9) Cl.** ..... **18-99**

(52) **U.S. Cl.** ..... **D18/19**

(58) **Field of Classification Search** ..... D18/15-19,  
D18/50, 7; 400/462-470, 613.1-613.4; 156/384,  
156/DIG. 48, DIG. 49; D19/68  
See application file for complete search history.

(56) **References Cited**

**U.S. PATENT DOCUMENTS**

D229,863	S	*	1/1974	Graybeal	.....	D18/19
D237,417	S	*	10/1975	Wildgen	.....	D18/19
4,290,840	A	*	9/1981	Pabodie et al.	.....	156/384
D268,595	S	*	4/1983	Beers	.....	D18/19
4,497,682	A	*	2/1985	Hamisch, Jr.	.....	156/384
4,680,081	A	*	7/1987	Hamisch, Jr.	.....	156/384

D291,326	S	*	8/1987	Feierstein et al.	.....	D18/19
D347,238	S	*	5/1994	Patzak	.....	D18/19
D542,336	S	*	5/2007	Nishizaka	.....	D18/19
D607,491	S	*	1/2010	Arena	.....	D18/19

\* cited by examiner

*Primary Examiner* — Stella Reid

*Assistant Examiner* — Wan Laymon

(74) *Attorney, Agent, or Firm* — Young & Thompson

(57) **CLAIM**

The ornamental design for a labeller machine, as shown and described.

**DESCRIPTION**

FIG. 1 is a perspective view of a labeller (machine) showing my new design;

FIG. 2 is a side elevational view thereof from the left of FIG. 1;

FIG. 3 is a side elevational view thereof from the right of FIG. 1;

FIG. 4 is a top plan view thereof;

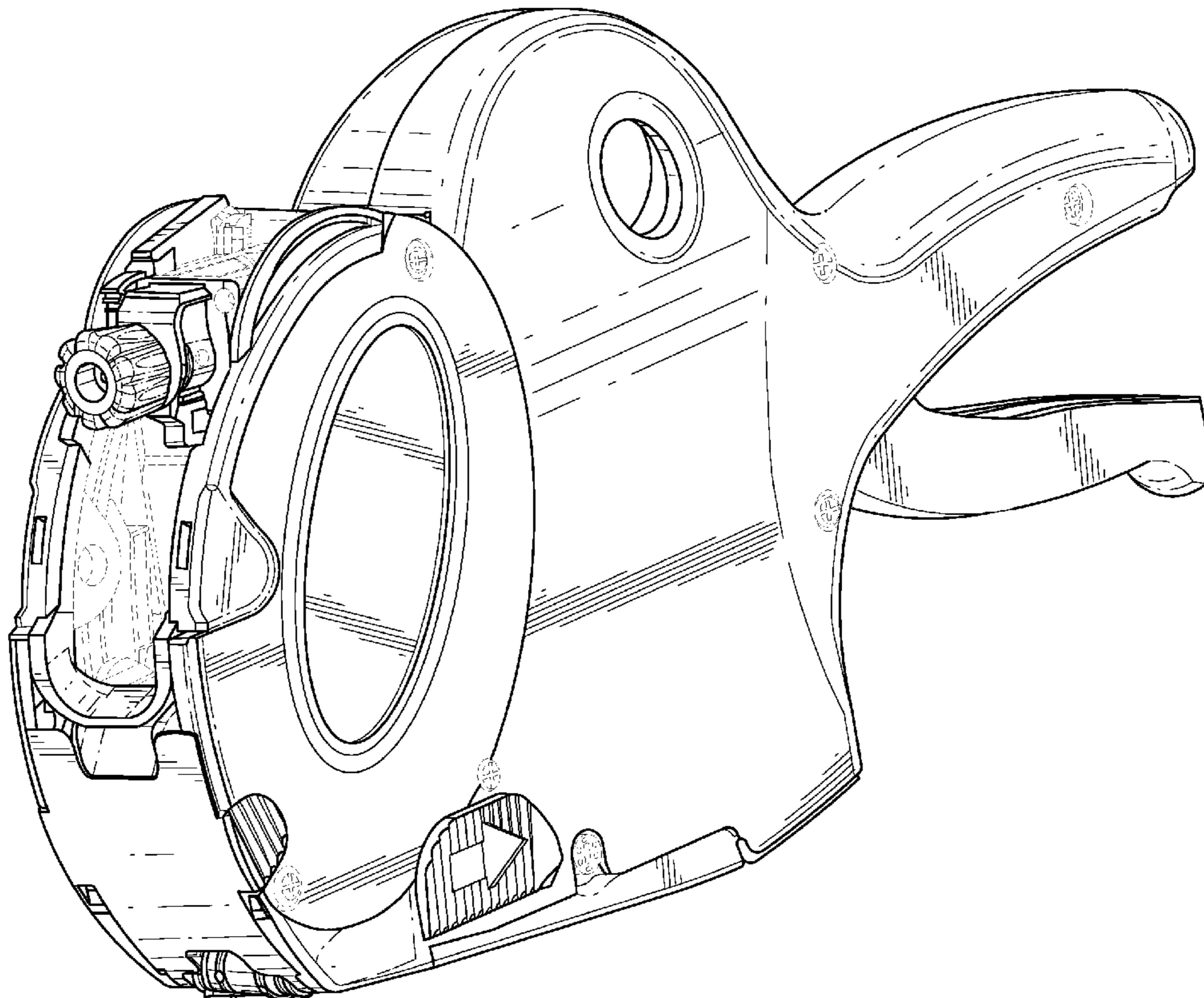
FIG. 5 is a bottom plan view thereof;

FIG. 6 is a front elevational view thereof; and,

FIG. 7 is a rear elevational view thereof.

The broken lines showing portions of the labeller machine are included for illustrating environmental structure and form no part of the claimed design.

**1 Claim, 6 Drawing Sheets**



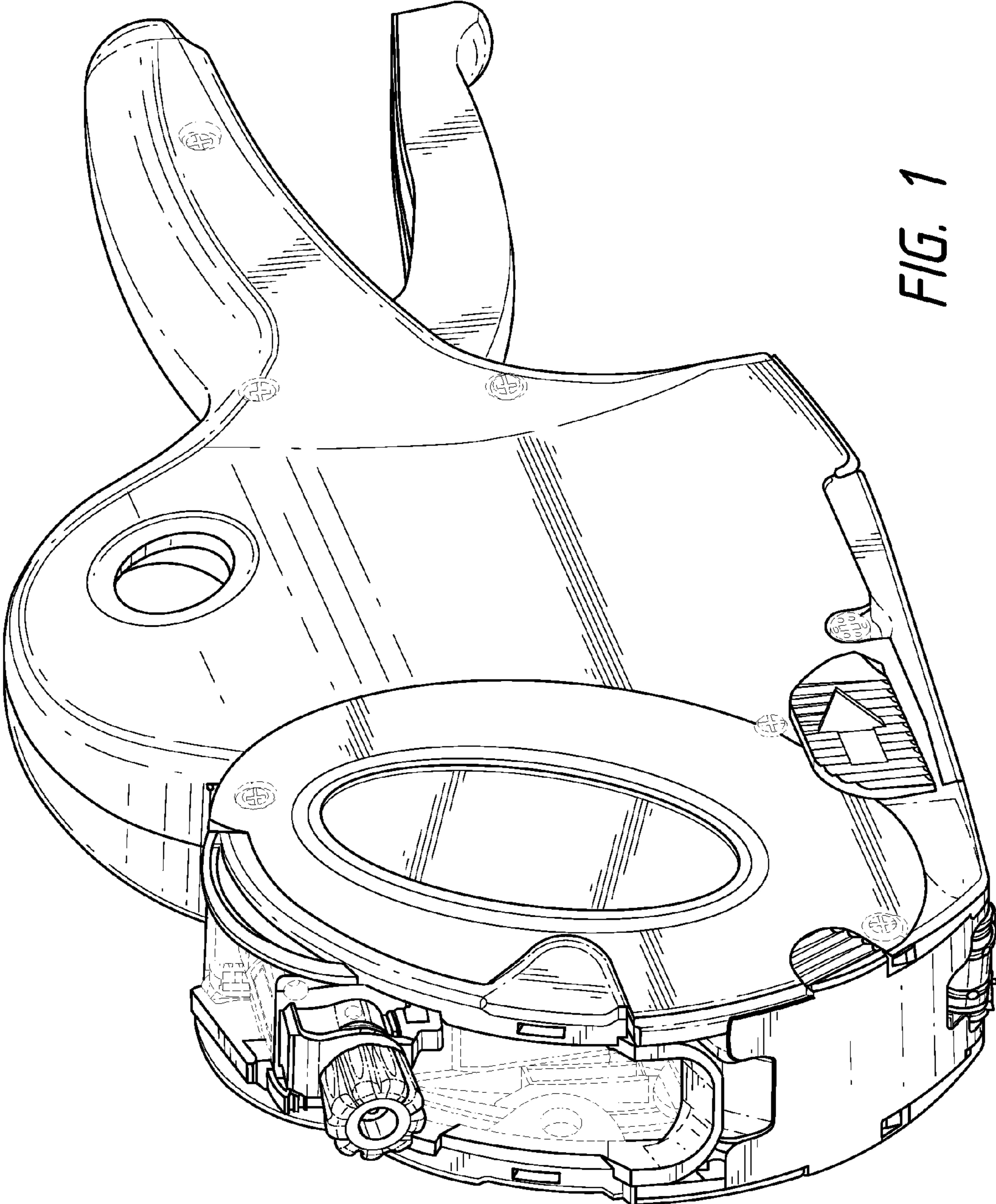


FIG. 1

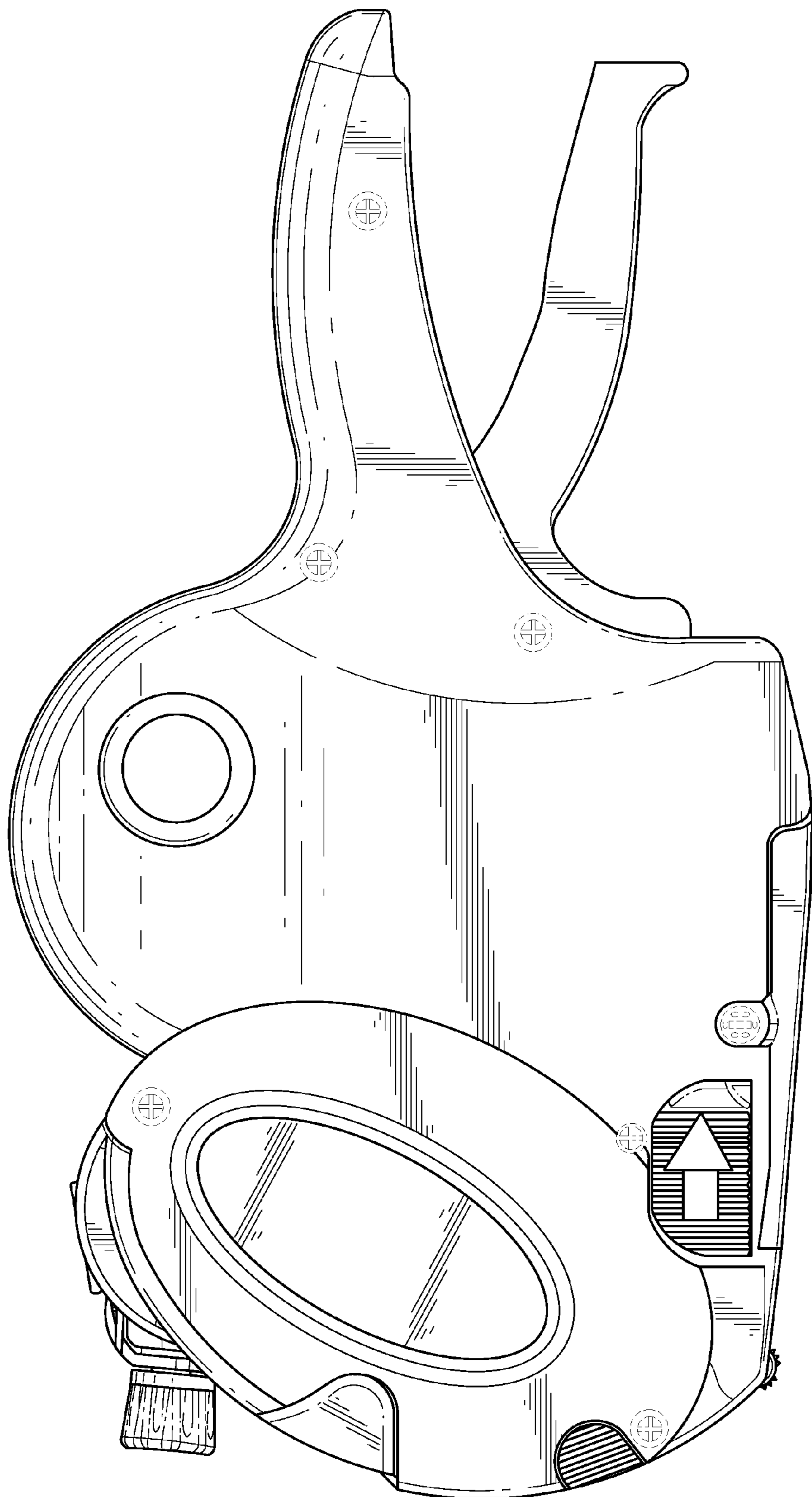


FIG. 2

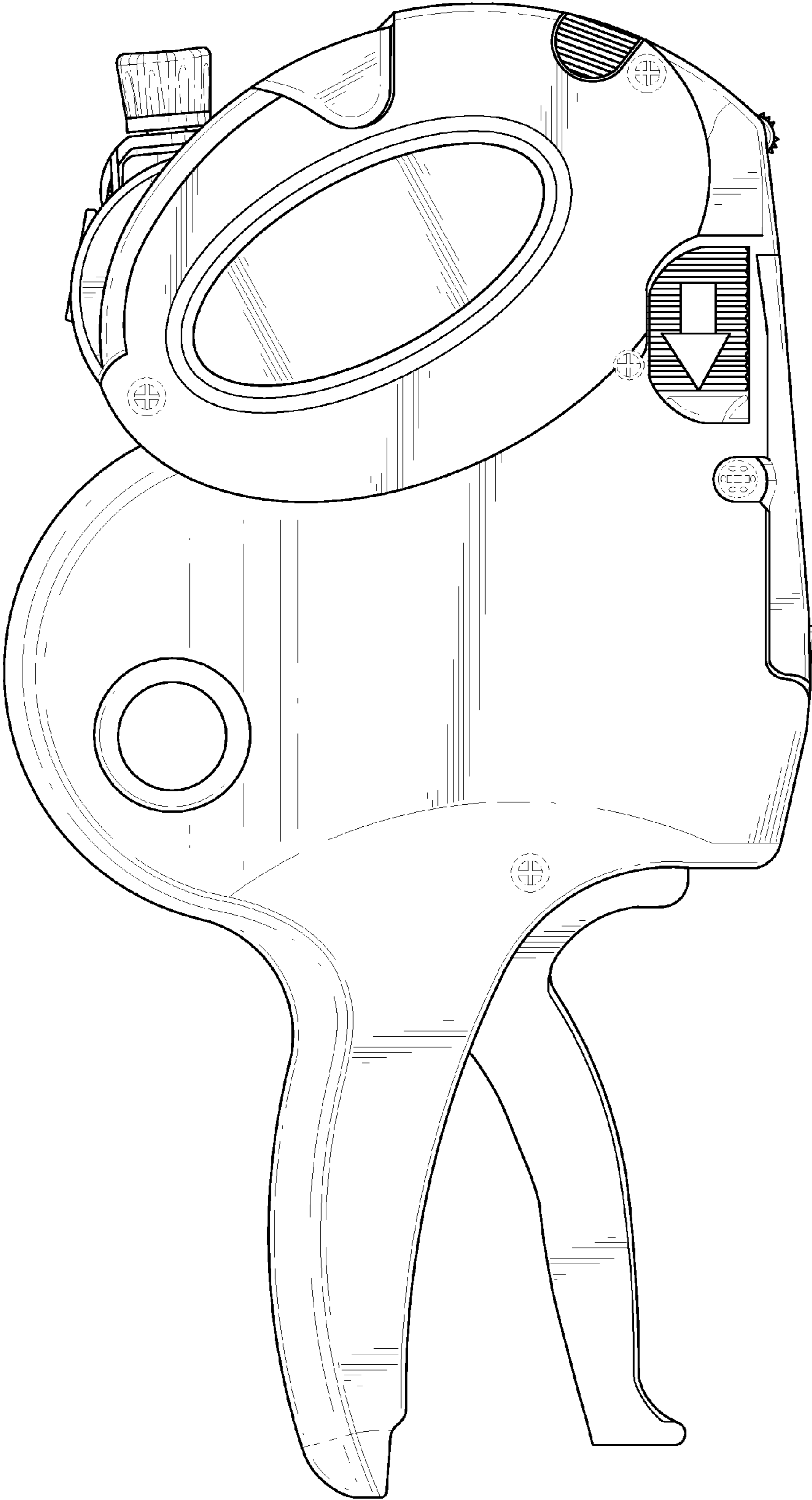


FIG. 3

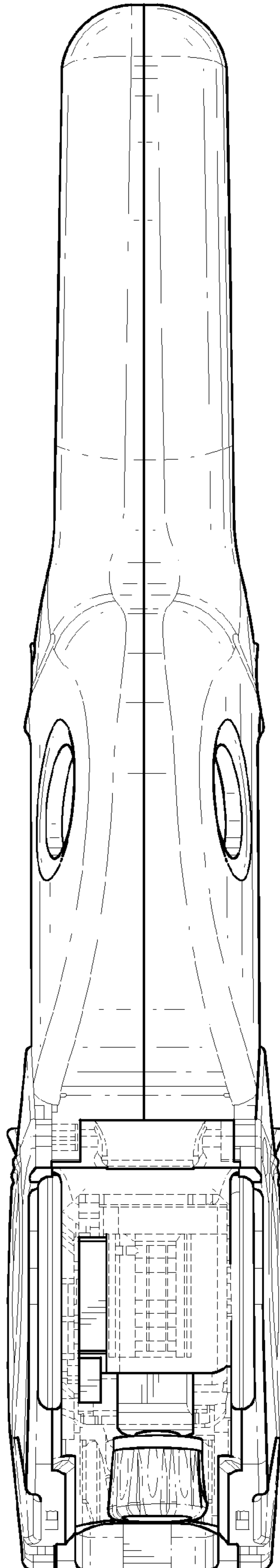


FIG. 4

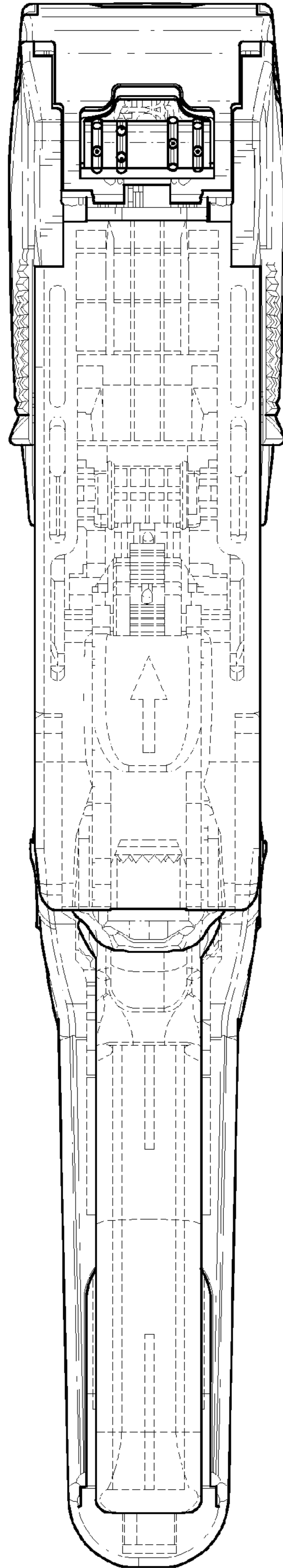


FIG. 5

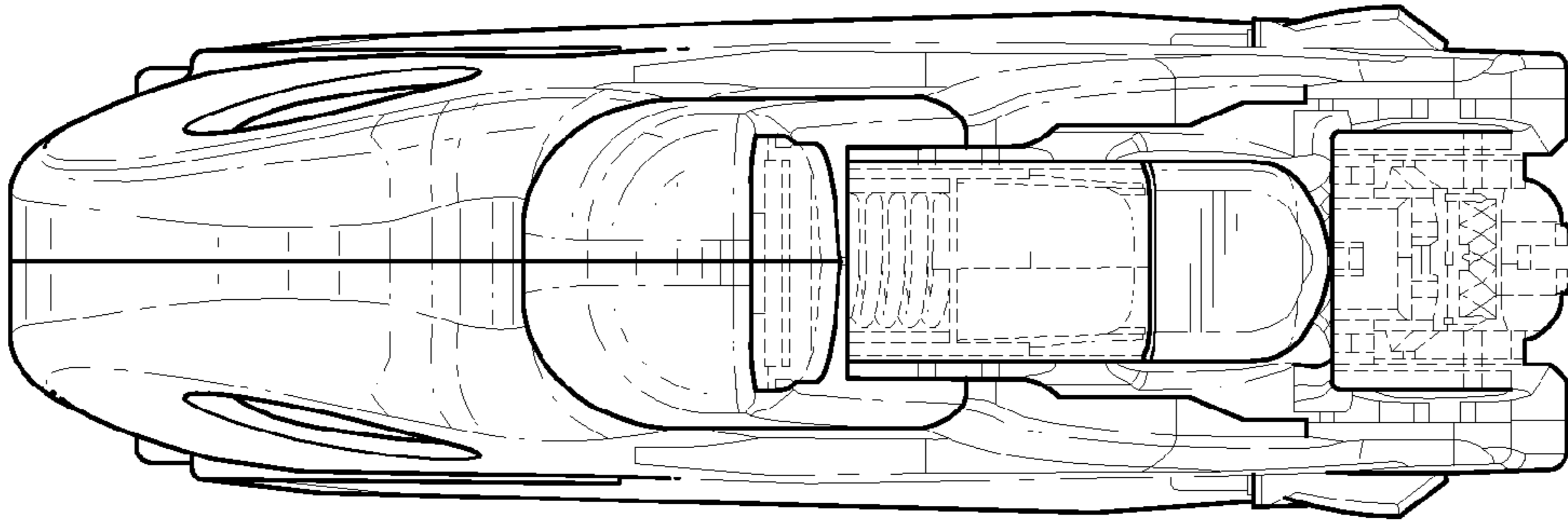


FIG. 7

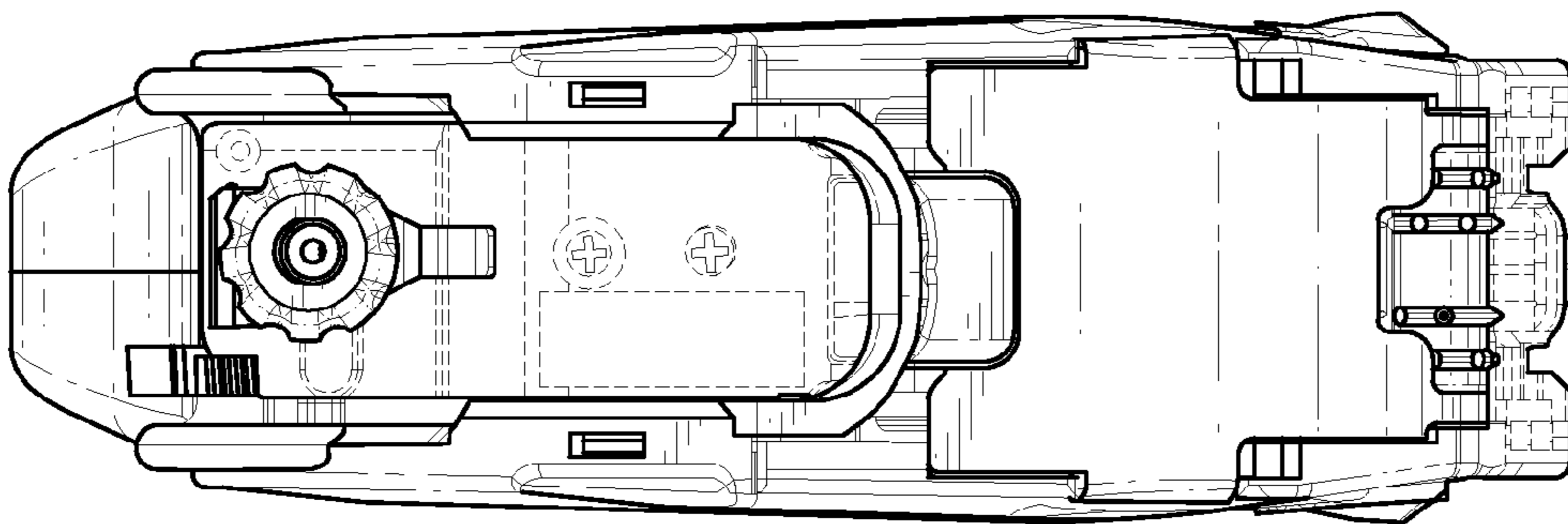


FIG. 6