



US00D641776S

(12) **United States Design Patent**
Race

(10) **Patent No.:** **US D641,776 S**

(45) **Date of Patent:** **** Jul. 19, 2011**

(54) **PAYMENT TERMINAL**

(75) Inventor: **Vincent Race**, Braine-le-Chateau (BE)

(73) Assignee: **Atos Worldline S.A.**, Brussels (BE)

(**) Term: **14 Years**

(21) Appl. No.: **29/342,052**

(22) Filed: **Aug. 18, 2009**

(30) **Foreign Application Priority Data**

Feb. 23, 2009 (WO) DM/071 720

(51) **LOC (9) Cl.** **18-01**

(52) **U.S. Cl.** **D18/4.6**

(58) **Field of Classification Search** D14/336,
D14/371-376, 387; D18/3.1-3.3, 4.1-4.6,
D18/6-8, 11, 12, 12.1-12.3; D21/324, 329,
D21/332; D99/28, 34-36, 43; 235/1 E, 2,
235/7 R, 12, 22, 33, 51, 52; 705/12, 15-18,
705/43

See application file for complete search history.

(56) **References Cited**

U.S. PATENT DOCUMENTS

D347,213 S * 5/1994 Bianco D14/387
D364,386 S * 11/1995 Bramlett et al. D14/387

D414,163 S * 9/1999 Hesselbach D14/387
D502,727 S * 3/2005 Slinckx D18/4.6
D504,147 S * 4/2005 Slinckx D18/4.6
D561,242 S * 2/2008 Dahl D18/4.6
D561,243 S * 2/2008 Dahl D18/4.6
D561,244 S * 2/2008 Dahl D18/4.6
D569,899 S * 5/2008 Dahl D18/4.6

* cited by examiner

Primary Examiner — Garth Rademaker

(74) *Attorney, Agent, or Firm* — Kirschstein, et al.

(57) **CLAIM**

The ornamental design for a payment terminal, as shown.

DESCRIPTION

FIG. 1 is a top, front, and left side, perspective view of a payment terminal according to my design;

FIG. 2 is a bottom, rear, and left side, perspective view thereof;

FIG. 3 is a front elevational view thereof at a reduced scale;

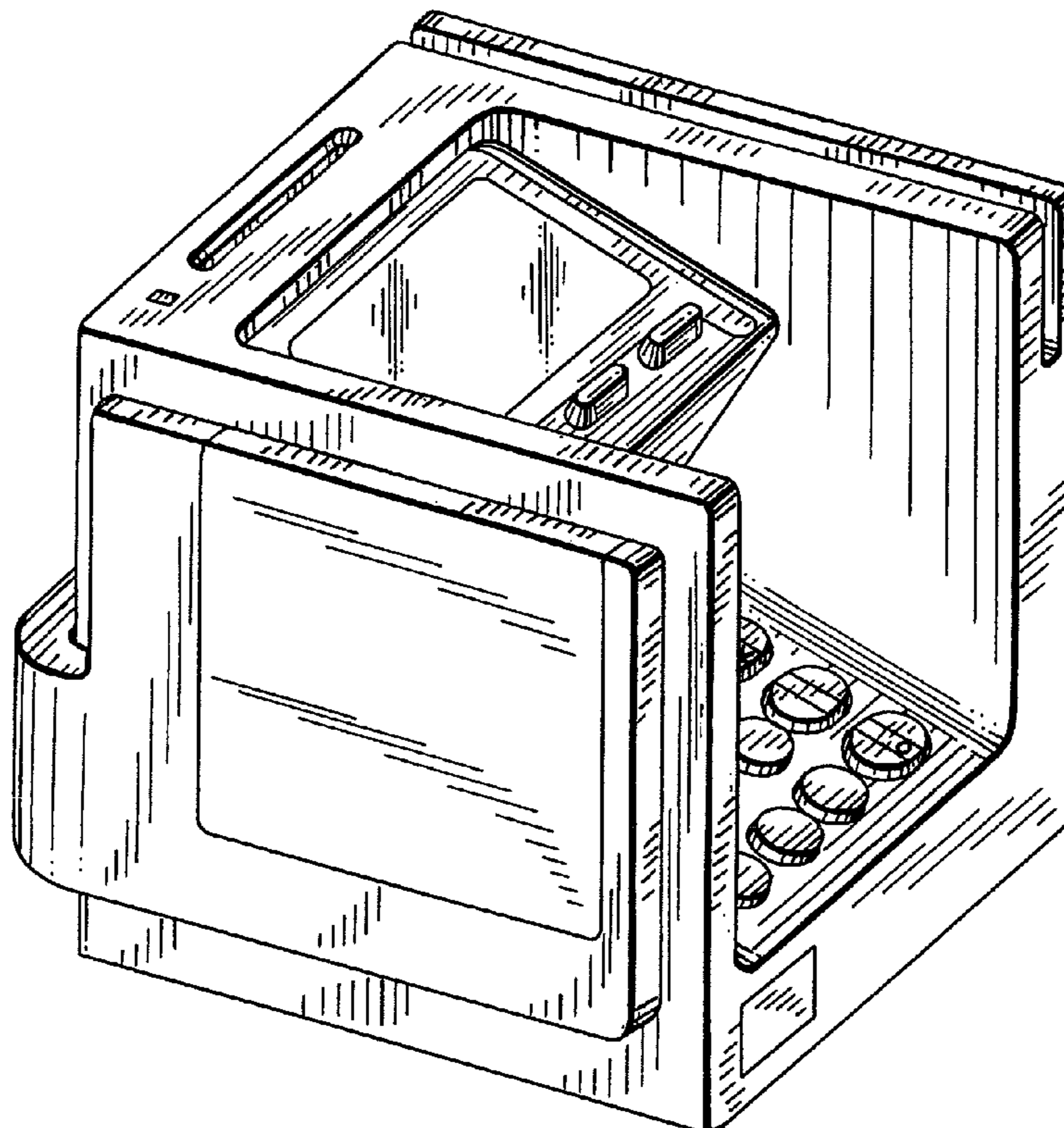
FIG. 4 is a right side elevational view thereof at a reduced scale;

FIG. 5 is a left side elevational view thereof at a reduced scale;

FIG. 6 is a top plan view thereof at a reduced scale; and,

FIG. 7 is rear elevational view thereof at a reduced scale.

1 Claim, 4 Drawing Sheets



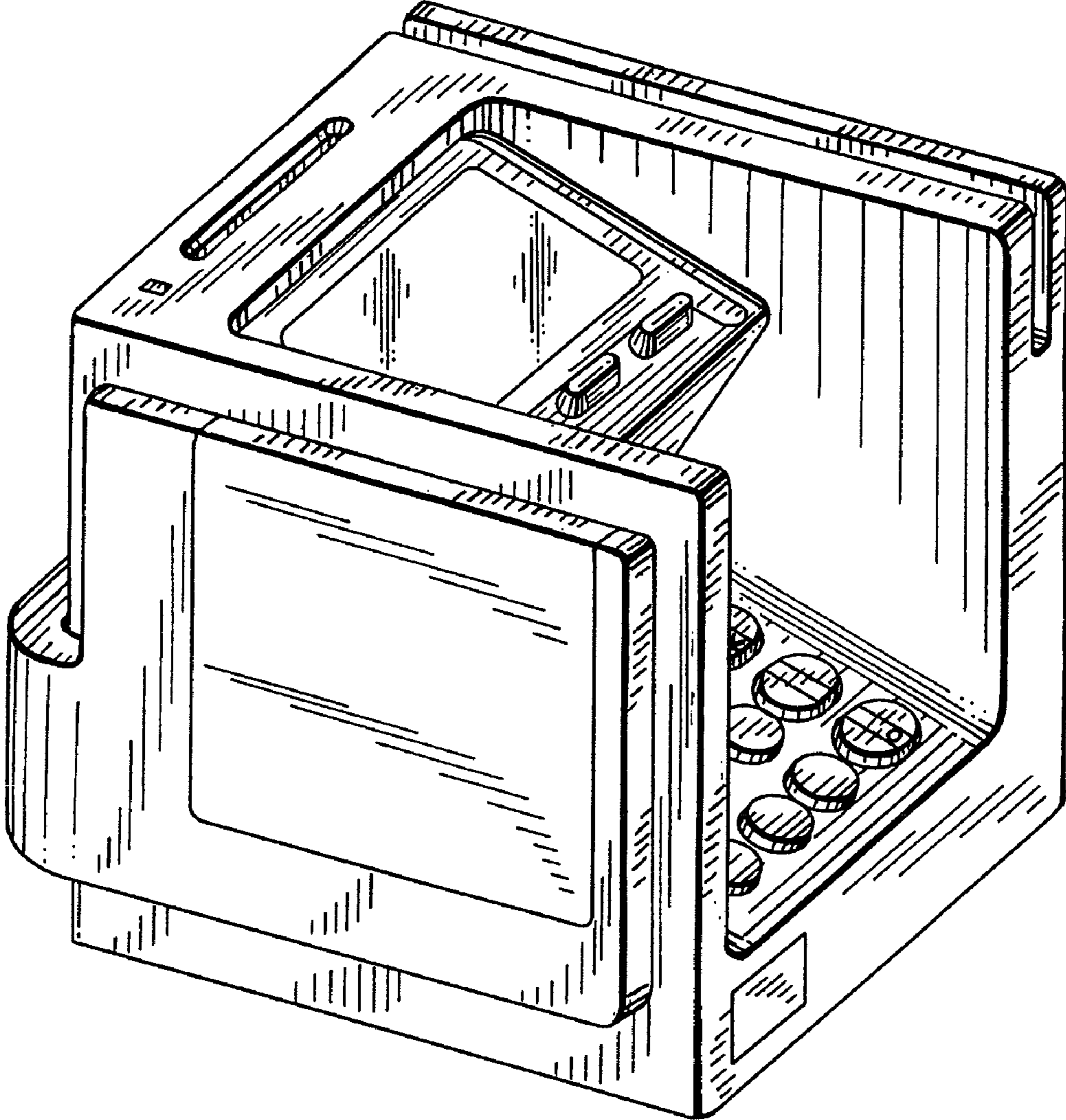


FIG. 1

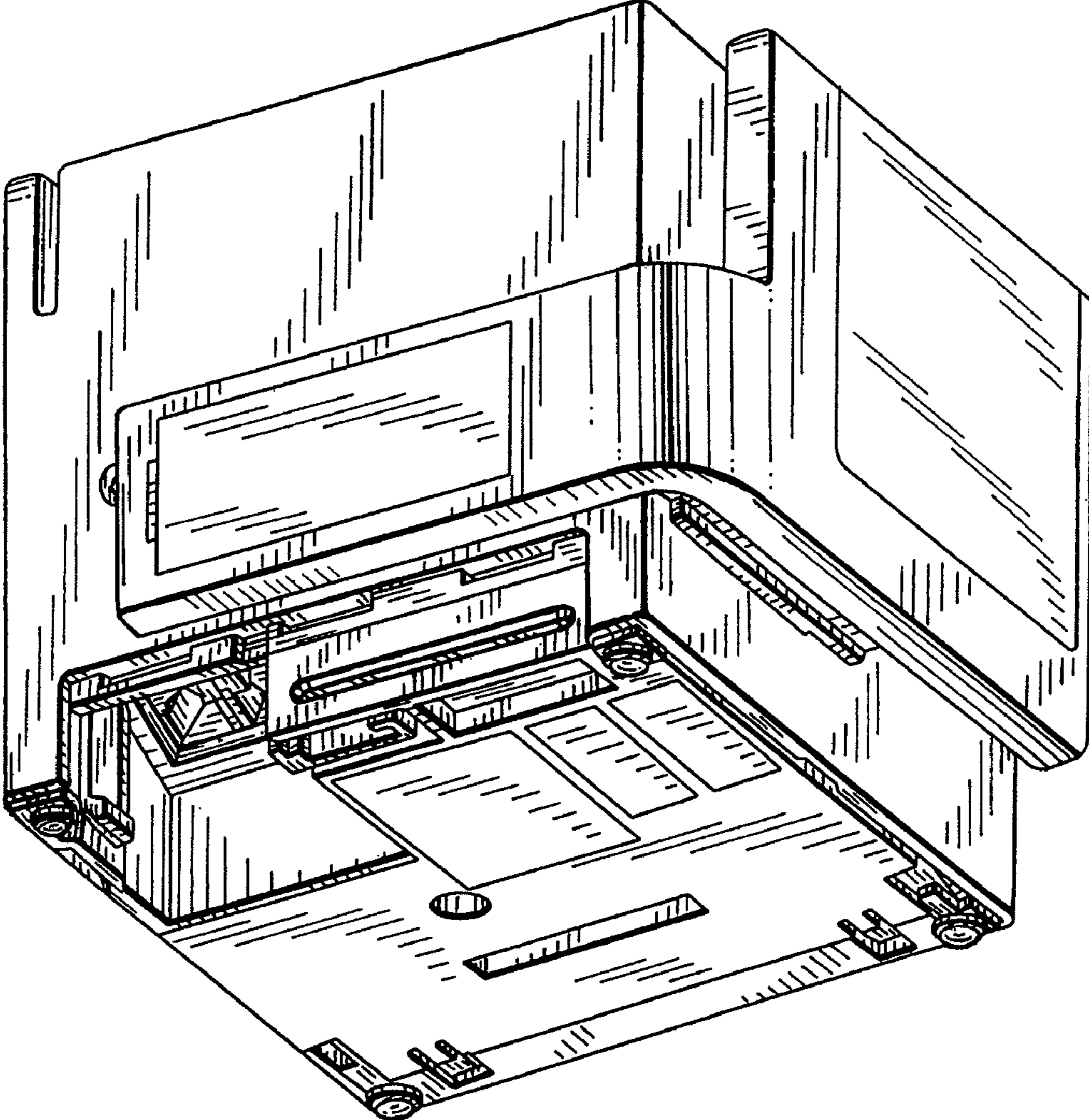


FIG. 2

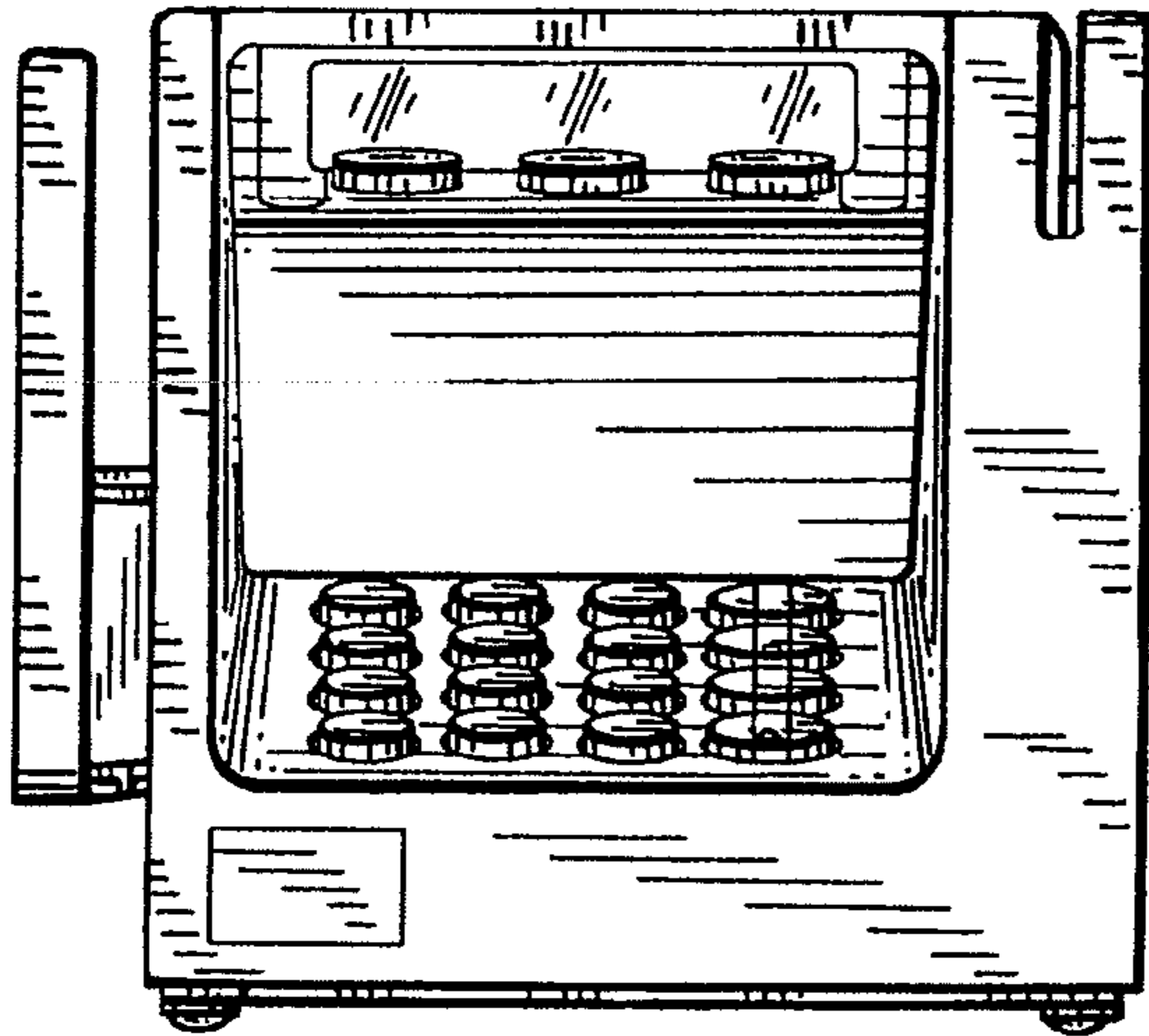


FIG. 3

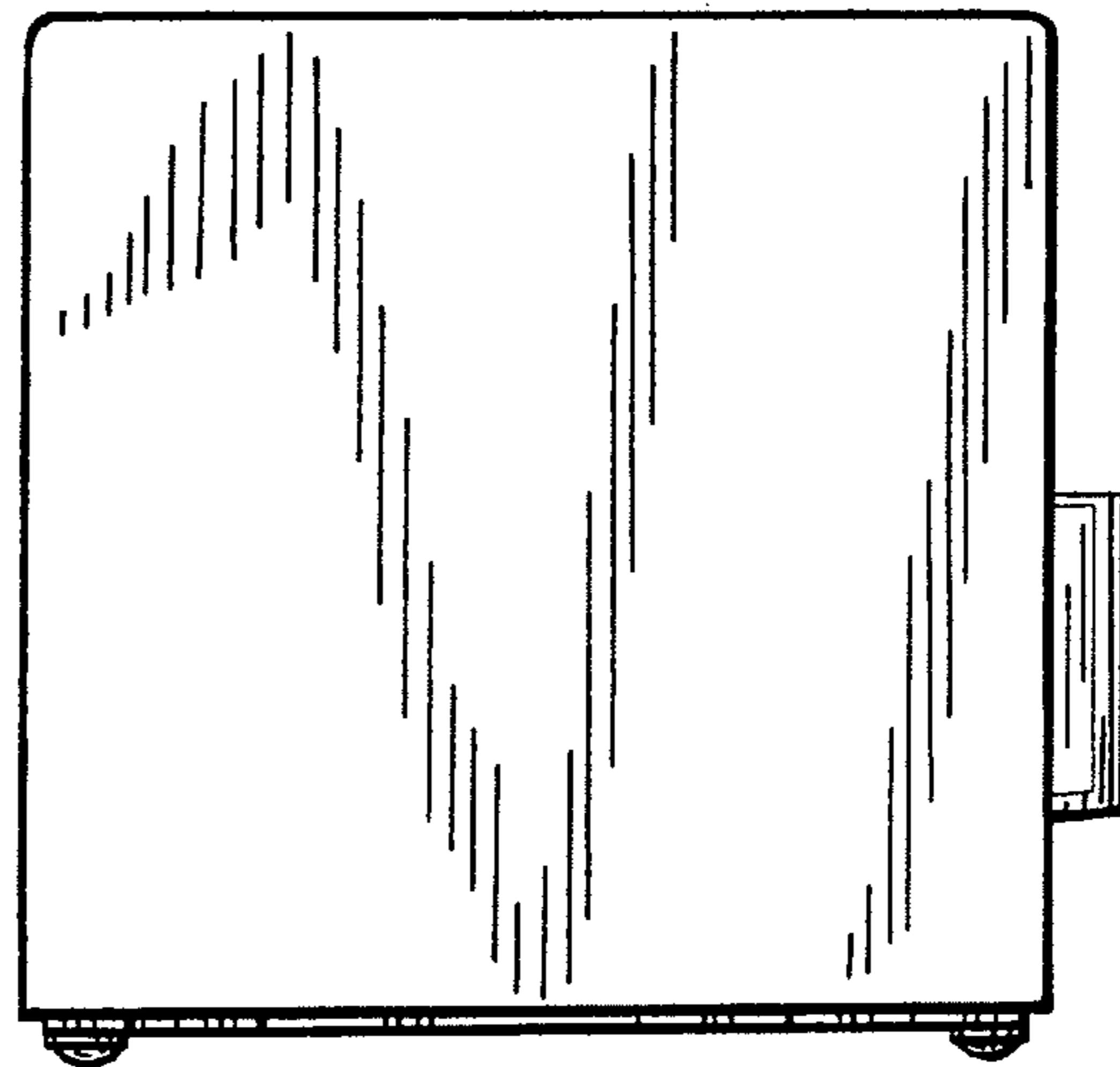


FIG. 4

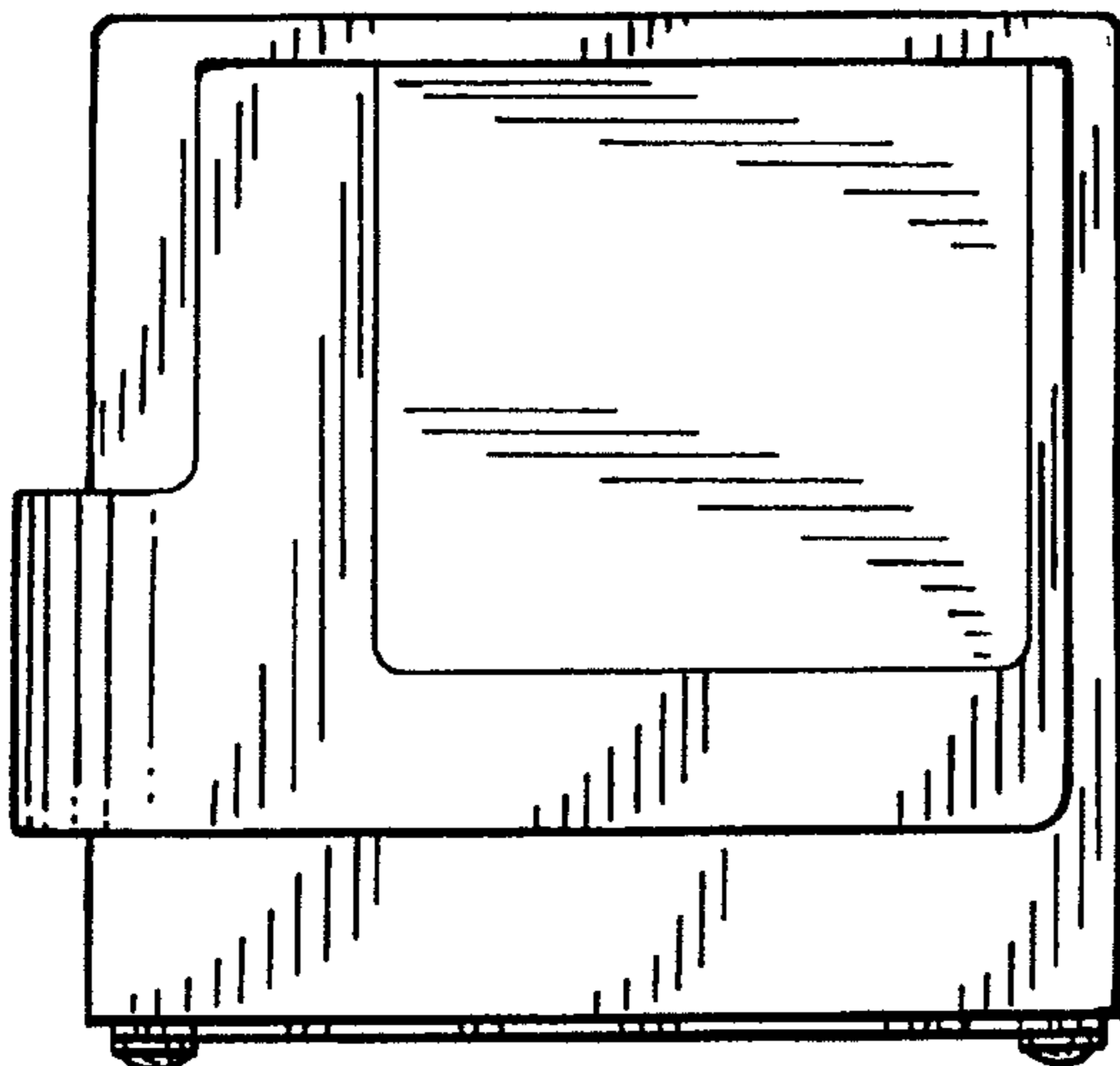


FIG. 5

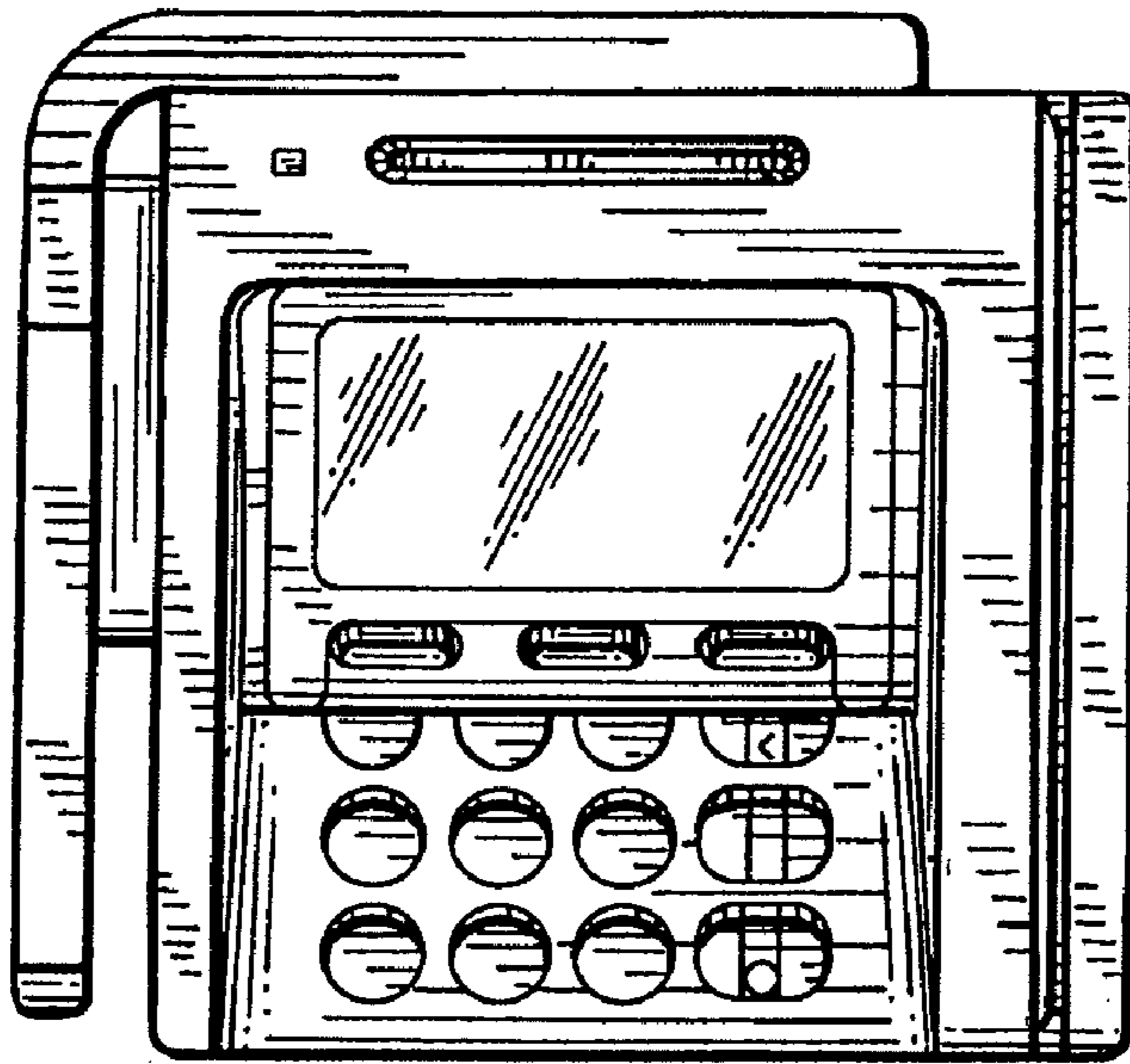


FIG. 6

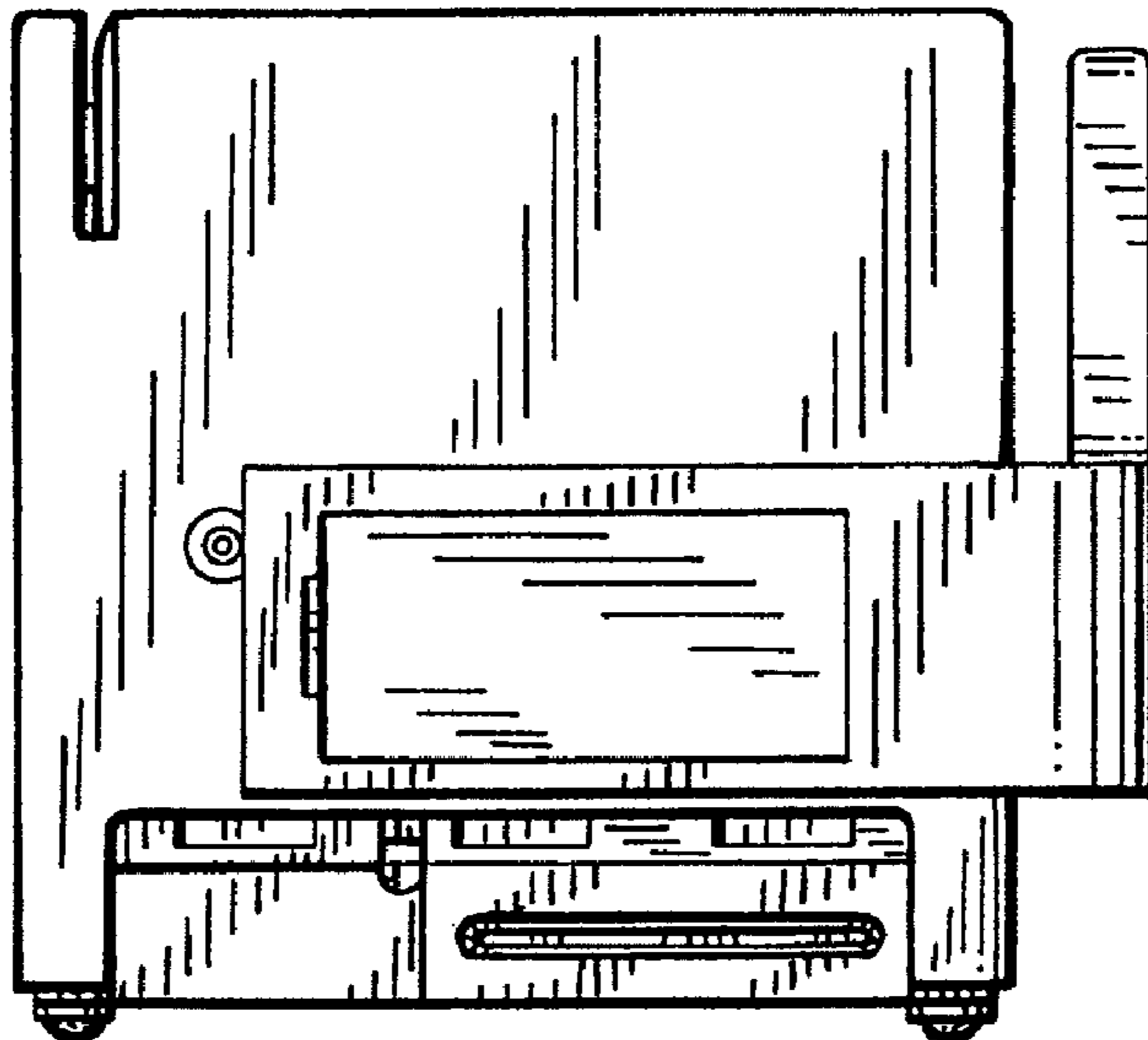


FIG. 7