



US00D641775S

(12) **United States Design Patent**
Cobb

(10) **Patent No.:** **US D641,775 S**
(45) **Date of Patent:** **** Jul. 19, 2011**

(54) **PAGE TURNING DEVICE**

(76) **Inventor:** **Joseph W. Cobb**, Burlington, NC (US)

(**) **Term:** **14 Years**

(21) **Appl. No.:** **29/377,410**

(22) **Filed:** **Oct. 21, 2010**

(51) **LOC (9) Cl.** **17-99**

(52) **U.S. Cl.** **D17/99**

(58) **Field of Classification Search** D17/99;
84/453, 486, 487, 489, 504, 506, 517; D19/86;
D20/21; 40/518, 531; 248/441.1, 444.1
See application file for complete search history.

(56) **References Cited**

U.S. PATENT DOCUMENTS

692,320	A *	2/1902	Lombarderg	84/486
897,534	A *	9/1908	Hildebrandt	84/490
1,259,792	A *	3/1918	Simons	84/504
1,605,258	A	11/1926	Meiszner	84/508
2,991,680	A *	7/1961	Elliott	84/517
3,939,587	A	2/1976	Weststrom	40/104
4,040,195	A	8/1977	Claypool et al.	40/341
4,346,641	A	8/1982	Kobayashi	84/487
D266,571	S *	10/1982	Charbonneau	D19/76
D269,683	S	7/1983	Barbour	D17/99
4,423,659	A *	1/1984	Cassels-Brown	84/486
4,463,651	A *	8/1984	Hammer	84/504
4,644,675	A *	2/1987	Berger et al.	40/531
5,052,266	A	10/1991	Burster	84/493
5,203,248	A	4/1993	Carr et al.	84/487
D346,286	S *	4/1994	Caponigro et al.	D6/419

5,575,097	A	11/1996	Chou et al.	40/531
D385,900	S *	11/1997	Lyle	D17/9
6,049,033	A	4/2000	Dallas	84/486
6,107,558	A	8/2000	Cowan	84/488
6,215,058	B1	4/2001	Molchak et al.	84/486
D527,037	S *	8/2006	Berg	D17/99
7,238,872	B1	7/2007	Edwards et al.	84/486
7,435,892	B1 *	10/2008	Goin et al.	84/486
D603,892	S *	11/2009	Davis	D17/99
2008/0060500	A1	3/2008	La et al.	84/486

* cited by examiner

Primary Examiner — Ian Simmons

Assistant Examiner — Rashida Johnson

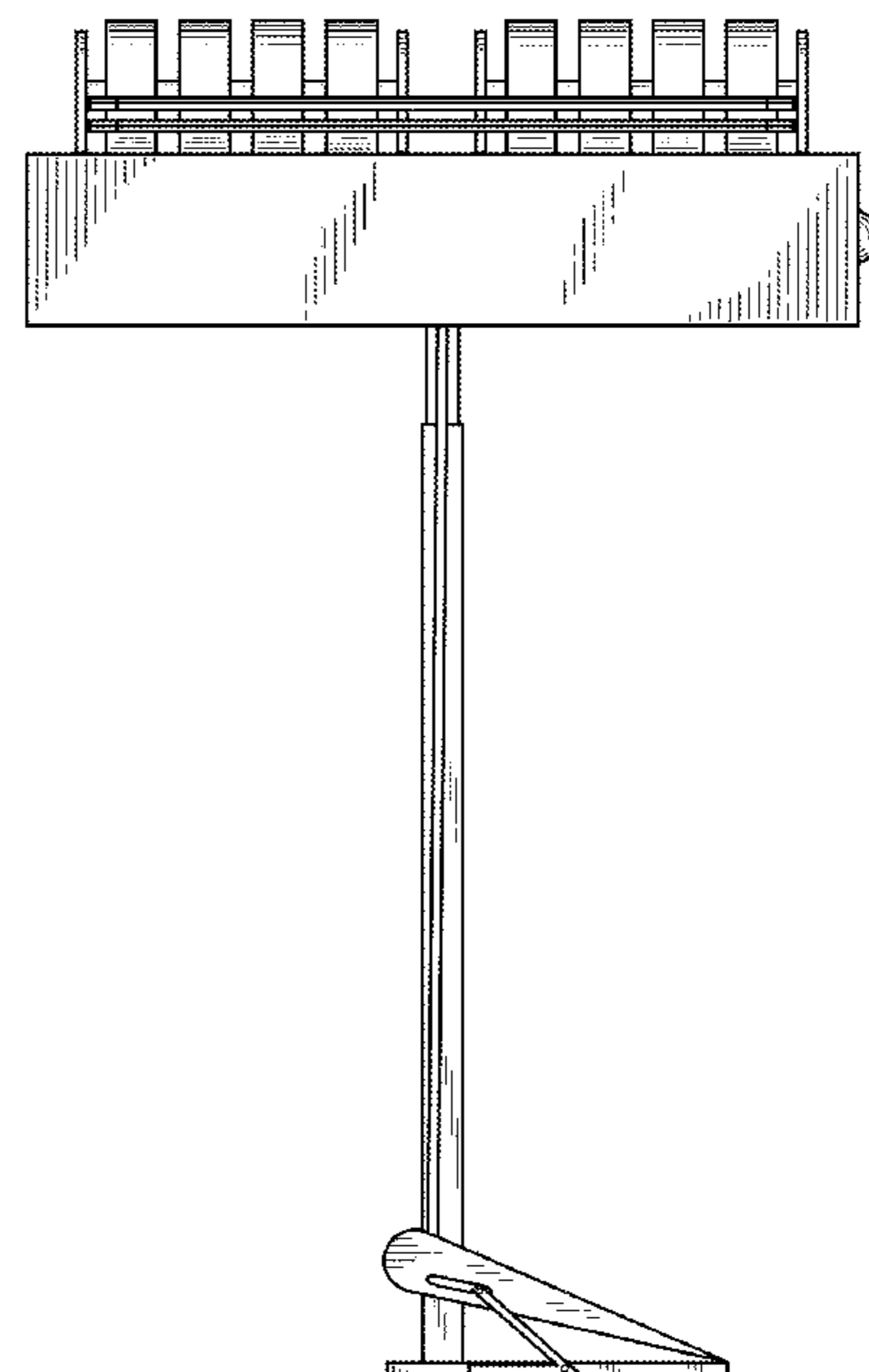
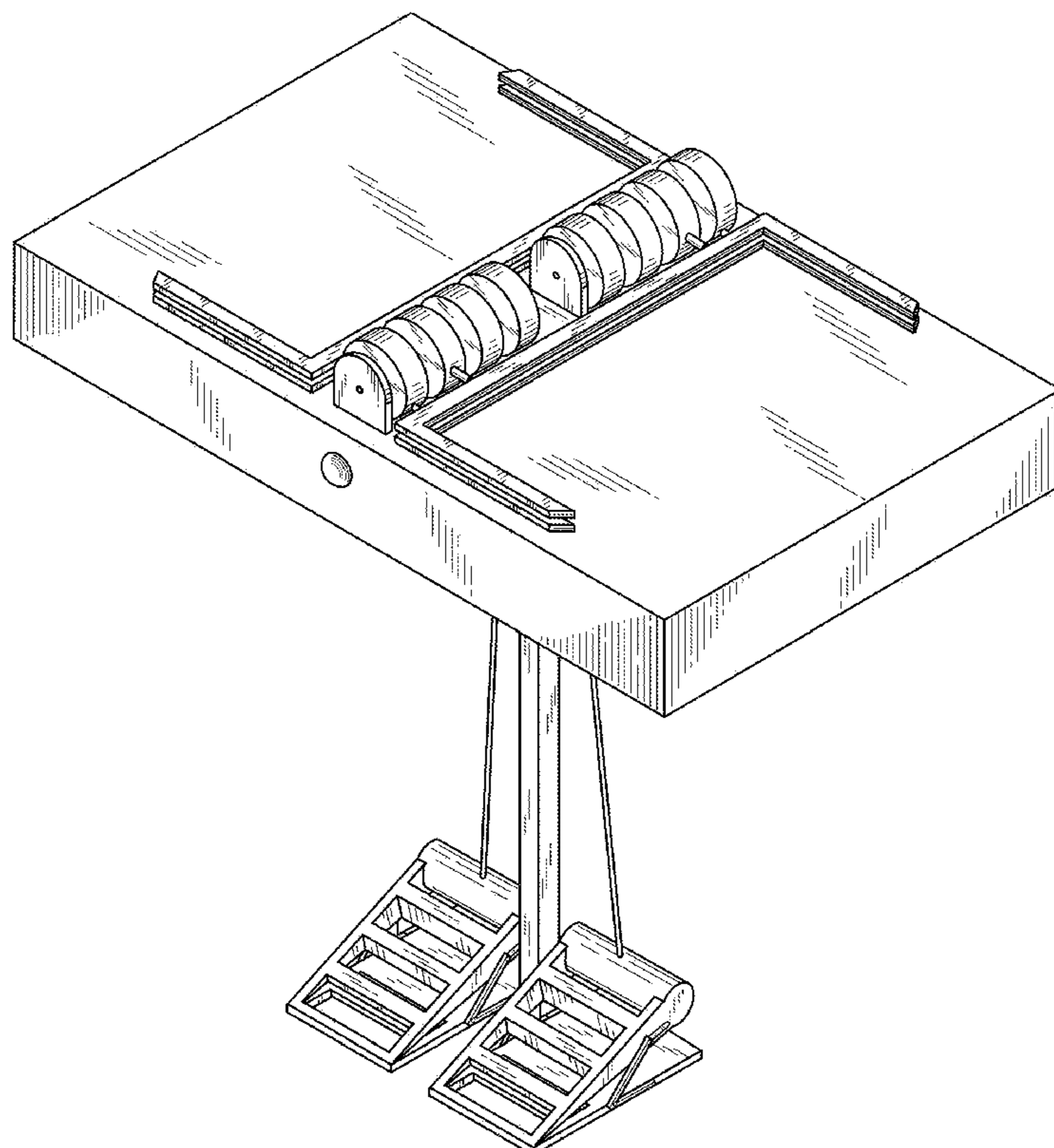
(57) **CLAIM**

The ornamental design for a page turning device, as shown and described.

DESCRIPTION

FIG. 1 is a top, front, right side perspective view of a page turning device showing my new design;
FIG. 2 is a top plan view thereof with pages shown in dashed lines, the pages form no part of the claimed design;
FIG. 3 is a bottom plan view thereof;
FIG. 4 is a left side elevational view thereof, the right side elevational view being a mirror image thereof;
FIG. 5 is a front elevational view thereof with pages shown in dashed lines, the pages form no part of the claimed design;
and,
FIG. 6 is a rear elevational view thereof.

1 Claim, 5 Drawing Sheets



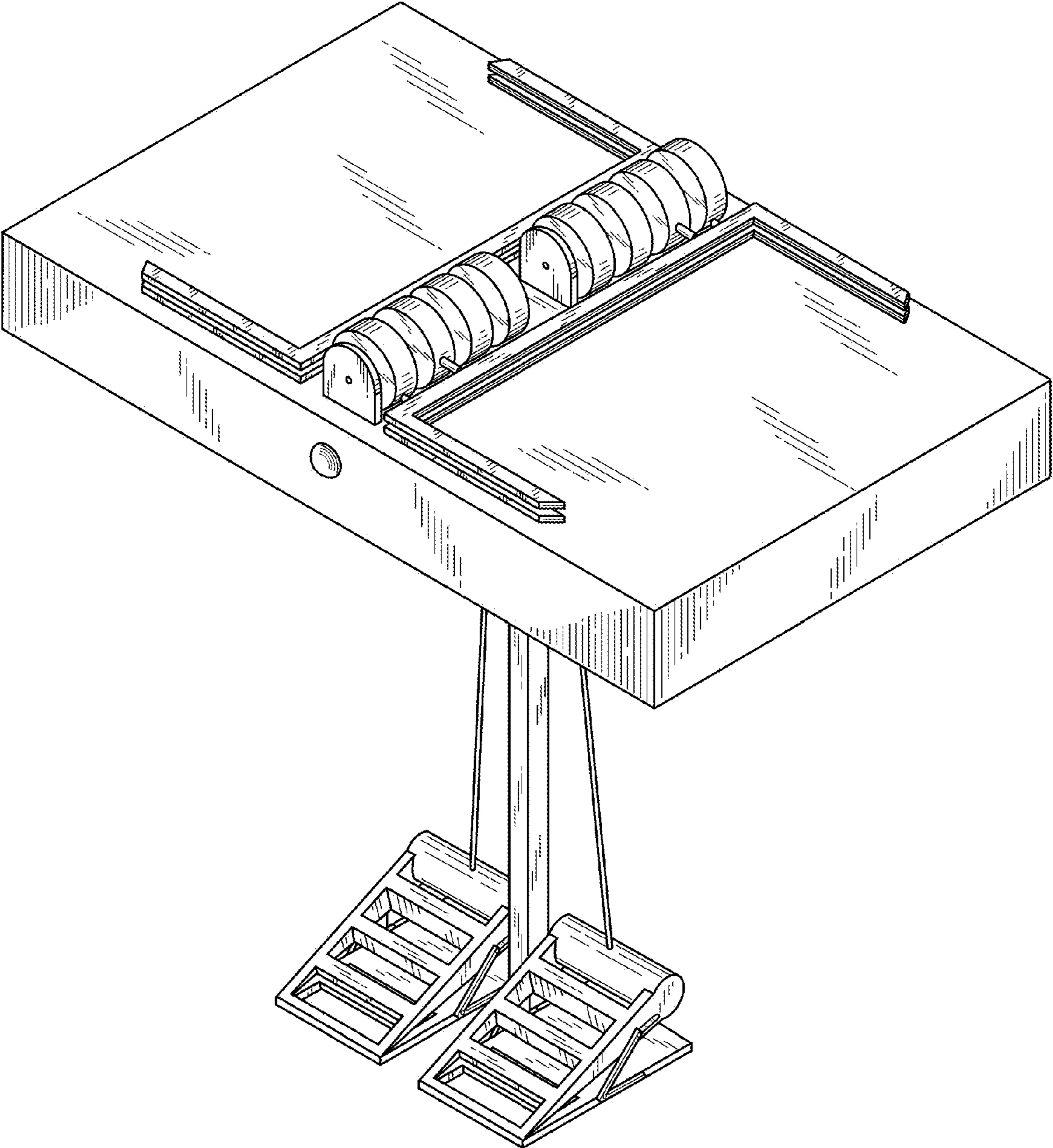


Fig. 1

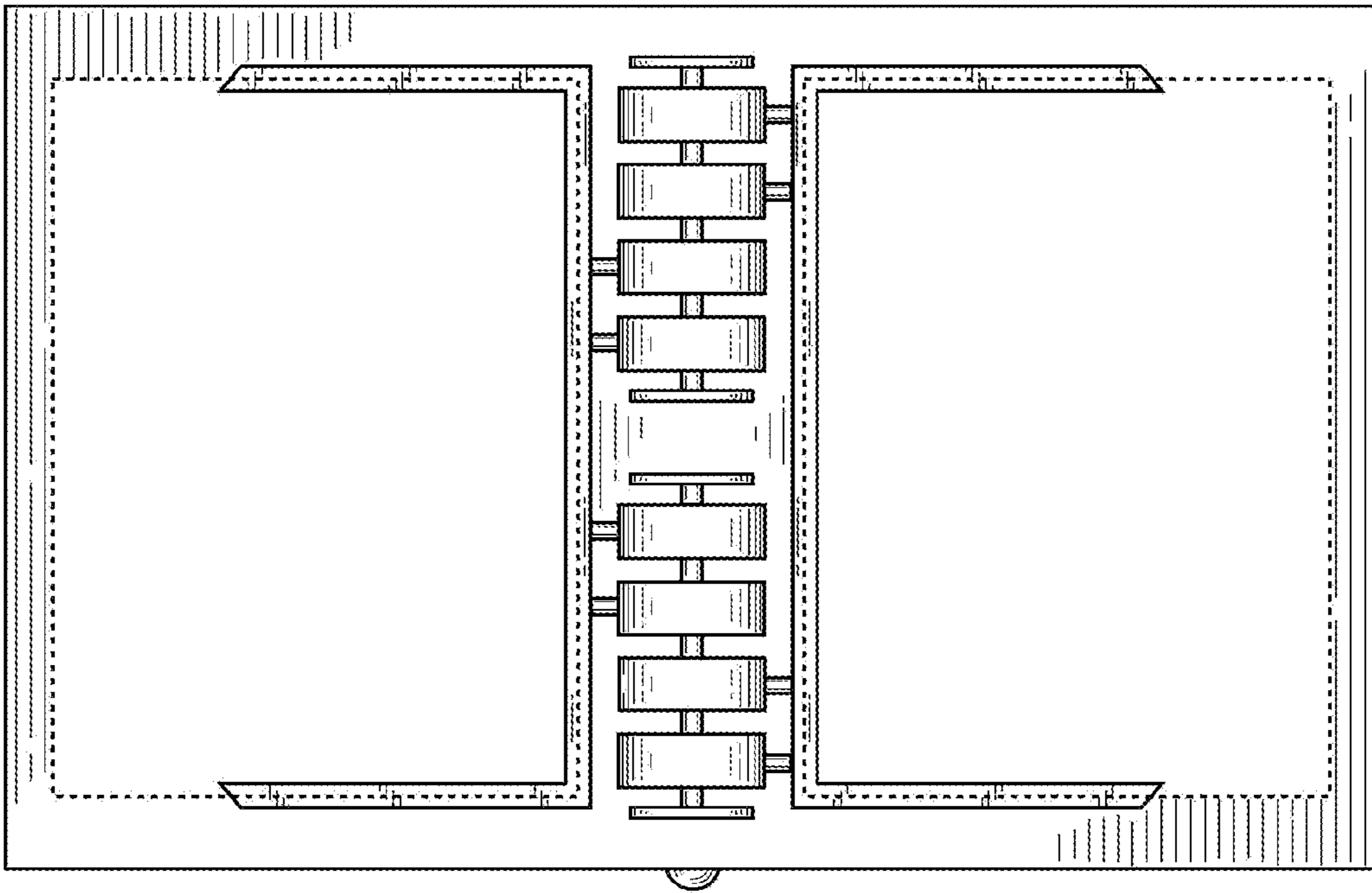


Fig. 2

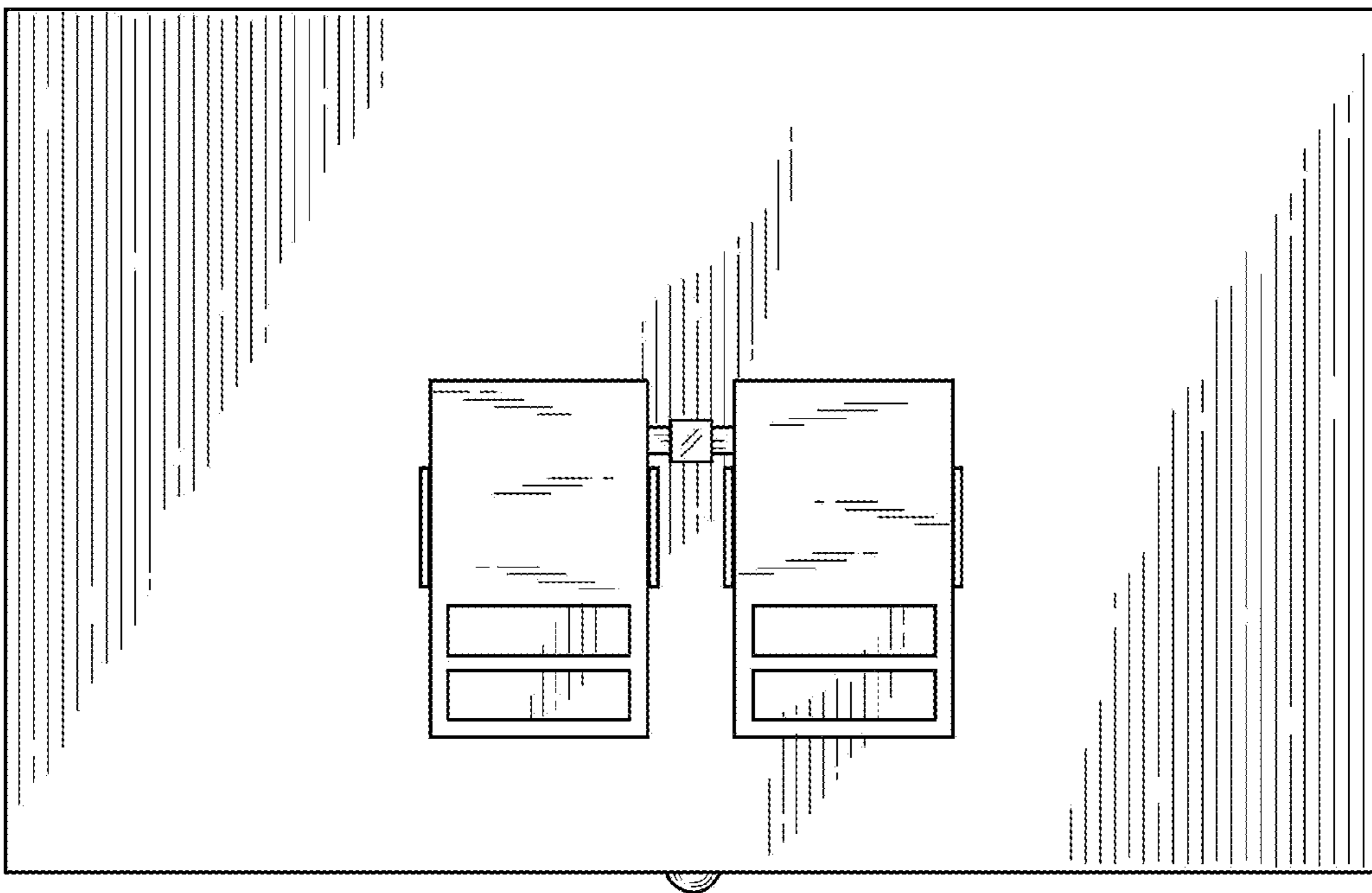


Fig. 3

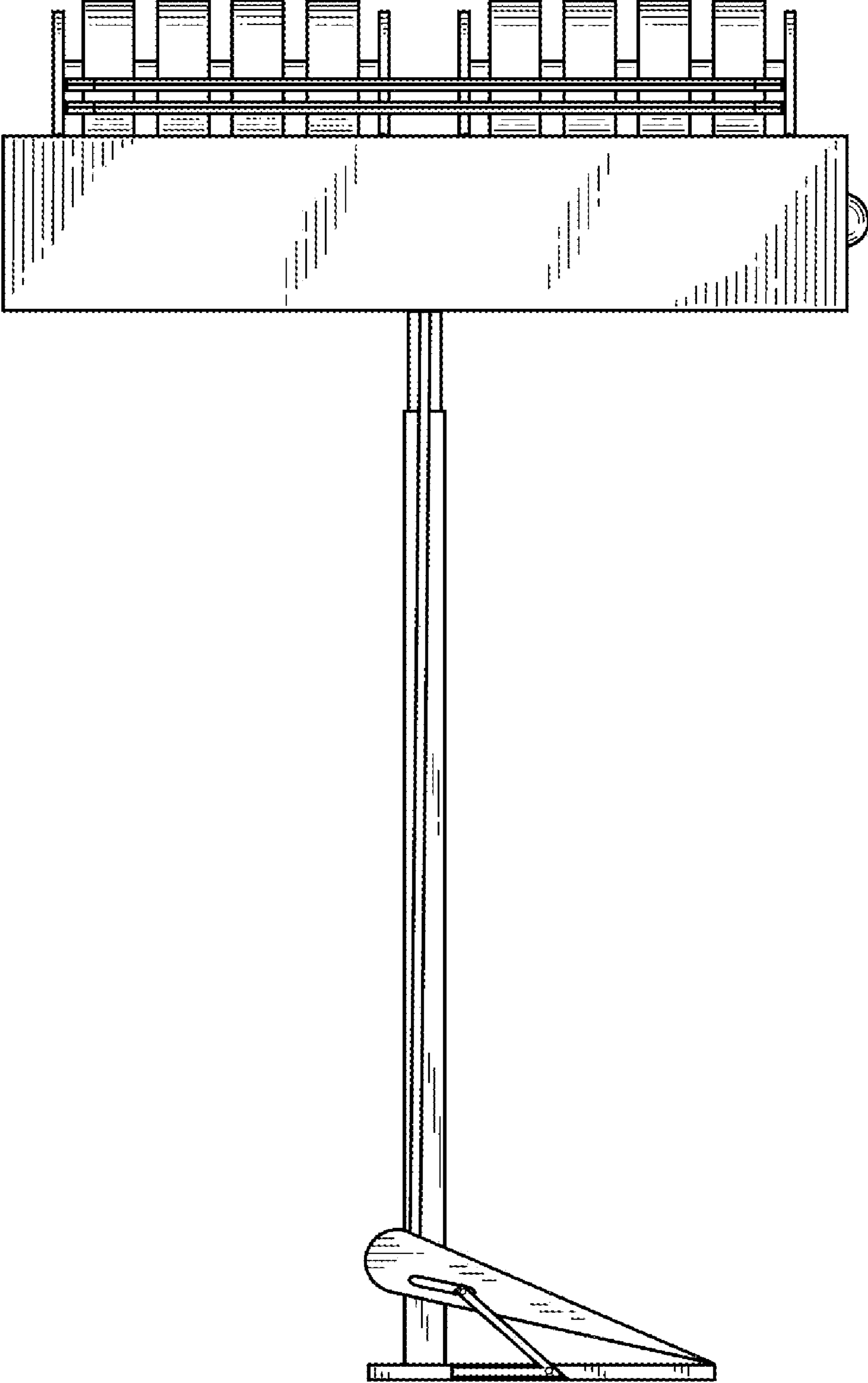


Fig. 4

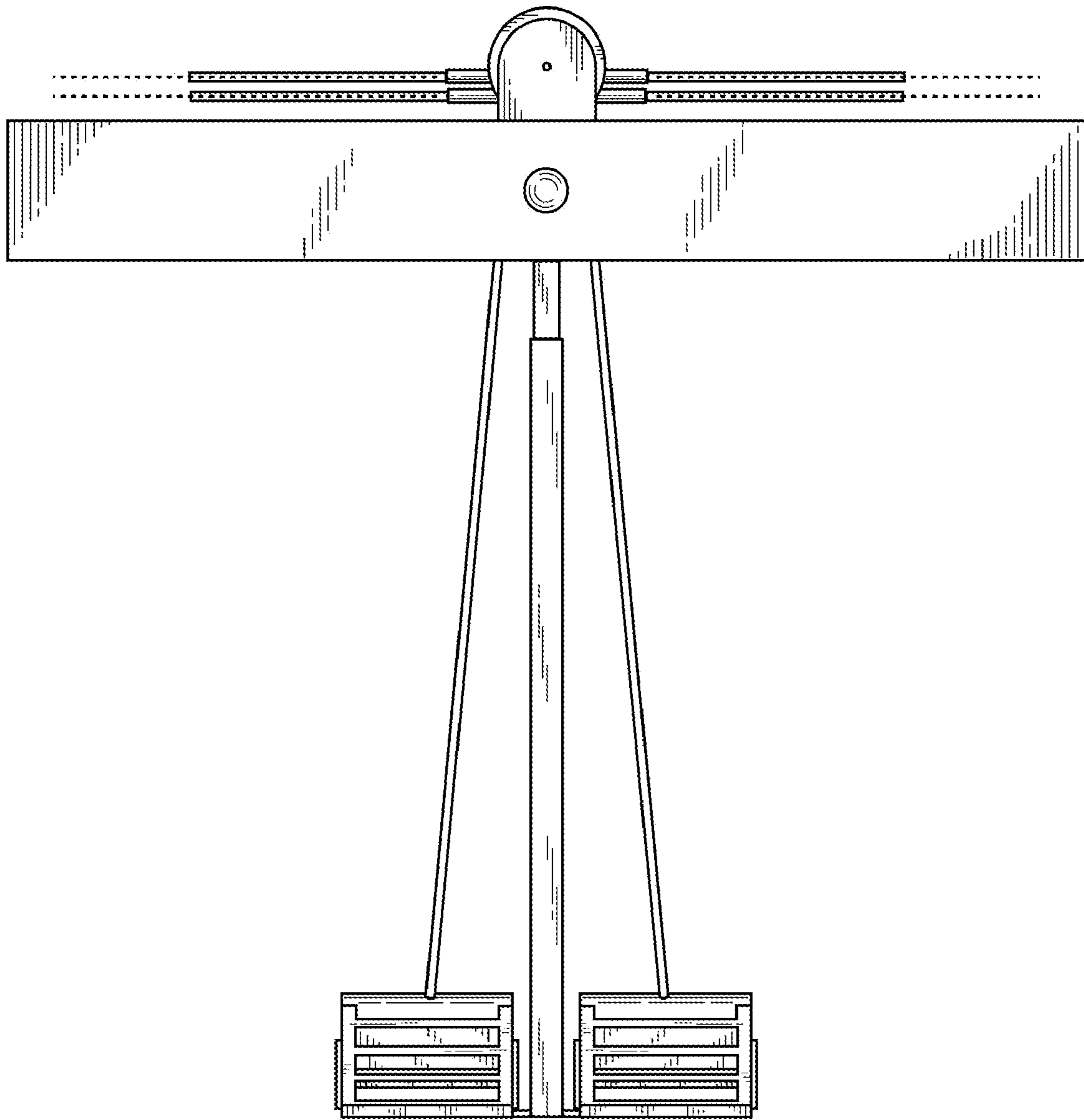


Fig. 5

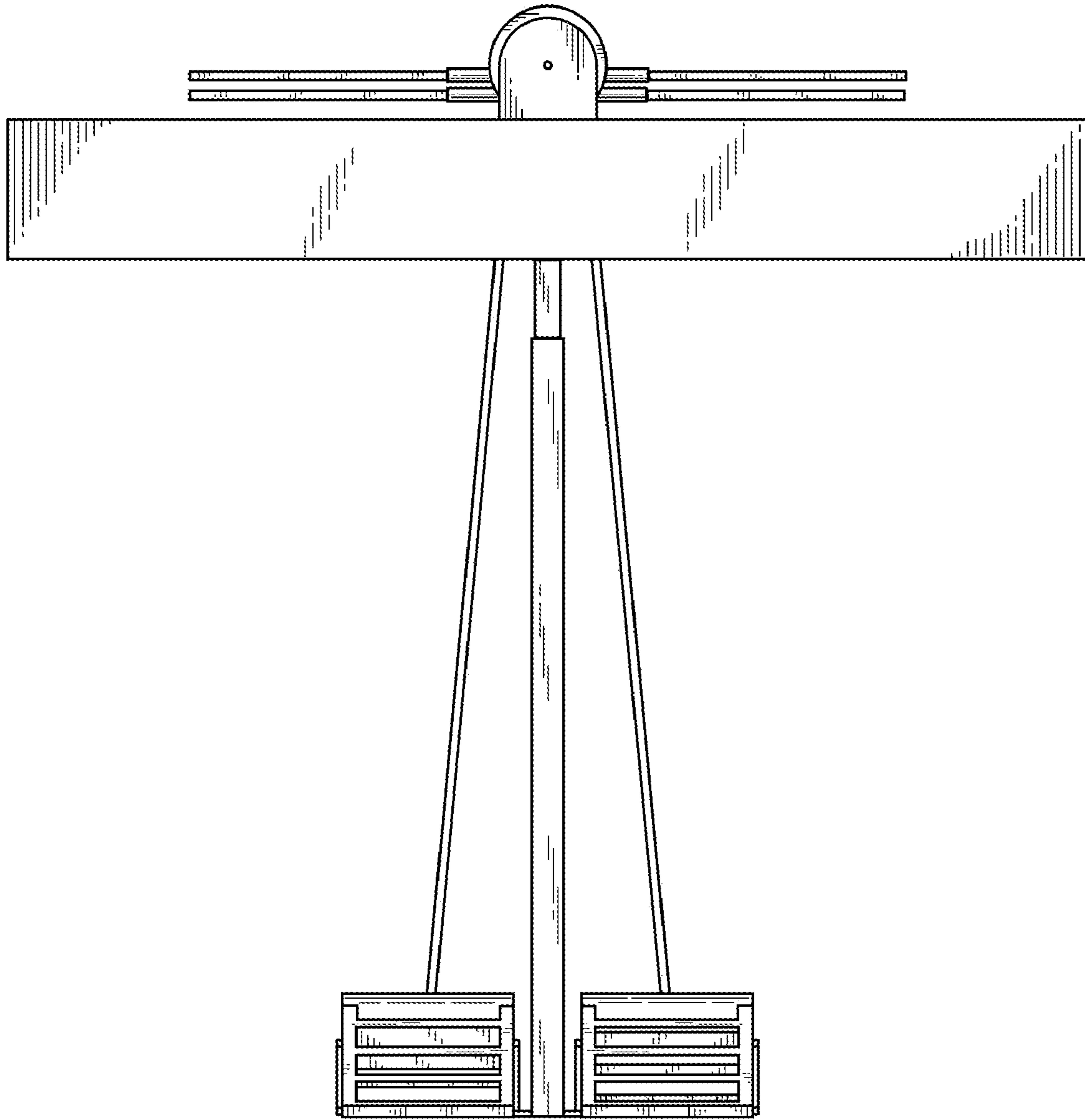


Fig. 6