



US00D641773S

(12) **United States Design Patent**
Rix

(10) **Patent No.:** **US D641,773 S**

(45) **Date of Patent:** **** Jul. 19, 2011**

(54) **COMPACT PARAPET MOUNT FOR
PENDENT STYLE CAMERA HOUSING**

(75) Inventor: **John F. Rix**, Tucson, AZ (US)

(73) Assignee: **IPVision, Inc.**, Tucson, AZ (US)

(**) Term: **14 Years**

(21) Appl. No.: **29/329,660**

(22) Filed: **Dec. 18, 2008**

(51) **LOC (9) Cl.** **16-05**

(52) **U.S. Cl.** **D16/242**

(58) **Field of Classification Search** D8/354,
D8/355; D16/237, 242; 248/176.1, 187.1;
352/243; 396/419, 428

See application file for complete search history.

(56) **References Cited**

U.S. PATENT DOCUMENTS

211,050 A	12/1878	Reynolds	281/27.3
944,022 A	12/1909	Eken	24/555
2,018,198 A	10/1935	Baggett	24/555
3,286,963 A	11/1966	Bergman	248/74.2
3,458,110 A	7/1969	Goldman	229/125.12
D288,407 S	2/1987	St. Alban	D8/354
4,936,466 A *	6/1990	Nava	248/176.1
D322,551 S	12/1991	Tosevski	D8/349
D337,333 S	7/1993	Turk	D8/355
D340,940 S	11/1993	Ellenberger et al.	D16/242
5,260,731 A	11/1993	Baker	396/428
D342,011 S	12/1993	Maguire	D8/349
5,469,236 A	11/1995	Roessel	396/432
D367,284 S	2/1996	Hoerter	D16/242
5,497,214 A	3/1996	Labree	396/428
5,607,131 A	3/1997	Adams	248/215
D384,106 S	9/1997	Shinya	D19/65
D394,669 S	5/1998	Becker et al.	D16/242

5,839,704 A	11/1998	Appleman	248/178.1
D424,087 S	5/2000	Frick et al.	D16/203
D432,671 S	10/2000	Grosfillex	D25/119
D461,485 S	8/2002	Jones et al.	D16/203
D476,550 S	7/2003	Jorgensen	D8/354
D479,146 S	9/2003	Manley	D11/78.1
D498,251 S	11/2004	Invencio	D16/242
D502,956 S	3/2005	Holmes et al.	D16/242
D515,613 S	2/2006	Holmes et al.	D16/242
D541,138 S	4/2007	Whalen et al.	D8/354
D560,472 S	1/2008	Petrucelli	D8/355
D564,005 S	3/2008	Cheng	D16/203
D570,197 S *	6/2008	Svedberg	D8/354
D579,321 S	10/2008	Townley	D8/354
D611,085 S *	3/2010	Rix	D16/242
D612,712 S	3/2010	Rix	D16/242
D620,038 S *	7/2010	Rix	D16/242
2004/0211868 A1	10/2004	Holmes et al.	248/160
2005/0092876 A1	5/2005	Carnevali	248/160

* cited by examiner

Primary Examiner — Adir Aronovich

(74) *Attorney, Agent, or Firm* — Hayes Soloway P.C.

(57) **CLAIM**

The ornamental design for a compact parapet mount for pendent style camera housing, as shown and described.

DESCRIPTION

FIG. 1 is a front and right side perspective view of a compact parapet mount for pendent style camera housing in accordance with my invention;
FIG. 2 is a front elevational view thereof;
FIG. 3 is a rear elevational view thereof;
FIG. 4 is a left side elevational view thereof;
FIG. 5 is a right side elevational view thereof;
FIG. 6 is a top end view thereof; and,
FIG. 7 is a bottom end view thereof.

1 Claim, 7 Drawing Sheets

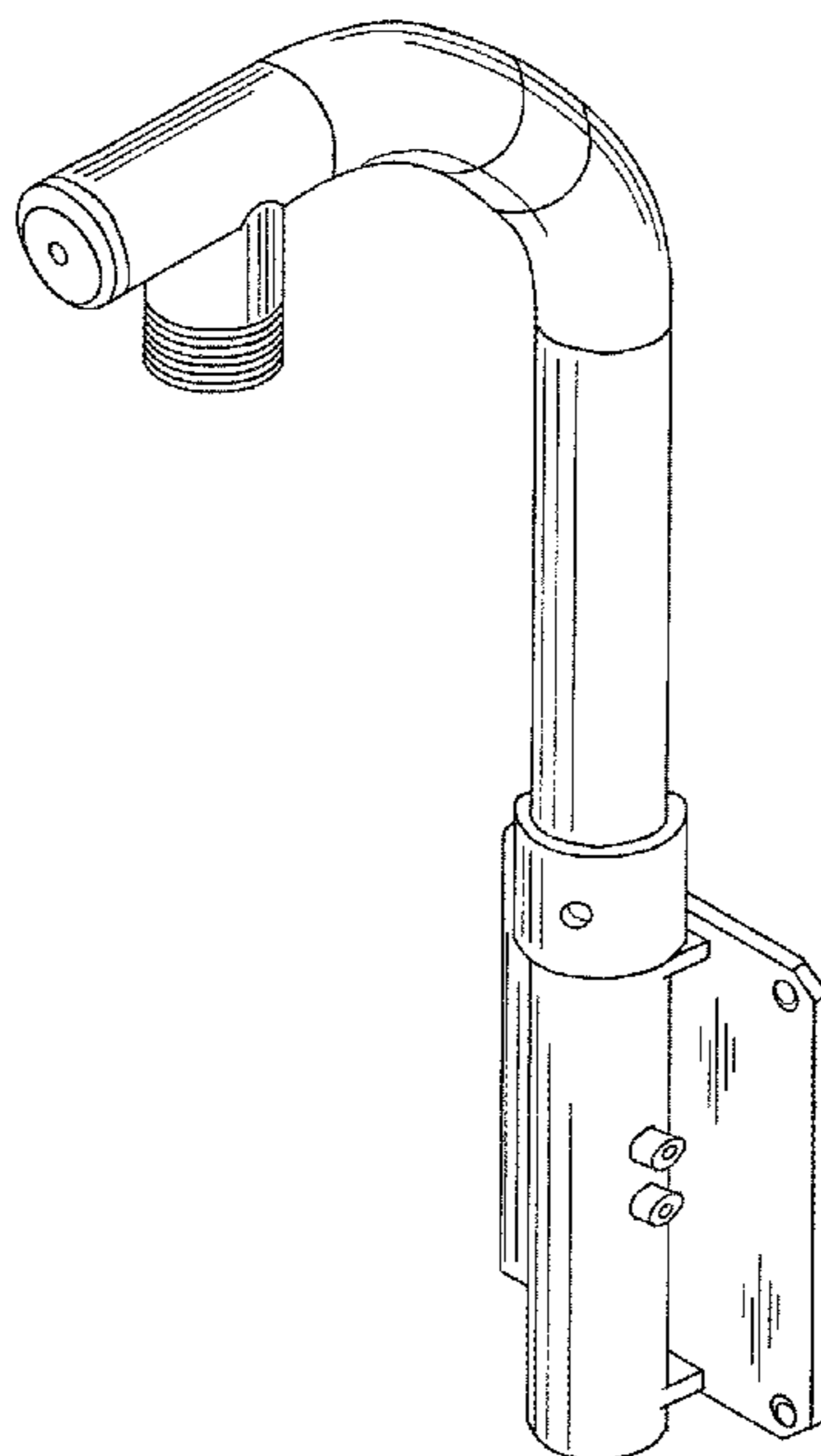


FIG. 1

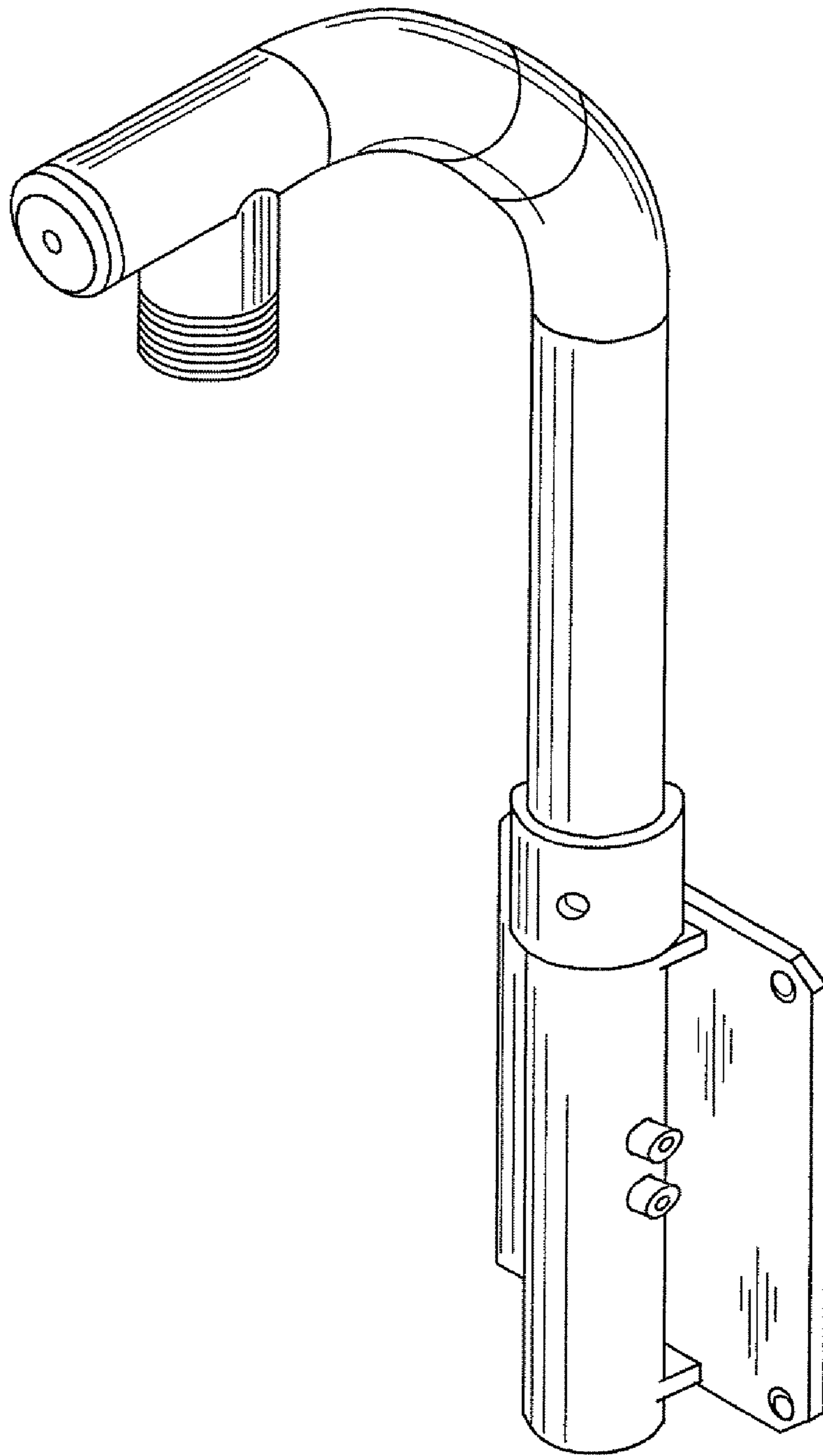


FIG. 2

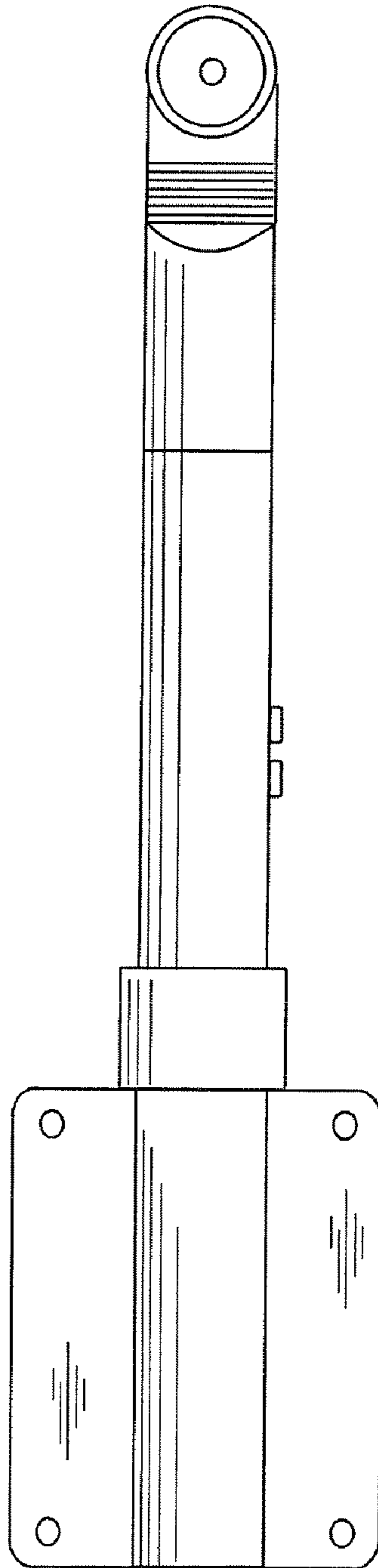


FIG. 3

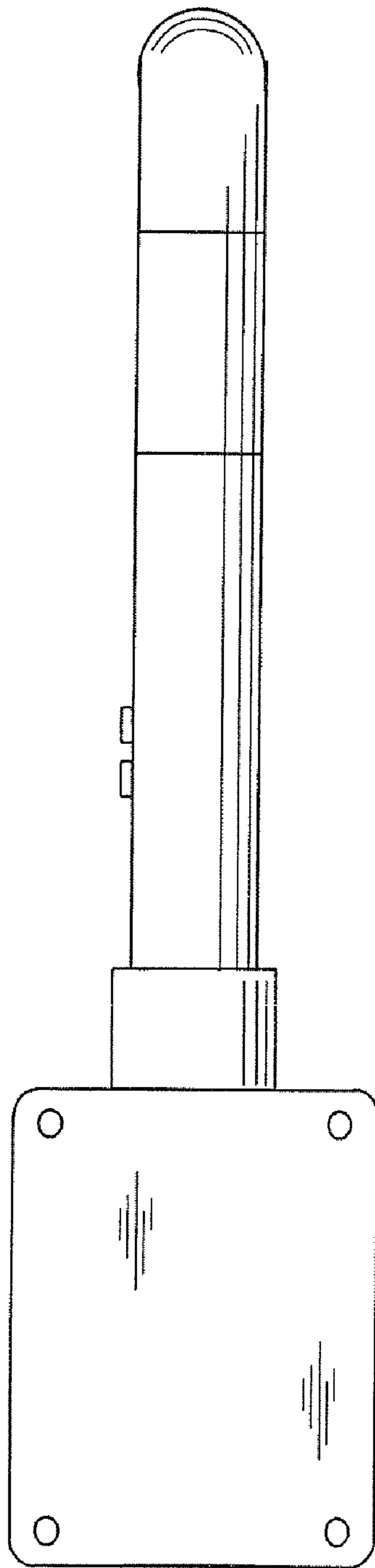


FIG. 4

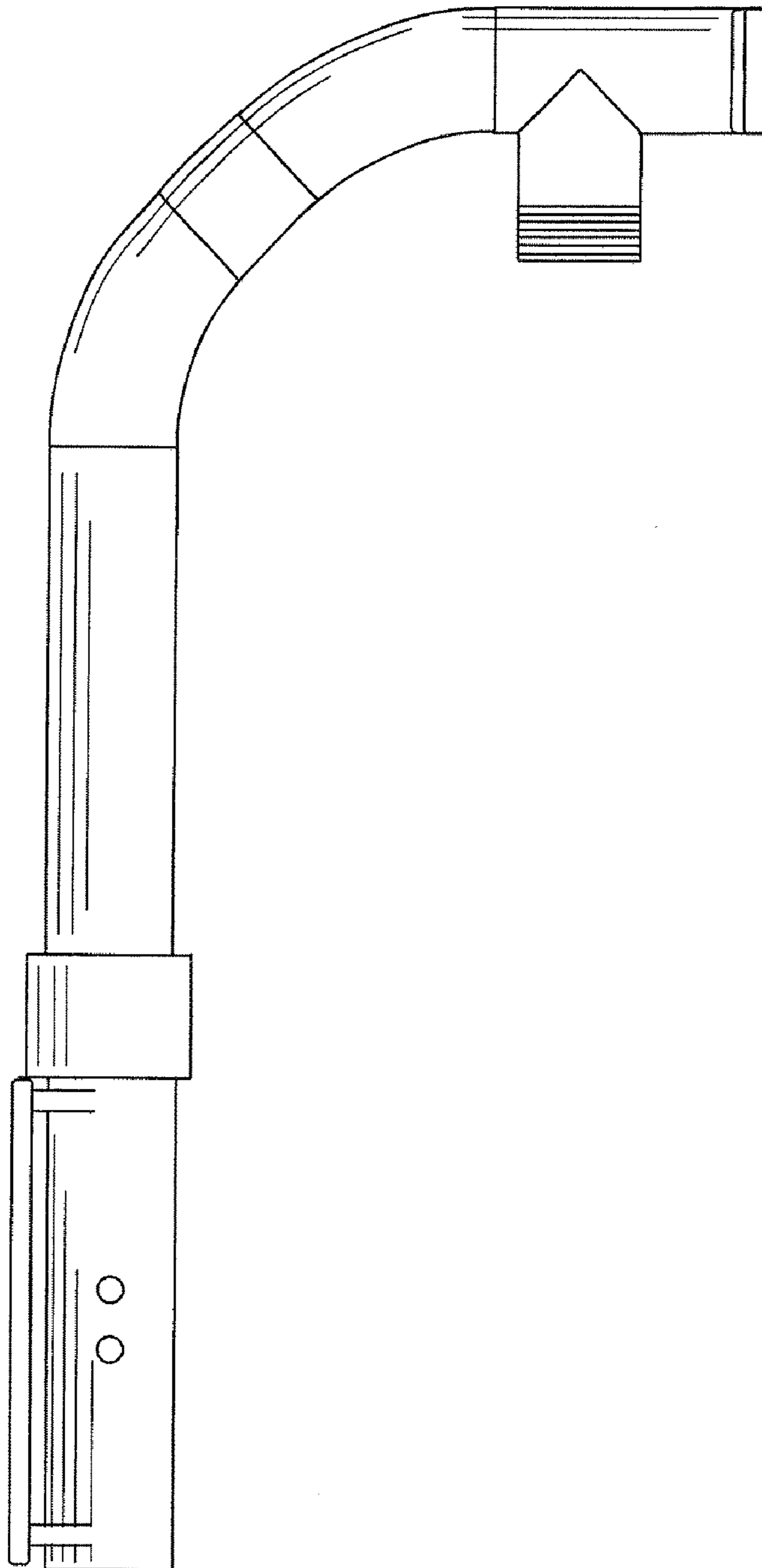


FIG. 5

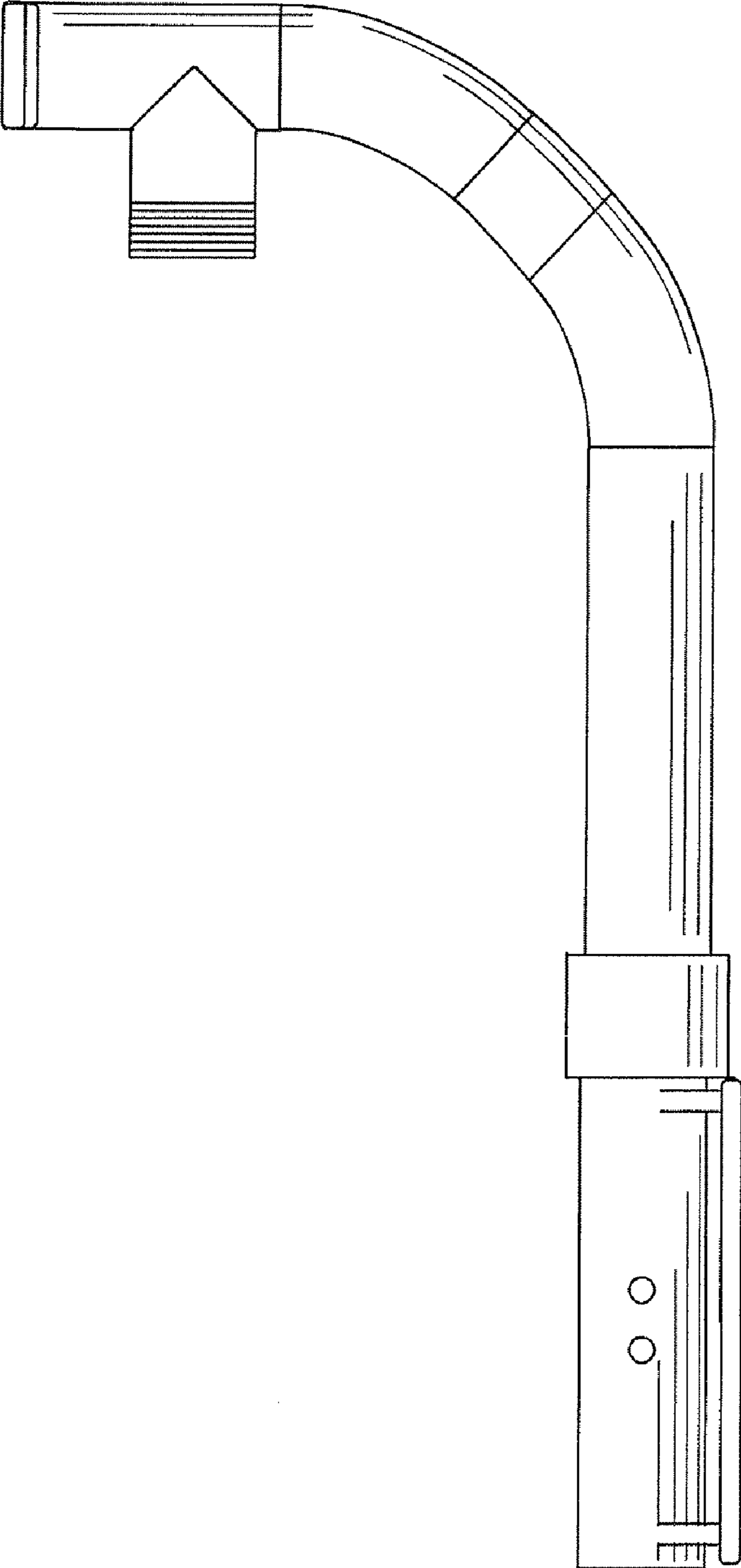


FIG. 6

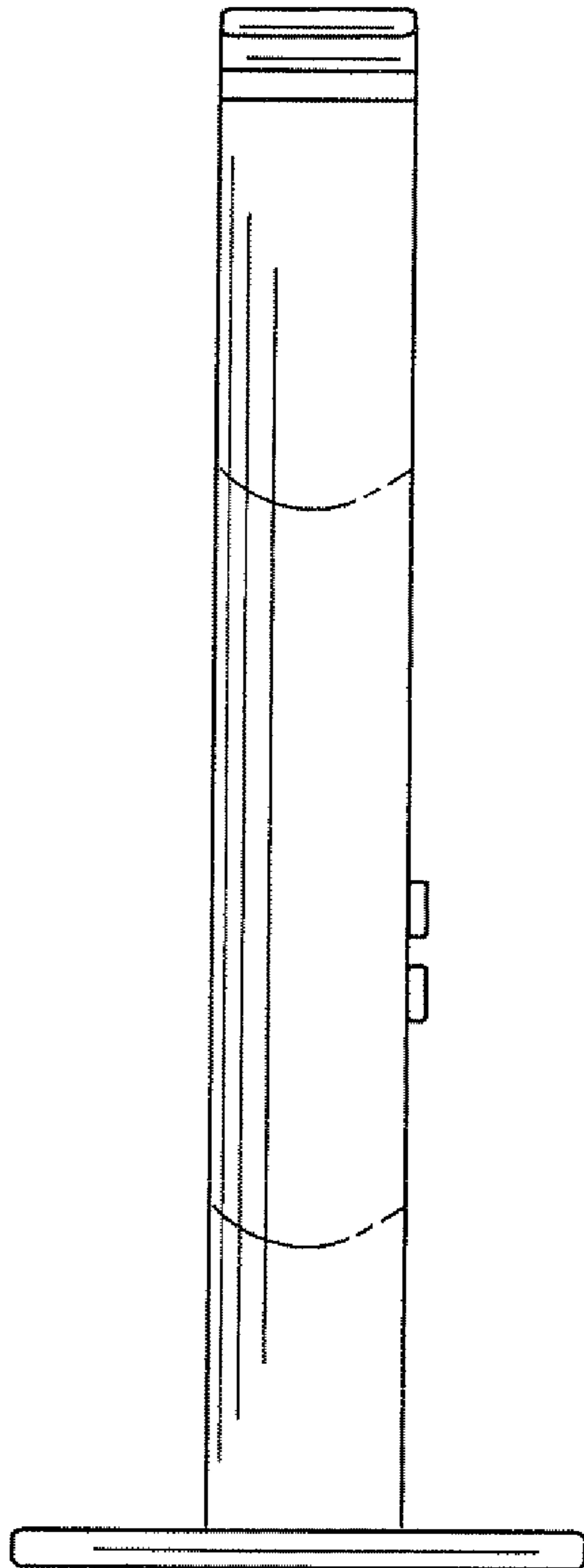


FIG. 7

