



US00D641772S

(12) **United States Design Patent**
Seo et al.

(10) **Patent No.:** **US D641,772 S**
(45) **Date of Patent:** **** Jul. 19, 2011**

(54) **PROJECTOR**

(75) Inventors: **Young Kook Seo**, Gyeonggi-do (KR);
Yoo Seok Kim, Seoul (KR)

(73) Assignee: **LG Electronics Inc.**, Seoul (KR)

(**) Term: **14 Years**

(21) Appl. No.: **29/363,748**

(22) Filed: **Jun. 14, 2010**

(30) **Foreign Application Priority Data**

Dec. 15, 2009 (KR) 30-2009-0055064

(51) **LOC (9) Cl.** **16-02**

(52) **U.S. Cl.** **D16/230; D16/225**

(58) **Field of Classification Search** D16/205,
D16/208, 221, 225, 230-231, 234; D21/514;
353/115, 119, 122

See application file for complete search history.

(56) **References Cited**

U.S. PATENT DOCUMENTS

D449,061 S *	10/2001	Lim	D16/231
D470,163 S *	2/2003	Kim	D16/230
D480,409 S *	10/2003	Wang et al.	D16/230
D518,844 S *	4/2006	Wang	D16/230
D531,654 S *	11/2006	Lin et al.	D16/230

D574,876 S *	8/2008	Yano	D16/230
D600,735 S *	9/2009	Chigira et al.	D16/225
D601,608 S *	10/2009	Kim et al.	D16/230

* cited by examiner

Primary Examiner — Ian Simmons

Assistant Examiner — Wan Laymon

(74) *Attorney, Agent, or Firm* — Morgan, Lewis & Bockius LLP

(57) **CLAIM**

The ornamental design for a projector, as shown and described.

DESCRIPTION

FIG. 1 is a perspective view of a projector showing our new design;

FIG. 2 is a front view thereof;

FIG. 3 is a rear view thereof wherein the broken lines showing portions of the projector are included for the purpose of illustrating environmental structure and form no part of the claimed design;

FIG. 4 is a left side view thereof;

FIG. 5 is a right side view thereof;

FIG. 6 is a top plan view thereof; and,

FIG. 7 is a bottom view thereof wherein the broken lines showing portions of the projector are included for the purpose of illustrating environmental structure and form no part of the claimed design.

1 Claim, 5 Drawing Sheets

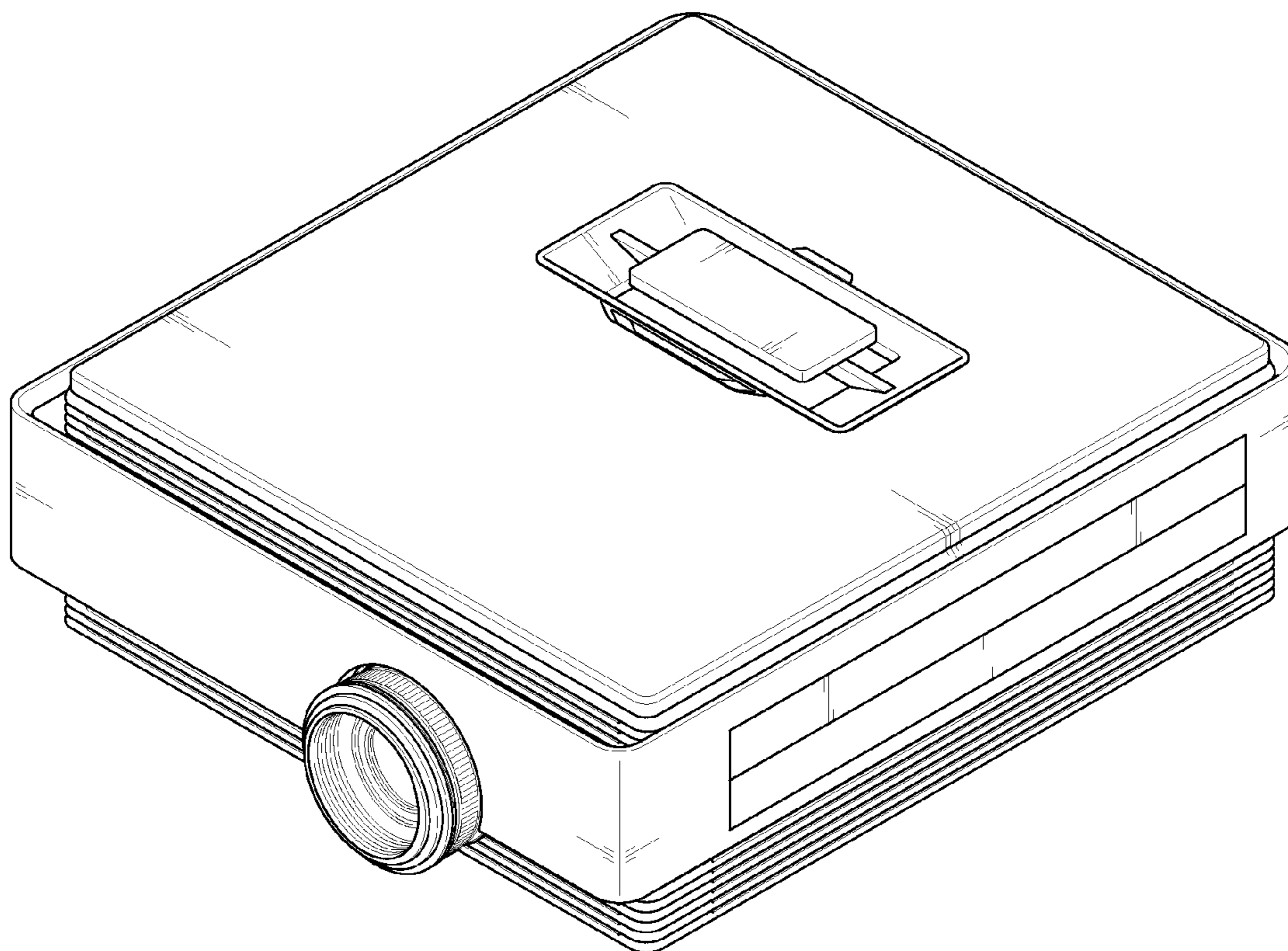


FIG. 1

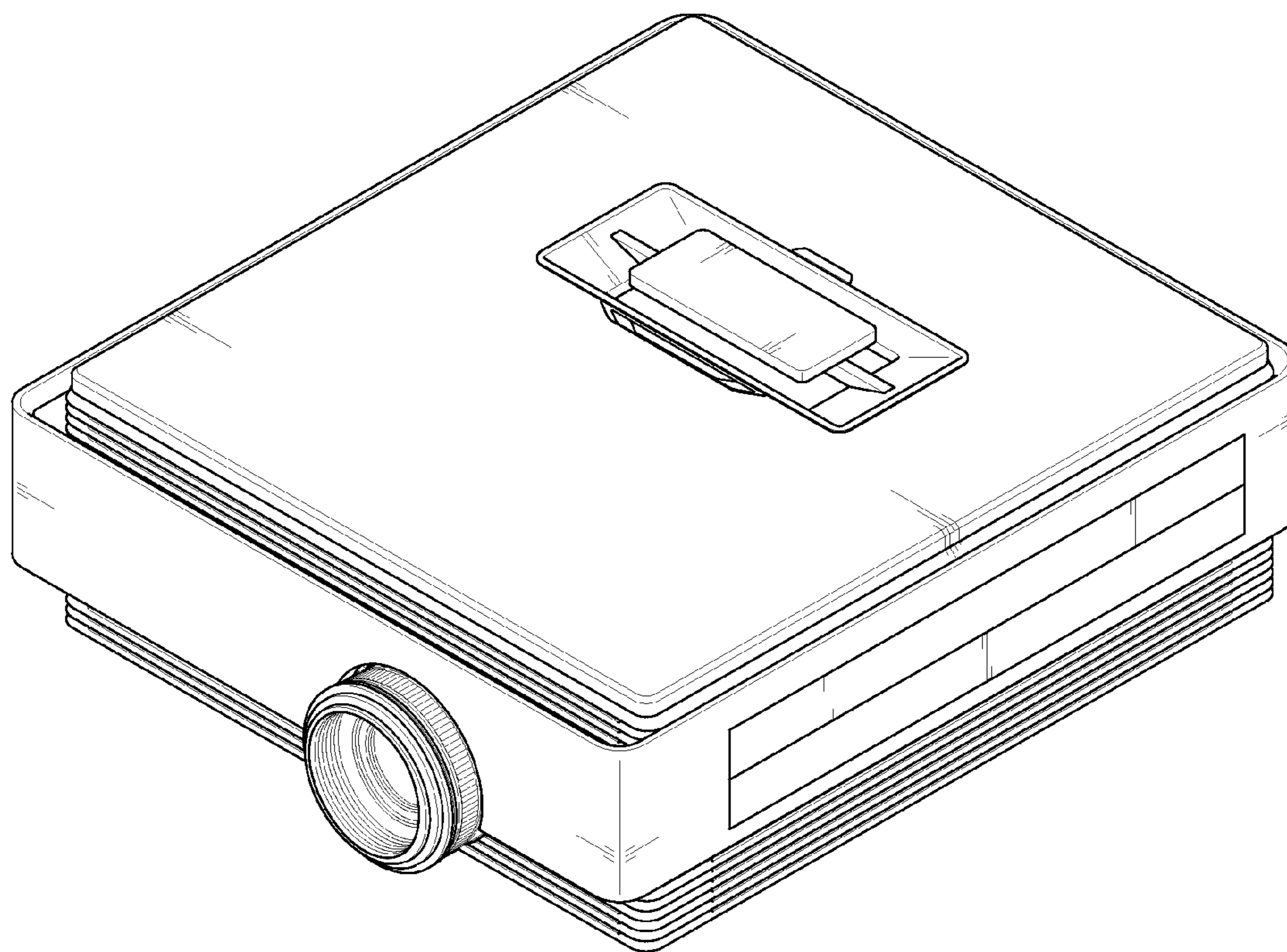


FIG. 2

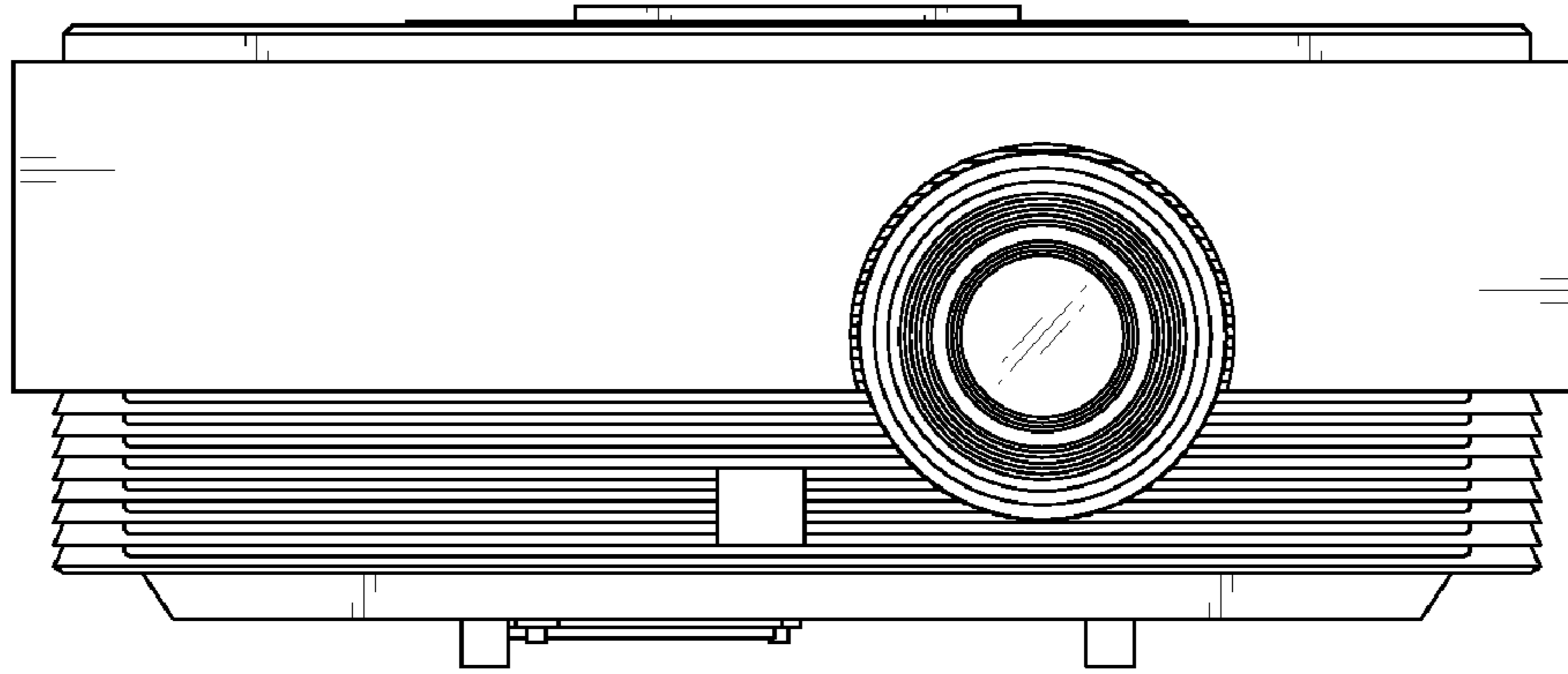


FIG. 3

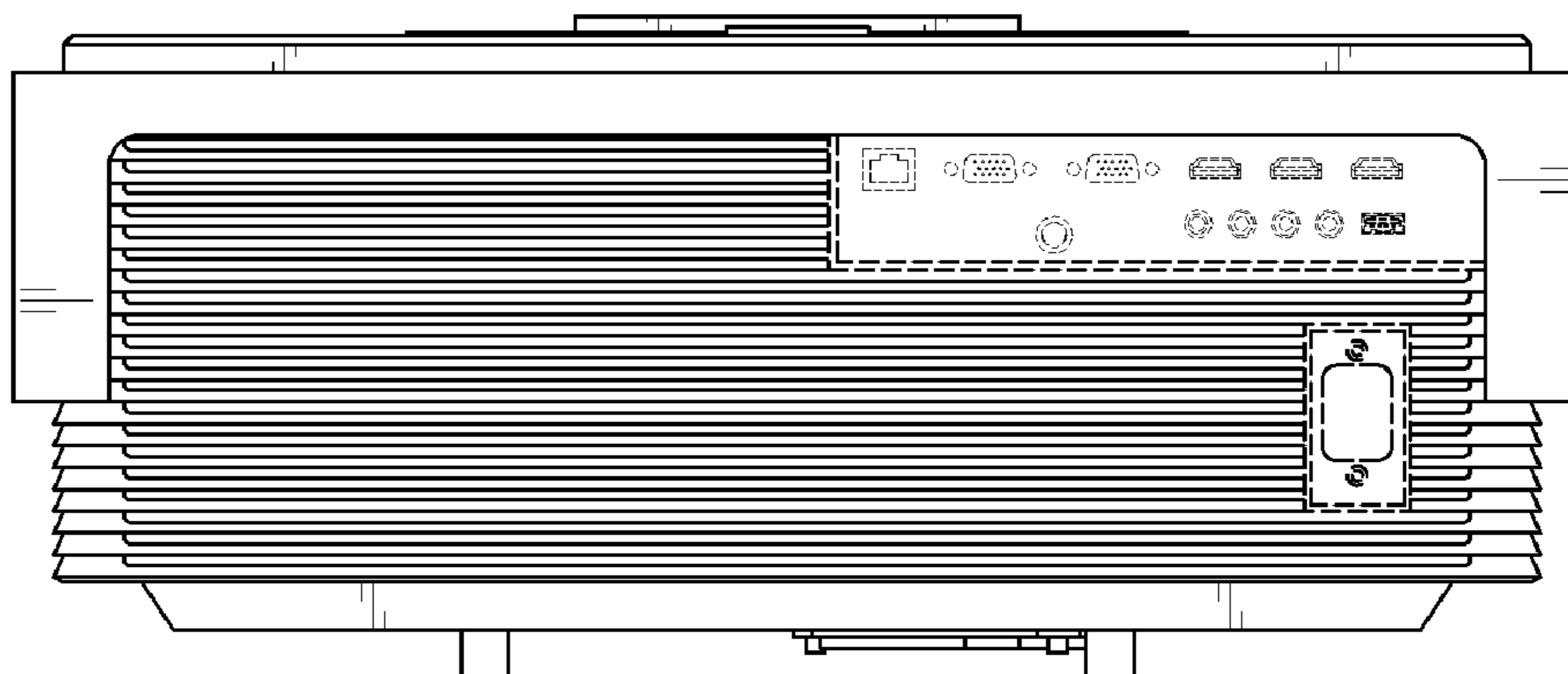


FIG. 4

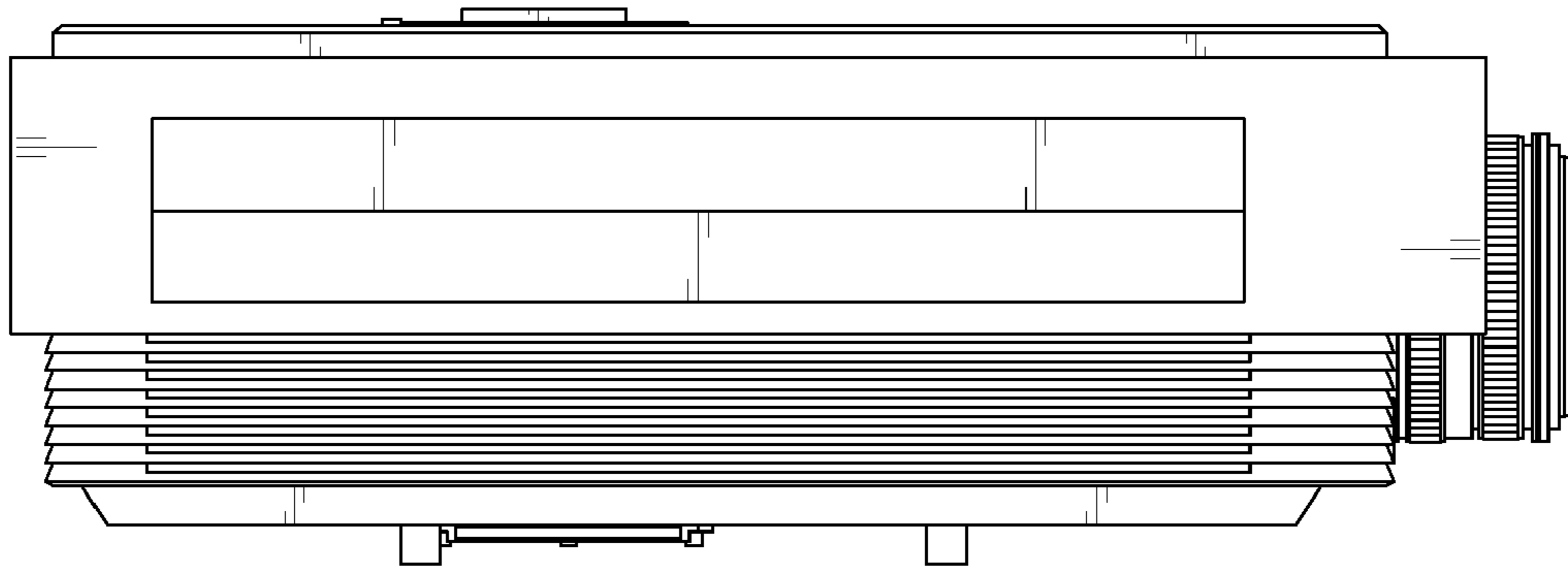


FIG. 5

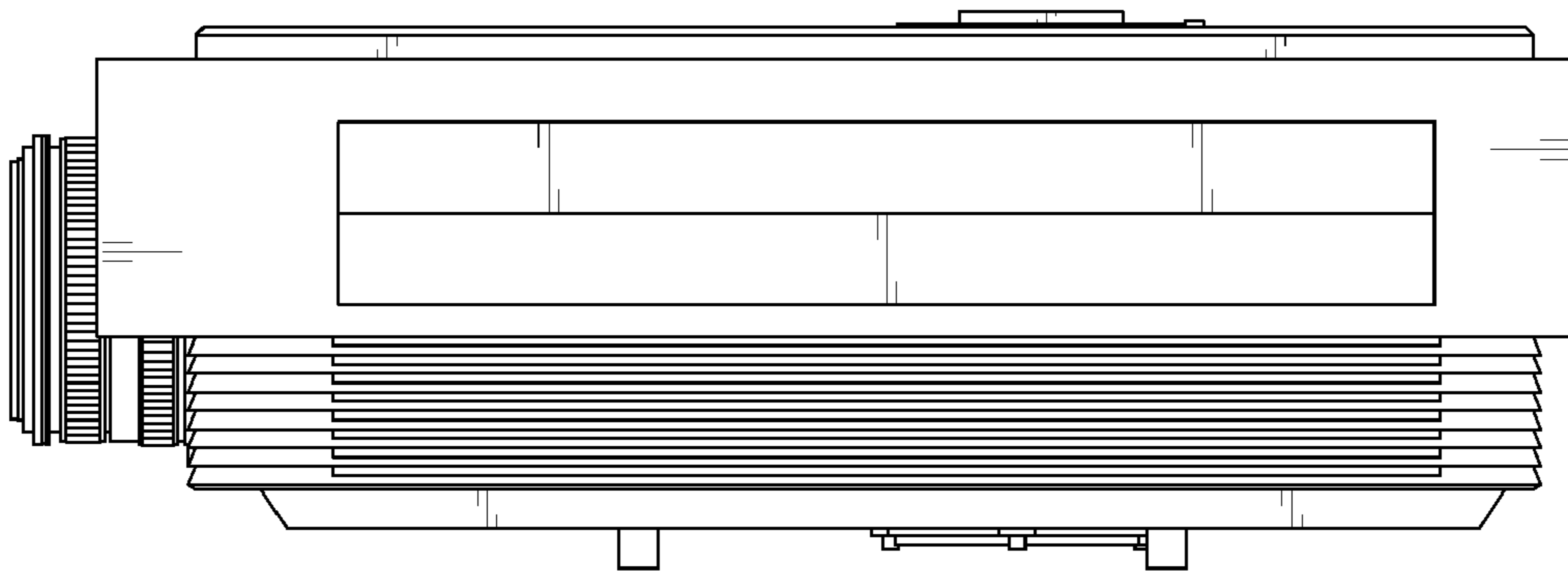


FIG. 6

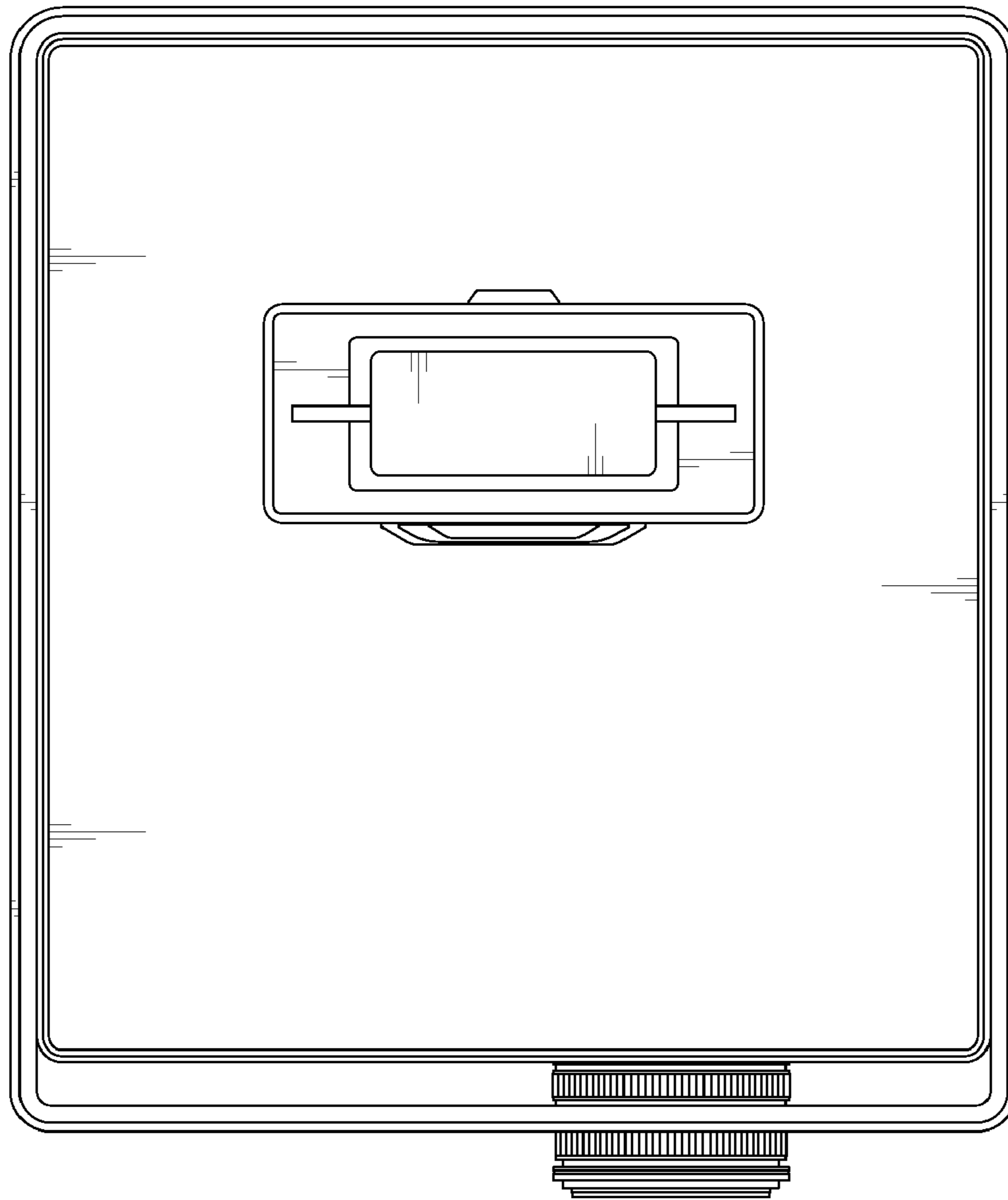


FIG. 7

