



US00D641770S

(12) **United States Design Patent**
Hoehn et al.

(10) **Patent No.:** **US D641,770 S**

(45) **Date of Patent:** **** Jul. 19, 2011**

(54) **WEBCAM**

(75) Inventors: **Holger Hoehn**, New Territories (HK);
Feng Huan (David) Gu, Kowloon (HK)

(73) Assignee: **Koninklijke Philips Electronics N.V.**,
Eindhoven (NL)

(**) Term: **14 Years**

(21) Appl. No.: **29/369,197**

(22) Filed: **Sep. 3, 2010**

(30) **Foreign Application Priority Data**

Mar. 4, 2010 (EM) 001677899-0001

(51) **LOC (9) Cl.** **16-01**

(52) **U.S. Cl.** **D16/202; D16/242**

(58) **Field of Classification Search** D16/200–203,
D16/206, 218, 219; 348/373, 375; 396/419,
396/427, 428, 535

See application file for complete search history.

(56) **References Cited**

U.S. PATENT DOCUMENTS

D550,266	S	*	9/2007	Lau	D16/202
D579,967	S	*	11/2008	Jones et al.	D16/242
D626,580	S	*	11/2010	Tzeng	D16/202
D627,813	S	*	11/2010	Chen et al.	D16/202
D629,031	S	*	12/2010	Su et al.	D16/202
D631,079	S	*	1/2011	Tzeng	D16/202
D632,718	S	*	2/2011	Tzeng	D16/242
D632,719	S	*	2/2011	Tsai	D16/202

* cited by examiner

Primary Examiner — Adir Aronovich

(57) **CLAIM**

The ornamental design for a webcam, as shown.

DESCRIPTION

FIG. 1 is a perspective view of a webcam showing my new design;

FIG. 2 is a front elevational view thereof;

FIG. 3 is a rear elevational view thereof;

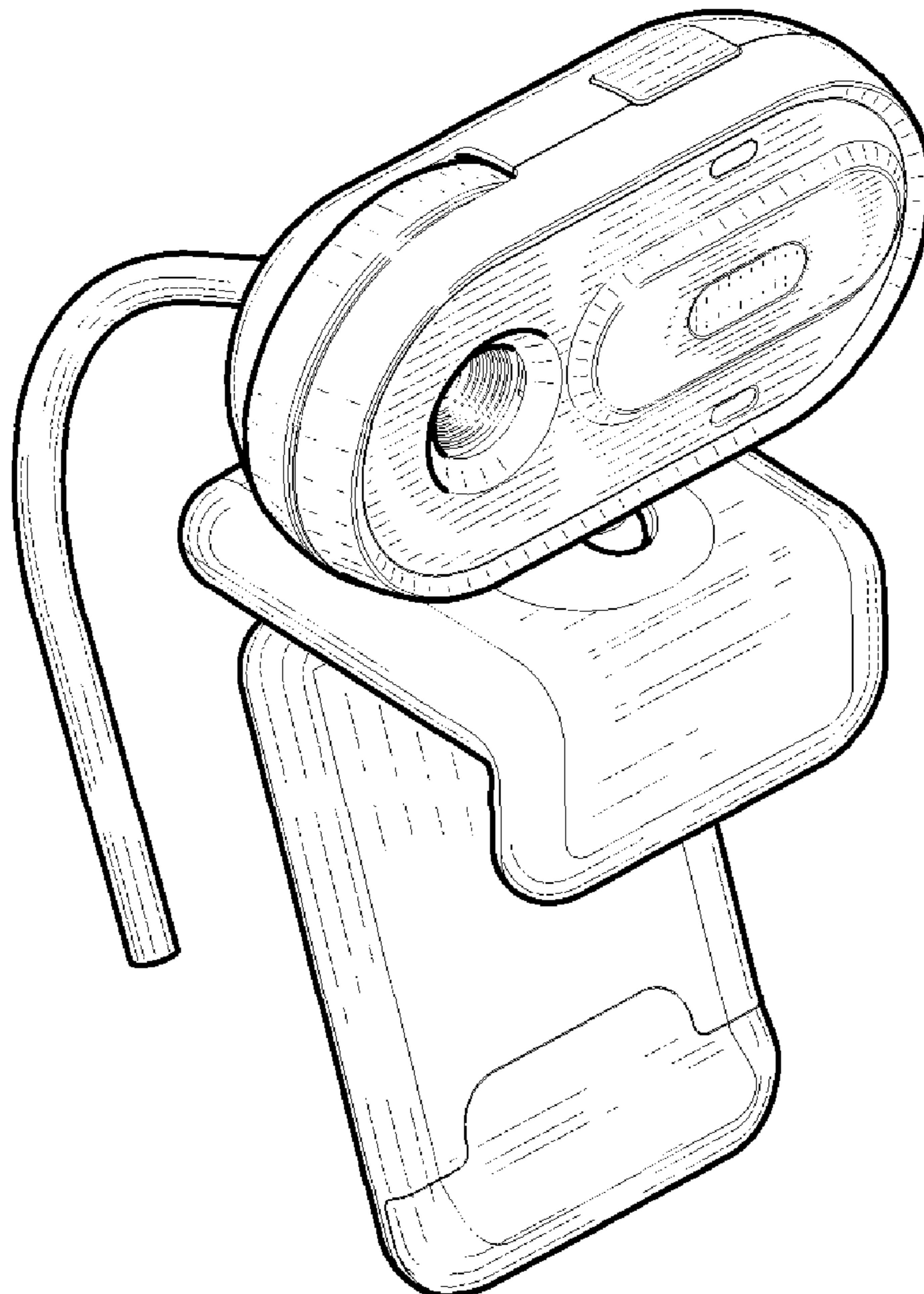
FIG. 4 is a right side elevational view thereof;

FIG. 5 is a left side elevational view thereof;

FIG. 6 is a top plan view thereof; and,

FIG. 7 is a bottom plan view thereof.

1 Claim, 3 Drawing Sheets



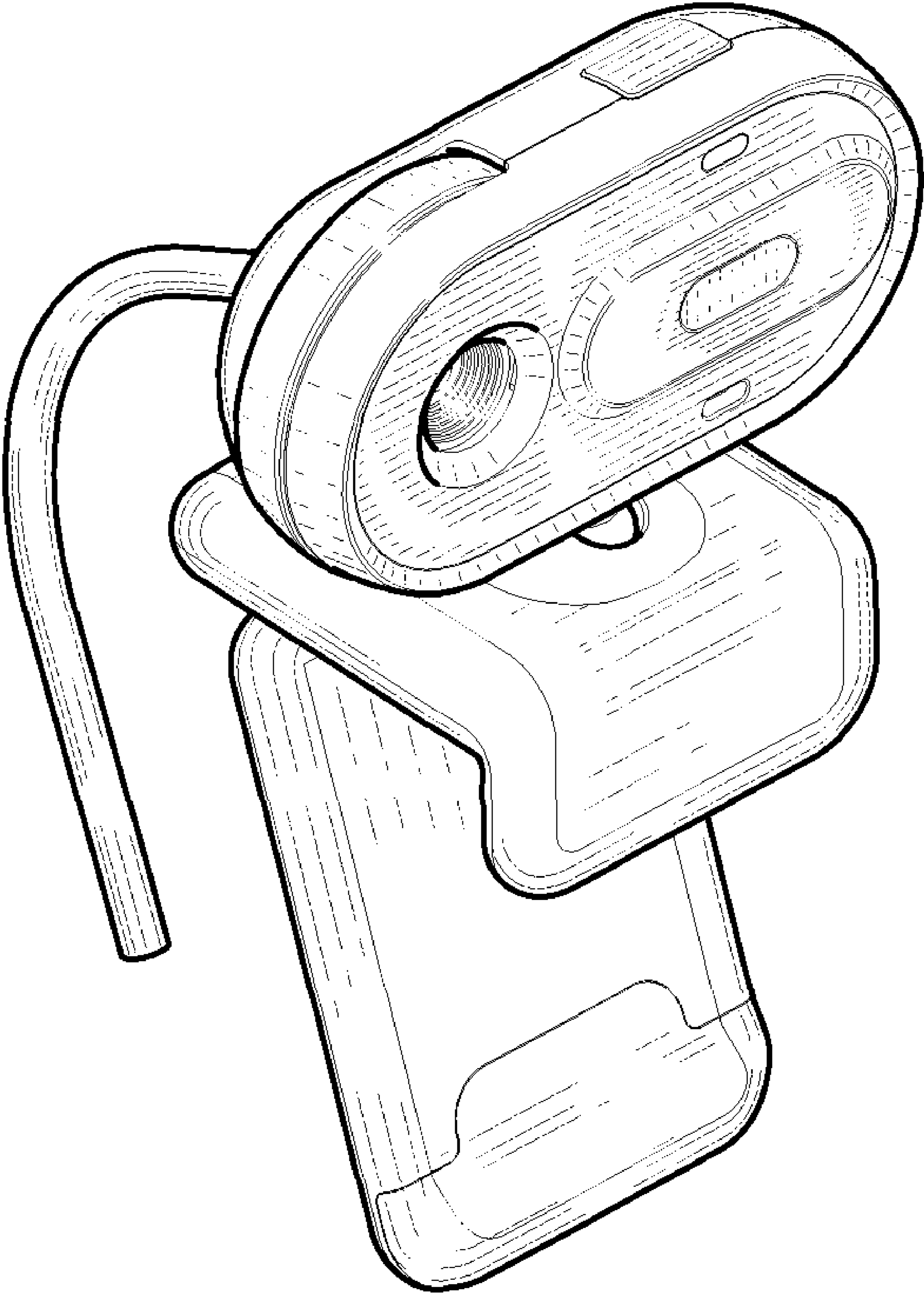


FIG. 1

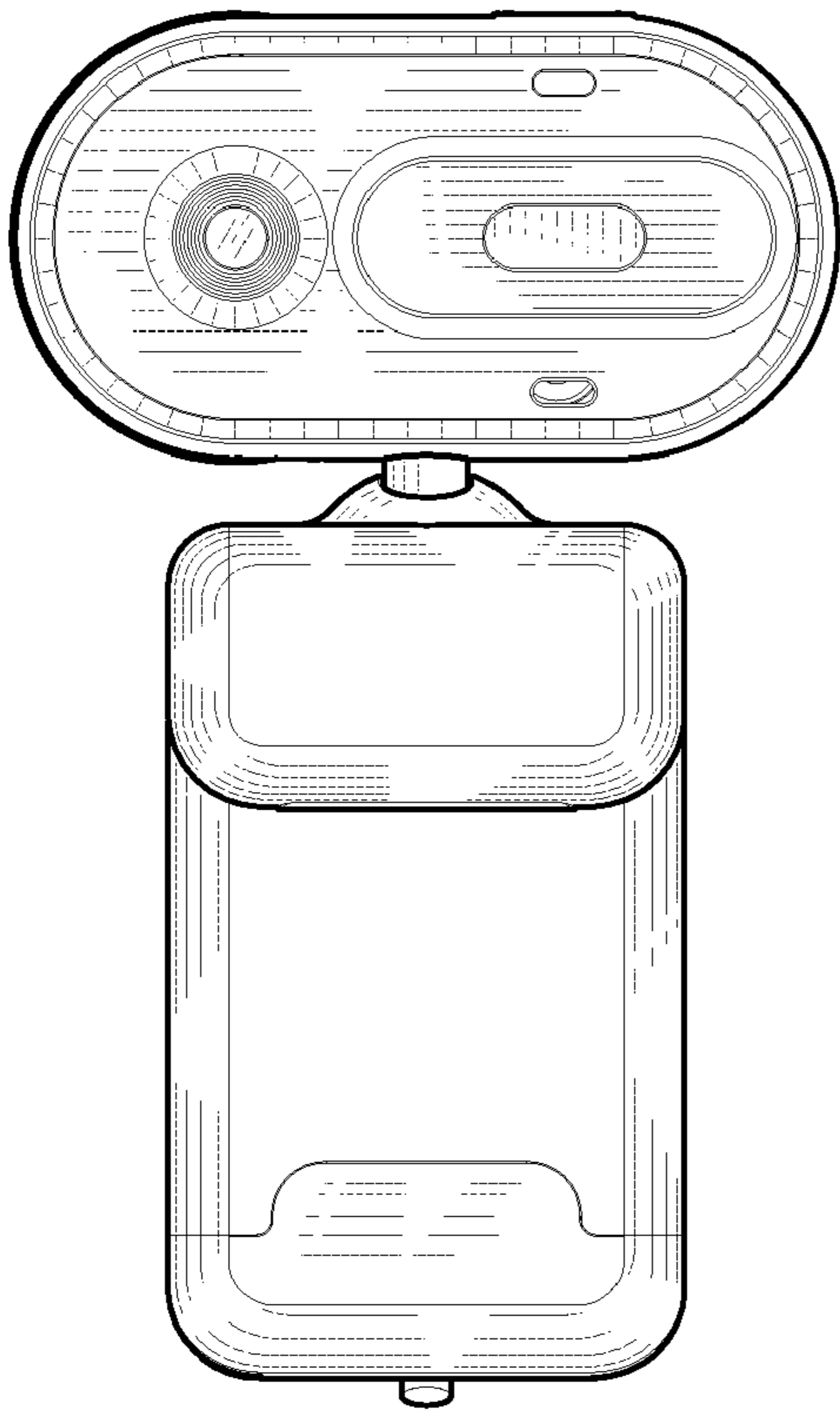


FIG. 2

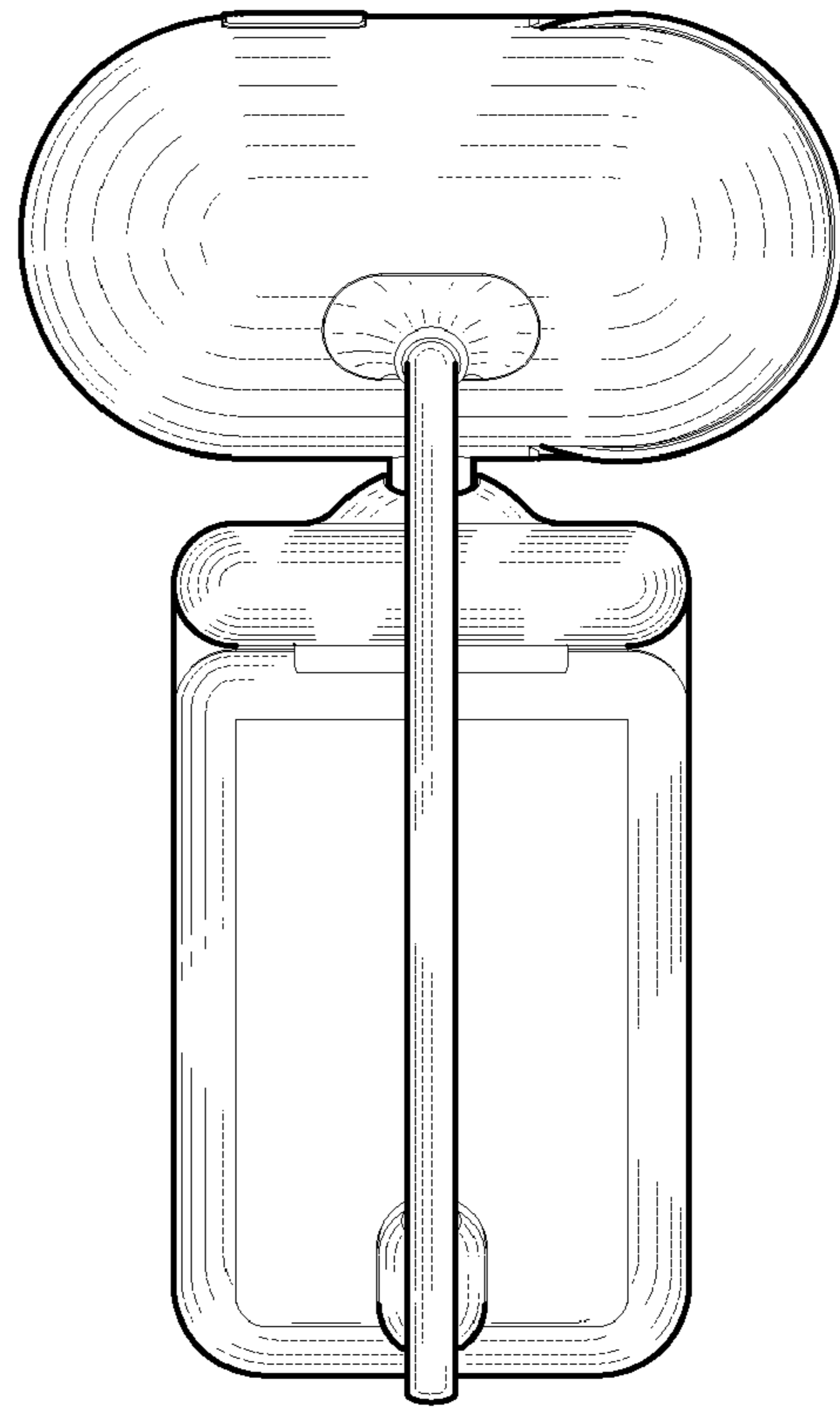


FIG. 3

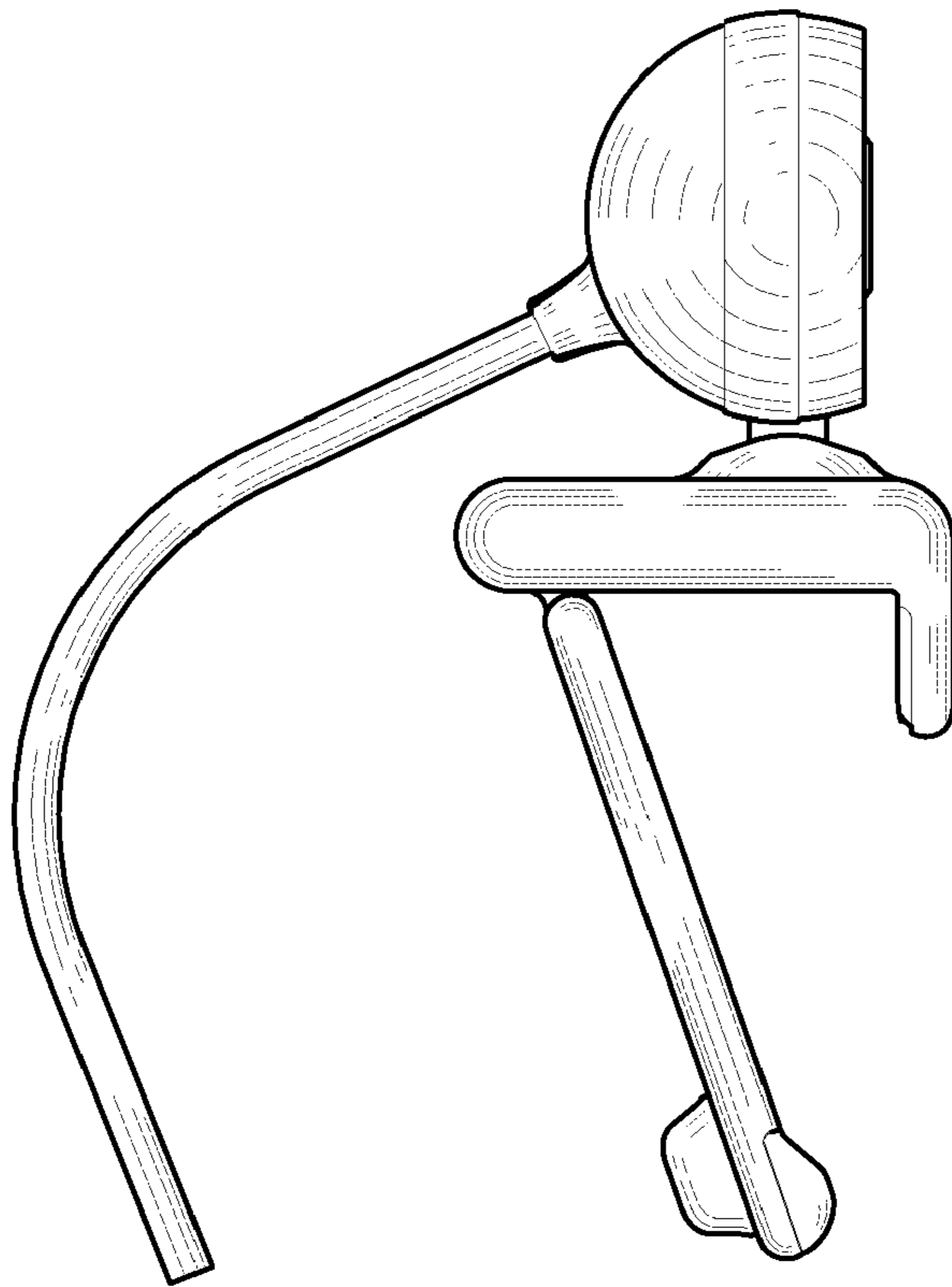


FIG. 4

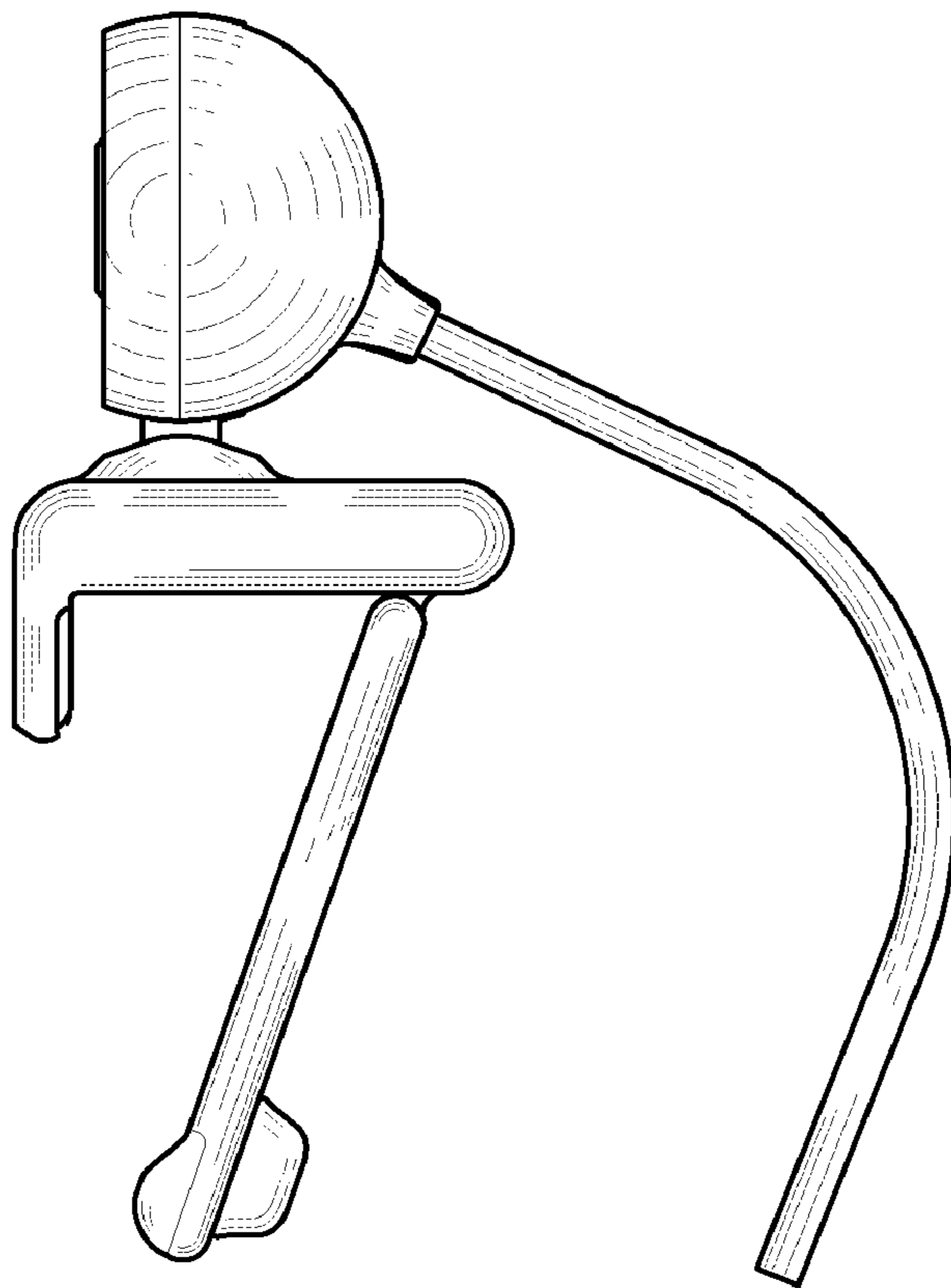


FIG. 5

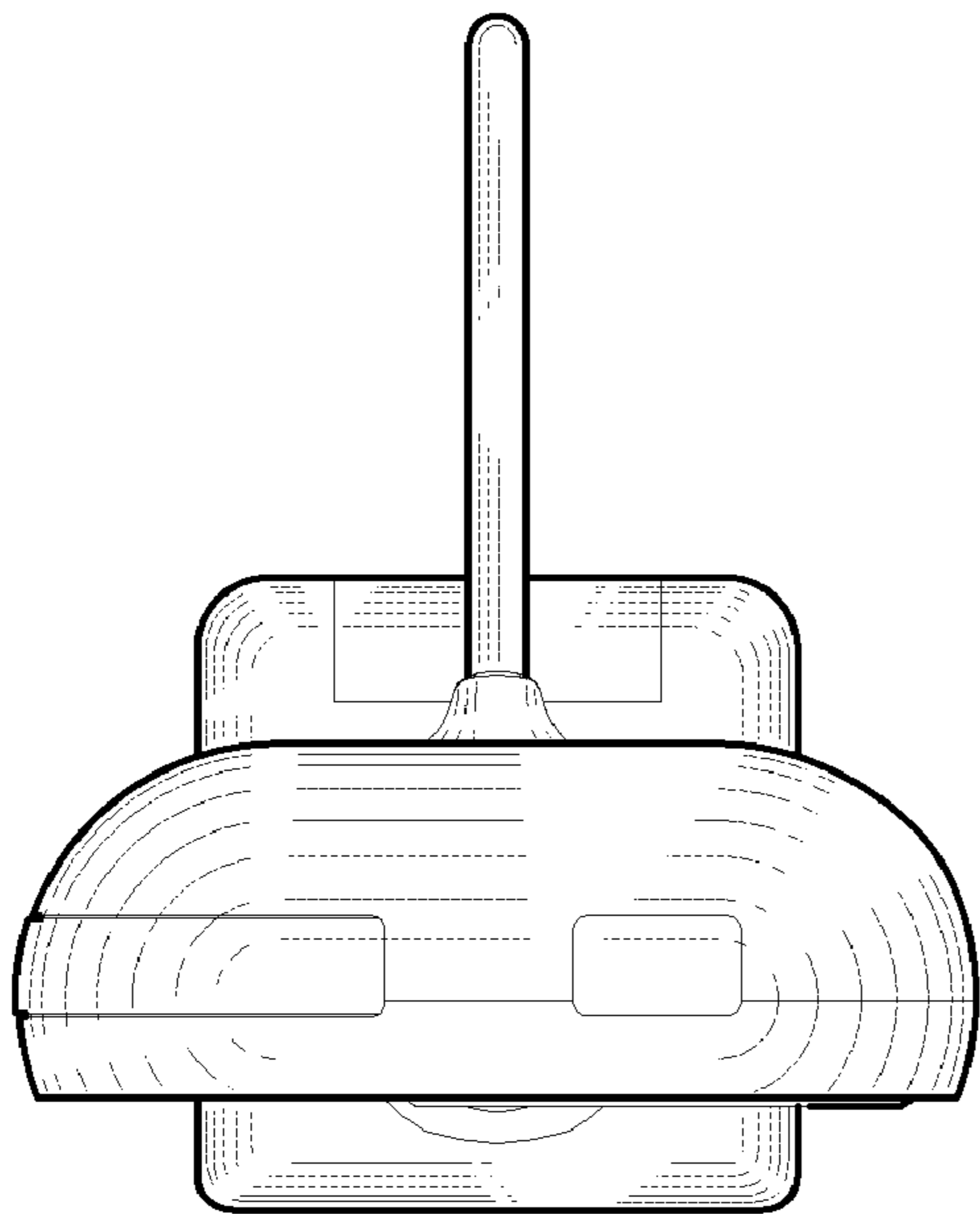


FIG. 6

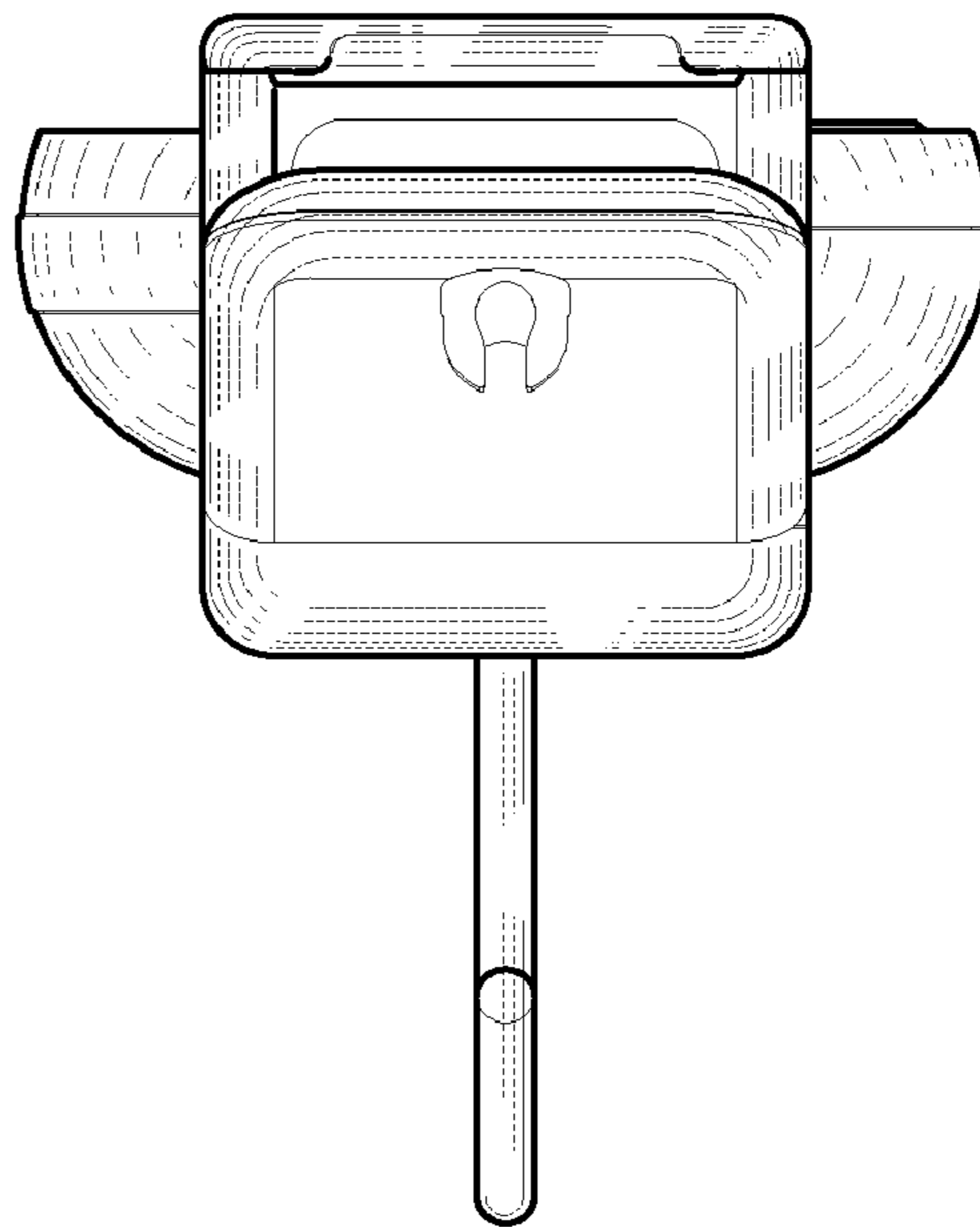


FIG. 7