



US00D641768S

(12) **United States Design Patent**
Bender et al.

(10) **Patent No.:** **US D641,768 S**
(45) **Date of Patent:** **** Jul. 19, 2011**

(54) **WELDER FRAME**

(75) Inventors: **David Joseph Bender**, Chardon, OH (US); **Darren Stockton**, Chardon, OH (US); **Rich Lesiacsek**, Willoughby Hills, OH (US)

(73) Assignee: **Lincoln Global, Inc.**, City of Industry, CA (US)

(**) Term: **14 Years**

(21) Appl. No.: **29/360,154**

(22) Filed: **Apr. 21, 2010**

Related U.S. Application Data

(62) Division of application No. 29/345,560, filed on Oct. 19, 2009, now Pat. No. Des. 616,906, which is a division of application No. 29/325,637, filed on Oct. 3, 2008, now Pat. No. Des. 606,102.

(51) **LOC (9) Cl.** **15-09**

(52) **U.S. Cl.** **D15/144**

(58) **Field of Classification Search** D6/344, D6/348, 353, 370, 372, 462; D13/110; D15/144, D15/144.1, 144.2; 114/112; 219/56, 57, 219/125.1, 136, 158; 901/42; D23/410; D34/5, 6

See application file for complete search history.

(56) **References Cited**

U.S. PATENT DOCUMENTS

| | | | |
|---------------|---------|-----------------|---------|
| D59,357 S | 10/1921 | Kalenborn | |
| D105,931 S * | 9/1937 | Adams | D6/370 |
| D108,710 S | 3/1938 | Akins | |
| D118,040 S * | 12/1939 | Gilkison | D6/372 |
| D152,049 S | 12/1948 | Welch, Jr. | |
| D278,425 S * | 4/1985 | Toshihiko | D13/116 |
| D293,904 S * | 1/1988 | Murakami et al. | D13/116 |
| 5,213,291 A * | 5/1993 | Wiebe | 248/97 |
| D355,780 S * | 2/1995 | Noll | D6/372 |

| | | | |
|---------------|---------|---------------|---------|
| 5,685,440 A * | 11/1997 | Mason | 211/189 |
| 5,965,949 A * | 10/1999 | Fukuda et al. | 290/1 A |
| D418,809 S * | 1/2000 | Frank | D13/112 |
| D421,170 S * | 2/2000 | Siu | D34/6 |
| D433,040 S | 10/2000 | Kriek | |

(Continued)

FOREIGN PATENT DOCUMENTS

| | | |
|----|-------------|--------|
| JP | 2003-129911 | 5/2003 |
|----|-------------|--------|

OTHER PUBLICATIONS

Power-Arc 5500, Operator's Manual, Copyright 2007, Lincoln Global Inc., 50 pgs.

(Continued)

Primary Examiner — Patricia Palasik

(74) *Attorney, Agent, or Firm* — Calfee, Halter & Griswold LLP

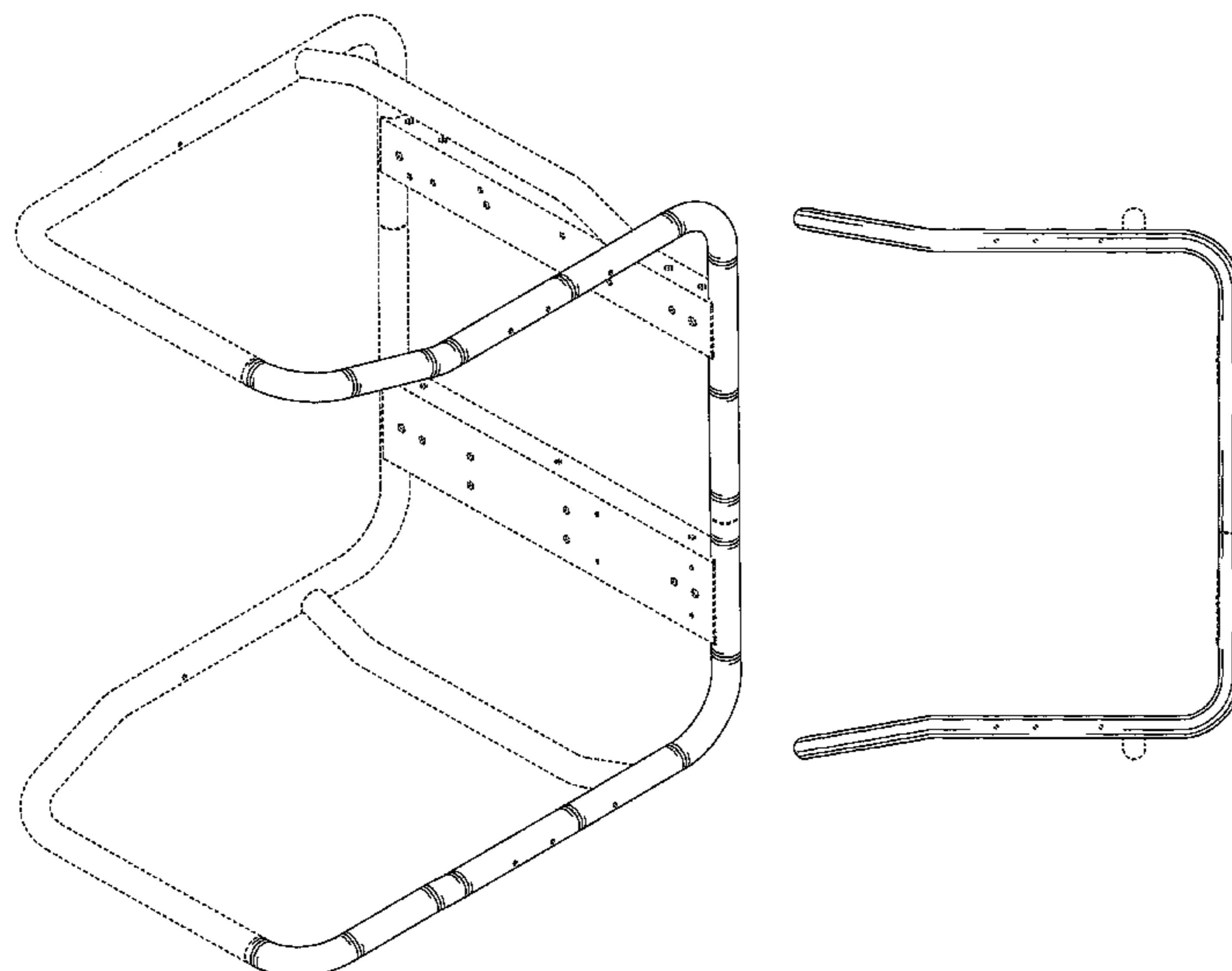
(57) **CLAIM**

I claim the ornamental design for a welder frame, as shown and described.

DESCRIPTION

FIG. 1 is a top perspective view of an engine welder frame of the new design;
FIG. 2 is a rear view of the engine welder frame of FIG. 1;
FIG. 3 is a top elevation view of the engine welder frame of FIG. 1;
FIG. 4 is a bottom view of the engine welder frame of FIG. 1;
FIG. 5 is a front view of the engine welder frame of FIG. 1;
FIG. 6 is a right side view of the engine welder frame of FIG. 1; and,
FIG. 7 is a left side view of the engine welder frame of FIG. 1.
The portions of the Figures shown in phantom lines form no part of the claimed design and are for illustrative purposes only.

1 Claim, 4 Drawing Sheets



US D641,768 S

Page 2

U.S. PATENT DOCUMENTS

D434,428 S 11/2000 Krieck
D472,519 S * 4/2003 Buck D13/114
D475,726 S 6/2003 Suga et al.
6,596,972 B1 7/2003 DiNovo et al.
D501,182 S * 1/2005 Buck D13/110
D518,078 S 3/2006 Persson
D546,522 S * 7/2007 Naujoks D34/6
D580,860 S * 11/2008 Xi-Ren D13/122
D587,491 S * 3/2009 Casper D6/462
D588,377 S * 3/2009 Riley D6/462
D588,987 S * 3/2009 Kato D13/116
D608,111 S * 1/2010 Rubin D6/462
D616,906 S 6/2010 Bender et al.
D617,269 S * 6/2010 van Deursen D13/116
2004/0168654 A1 * 9/2004 Radtke 123/2
2004/0182845 A1 9/2004 Crisler et al.
2006/0081577 A1 4/2006 Andersen et al.
2007/0263760 A1 11/2007 Taillandier
2008/0238107 A1 10/2008 Yamamoto

OTHER PUBLICATIONS

Power-Arc 4000, Operator's Manual, Copyright 2003, Lincoln Global Inc., 50 pgs.
Renegade 180 brochure, Miller Electric Mfg. Co., issued Jan. 2008, 8 pgs.
Two page printout from http://www.zena.net/htdocs/welders/wldpic_me.shtml, printed Oct. 1, 2008, Do It Yourself Engine Driven Welder, Zena, Incorporated.
Notice of Allowance from U.S. Appl. No. 29/325,637 dated Sep. 30, 2009.
International Search Report and Written Opinion from PCT/IB09/007038 dated Jan. 22, 2010.
Notice of Allowance from U.S. Appl. No. 29/345,560 dated Jan. 28, 2010.

* cited by examiner

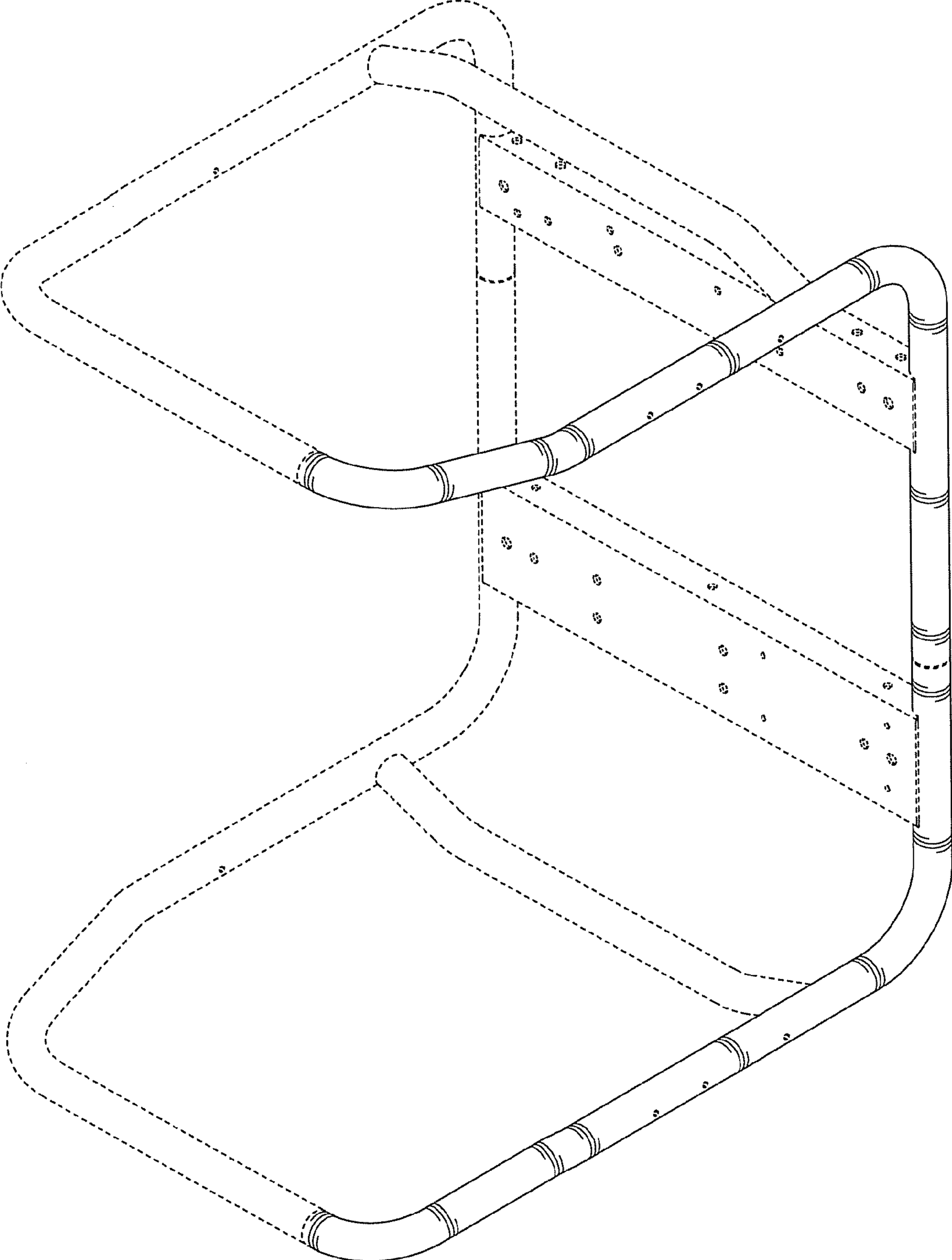


FIG. 1

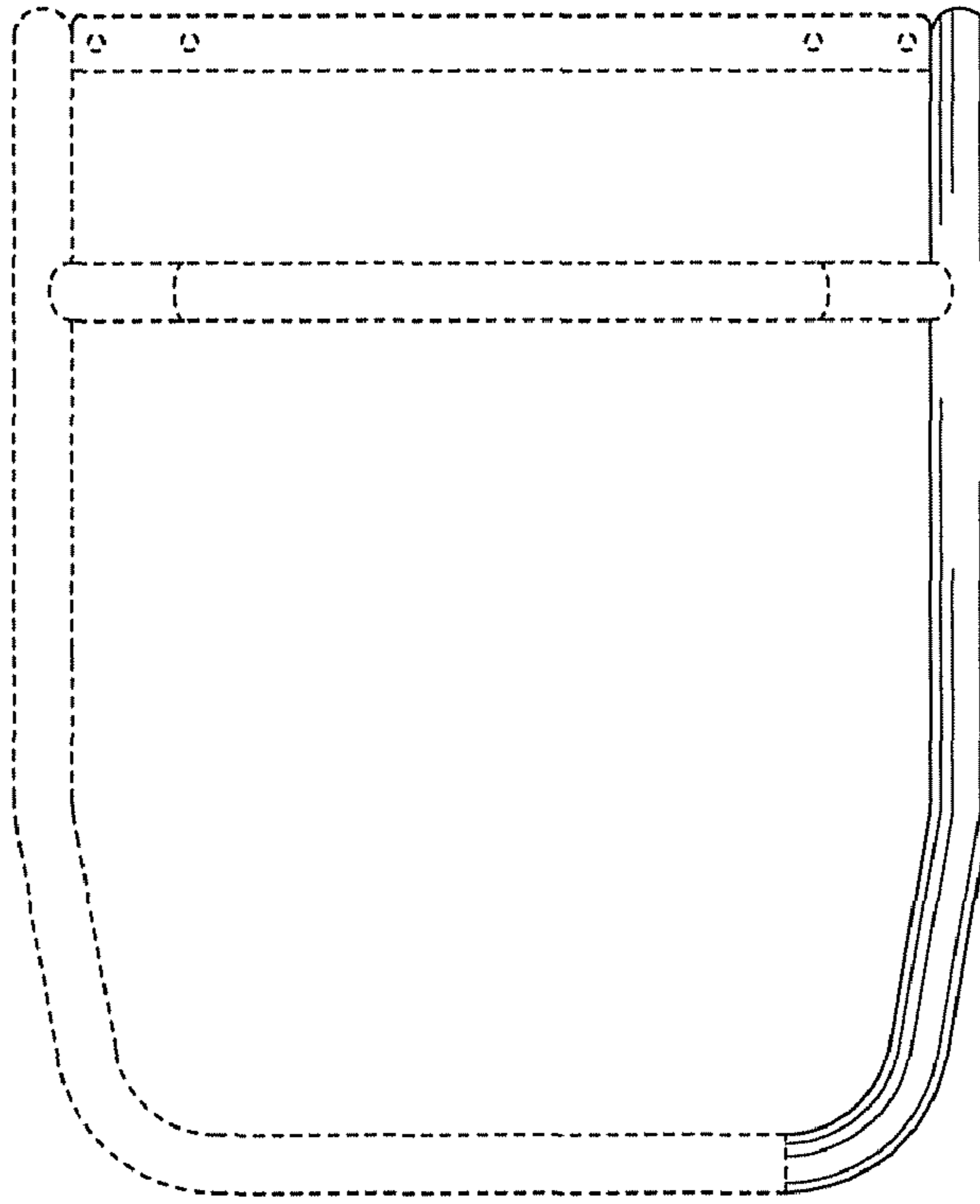


FIG. 2

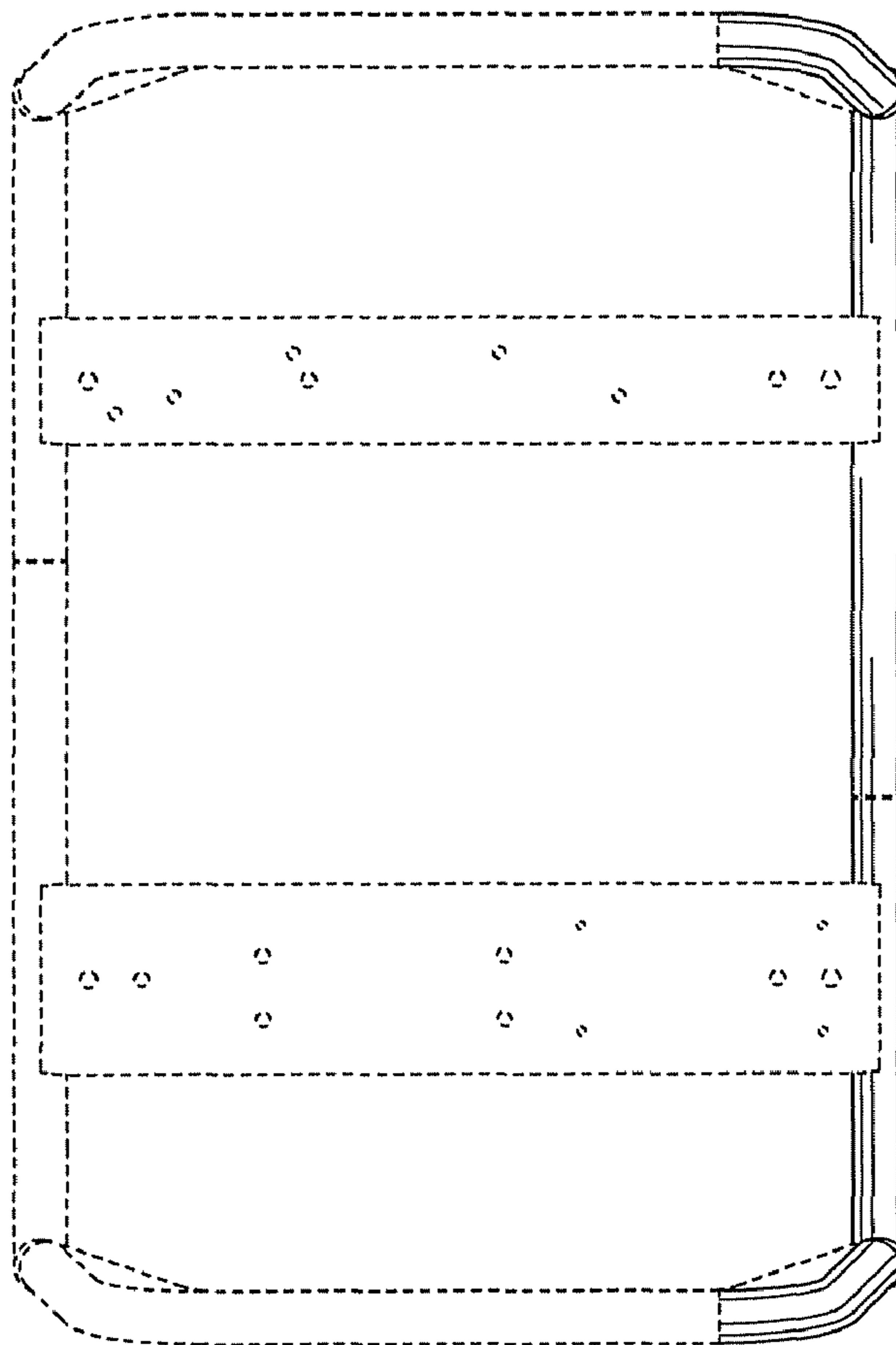


FIG. 3

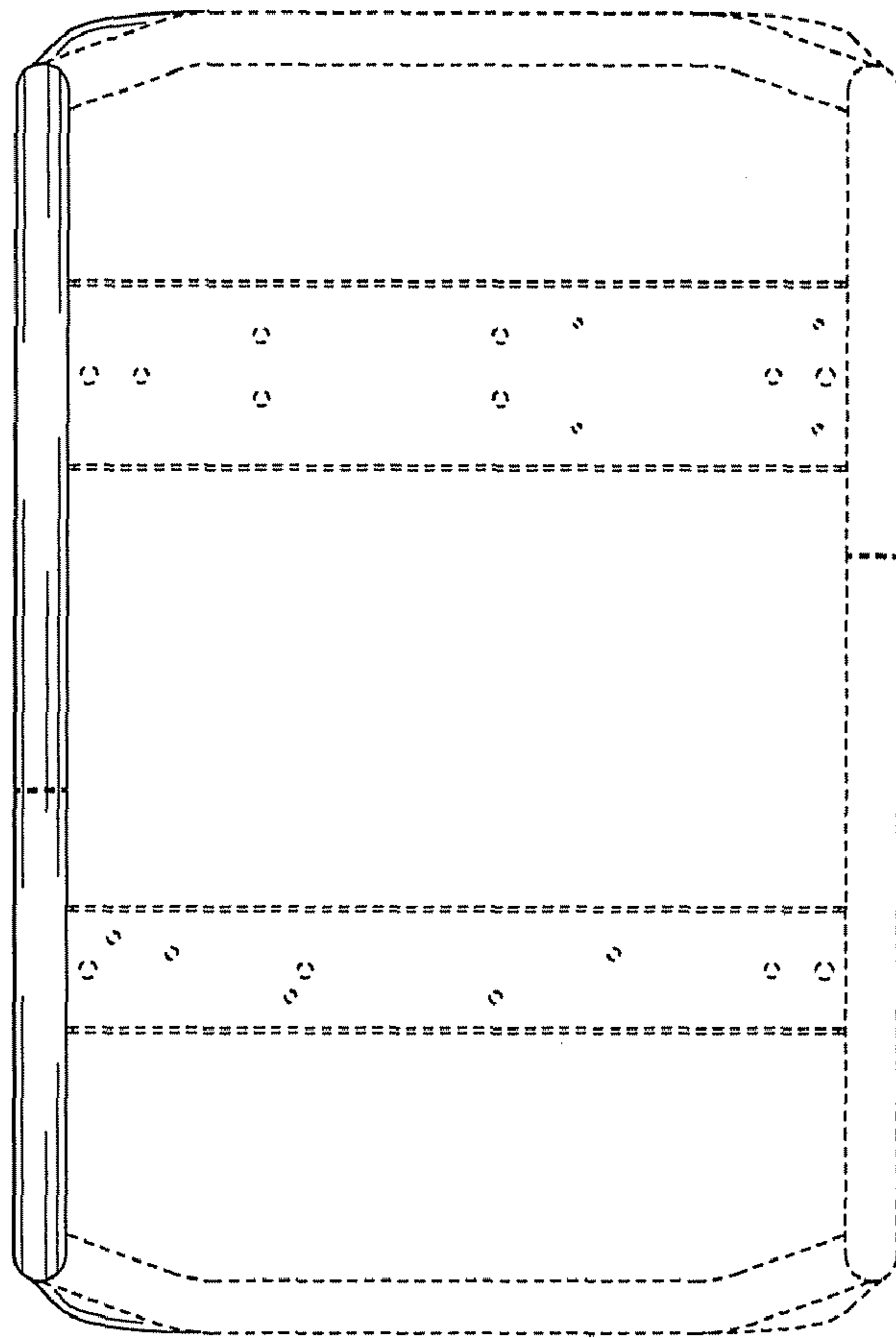


FIG. 4

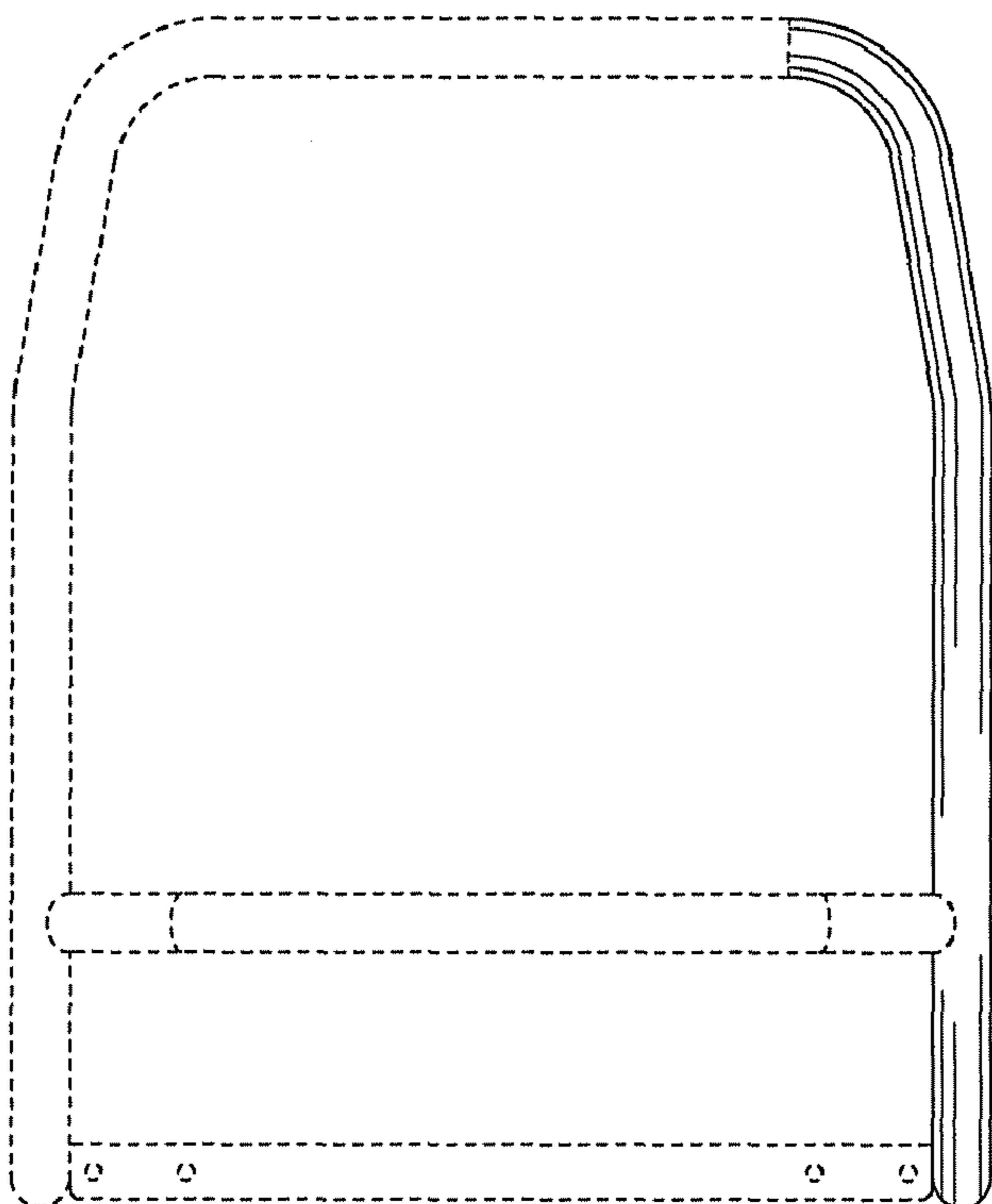


FIG. 5

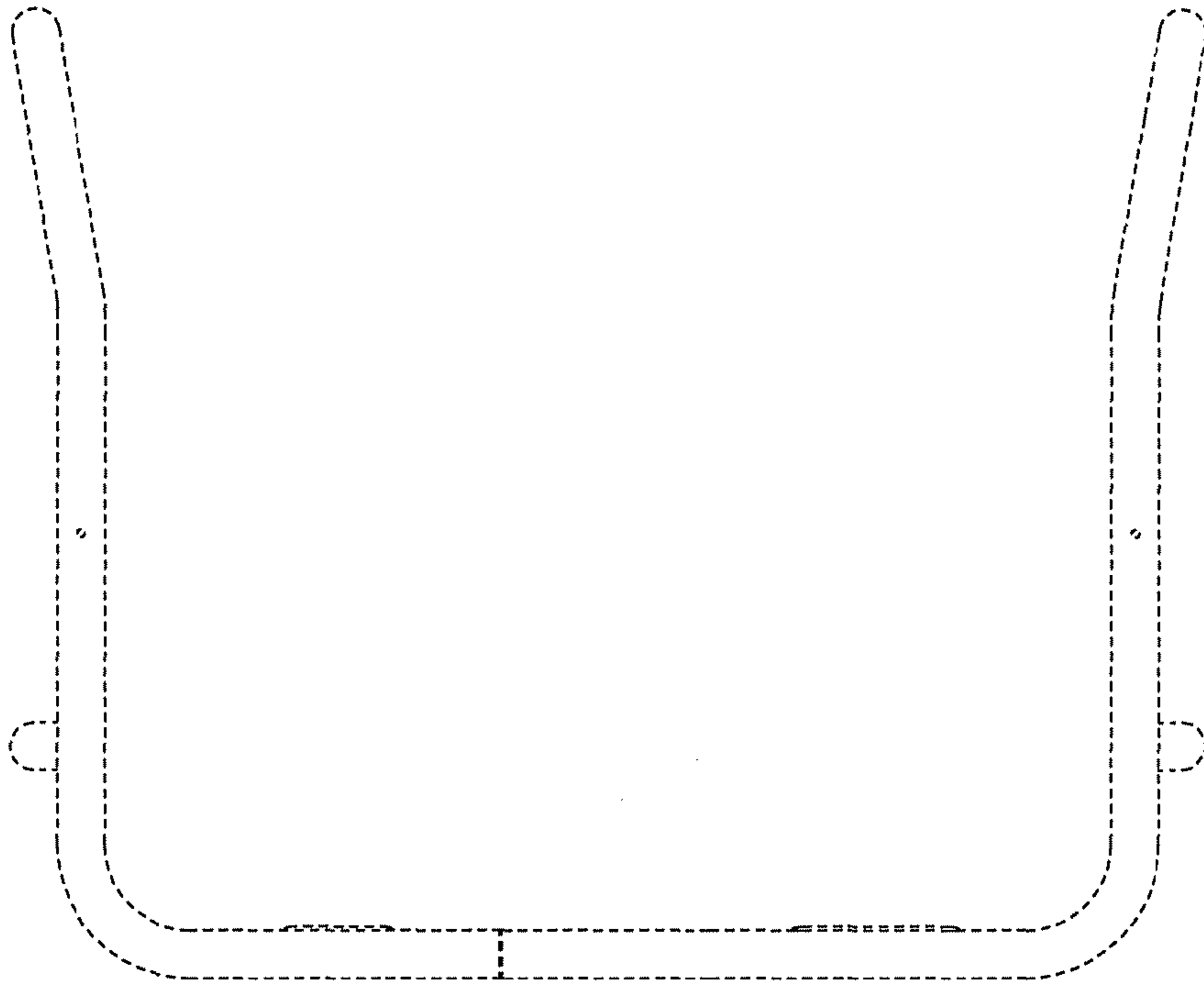


FIG. 7

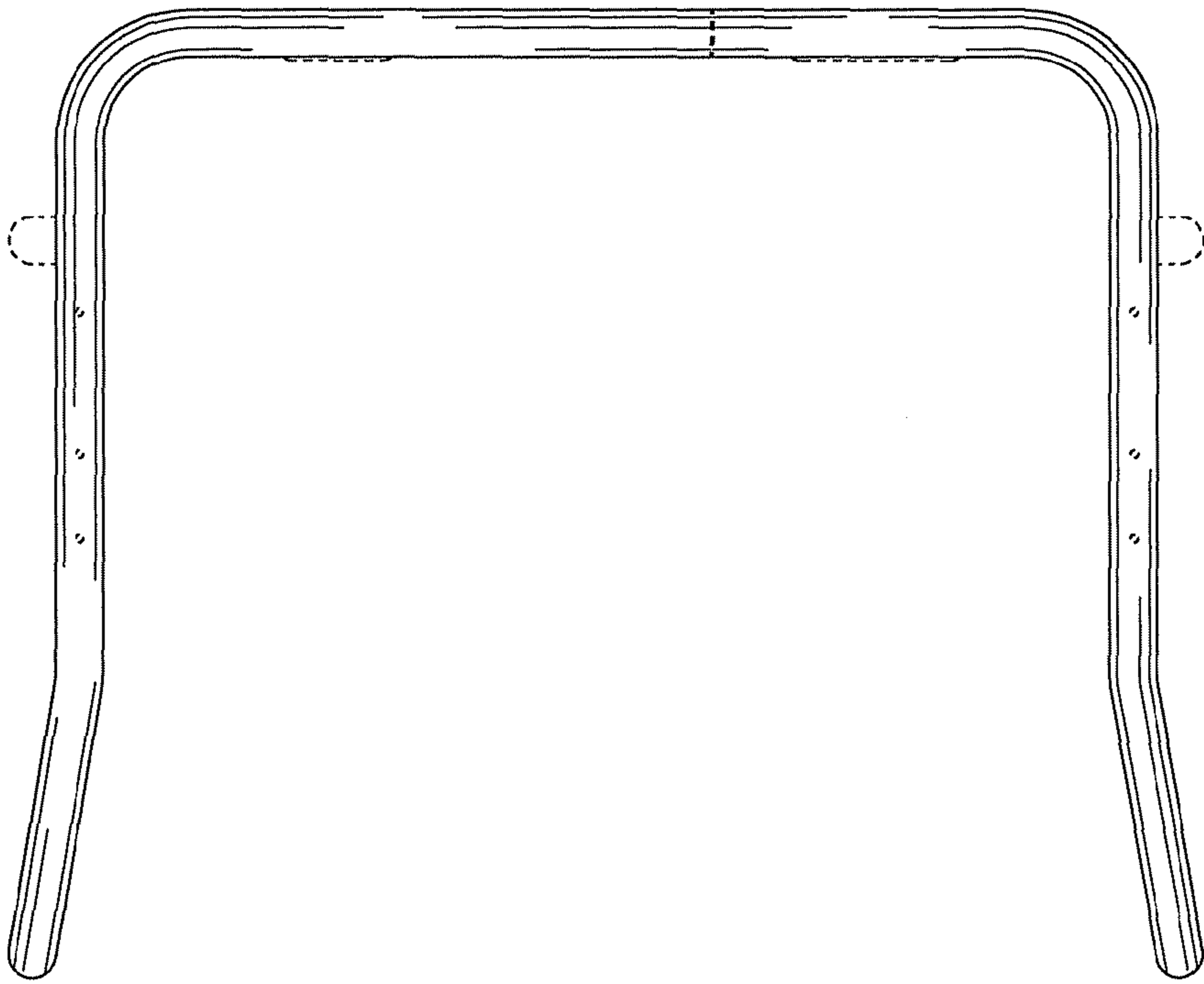


FIG. 6