



US00D641767S

(12) **United States Design Patent**  
**Juergens**

(10) **Patent No.:** **US D641,767 S**  
(45) **Date of Patent:** **\*\* Jul. 19, 2011**

(54) **GLUE NOZZLE**

(75) Inventor: **Eric Juergens**, Hamburg (DE)

(73) Assignee: **Focke & Co. (GmbH & Co. KG)** (DE)

(\*\*) Term: **14 Years**

(21) Appl. No.: **29/351,034**

(22) Filed: **Nov. 30, 2009**

(30) **Foreign Application Priority Data**

Jun. 3, 2009 (WO) ..... DM/071 861

(51) **LOC (9) Cl.** ..... **15-09**

(52) **U.S. Cl.** ..... **D15/144**

(58) **Field of Classification Search** ..... D8/70;  
D15/144, 144.1, 144.2; D23/229; 222/52,  
222/54-55, 146.5, 239, 320, 325, 389, 566,  
222/567; 239/1, 11, 29, 71, 135, 296, 423,  
239/536, 539

See application file for complete search history.

(56) **References Cited**

**U.S. PATENT DOCUMENTS**

5,169,071 A \* 12/1992 Boger et al. .... 239/296  
D335,809 S \* 5/1993 Reifenberger ..... D8/70  
5,269,670 A \* 12/1993 Allen et al. .... 425/72.2  
5,421,941 A \* 6/1995 Allen et al. .... 156/244.11  
D367,865 S \* 3/1996 Bajadali ..... D15/123  
D418,848 S \* 1/2000 Raterman ..... D15/144.1

D429,263 S \* 8/2000 Auber et al. .... D15/144.2  
D456,427 S \* 4/2002 Gressett et al. .... D15/144  
D460,092 S \* 7/2002 Gressett et al. .... D15/144.1  
D473,883 S \* 4/2003 Huey et al. .... D15/144.2  
6,540,152 B2 \* 4/2003 Holm et al. .... 239/1  
6,578,773 B2 \* 6/2003 Holm et al. .... 239/1  
6,676,038 B2 \* 1/2004 Gressett et al. .... 239/296  
D519,536 S \* 4/2006 de Leeuw et al. .... D15/144  
D577,046 S \* 9/2008 Ganzer et al. .... D15/144.1  
D588,617 S \* 3/2009 Burmester et al. .... D15/144  
D599,388 S \* 9/2009 Schreck ..... D15/144

\* cited by examiner

*Primary Examiner* — Patricia Palasik

(74) *Attorney, Agent, or Firm* — Laurence P. Colton; Smith  
Risley Tempel Santos, LLC

(57) **CLAIM**

The ornamental design for a glue nozzle, as shown and  
described.

**DESCRIPTION**

FIG. 1 is a perspective view of the top, front and left side of a  
glue nozzle showing my new design.

FIG. 2 is a perspective view of the bottom, front and right side  
thereof.

FIG. 3 is a front view thereof.

FIG. 4 is a left side view thereof.

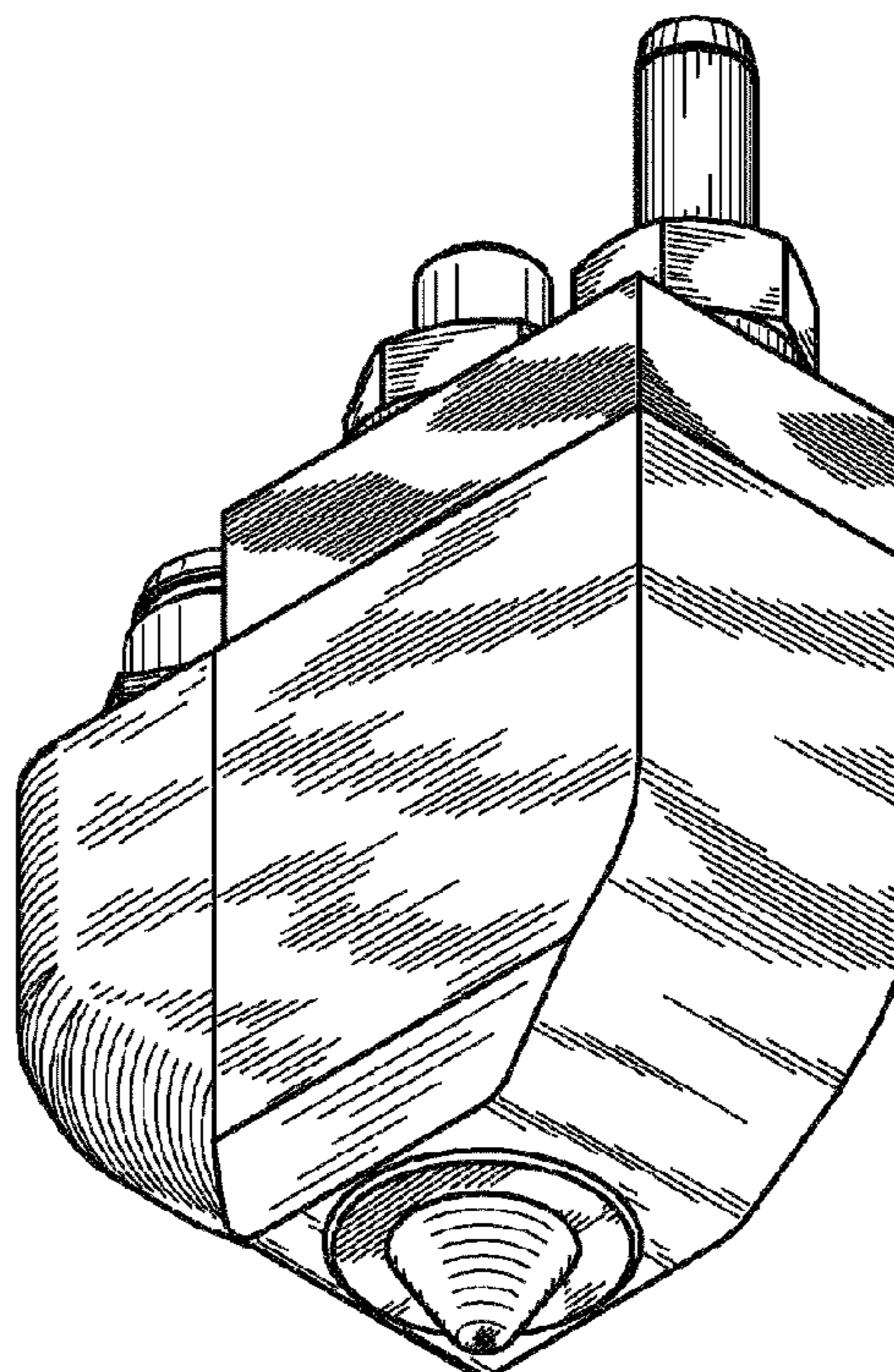
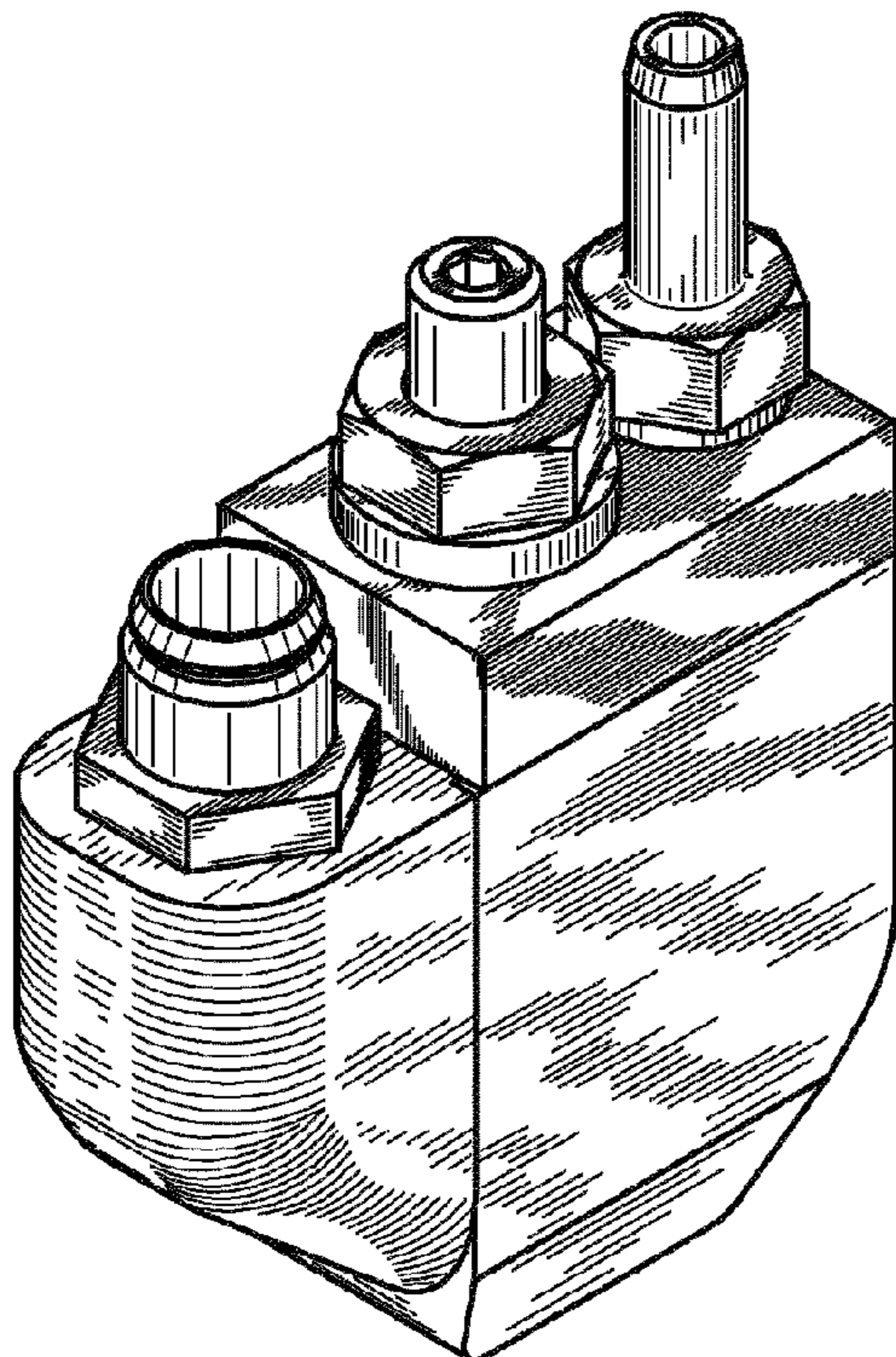
FIG. 5 is a right side view thereof.

FIG. 6 is a top view thereof.

FIG. 7 is a bottom view thereof; and,

FIG. 8 is a rear view thereof.

**1 Claim, 8 Drawing Sheets**



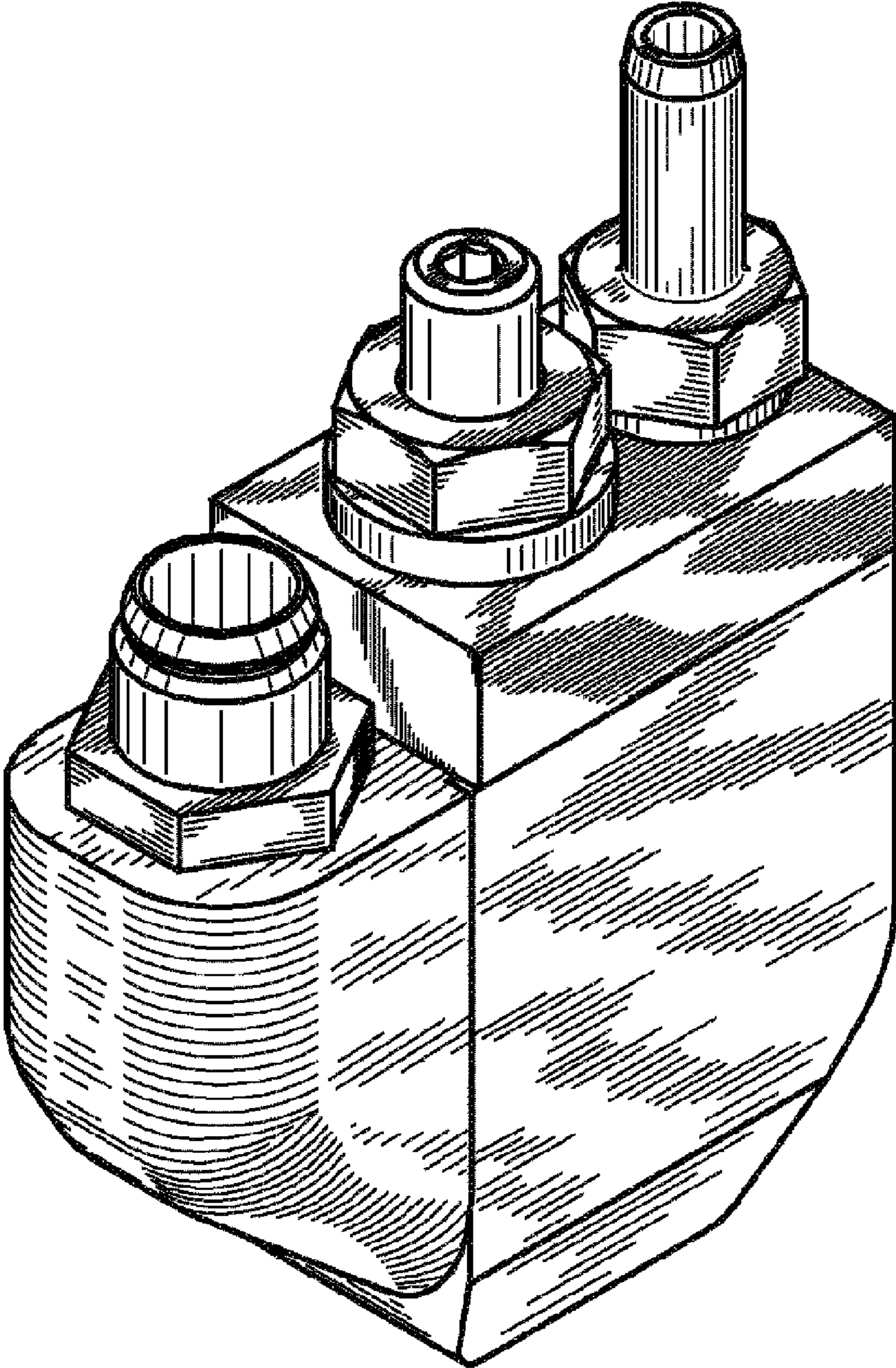


FIG. 1

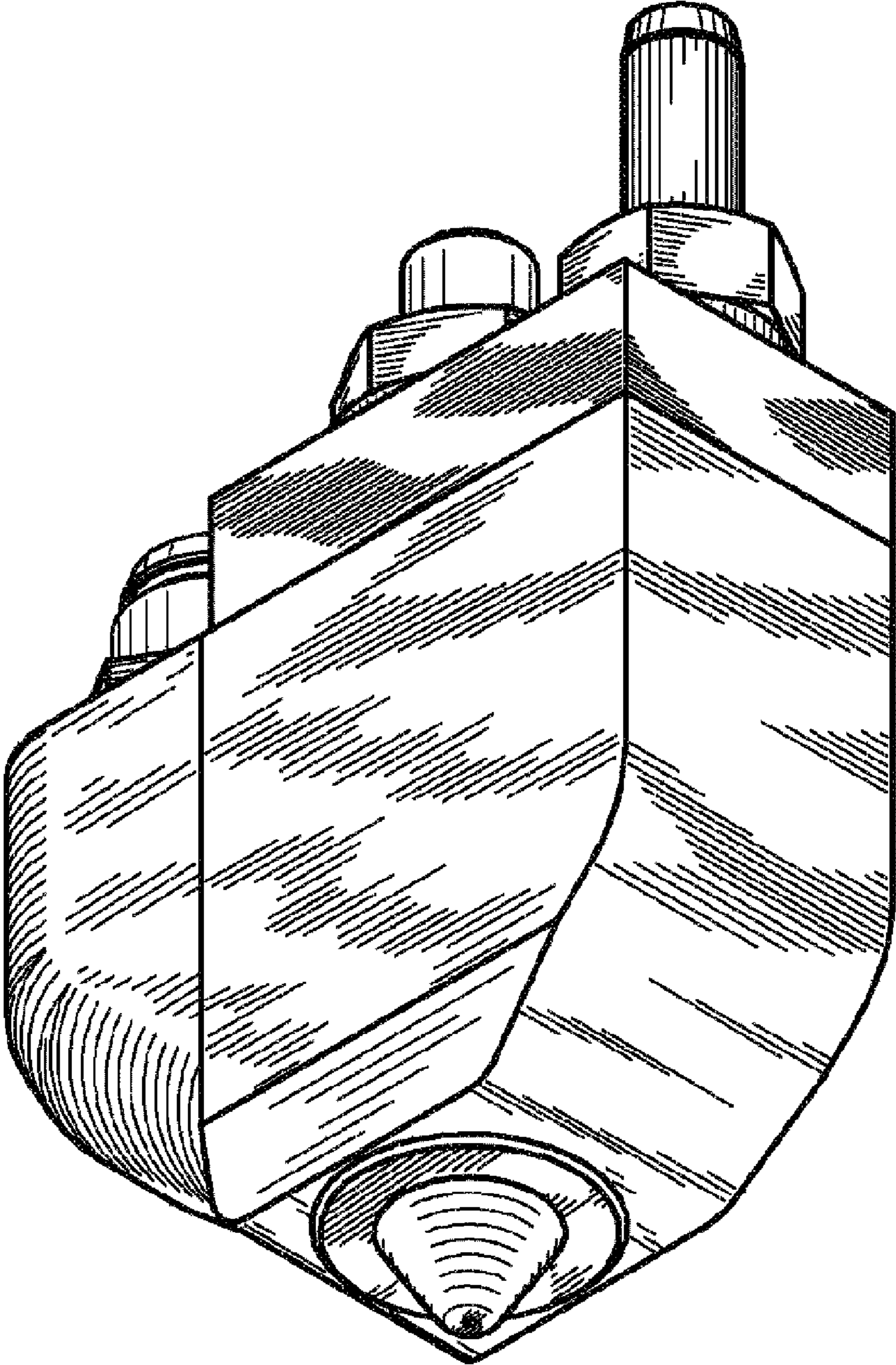


FIG. 2

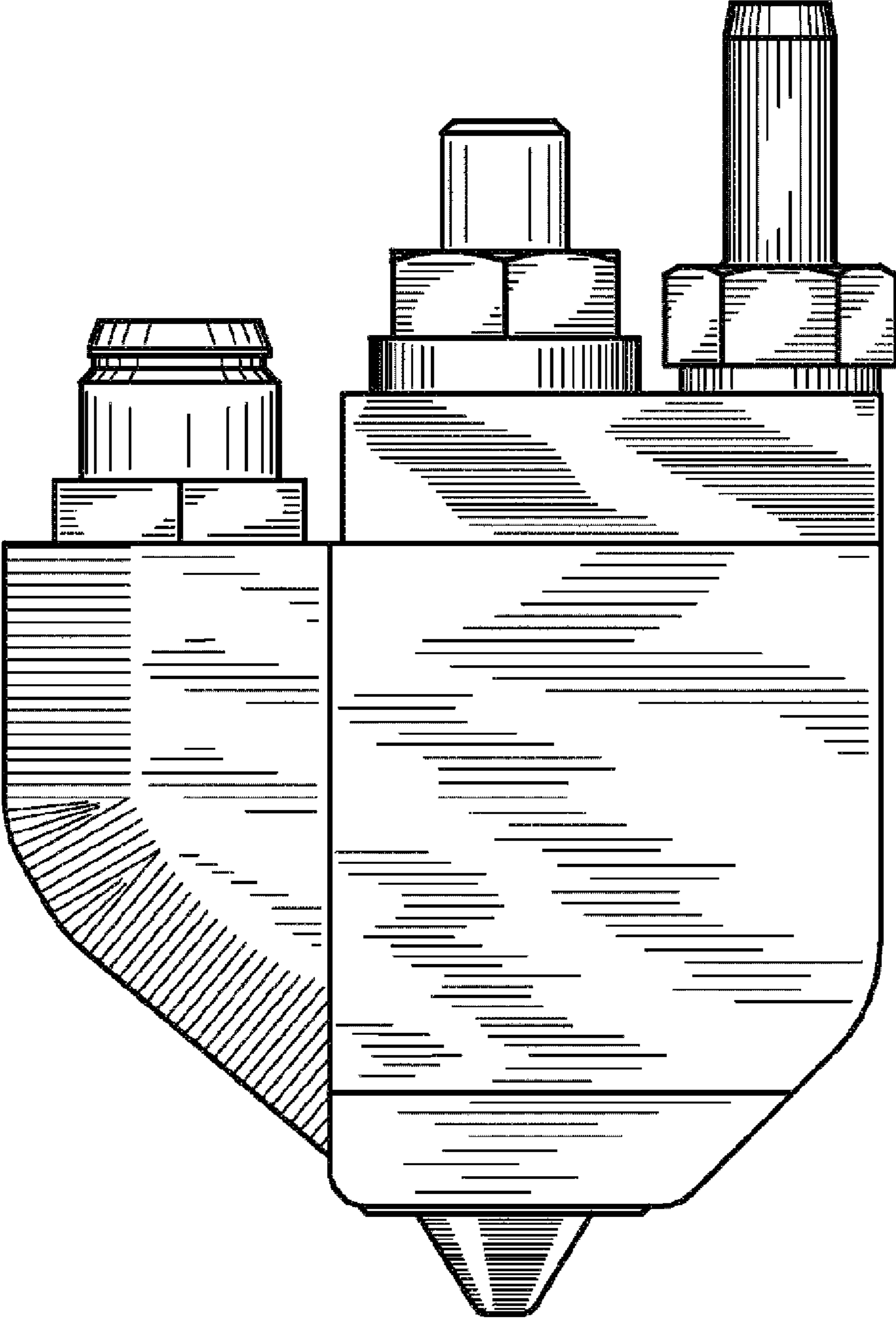


FIG. 3

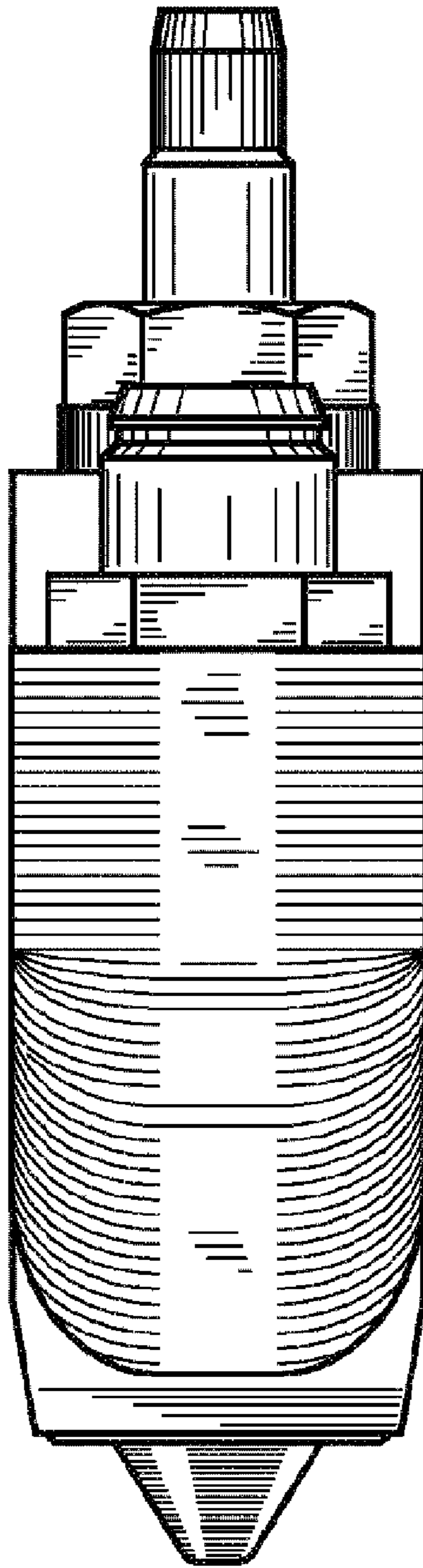


FIG. 4



FIG. 5

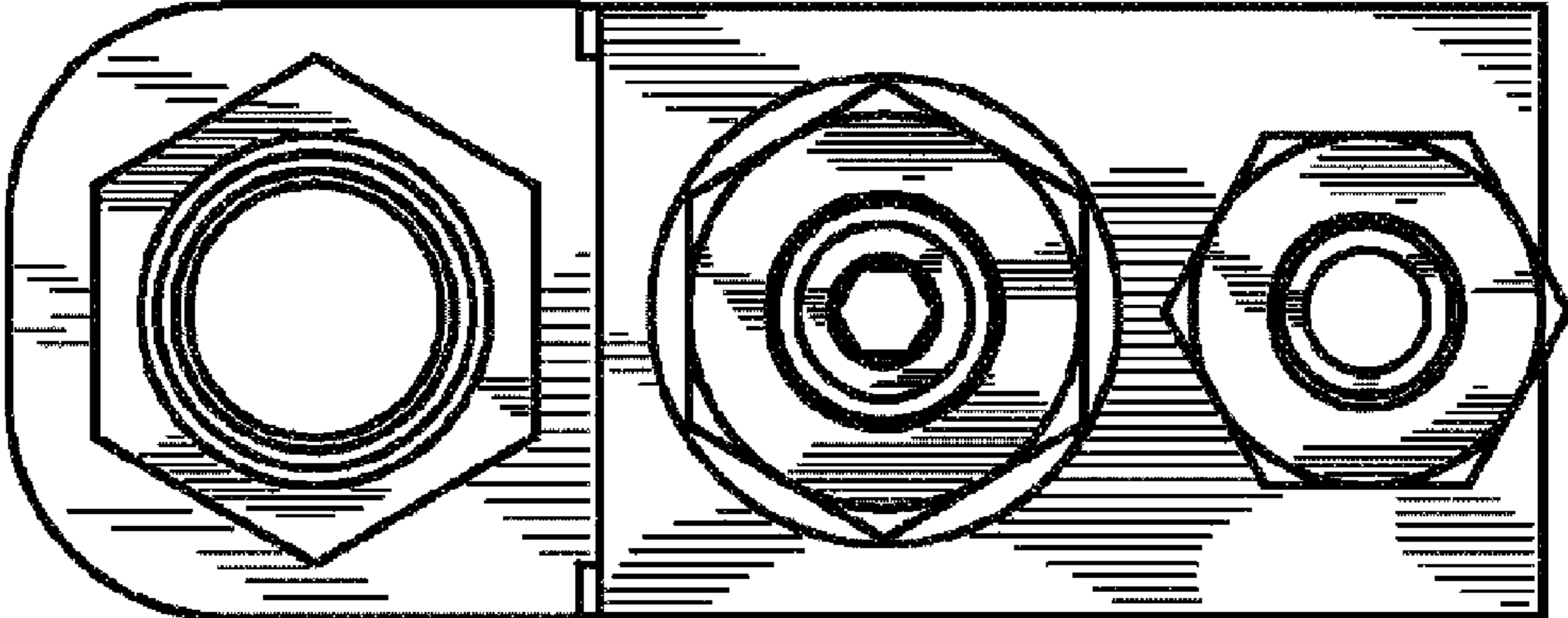


FIG. 6

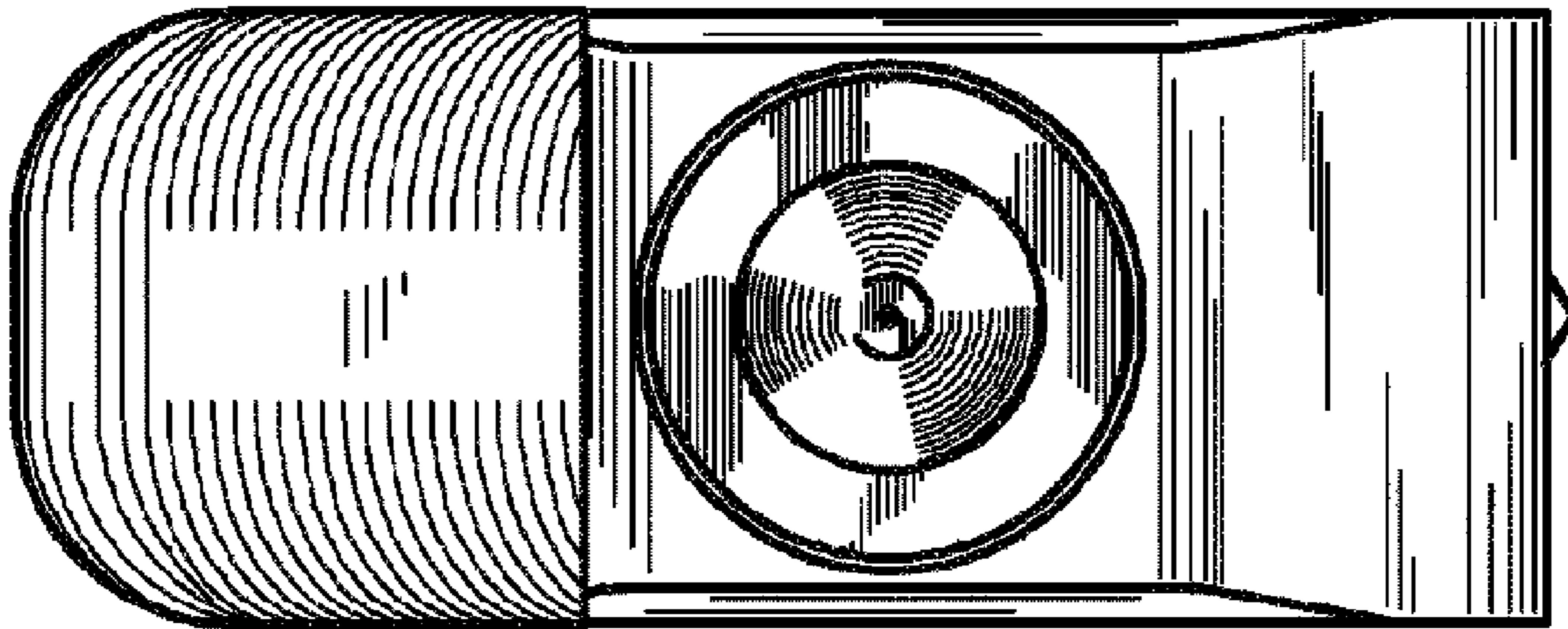


FIG. 7



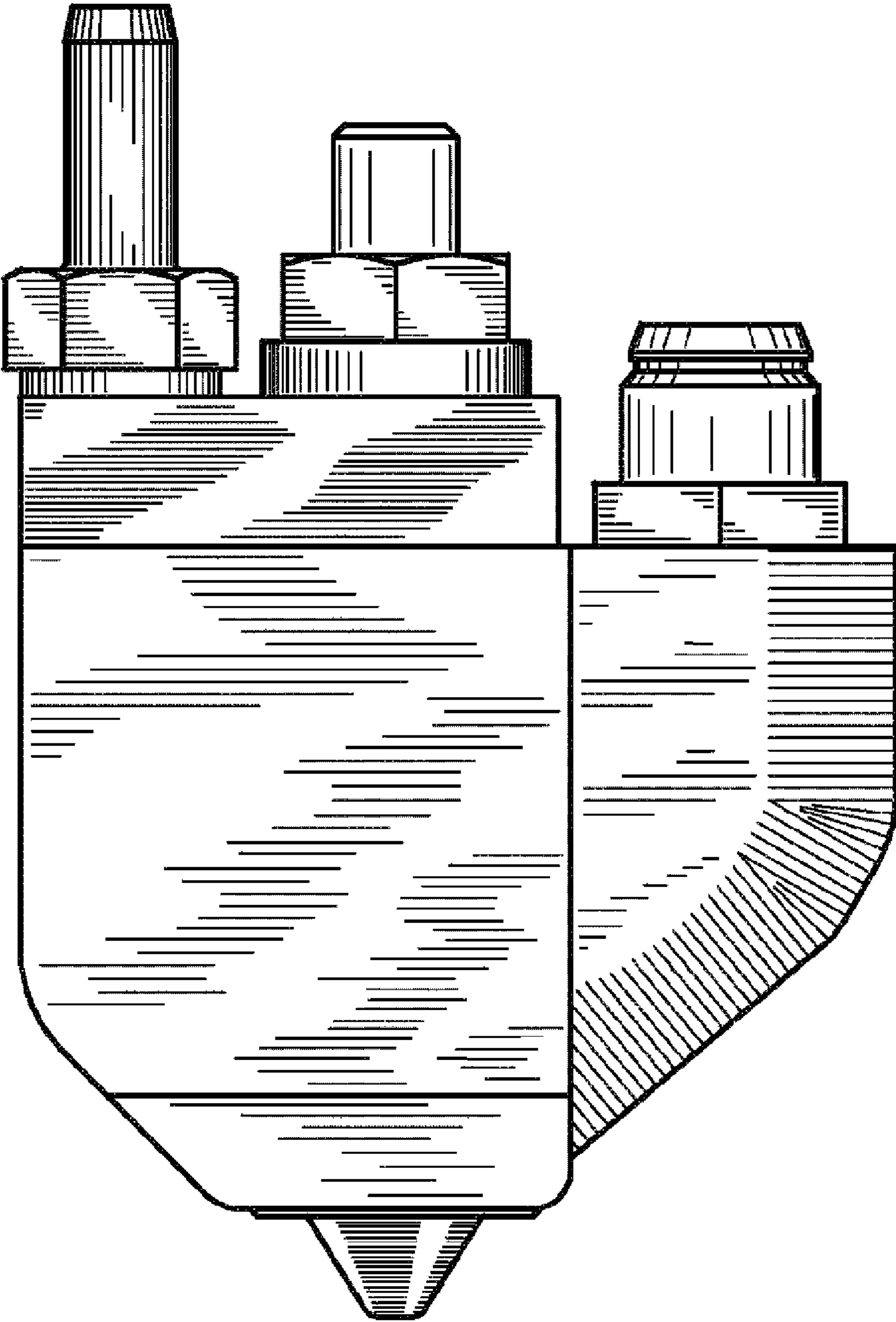


FIG. 8