



US00D641765S

(12) **United States Design Patent**
Vieira

(10) **Patent No.:** **US D641,765 S**

(45) **Date of Patent:** **** Jul. 19, 2011**

(54) **COMPRESSOR SHROUD**

(75) Inventor: **Giovani Eduardo De Souza Vieira,**
Joinville (BR)

(73) Assignee: **Schulz S.A.,** Joinville (BR)

(**) Term: **14 Years**

(21) Appl. No.: **29/340,716**

(22) Filed: **Jul. 23, 2009**

(51) **LOC (9) Cl.** **15-02**

(52) **U.S. Cl.** **D15/9**

(58) **Field of Classification Search** D15/7-9;
D23/231, 232, 225; 417/60, 235, 265, 321,
417/355, 358, 363, 359, 410.1, 415-416,
417/405, 900; 60/408, 412; 184/26-37;
415/140-147; 123/495, 509

See application file for complete search history.

(56) **References Cited**

U.S. PATENT DOCUMENTS

| | | | | |
|--------------|---------|---------------|-------|-------|
| D403,331 S * | 12/1998 | Williams | | D15/9 |
| D409,206 S * | 5/1999 | Wang | | D15/9 |
| D484,892 S * | 1/2004 | Hsiao | | D15/9 |
| D485,281 S * | 1/2004 | Hsiao | | D15/9 |
| D499,433 S * | 12/2004 | Leasure | | D15/9 |
| D507,279 S * | 7/2005 | Harper et al. | | D15/9 |

| | | | | |
|--------------|---------|------------------|-------|-------|
| D534,549 S * | 1/2007 | Beecham et al. | | D15/9 |
| D548,751 S * | 8/2007 | Snider | | D15/7 |
| D565,601 S * | 4/2008 | Mandsfelt | | D15/9 |
| D575,308 S * | 8/2008 | Plunk et al. | | D15/9 |
| D579,463 S * | 10/2008 | Plunk et al. | | D15/9 |
| D595,741 S * | 7/2009 | Dickertmann | | D15/7 |
| D611,962 S * | 3/2010 | Schneider et al. | | D15/9 |
| D617,347 S * | 6/2010 | Plunk et al. | | D15/9 |
| D621,853 S * | 8/2010 | Sundheim et al. | | D15/7 |
| D622,739 S * | 8/2010 | Bass et al. | | D15/9 |

* cited by examiner

Primary Examiner — Ralf Seifert

(74) *Attorney, Agent, or Firm* — Fish & Richardson P.C.

(57) **CLAIM**

The ornamental design for compressor shroud, as shown and described.

DESCRIPTION

FIG. 1 is a front perspective view of a compressor shroud showing my new design;

FIG. 2 is a rear perspective view;

FIG. 3 is a front view;

FIG. 4 is a left lateral view;

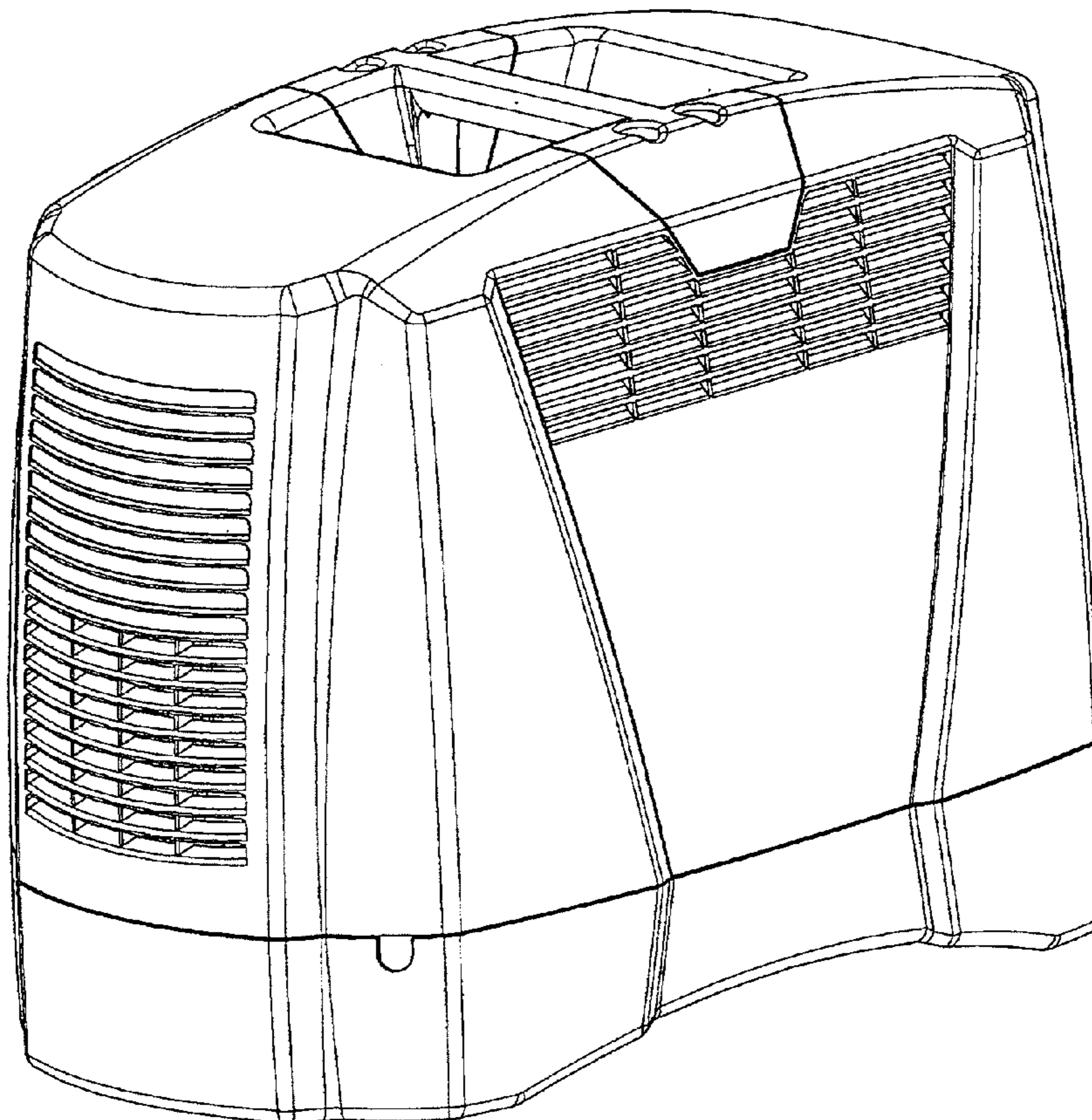
FIG. 5 is a rear view;

FIG. 6 is a right lateral view;

FIG. 7 is an upper plan view; and,

FIG. 8 is a bottom plan view.

1 Claim, 8 Drawing Sheets



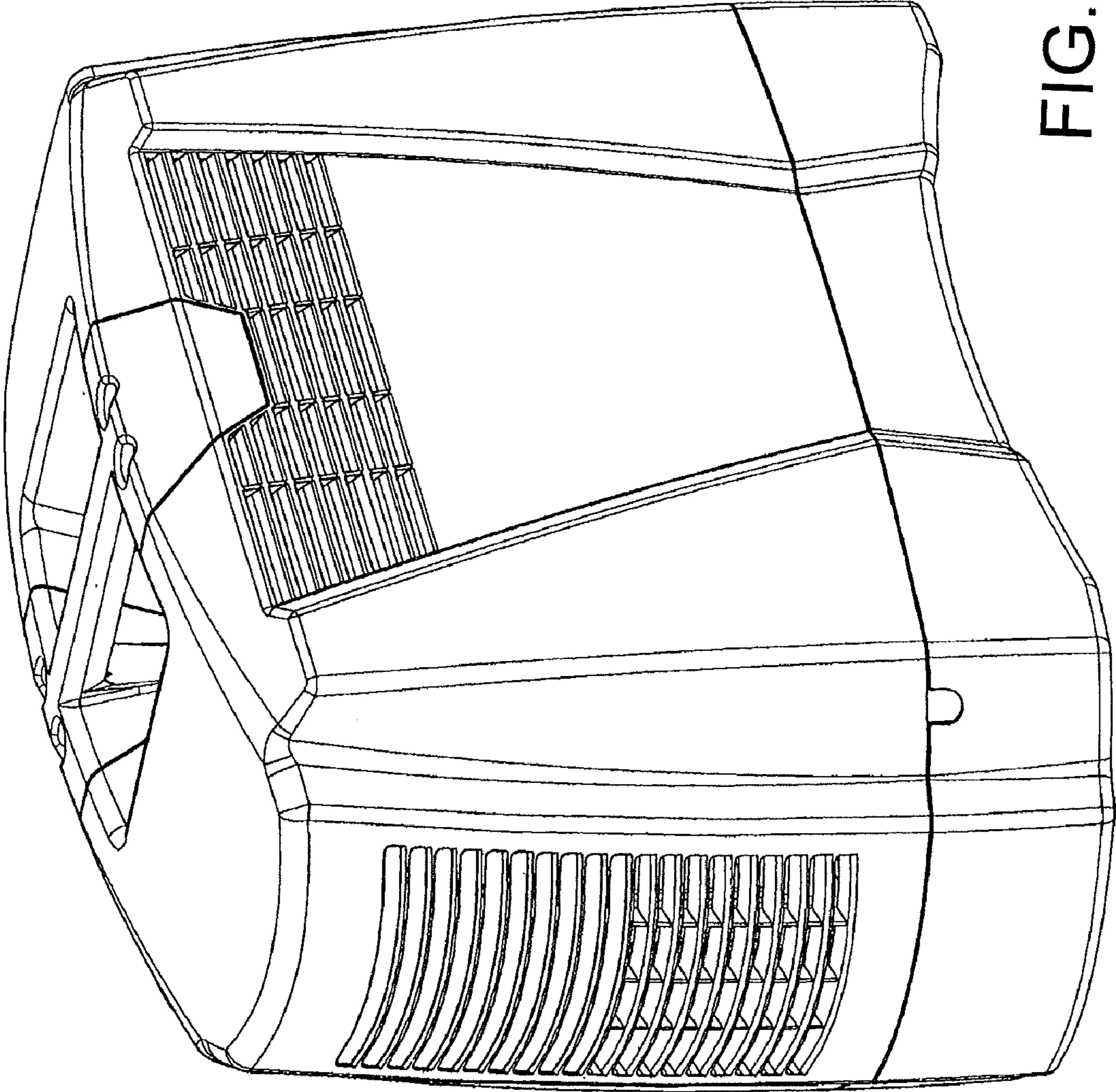


FIG. 1

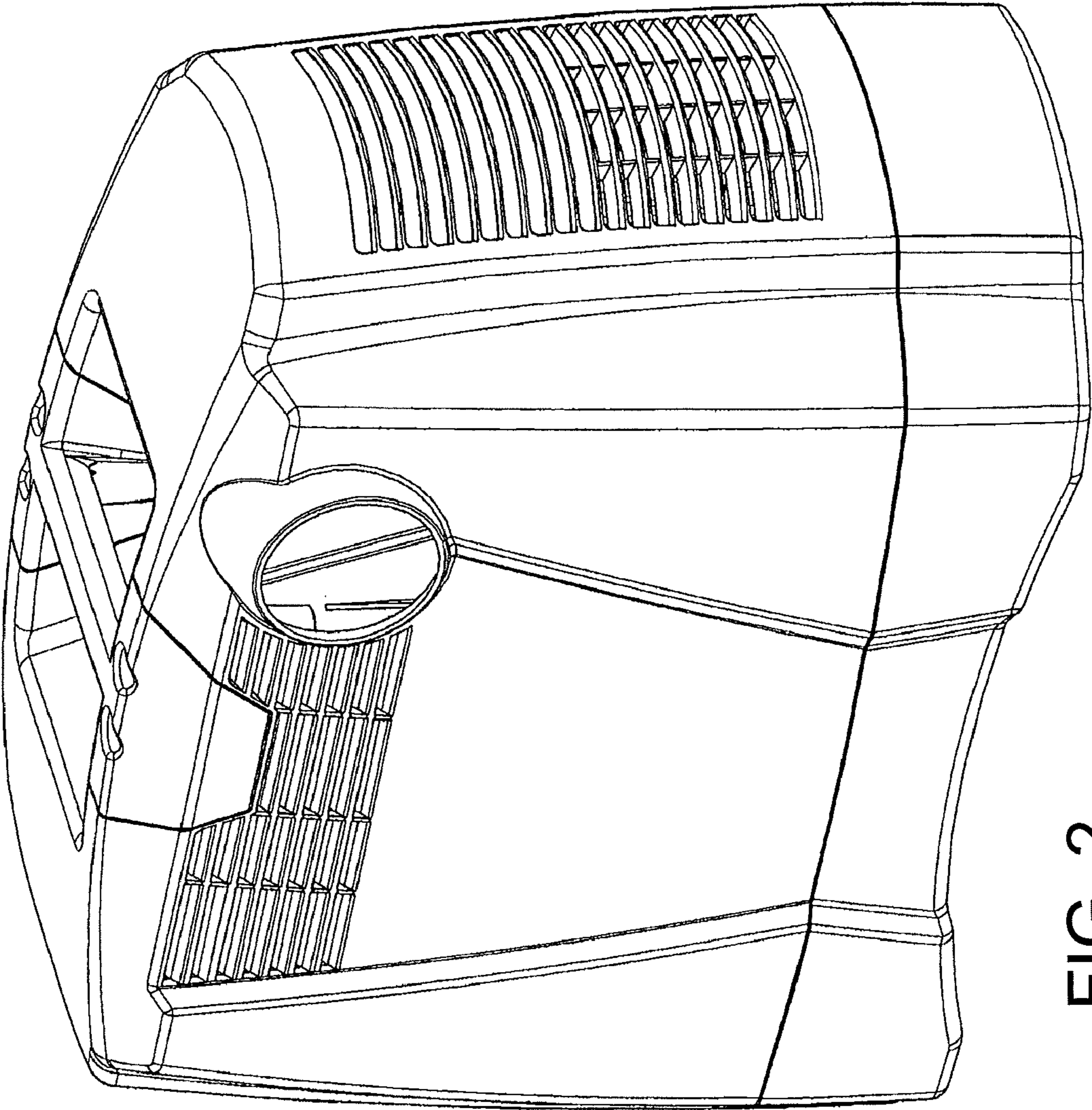


FIG. 2

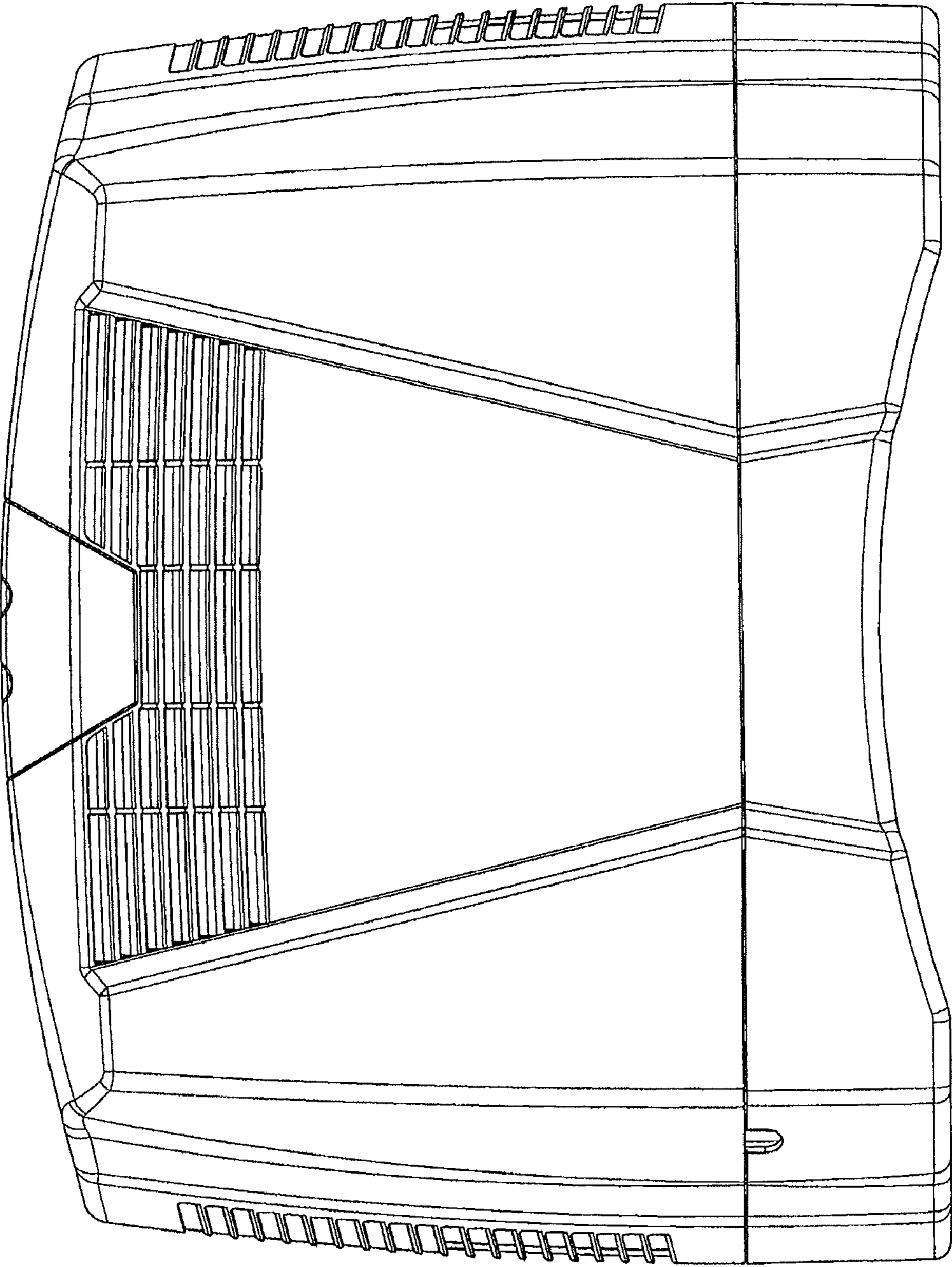


FIG. 3

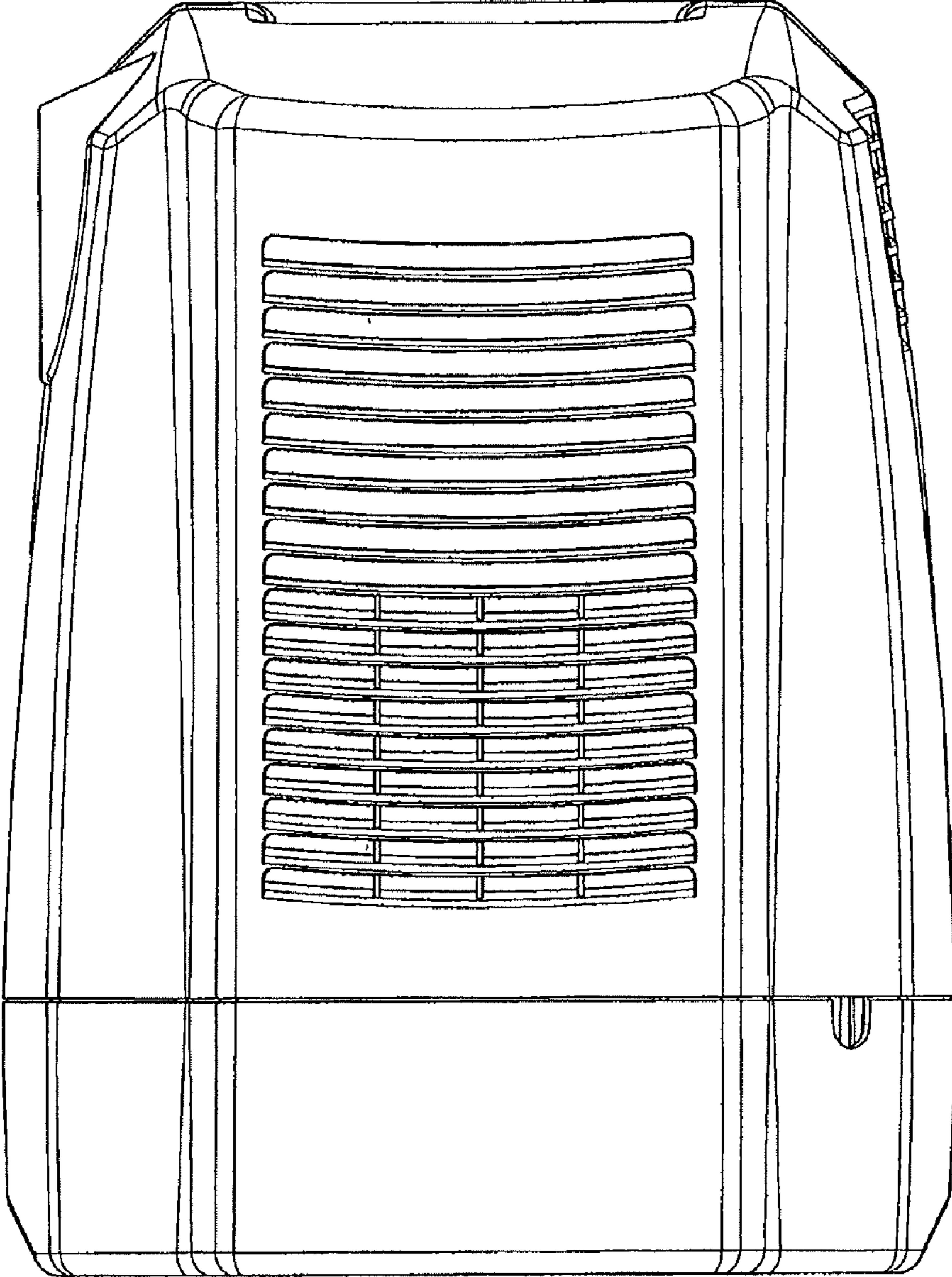


FIG. 4

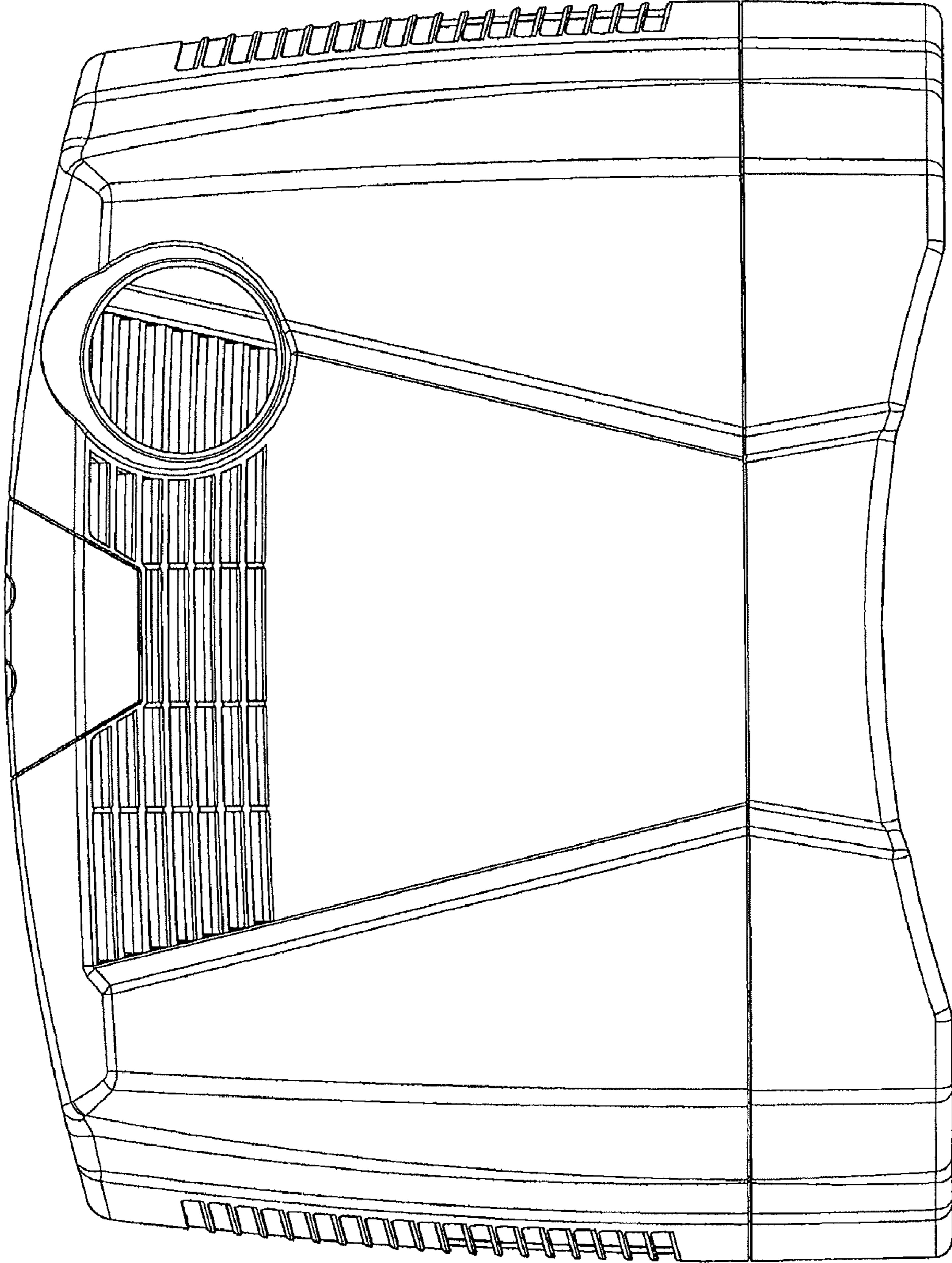


FIG. 5

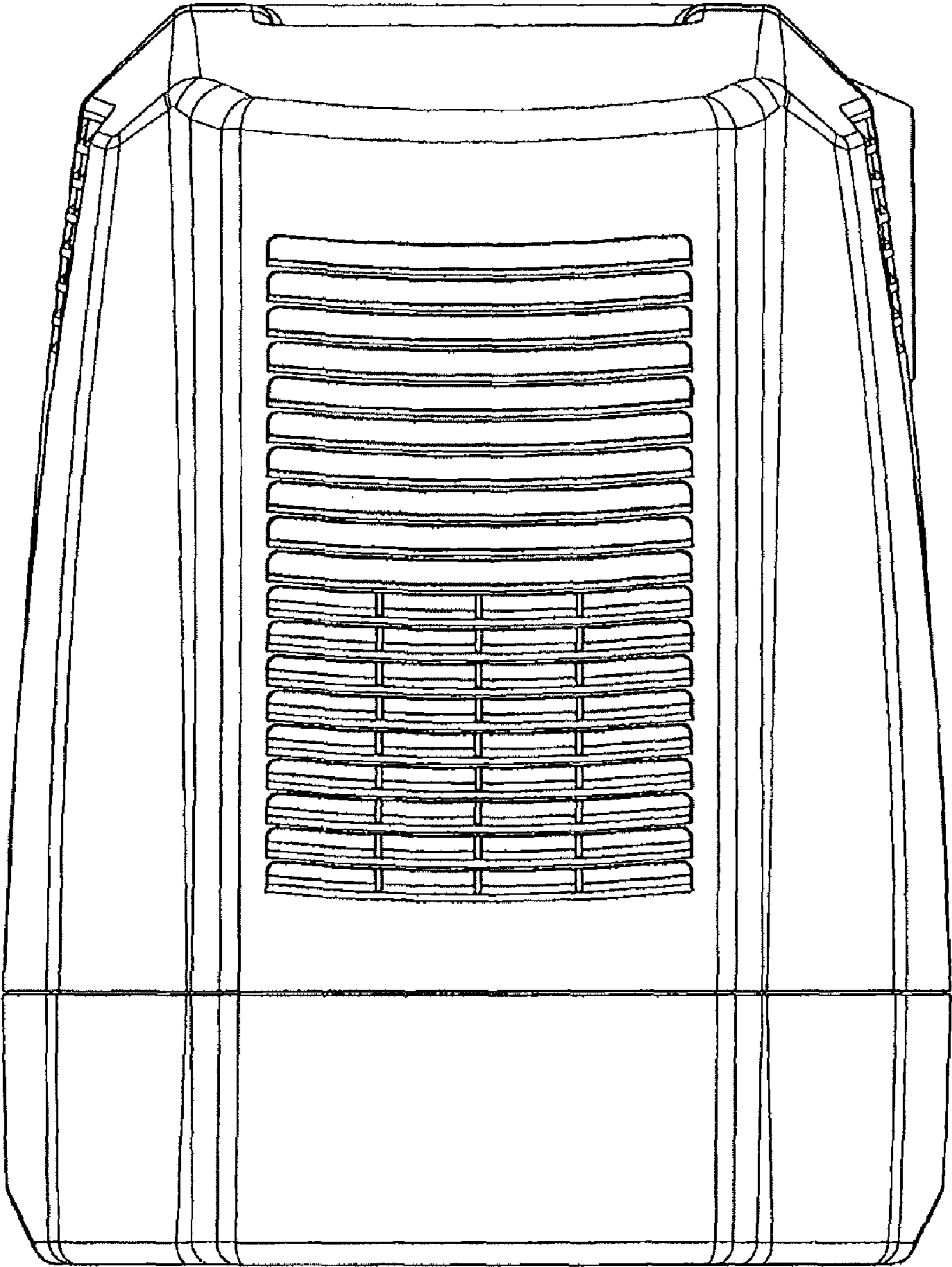


FIG. 6

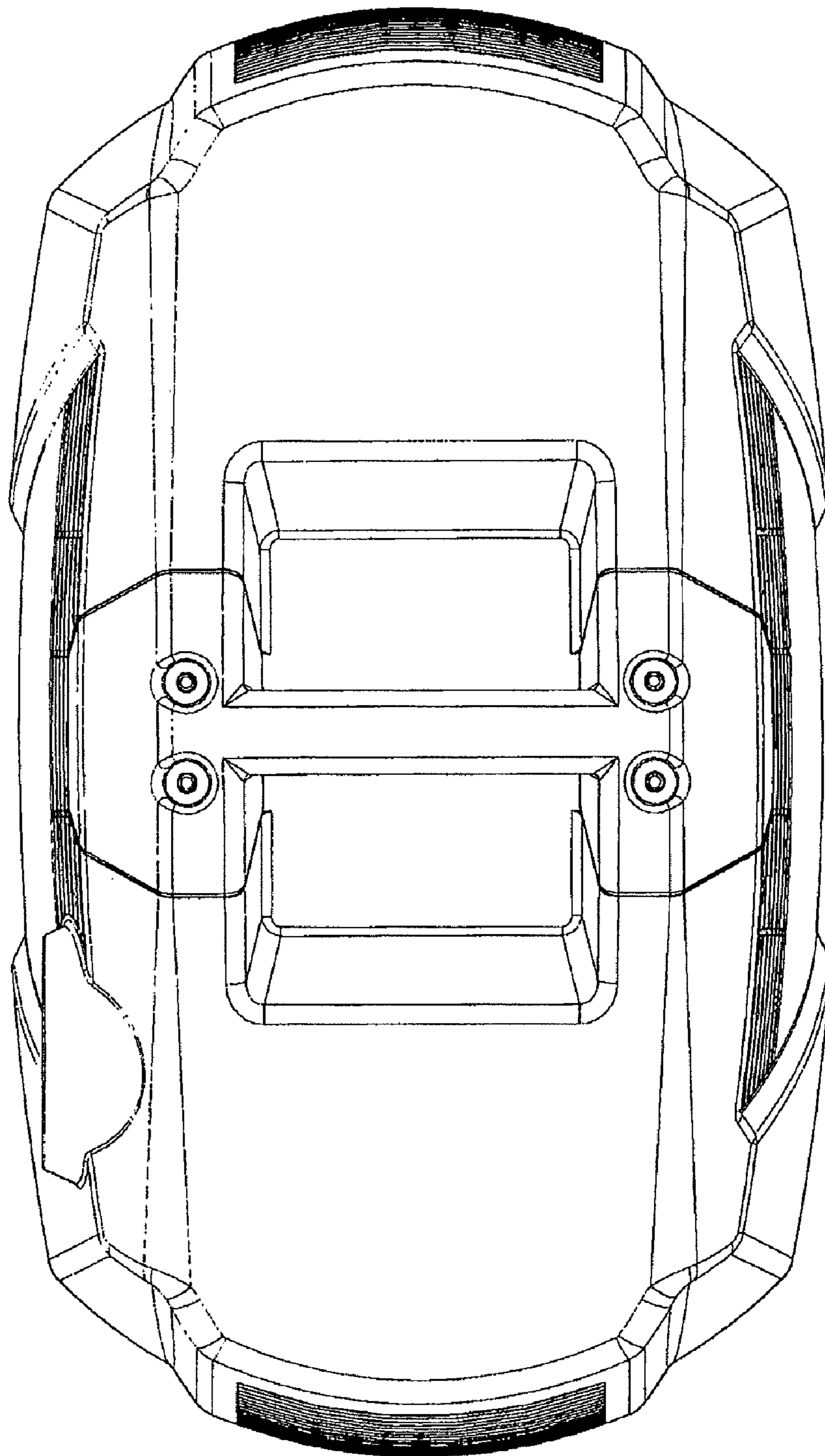


FIG. 7

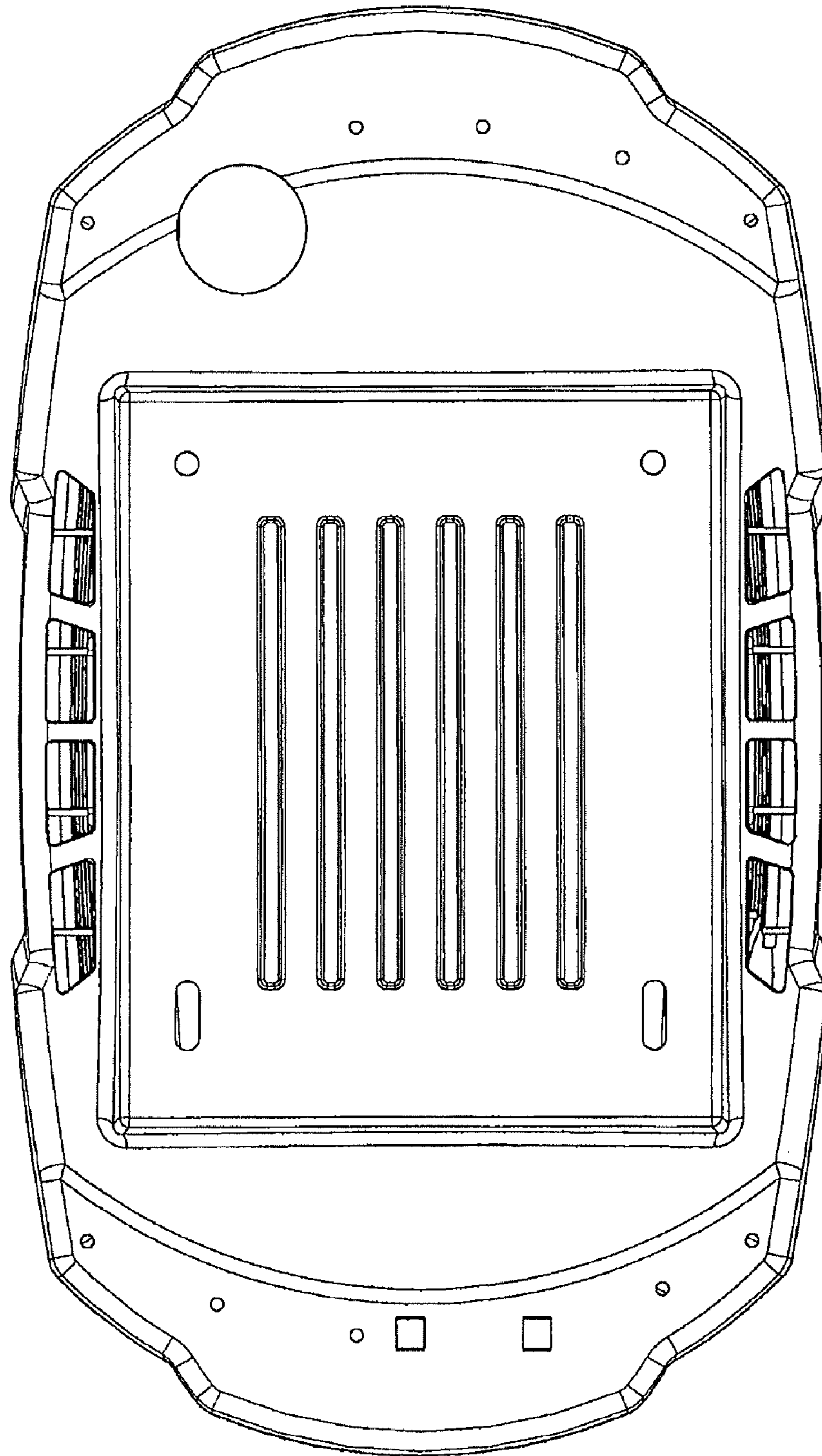


FIG. 8