



US00D641756S

(12) **United States Design Patent**  
**Hsieh et al.**

(10) **Patent No.:** **US D641,756 S**  
(45) **Date of Patent:** **\*\* Jul. 19, 2011**

- (54) **SLEEVE FOR TABLET PC**
  - (75) Inventors: **Jung-Kun Hsieh**, Tu-Cheng (TW);  
**Guan-Hua Tzeng**, Tu-Cheng (TW);  
**Shan-Pin Chang**, Tu-Cheng (CN)
  - (73) Assignee: **Cheng Uei Precision Industry Co., Ltd.**, Tu-Cheng, Taipei Hsien (TW)
  - (\*\*) Term: **14 Years**
  - (21) Appl. No.: **29/376,974**
  - (22) Filed: **Oct. 14, 2010**
  - (51) **LOC (9) Cl.** ..... **14-02**
  - (52) **U.S. Cl.** ..... **D14/440**
  - (58) **Field of Classification Search** ..... D14/439,  
D14/440, 345, 341-344, 346, 371, 125-129,  
D14/327; 206/320, 576, 305, 215, 232, 524,  
206/425, 472, 224, 312, 387.13, 307, 387.1,  
206/756; D3/286, 283, 295, 273, 303, 247,  
D3/215, 245, 232, 900, 249, 201, 276, 294,  
D3/301; 224/929; 708/110; 190/109, 100,  
190/119, 901; 361/683, 725, 681, 686, 679;  
229/87.5, 67.1, 800; 220/522, 4.23; 345/169,  
345/104, 156, 168, 173, 179, 672, 174; 150/147,  
150/135; 402/2, 70-78, 500-502; 281/45,  
281/38, 31, 29, 19.1, 34; D19/26, 27, 33,  
D19/75, 86, 22, 90, 59, 60, 78, 83; D18/7;  
383/97, 4, 110; 178/18.03, 18.01; 349/12;  
428/332; D6/632, 407; 248/458
- See application file for complete search history.

- (56) **References Cited**
- U.S. PATENT DOCUMENTS
- D173,318 S \* 10/1954 Levenhagen ..... D7/554.3
- D242,722 S \* 12/1976 Bell ..... D10/46
- D244,669 S \* 6/1977 Shiffman ..... D3/294
- 4,113,980 A \* 9/1978 Bell ..... 174/650

- D289,638 S \* 5/1987 Kasprzycki ..... D14/245
- D312,534 S \* 12/1990 Nelson et al. .... D3/228
- D337,435 S \* 7/1993 Kaneko et al. .... D3/218
- D346,793 S \* 5/1994 Iino et al. .... D14/341
- 5,360,108 A \* 11/1994 Alagia ..... 206/320
- 5,368,159 A \* 11/1994 Doria ..... 206/320
- 5,386,964 A \* 2/1995 Mayo ..... 248/346.01
- 5,404,267 A \* 4/1995 Silva et al. .... 361/679.03
- D357,918 S \* 5/1995 Doria ..... D14/218
- D363,271 S \* 10/1995 Peterson ..... D14/341
- 5,583,742 A \* 12/1996 Noda et al. .... 361/679.21
- D382,537 S \* 8/1997 Brunette ..... D13/119
- 5,732,849 A \* 3/1998 Brooks ..... 220/603
- D398,904 S \* 9/1998 Tamaki et al. .... D14/341
- 6,286,667 B1 \* 9/2001 Lee ..... 206/38
- D465,486 S \* 11/2002 Lee ..... D14/341
- 6,616,111 B1 \* 9/2003 White ..... 248/309.1
- D496,658 S \* 9/2004 Koloski et al. .... D14/341
- D501,853 S \* 2/2005 Koloski et al. .... D14/341
- D517,311 S \* 3/2006 Kim ..... D3/218
- 7,025,274 B2 \* 4/2006 Solomon et al. .... 235/472.01
- 7,230,823 B2 \* 6/2007 Richardson et al. .... 361/679.25
- D551,846 S \* 10/2007 Ko et al. .... D3/201

(Continued)

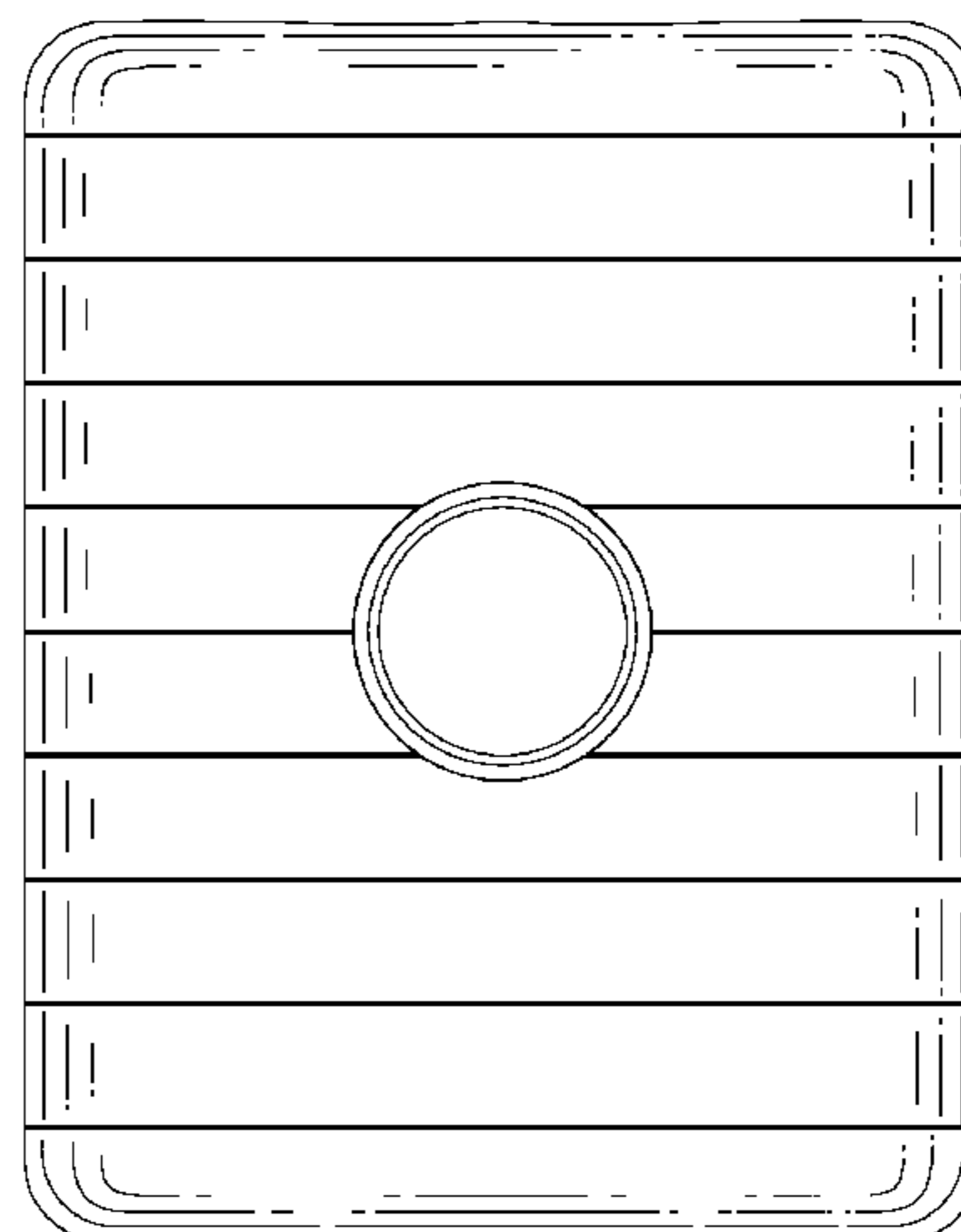
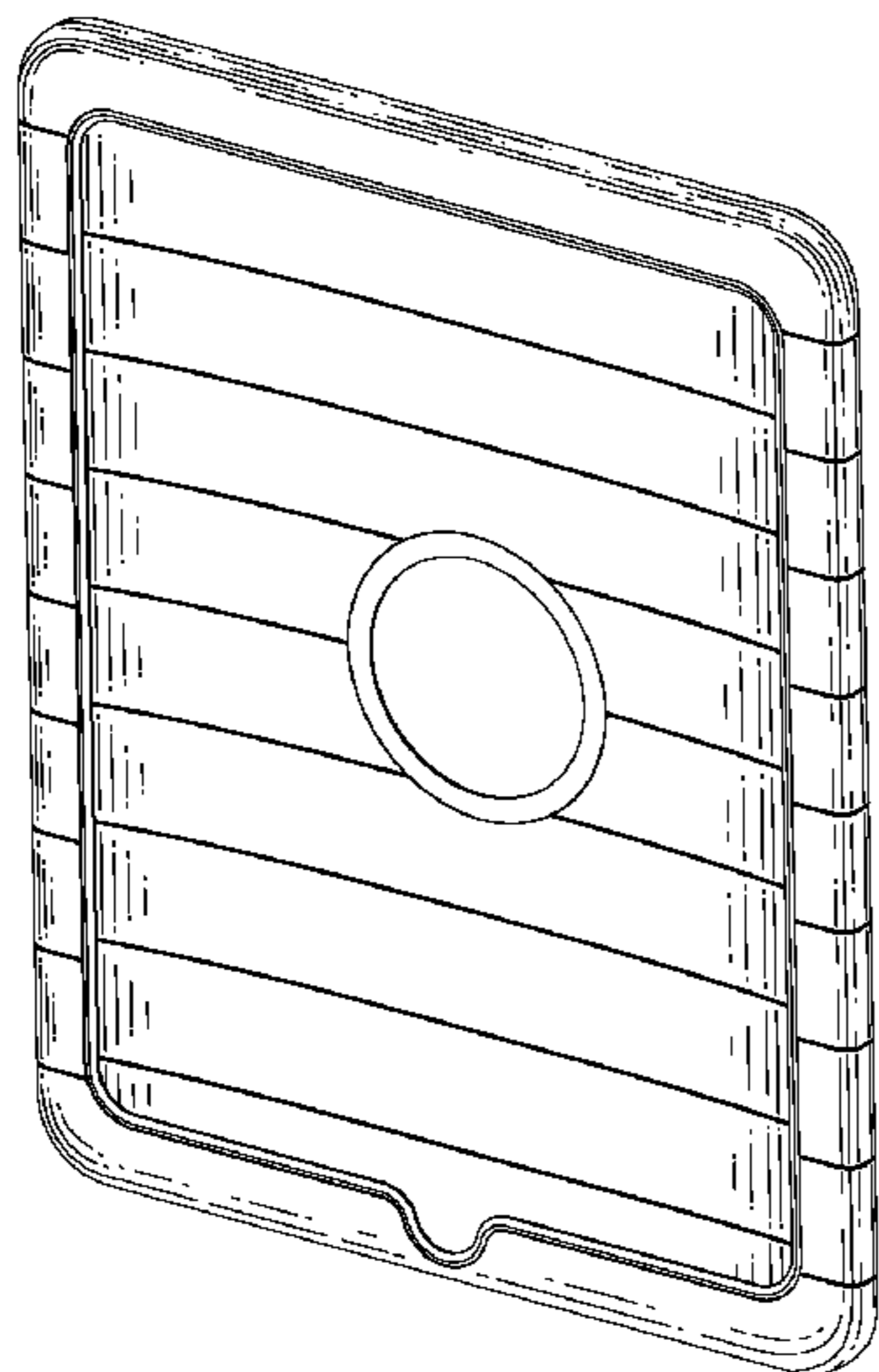
*Primary Examiner* — Susan Moon Lee  
(74) *Attorney, Agent, or Firm* — Cheng-Ju Chiang

(57) **CLAIM**  
The ornamental design for a sleeve for tablet PC, as shown and described.

**DESCRIPTION**

FIG. 1 is a perspective view of a sleeve for tablet PC showing our new design;  
FIG. 2 is a front elevational view thereof;  
FIG. 3 is a rear elevational view thereof;  
FIG. 4 is a left side elevational view thereof;  
FIG. 5 is a right side elevational view thereof;  
FIG. 6 is a top plan view thereof; and,  
FIG. 7 is a bottom plan view thereof.

**1 Claim, 7 Drawing Sheets**



# US D641,756 S

Page 2

## U.S. PATENT DOCUMENTS

D558,758 S *	1/2008	Andre et al.	D14/341	D620,001 S *	7/2010	Reed et al.	D14/315
D563,093 S *	3/2008	Nussberger	D3/201	D620,011 S *	7/2010	Wagenhoffer, Jr.	D14/450
D570,593 S *	6/2008	Justiss	D3/201	D621,821 S *	8/2010	Richardson et al.	D14/250
D573,143 S *	7/2008	Park et al.	D14/341	D622,716 S *	8/2010	Andre et al.	D14/250
D573,789 S *	7/2008	Eisenbraun	D3/218	7,778,023 B1 *	8/2010	Mohoney	361/679.41
D577,016 S *	9/2008	Hofer et al.	D14/341	D623,639 S *	9/2010	Richardson et al.	D14/250
D581,151 S *	11/2008	Aipa	D3/201	D624,065 S *	9/2010	Bosch et al.	D14/250
D582,149 S *	12/2008	Tan	D3/218	D625,283 S *	10/2010	Okada et al.	D14/138 AB
7,469,809 B2 *	12/2008	Rodarte et al.	224/578	D625,698 S *	10/2010	Miyazaki et al.	D14/138 AB
D587,896 S *	3/2009	Aipa	D3/201	D626,119 S *	10/2010	Fellig	D14/250
D591,740 S *	5/2009	Luke et al.	D14/341	D627,777 S *	11/2010	Akana et al.	D14/341
D594,849 S *	6/2009	Ko	D14/217	D630,624 S *	1/2011	Corley et al.	D14/248
D595,289 S *	6/2009	Luke et al.	D14/341	D630,630 S *	1/2011	Andre et al.	D14/341
D597,052 S *	7/2009	Kim et al.	D14/138 AB	D633,090 S *	2/2011	Andre et al.	D14/341
D602,015 S *	10/2009	Andre et al.	D14/341	D633,487 S *	3/2011	Kim et al.	D14/315
D603,389 S *	11/2009	Khan et al.	D14/250	D633,489 S *	3/2011	Kim et al.	D14/315
D604,289 S *	11/2009	Andre et al.	D14/315	D633,490 S *	3/2011	Kim et al.	D14/315
D604,761 S *	11/2009	Suzuki et al.	D18/19	D633,716 S *	3/2011	Turella-Yuan et al.	D3/279
D605,850 S *	12/2009	Richardson et al.	D3/218	D633,905 S *	3/2011	Ke et al.	D14/315
D606,061 S *	12/2009	Chen et al.	D14/248	D634,313 S *	3/2011	Fitzpatrick et al.	D14/250
D606,064 S *	12/2009	Chen et al.	D14/248	D634,741 S *	3/2011	Richardson et al.	D14/250
D606,072 S *	12/2009	Zhu et al.	D14/341	7,907,394 B2 *	3/2011	Richardson et al.	361/679.3
D606,305 S *	12/2009	Lee et al.	D3/269	2002/0071550 A1 *	6/2002	Pletikosa	379/433.01
D606,531 S *	12/2009	Ferrari et al.	D14/250	2003/0222149 A1 *	12/2003	Solomon et al.	235/472.01
D606,751 S *	12/2009	Andre et al.	D3/269	2005/0205623 A1 *	9/2005	Buntain	224/217
D606,986 S *	12/2009	de Jong et al.	D14/250	2005/0286212 A1 *	12/2005	Brignone et al.	361/679
D607,444 S *	1/2010	Ferrari et al.	D14/250	2006/0104021 A1 *	5/2006	Chen et al.	361/683
D607,445 S *	1/2010	Ferrari et al.	D14/250	2008/0023283 A1 *	1/2008	Sutker et al.	190/100
D607,446 S *	1/2010	Ferrari et al.	D14/250	2008/0039156 A1 *	2/2008	Lee et al.	455/575.1
D610,807 S *	3/2010	Bau	D3/269	2008/0043407 A1 *	2/2008	Anglin	361/679
D612,827 S *	3/2010	Song et al.	D14/138 AB	2008/0194139 A1 *	8/2008	Chan	439/521
D612,846 S *	3/2010	Matsuoka	D14/341	2008/0308437 A1 *	12/2008	Lin	206/320
D613,282 S *	4/2010	Richardson et al.	D14/250	2009/0080153 A1 *	3/2009	Richardson et al.	361/679.56
D613,718 S *	4/2010	Lee et al.	D14/138 AB	2009/0107661 A1 *	4/2009	Andersson et al.	165/168
D615,535 S *	5/2010	Richardson et al.	D14/250	2009/0111543 A1 *	4/2009	Tai et al.	455/575.8
D615,536 S *	5/2010	Richardson et al.	D14/250	2009/0181729 A1 *	7/2009	Griffin et al.	455/575.1
D616,361 S *	5/2010	Huang	D13/103	2010/0203931 A1 *	8/2010	Hynecek et al.	455/575.8
D616,850 S *	6/2010	Fujimura et al.	D14/138 AD	2010/0224519 A1 *	9/2010	Kao	206/320
7,726,617 B2 *	6/2010	Zambelli et al.	248/288.31	2010/0240427 A1 *	9/2010	Lee	455/575.8
D619,361 S *	7/2010	Andre et al.	D3/269	2010/0243516 A1 *	9/2010	Martin et al.	206/701
D620,000 S *	7/2010	Bau	D14/250	2010/0300909 A1 *	12/2010	Hung	206/320

\* cited by examiner

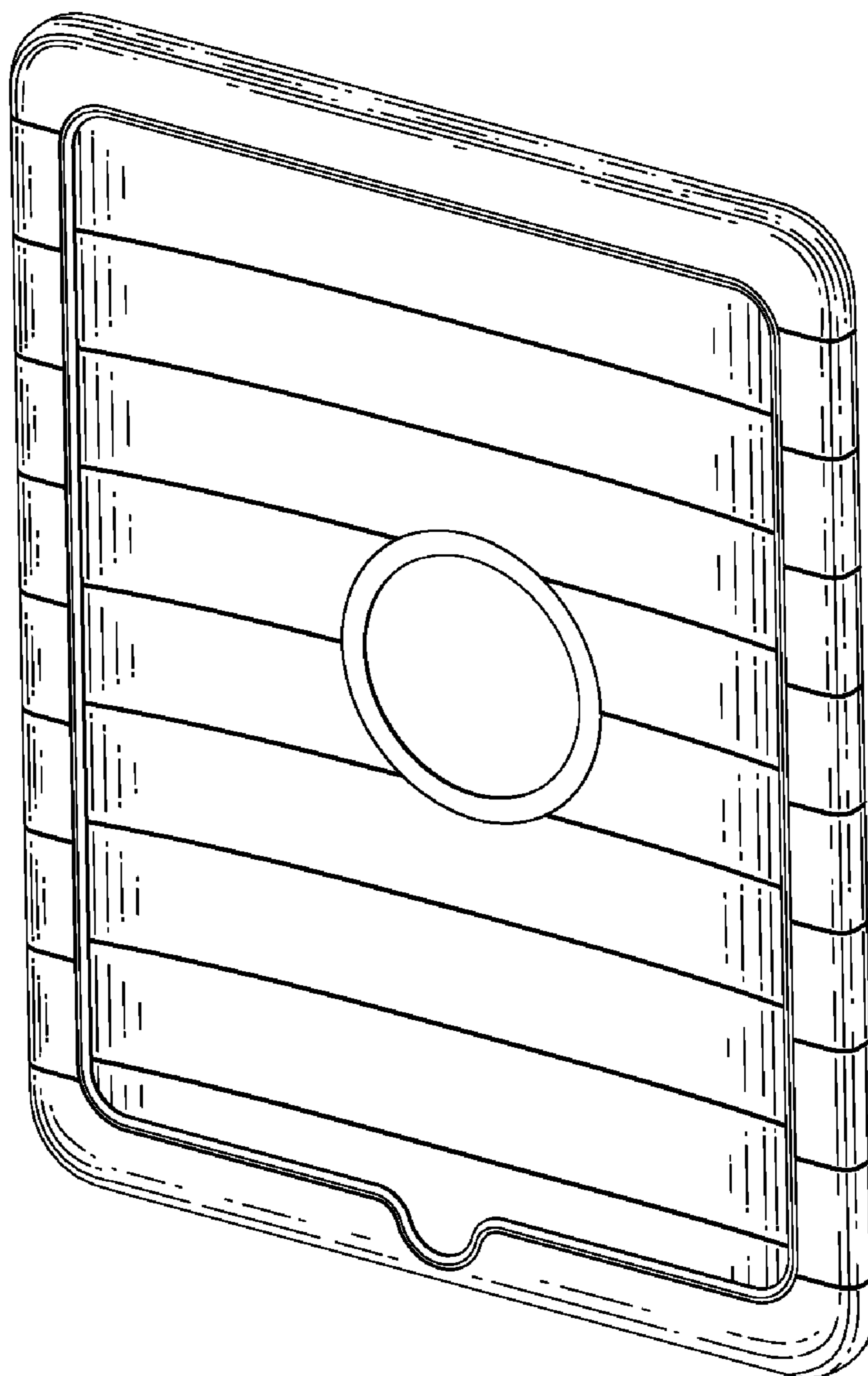


FIG. 1

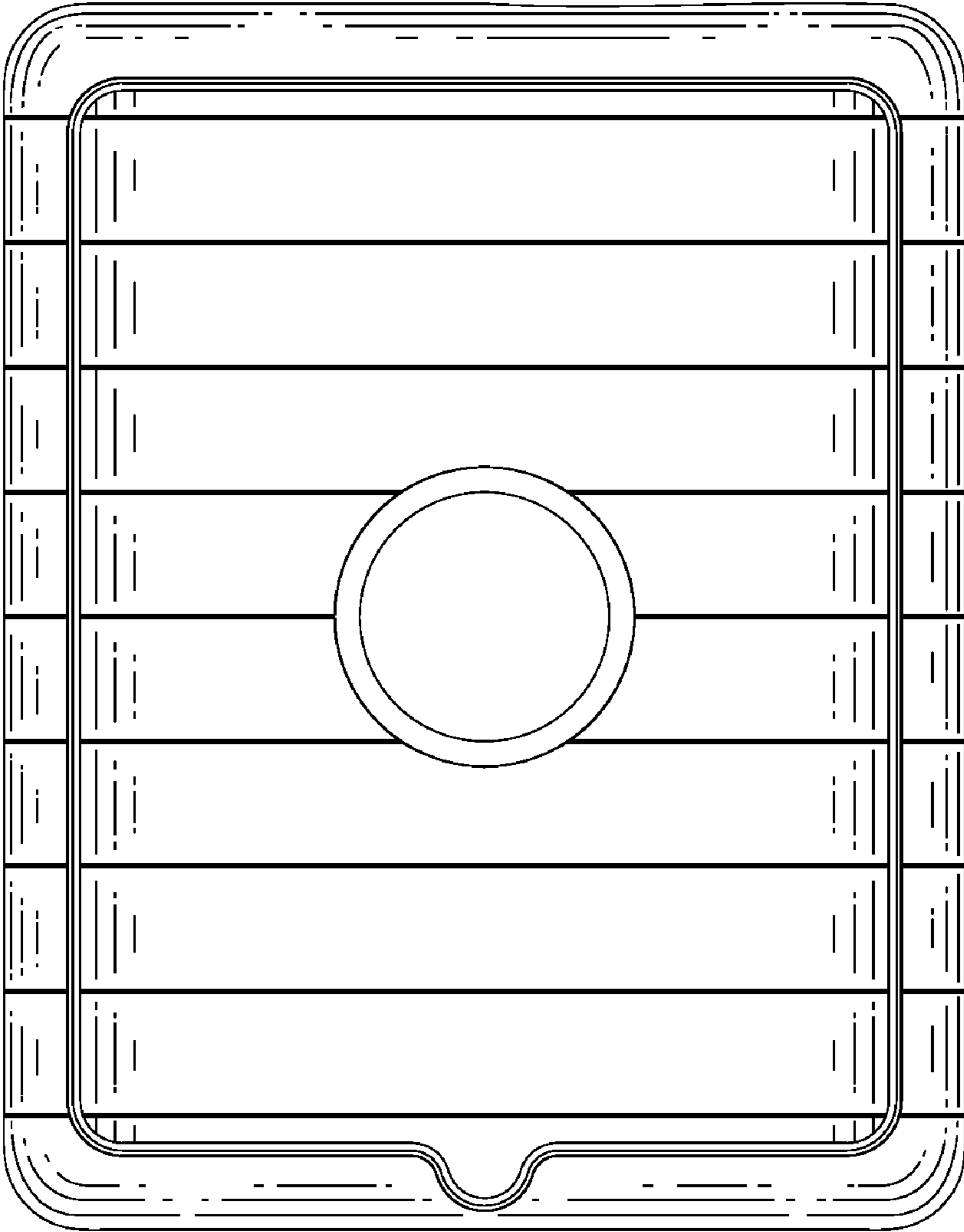


FIG. 2

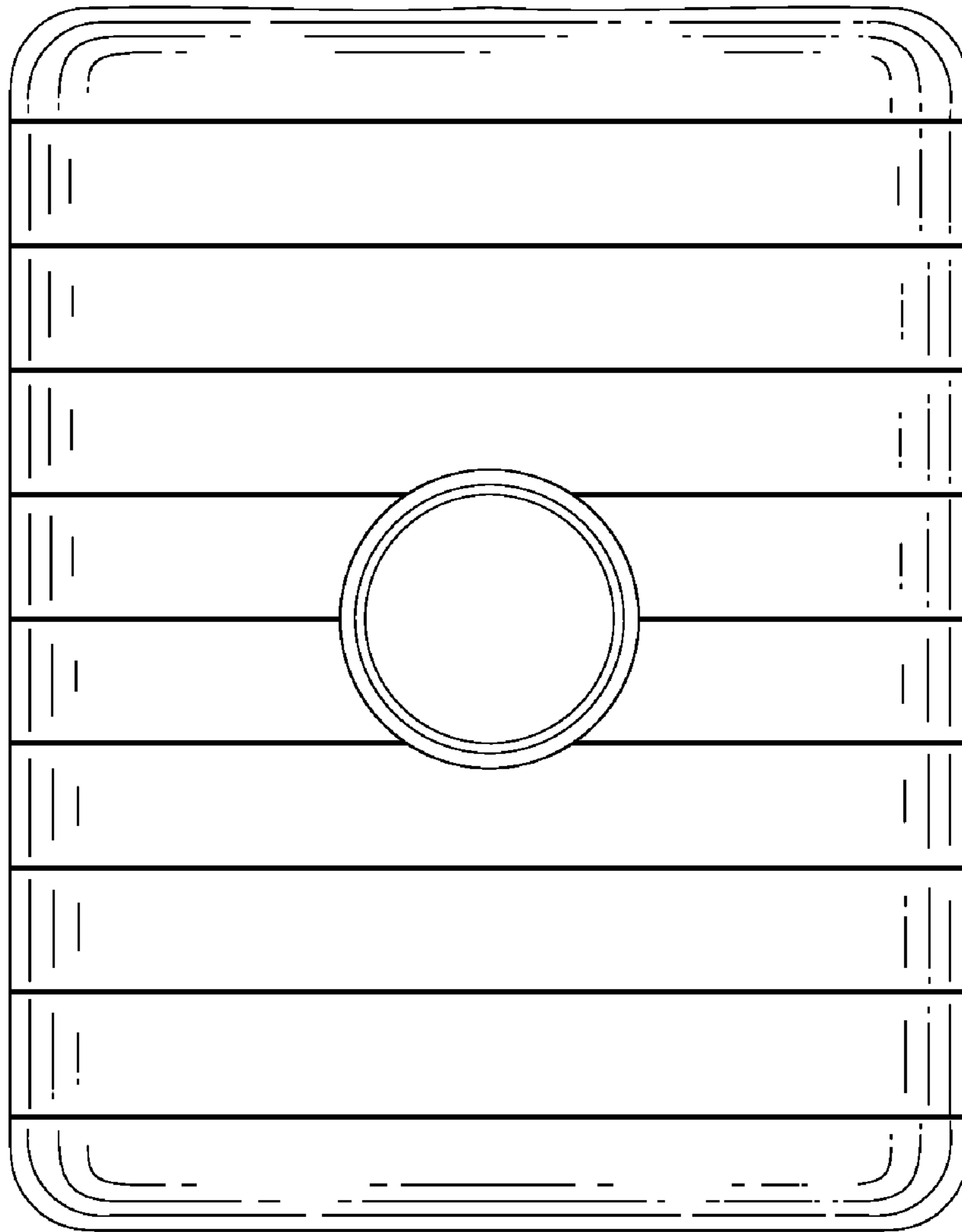


FIG. 3

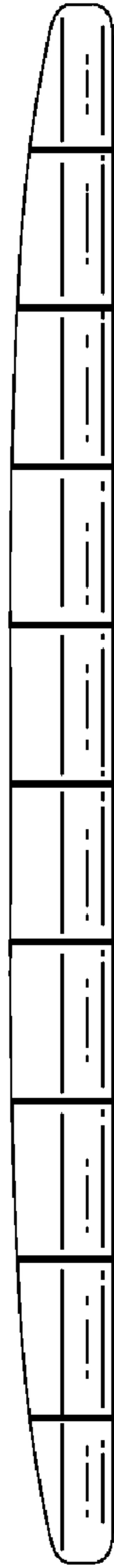


FIG. 4

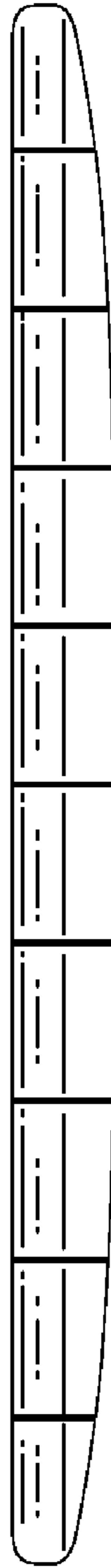


FIG. 5

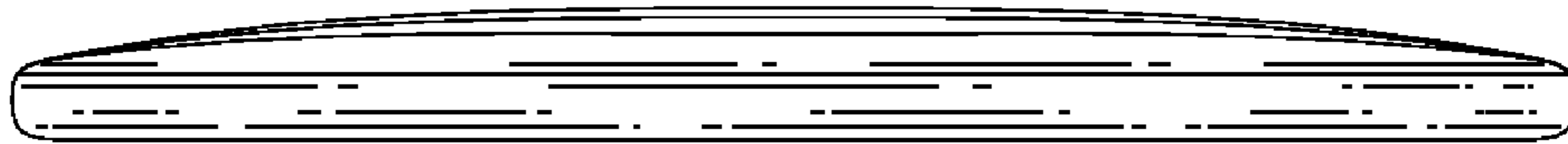


FIG. 6



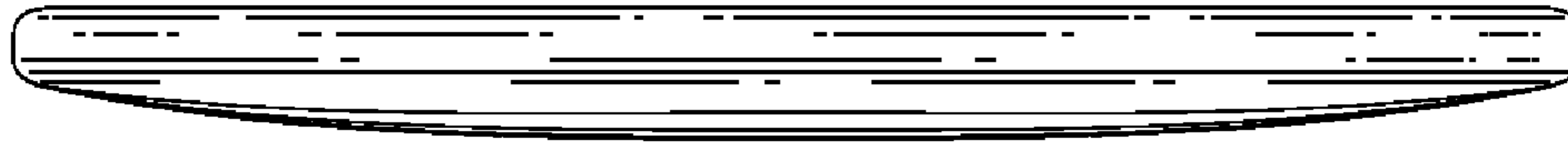


FIG. 7