

US00D641754S

(12) **United States Design Patent**
Camarena et al.

(10) **Patent No.:** **US D641,754 S**
(45) **Date of Patent:** **** Jul. 19, 2011**

(54) **HARD DISK DRIVE CASE**

D40,096 S 6/1909 Stratton
D42,202 S 2/1912 Forestier
D67,843 S 5/1925 Miller

(Continued)

(75) Inventors: **Manuel B Camarena**, Yorba Linda, CA (US); **Thomas O McGoldrick**, Laguna Hills, CA (US); **Maciej M Brzeski**, Mission Viejo, CA (US); **Yoshikazu Hoshino**, San Francisco, CA (US); **Brandon A Warren**, San Francisco, CA (US); **Jacqueline L Belleau**, San Francisco, CA (US)

FOREIGN PATENT DOCUMENTS

GB D1054572 4/1988

(Continued)

(73) Assignee: **Toshiba America Information Systems, Inc.**, Irvine, CA (US)

OTHER PUBLICATIONS

External Hard Drives—Toys and Gadgets | News | Reviews | Videos: Toshiba adds 400GB USB 2.0 Portable External Hard Drive, pp. 3-5 [online] posted on Sep. 27, 2008 [retrieved on Nov. 25, 2008]. Retrieved from the Internet <U RL: <http://www.toysgadget.com/gadgets-and-toys/external-hard-drives>>.

(Continued)

(**) Term: **14 Years**

Primary Examiner — Cathron Brooks
Assistant Examiner — Karen E Kearney
(74) *Attorney, Agent, or Firm* — Knobbe, Martens, Olson & Bear LLP

(21) Appl. No.: **29/377,622**

(22) Filed: **Oct. 22, 2010**

Related U.S. Application Data

(62) Division of application No. 29/358,345, filed on Mar. 25, 2010, now Pat. No. Des. 629,399.

(51) **LOC (9) Cl.** **14-02**

(52) **U.S. Cl.** **D14/356**

(58) **Field of Classification Search** D14/300–302, D14/314, 348–358, 432, 496, 125, 240, 242, D14/299; D18/56; D10/65, 75, 78; D13/149, D13/162, 184, 199; D3/201, 273; 361/679.31–679.45; D5/4, 55, 58, 60
See application file for complete search history.

(57) **CLAIM**

The ornamental design for a hard disk drive case, as shown and described.

DESCRIPTION

FIG. 1 is a perspective view of a hard disk drive case showing our new design.
FIG. 2 is a top plan view thereof.
FIG. 3 is a bottom plan view thereof.
FIG. 4 is a side elevational view thereof.
FIG. 5 is a front elevational view thereof, including an indication of an area to be depicted in closer view in FIG. 7.
FIG. 6 is a rear elevational view thereof; and,
FIG. 7 is a close up view of a portion of the view as shown in FIG. 5.

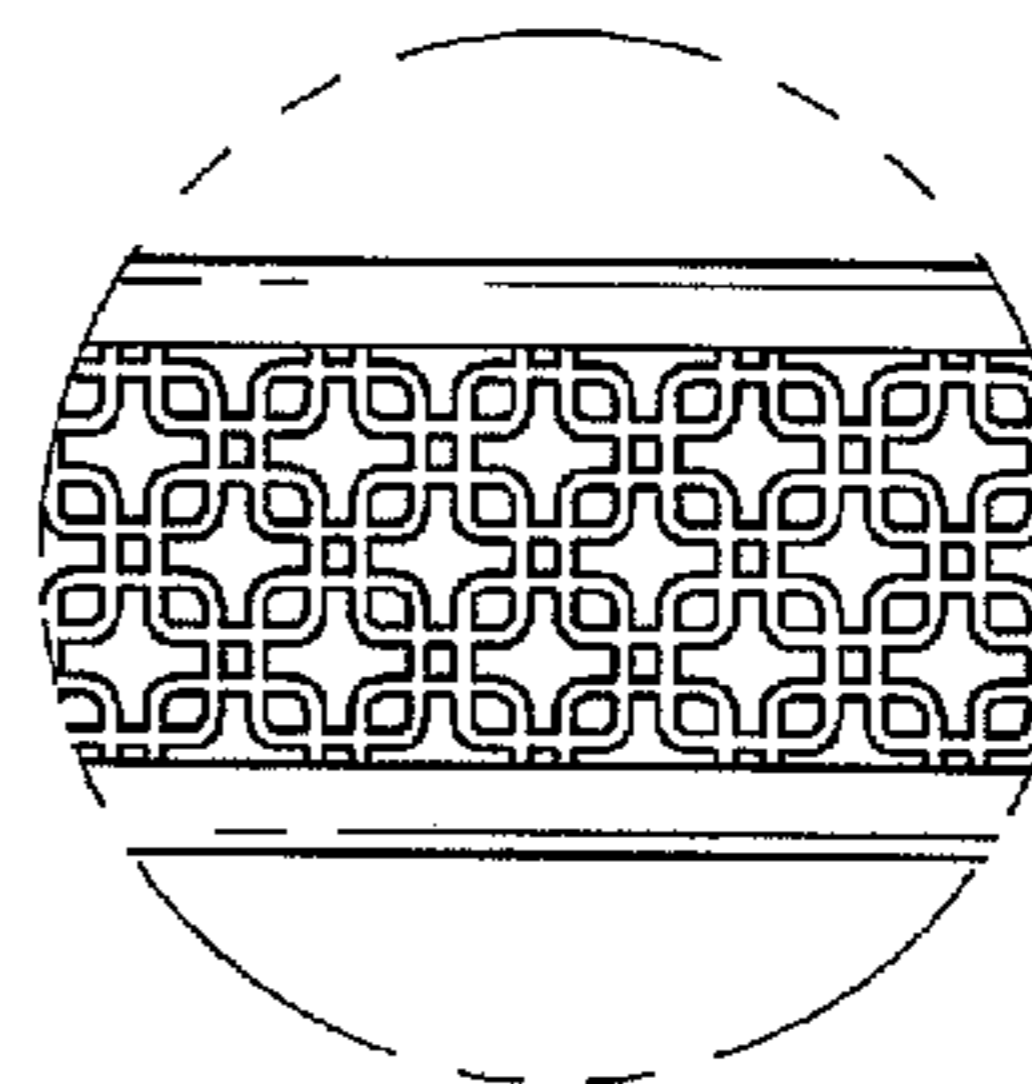
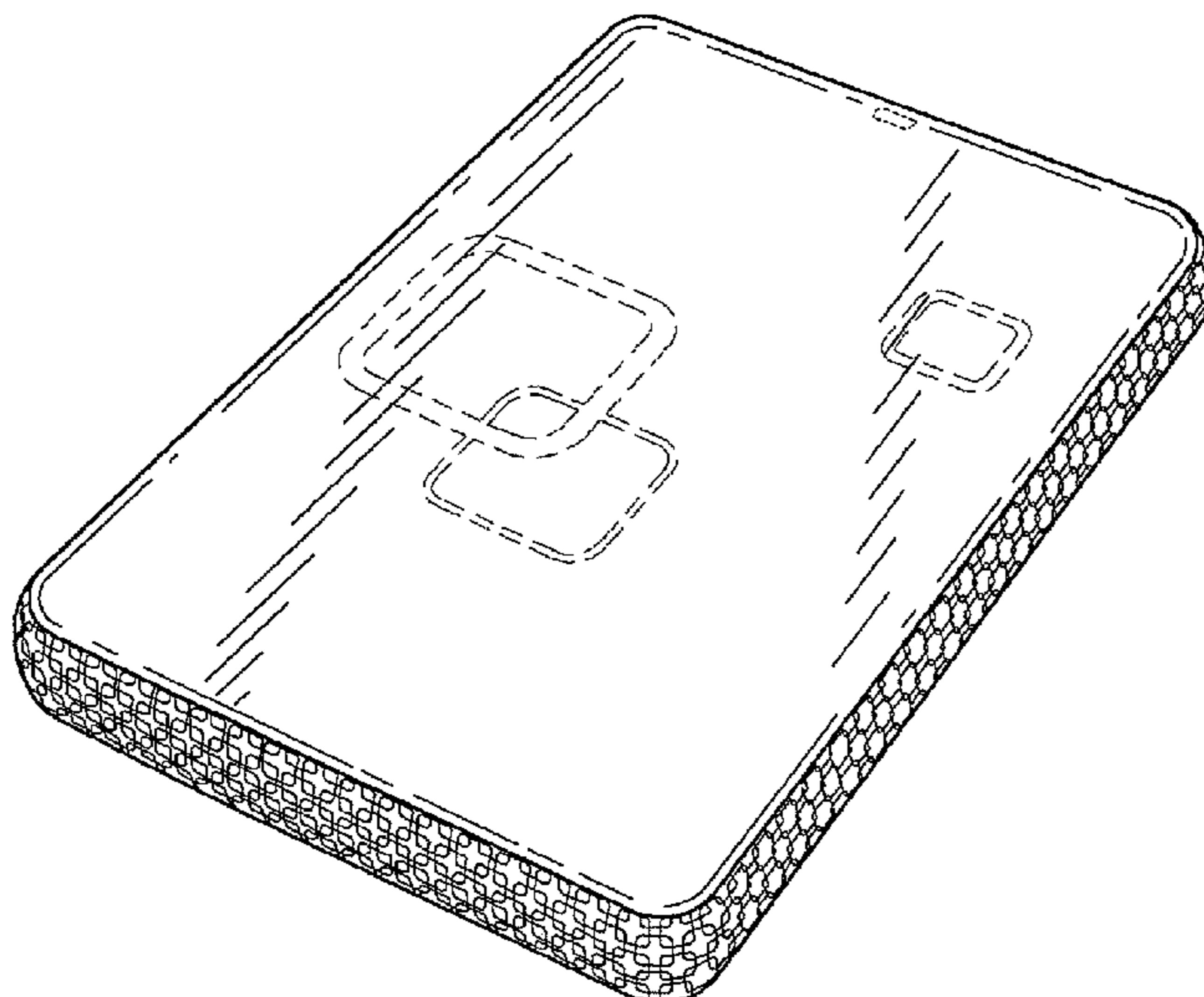
The broken lines shown are for the purpose of illustrating unclaimed portions of the hard disk drive case, and form no part of the claimed design.

1 Claim, 3 Drawing Sheets

(56) **References Cited**

U.S. PATENT DOCUMENTS

D2,119 S 7/1865 Thompson
D3,660 S 9/1869 Meyer
D7,904 S 11/1874 Meyer et al.
D7,980 S 1/1875 Meyer
D10,273 S 10/1877 Meyer et al.
319,306 A 6/1885 Palmer
D36,346 S 6/1903 Furness



U.S. PATENT DOCUMENTS

D75,571 S 6/1928 Lawrence et al.
D85,694 S 12/1931 Hicks
D94,666 S 2/1935 Dah
D121,272 S 7/1940 Cubert
2,941,930 A 6/1960 Mostovych et al.
D226,565 S 3/1973 Klepa
D229,037 S 11/1973 Funahashi
3,798,446 A 3/1974 Deaton
D236,989 S 9/1975 Holman
D237,742 S 11/1975 Miyamoto
D251,605 S 4/1979 Anderson
D297,518 S 9/1988 Yuen
D304,823 S 11/1989 Pfeifer et al.
D318,655 S 7/1991 Bowker et al.
D318,656 S 7/1991 Bowker et al.
D320,389 S 10/1991 Bowker et al.
D321,178 S 10/1991 Bowker et al.
D328,293 S 7/1992 Mak et al.
D331,227 S * 11/1992 Esslinger D14/355
D334,561 S 4/1993 Crater et al.
5,799,525 A 9/1998 Johnson et al.
D431,241 S * 9/2000 Armstrong et al. D14/348
D432,515 S 10/2000 Mishra et al.
D439,455 S 3/2001 Foster
D441,747 S 5/2001 Liu et al.
D462,953 S 9/2002 Jang
D477,824 S * 7/2003 Taniguchi D14/434
D484,497 S 12/2003 Alviar et al.
6,762,936 B1 7/2004 Chang
6,816,370 B2 11/2004 Searby et al.
D511,274 S 11/2005 Vovan
D511,343 S 11/2005 Solomon et al.
D512,059 S 11/2005 Zhang et al.
D513,617 S 1/2006 Tierney
6,992,885 B2 1/2006 Wang
D522,531 S * 6/2006 Solomon et al. D14/496
D525,968 S 8/2006 Peng et al.
D527,390 S 8/2006 Millar et al.
D530,325 S 10/2006 Kerila et al.
D536,674 S 2/2007 Millar et al.
D536,675 S 2/2007 Millar et al.
D537,816 S 3/2007 Maruyama
D539,260 S 3/2007 Caspi et al.
D541,274 S 4/2007 Wang
D545,818 S 7/2007 Hochendoner et al.
D546,346 S 7/2007 Miyamori et al.
D548,731 S * 8/2007 Liu et al. D14/240
D554,859 S 11/2007 Sides et al.
D556,211 S 11/2007 Howard
D558,792 S 1/2008 Chigira
D560,229 S 1/2008 Yagi
D560,230 S 1/2008 Yagi
D562,874 S 2/2008 Hashimoto et al.
D563,433 S 3/2008 Yu et al.
D582,903 S 12/2008 Martinez
D582,904 S 12/2008 Martinez
D583,796 S 12/2008 Tanaka
D584,738 S 1/2009 Kim et al.
D594,876 S * 6/2009 Hwang D14/496
D599,344 S 9/2009 Wang et al.
D599,753 S 9/2009 Cho et al.
D599,754 S 9/2009 Xie et al.
D600,454 S 9/2009 Della Valle
D601,123 S 9/2009 Andre et al.
D604,706 S 11/2009 Sato et al.
D606,531 S 12/2009 Ferrari et al.

D606,986 S 12/2009 de Jong et al.
D607,444 S 1/2010 Ferrari et al.
D607,445 S 1/2010 Ferrari et al.
D612,868 S 3/2010 Morabito
D629,399 S * 12/2010 Camarena et al. D14/356
D630,193 S * 1/2011 Bennett D14/226
2004/0032707 A1 * 2/2004 Chen 361/679
2004/0032711 A1 2/2004 Kaczeus et al.
2004/0149142 A1 8/2004 Groll
2009/0009953 A1 1/2009 Lin
2009/0316350 A1 12/2009 Hu

FOREIGN PATENT DOCUMENTS

GB D2010427 4/1990
GB D2088886 8/1999
GB D2094633 2/2000
GB D2099503 8/2000
GB D2099502 9/2000
GB D3019719 12/2004
GB D3022646 9/2005
GB D3022647 9/2005

OTHER PUBLICATIONS

The Gizmos>> BluOynx: BluOynx Mobile Content Server, pp. 1-2 [online] posted on Dec. 17, 2006 [retrieved on May 8, 2007]. Retrieved from the Internet <URL: <http://www.thegizmos.com/gadgets/bluoynx/>>.
"Mapower MAP-KC21ES Aluminum 2.5" USB 2.0+1394Bx2 External Enclosure—Retail," <URL: <http://www.newegg.com/Product/Product.aspx?Item=N82E16817387032> (12 of 21)> Mar. 26, 2010 3:50:13 PM.
"Transcend TSOGSJ25S-S 2.5" Silver USB 2.0 External Enclosure—Retail," <URL: <http://www.newegg.com/Product/Product.aspx?Item=N82E16817349001> (12 of 17)> Mar. 29, 2010 2:47:22 PM.
"CP Technologies Platinum Series CP-U2H-3H 3.5" USB 2.0 External Enclosure—Retail," <URL: <http://www.newegg.com/Product/Product.aspx?Item=N82E16817186203> (11 of 17)> Mar. 26, 2010 3:48:43 PM.
"Kingwin KH-201U-BK Aluminum alloy 2.5" Black USB 2.0 External Enclosure—Retail," <URL: <http://www.newegg.com/Product/Product.aspx?Item=N82E16817121063> (11 of 17)> Mar. 26, 2010 3:51:45 PM.
"AZiO ENC311SU31 Aluminum 3.5" USB2.0 & eSATA External Enclosure—Retail," <URL: <http://www.newegg.com/Product/Product.aspx?Item=N82E16817106098> (12 of 24)> Mar. 26, 2010 3:52:37 PM.
"Hitachi LifeStudio 320GB USB 2.0 White Portable External Hard Drive HLSMBUA3201AFB (0S02706)," <http://www.newegg.com/Product/Product.aspx?Item=N82E16822145355>, Oct. 7, 2010.
"Hitachi LiftStudio 2TB USB 2.0 Black External Hard Drive HLSDBUB20001BBB (0S02666)," <http://www.newegg.com/Product/Product.aspx?Item=N82E16822145348>, Oct. 7, 2010.
"A-DATA Superior Series 320GB USB 2.0 Black Portable Hard Drive ASH02-320GU-CBK," <http://www.newegg.com/Product/Product.aspx?Item=N82E16822211042>, Oct. 7, 2010.
Search Report, National Patent Services issued on Mar. 29, 2010 in the corresponding U.S. Appl. No. 29/358,345.
Search Report, National Patent Services issued on Oct. 6, 2010 in the U.S. Appl. No. 29/375,795.
Notice of Allowance mailed by the Office on Jul. 23, 2010 in the corresponding U.S. Appl. No. 29/358,345.

* cited by examiner

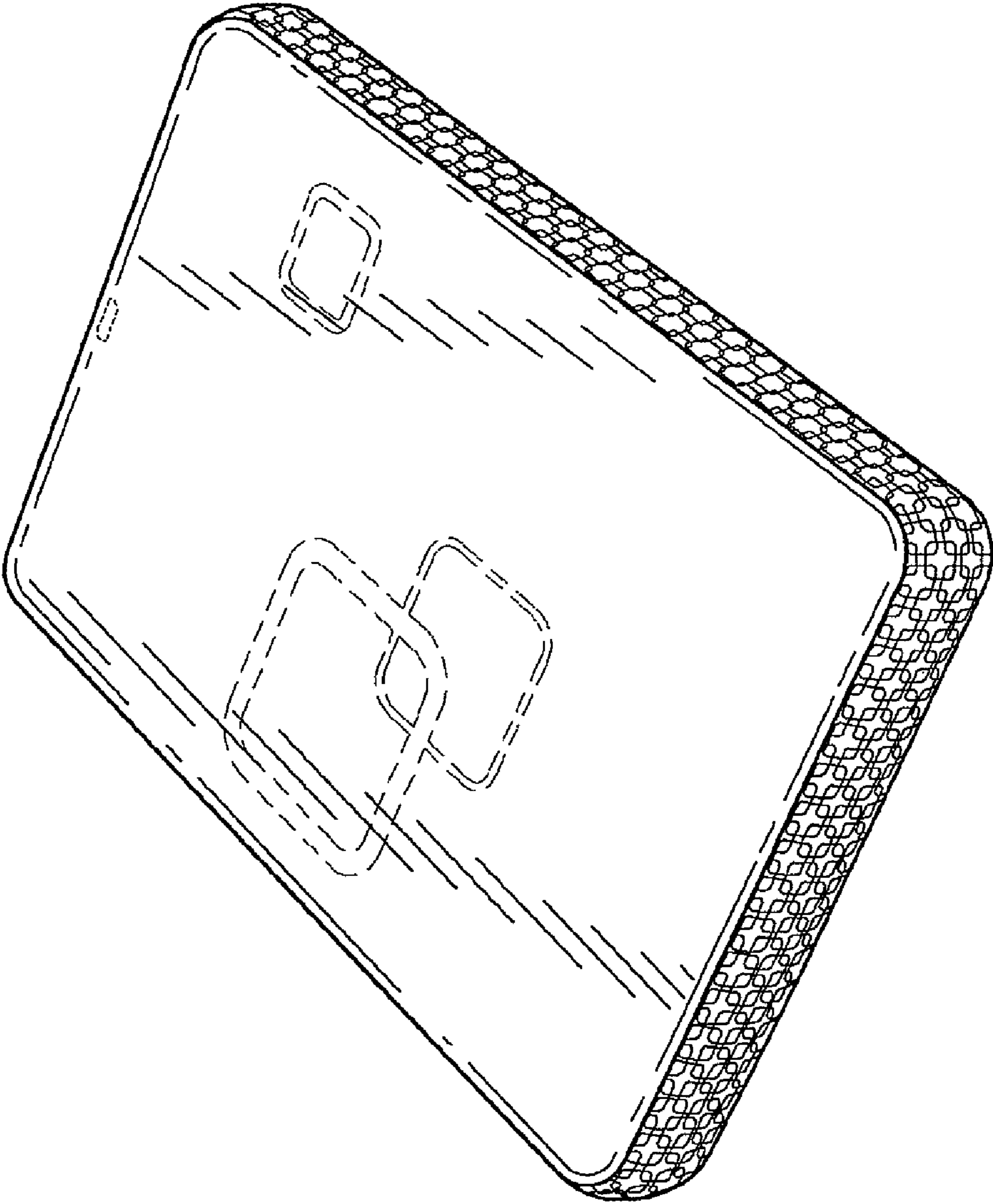


FIG. 1

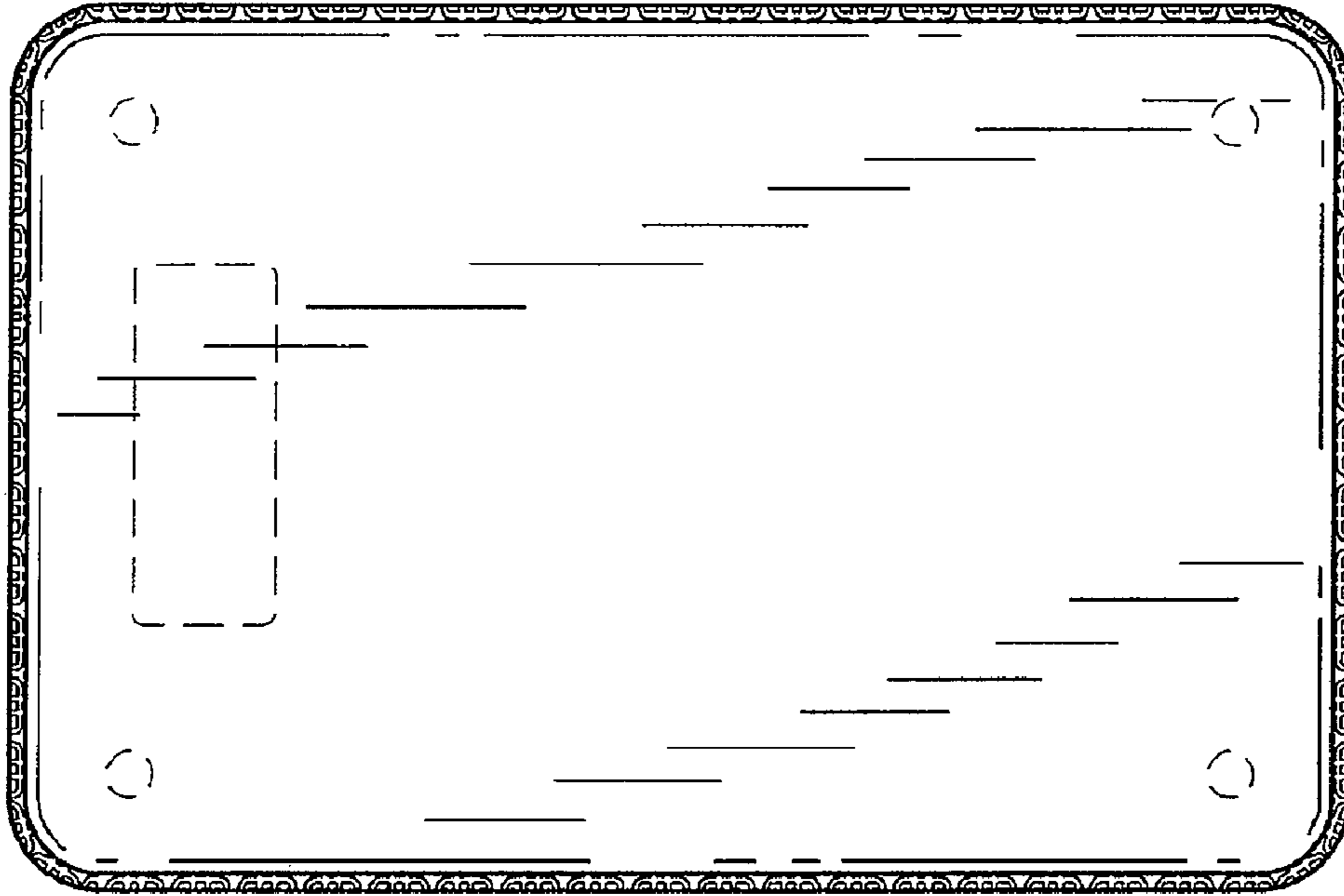


FIG. 2

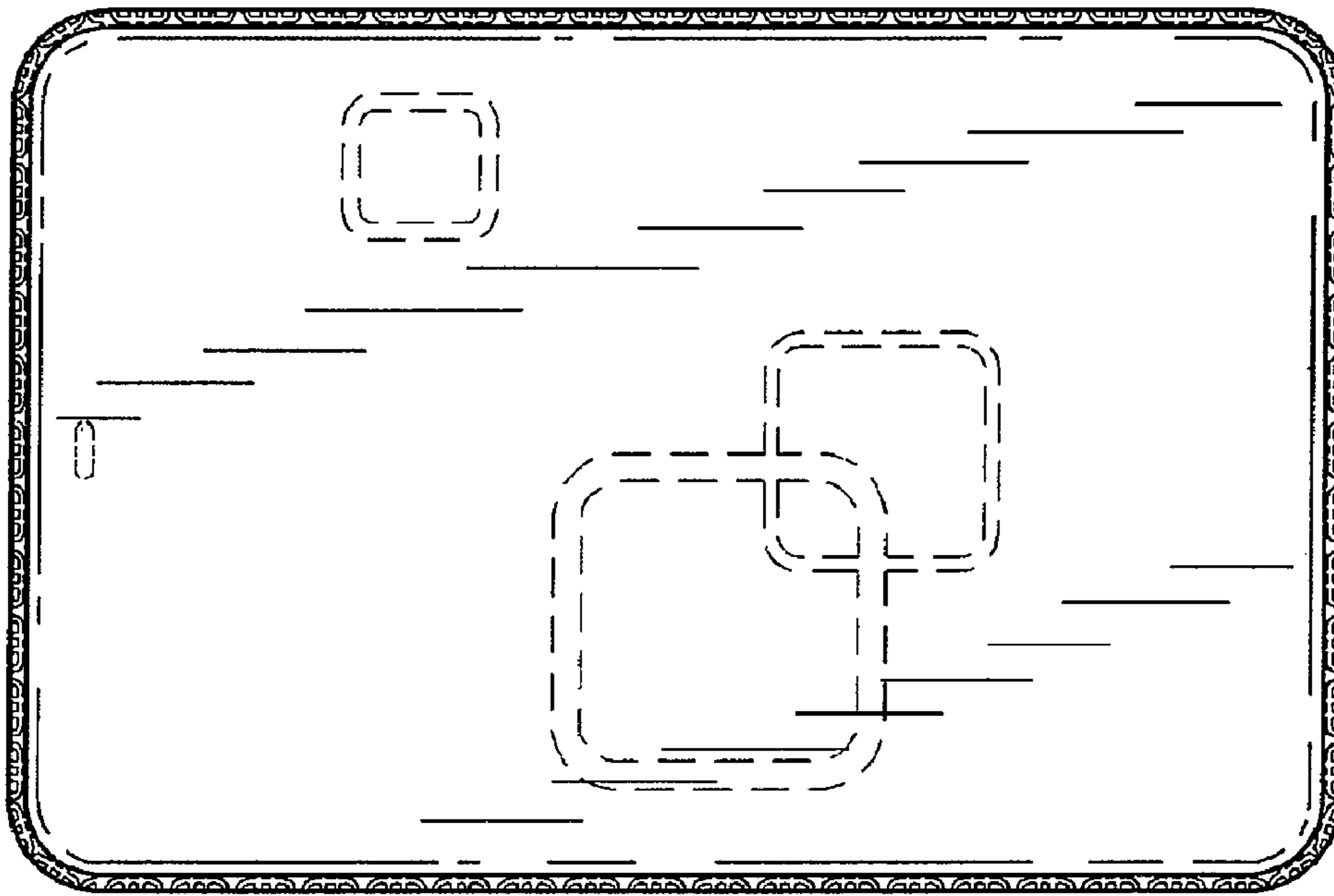


FIG. 3

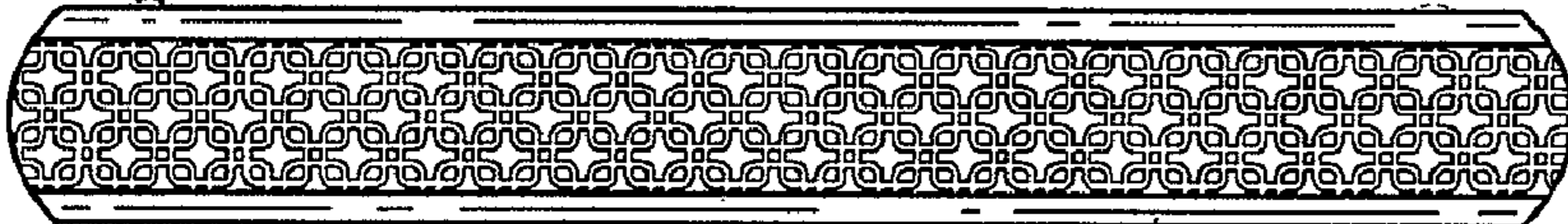


FIG. 4

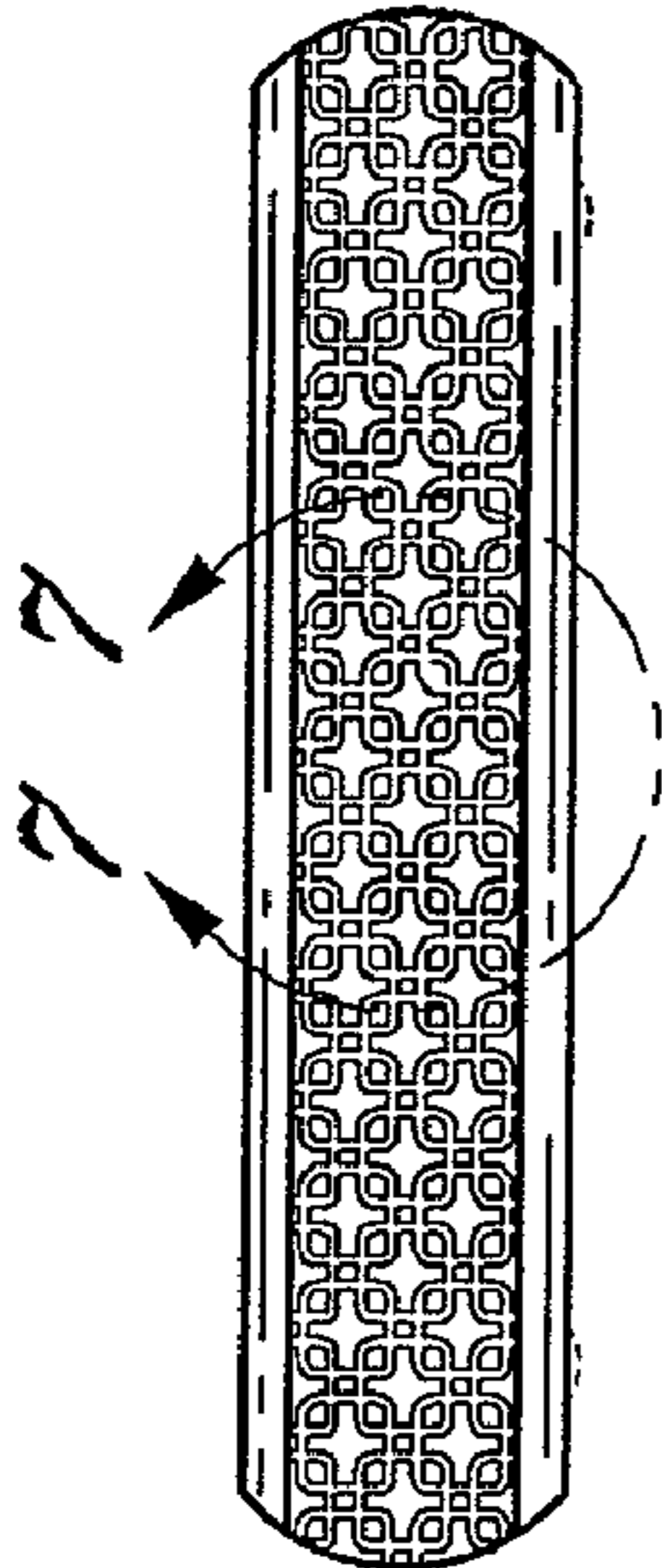


FIG. 5

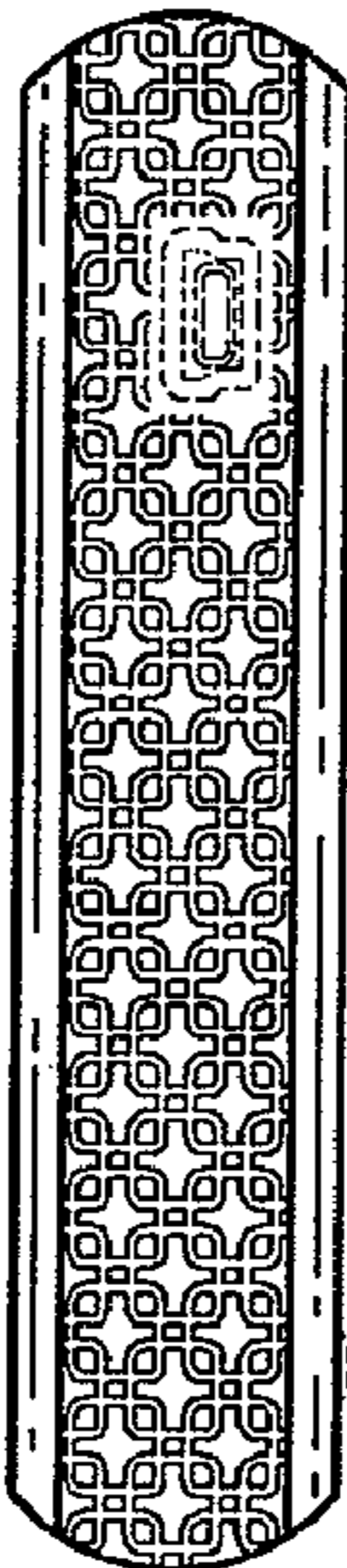


FIG. 6

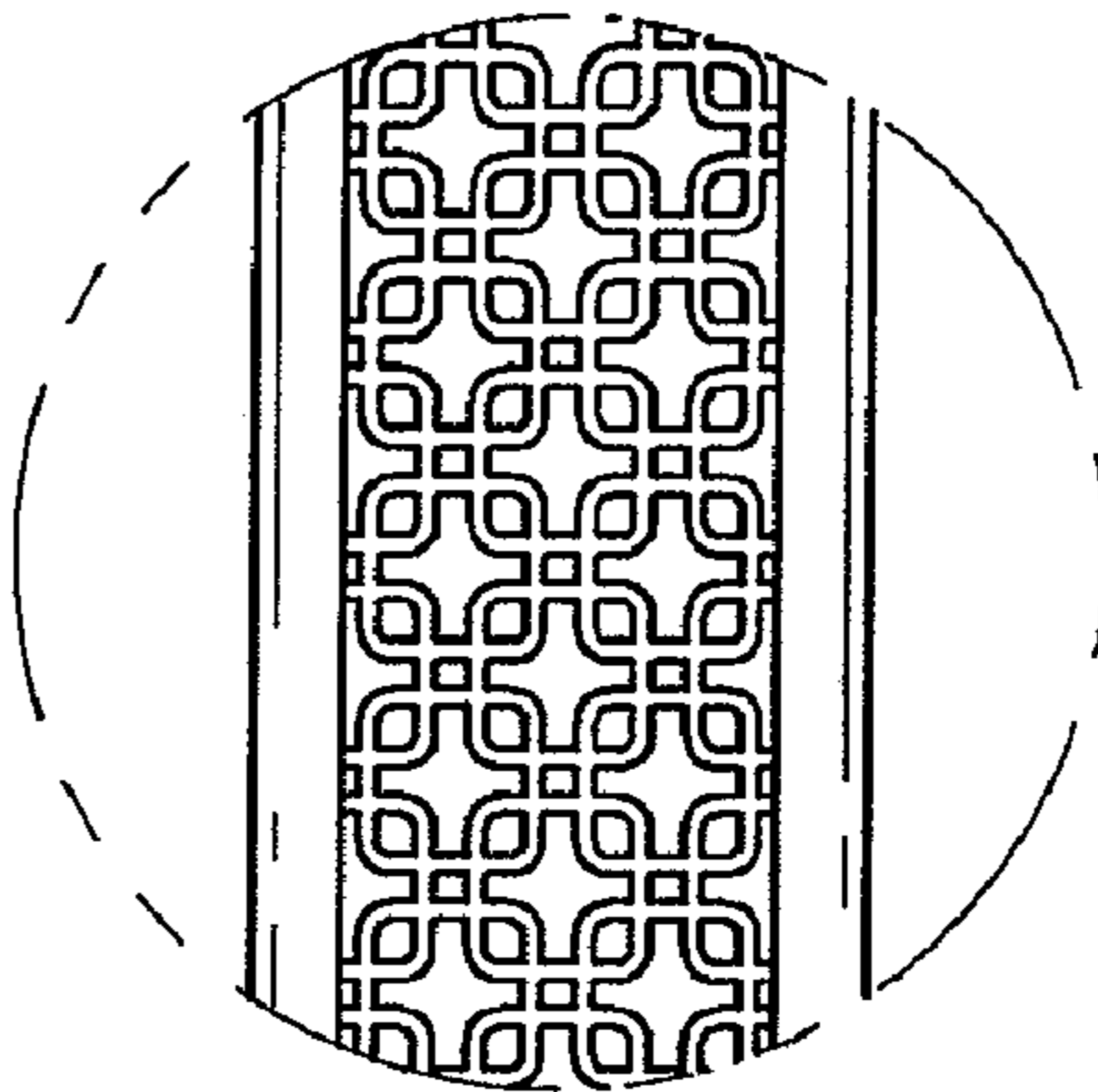


FIG. 7