

US00D641753S

(12) **United States Design Patent**  
**Obata**

(10) **Patent No.:** **US D641,753 S**

(45) **Date of Patent:** **\*\* Jul. 19, 2011**

(54) **DATA STORAGE DEVICE**

(75) Inventor: **Shinya Obata**, Nagoya (JP)

(73) Assignee: **Buffalo Inc.** (JP)

(\*\*) Term: **14 Years**

(21) Appl. No.: **29/323,852**

(22) Filed: **Sep. 2, 2008**

(30) **Foreign Application Priority Data**

Mar. 3, 2008 (JP) ..... 2008-005036

(51) **LOC (9) Cl.** ..... **14-02**

(52) **U.S. Cl.** ..... **D14/356**

(58) **Field of Classification Search** ..... D14/300-302,  
D14/314, 348-358, 432, 496, 125, 240, 242,  
D14/299; 361/679.31-679.45; D3/201,  
D3/273; D18/56; D10/65, 75, 78; D13/103,  
D13/149, 162, 184, 199

See application file for complete search history.

(56) **References Cited**

**U.S. PATENT DOCUMENTS**

D322,963 S *	1/1992	Kittirutsunetorn	.....	D14/242
D360,405 S *	7/1995	Hill et al.	.....	D14/351
D396,706 S *	8/1998	Rao	.....	D14/433
D415,123 S *	10/1999	Murphy	.....	D14/311
D417,453 S *	12/1999	Du	.....	D14/242
6,183,274 B1 *	2/2001	Allum	.....	439/135
D463,393 S *	9/2002	Kataoka	.....	D14/167
D470,848 S *	2/2003	Morooka	.....	D14/433
D490,426 S *	5/2004	Wu	.....	D14/368
D494,562 S *	8/2004	Lee	.....	D14/203.3
D510,734 S *	10/2005	Christianson	.....	D14/155
D513,750 S *	1/2006	Ko et al.	.....	D14/365
D514,563 S *	2/2006	Kuramashi et al.	.....	D14/358
D528,548 S *	9/2006	Tang	.....	D14/435
D530,709 S *	10/2006	Bang et al.	.....	D14/240
D533,148 S *	12/2006	Hong	.....	D14/125
D535,650 S *	1/2007	Wong et al.	.....	D14/240
D535,651 S *	1/2007	Wong et al.	.....	D14/240
D536,703 S *	2/2007	Kim	.....	D14/203.7

D538,795 S *	3/2007	Wong et al.	.....	D14/240
D540,774 S *	4/2007	Alwicker et al.	.....	D14/155
D542,289 S *	5/2007	Diebel	.....	D14/356
D545,311 S *	6/2007	Wai	.....	D14/480.7
D545,818 S *	7/2007	Hochendoner et al.	.....	D14/358
D548,230 S *	8/2007	Lipman	.....	D14/240
D549,697 S *	8/2007	Jeon et al.	.....	D14/240
D549,698 S *	8/2007	Jeon et al.	.....	D14/240
D557,279 S *	12/2007	Kim	.....	D14/496
D559,249 S *	1/2008	Takei	.....	D14/480.6
D566,668 S *	4/2008	Whittaker et al.	.....	D14/125
D566,710 S *	4/2008	Chun et al.	.....	D14/358

(Continued)

**OTHER PUBLICATIONS**

3.5" Hard Disk Player (OTG), Web Archive [online] Dec. 13, 2006 [retrieved on Dec. 13, 2006]. Retrieved from the Internet <URL: [http://web.archive.org/web/20061213155301/http://foryougroup.en.alibaba.com...8919/50221727/3\\_5\\_Hard\\_Disk\\_Player/3\\_5\\_Hard\\_Disk\\_Player\\_OTG\\_/showimg.html](http://web.archive.org/web/20061213155301/http://foryougroup.en.alibaba.com...8919/50221727/3_5_Hard_Disk_Player/3_5_Hard_Disk_Player_OTG_/showimg.html)>.\*

(Continued)

*Primary Examiner* — Cathron Brooks

*Assistant Examiner* — Karen E Kearney

(74) *Attorney, Agent, or Firm* — SAIDMAN DesignLaw Group

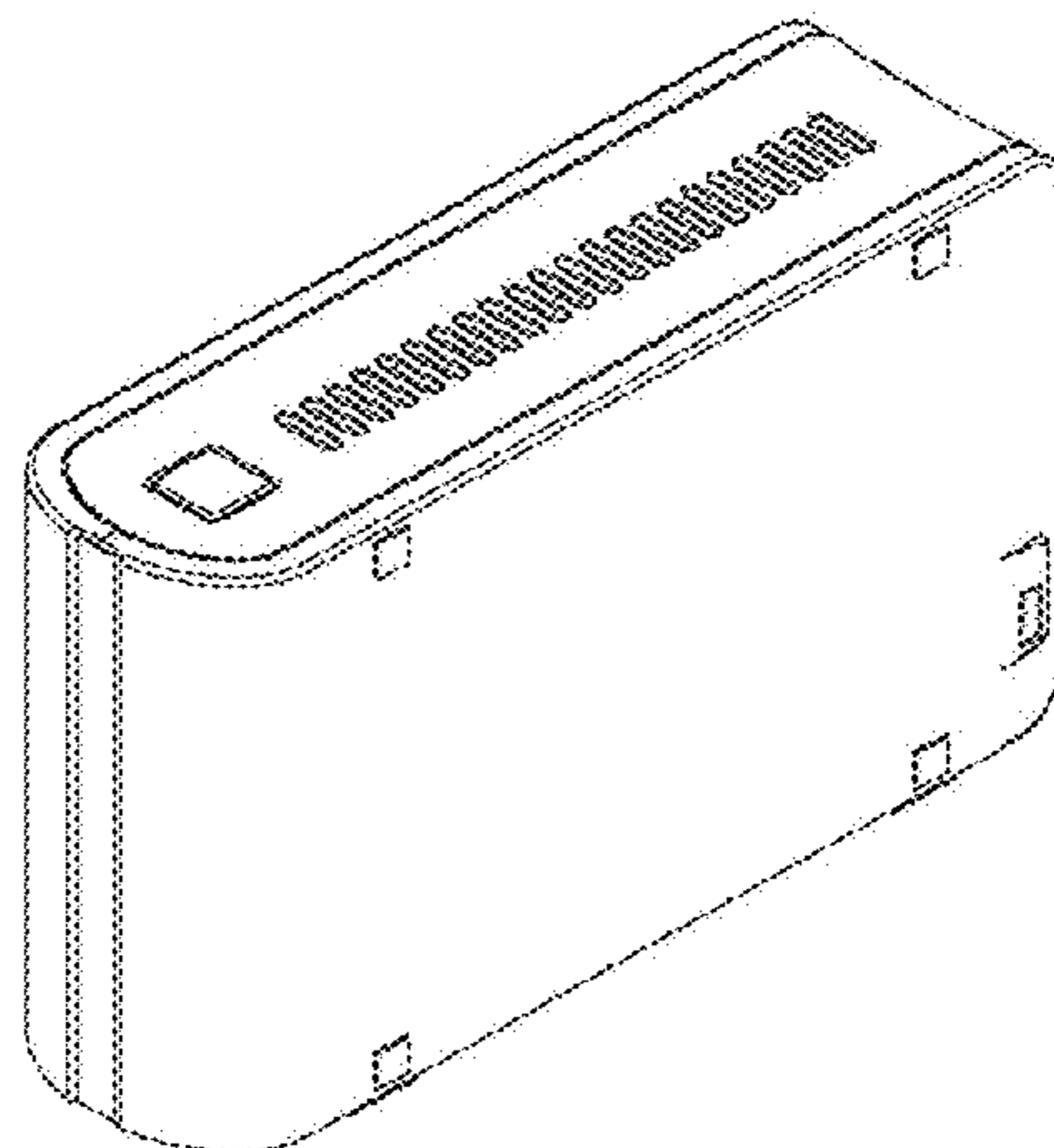
(57) **CLAIM**

The ornamental design for a data storage device, as shown and described.

**DESCRIPTION**

FIG. 1 is a front perspective view of a data storage device showing my new design;  
FIG. 2 is a rear perspective view thereof;  
FIG. 3 is a front view thereof;  
FIG. 4 is a rear view thereof;  
FIG. 5 is a left-side view thereof;  
FIG. 6 is a right-side view thereof;  
FIG. 7 is a top view thereof; and,  
FIG. 8 is a bottom view thereof.

**1 Claim, 4 Drawing Sheets**



U.S. PATENT DOCUMENTS

D568,276	S *	5/2008	Ikeda et al. ....	D14/365
D586,339	S *	2/2009	Varsavsky Waisman-Diamond .....	D14/240
D590,392	S *	4/2009	Wang .....	D14/356
D593,066	S *	5/2009	Sheba et al. ....	D14/203.1
D606,549	S *	12/2009	He .....	D14/480.7
D618,239	S *	6/2010	Chen et al. ....	D14/356
7,768,776	B1 *	8/2010	Szeremeta et al. ....	361/679.33
D625,308	S *	10/2010	Chen et al. ....	D14/356
D625,722	S *	10/2010	Park .....	D14/365
D627,069	S *	11/2010	Mehlsen et al. ....	D24/174
D628,571	S *	12/2010	Wang .....	D14/356
2009/0197442	A1 *	8/2009	Wei et al. ....	439/131

OTHER PUBLICATIONS

CustomUSB.com—Custom USB—Custom USB MP3 Player—SwapSD MP3 Player—Customized Flash Drive Solutions—Promotional USB Flash Drives, Web Archive [online] Sep. 4, 2006 [retrieved on Dec. 13, 2006]. Retrieved from the Internet <URL: <http://web.archive.org/web/20060904010944/http://www.customusb.com/products-mp3player-swapsd.html>>.\*

DataStor Technology Co. Ltd @ Global Sources Online—Supplier Homepage, [online], [retrieved on Nov. 14, 2006]. Retrieved from the Internet <URL: [http://datastor.manufacturer.globalsources.com/si/6008800307...Compact-Case-for-product\\_\\_id-1002430429/action-GetProduct.htm](http://datastor.manufacturer.globalsources.com/si/6008800307...Compact-Case-for-product__id-1002430429/action-GetProduct.htm)>.\*

Front—Hitch USB Transfer Device, [online], [retrieved on Nov. 14, 2006]. Retrieved from the Internet <URL: <http://www.simaproducts.com/display.php?image=hitch.jpg&title=Front/%20-%20Hitch%20USB%20Transfer%20Device>>.\*

Western Digital My Book™: Photos, [online], [retrieved on Nov. 14, 2006]. Retrieved from the Internet <URL: <http://www.wdmybook.com/en/photos/>>.\*

Sony Ericsson—Products—Accessories—Overview—IM920, [online], [retrieved on Nov. 10, 2009]. Retrieved from the Internet <URL: <http://www.sonyericsson.com/cws/products/accessories/overview/im920?undefined>>.\*

XBOX 360, [online], [retrieved on Jan. 3, 2008]. Retrieved from the Internet <URL: [http://www.xl100.co.uk/e107\\_images/newspost\\_images/xbox-360-hd-dvd-player.jpg](http://www.xl100.co.uk/e107_images/newspost_images/xbox-360-hd-dvd-player.jpg)>.\*

\* cited by examiner

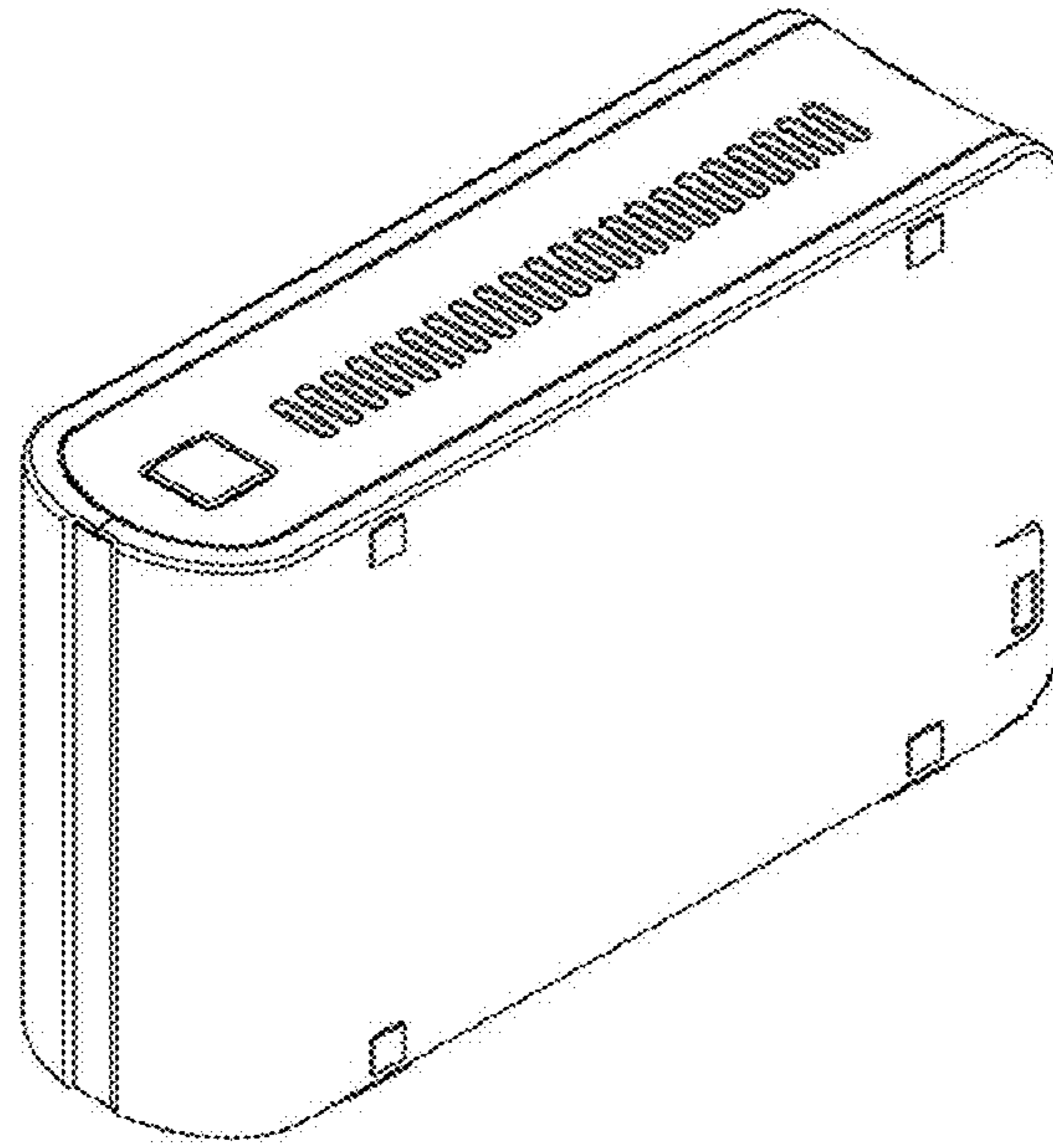


Fig. 1

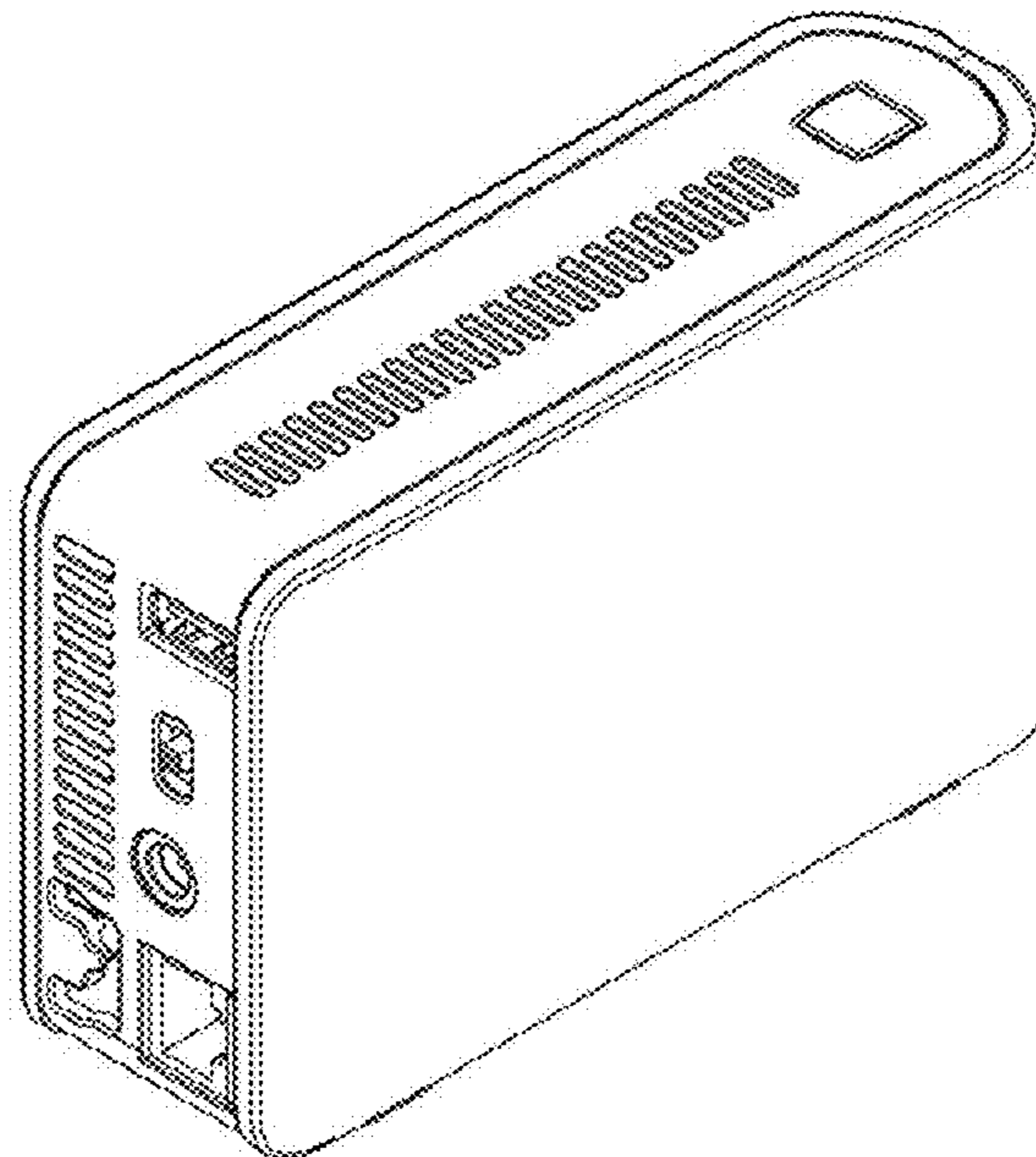


Fig. 2

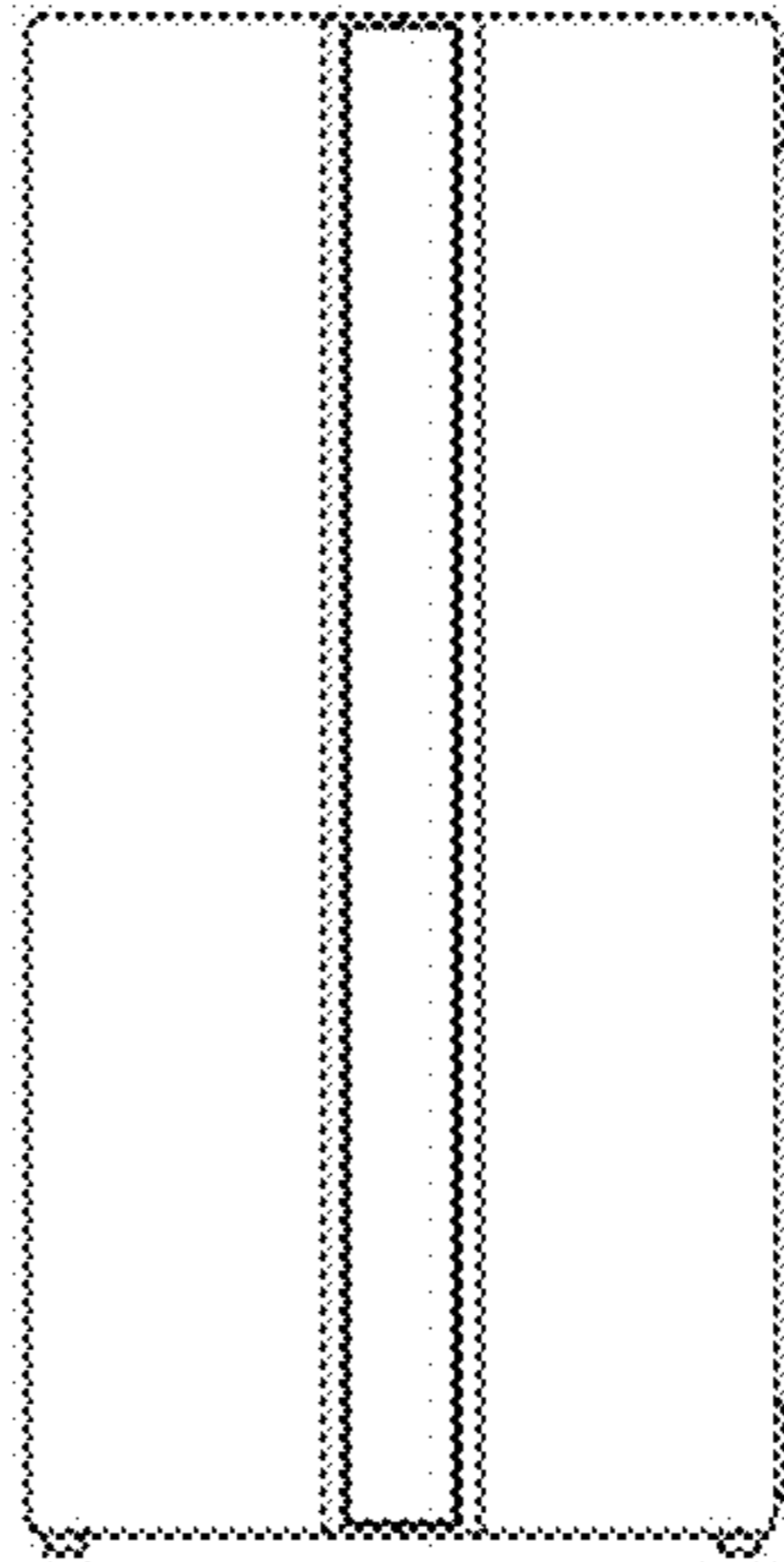


Fig. 3

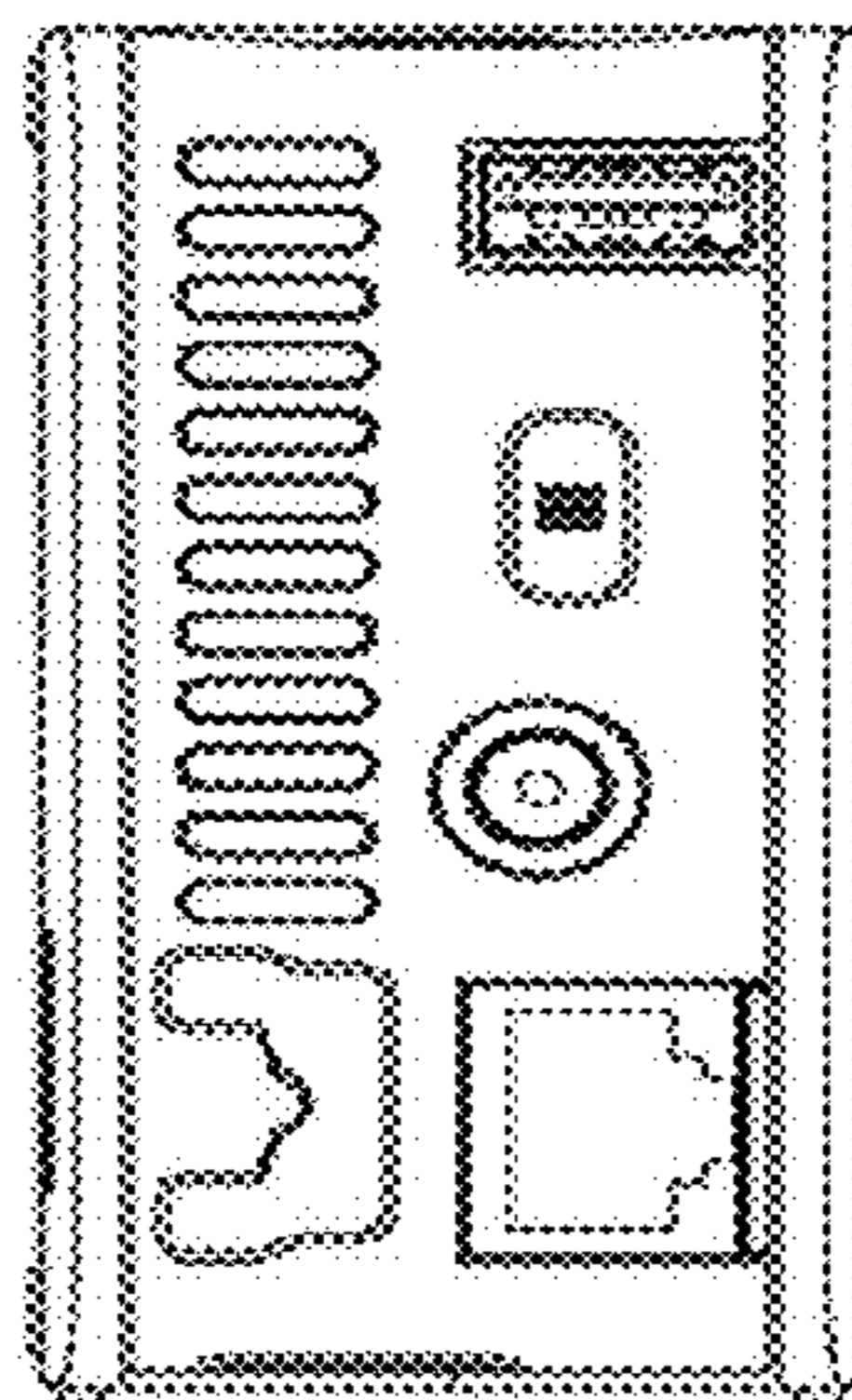


Fig. 4

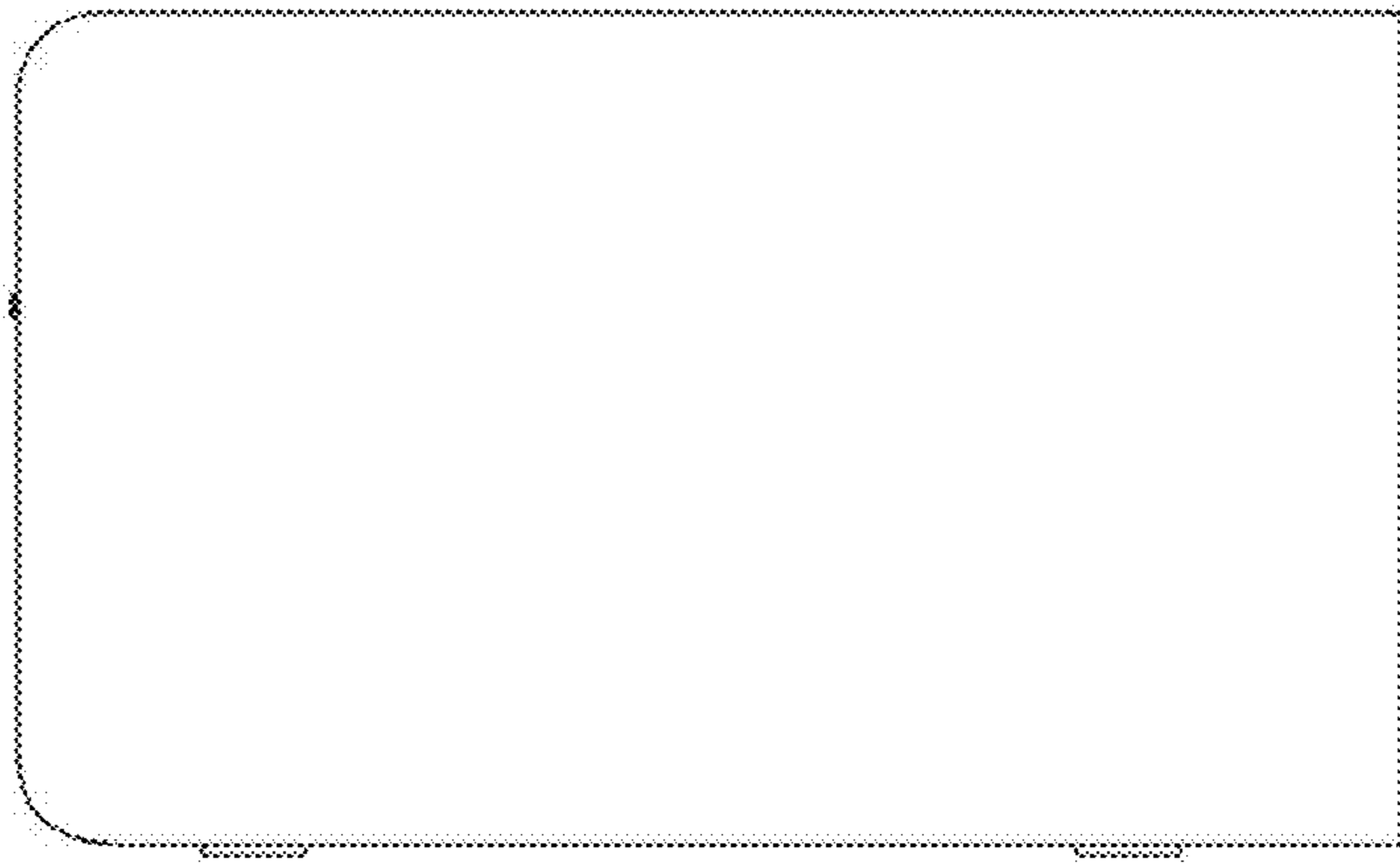


Fig. 5

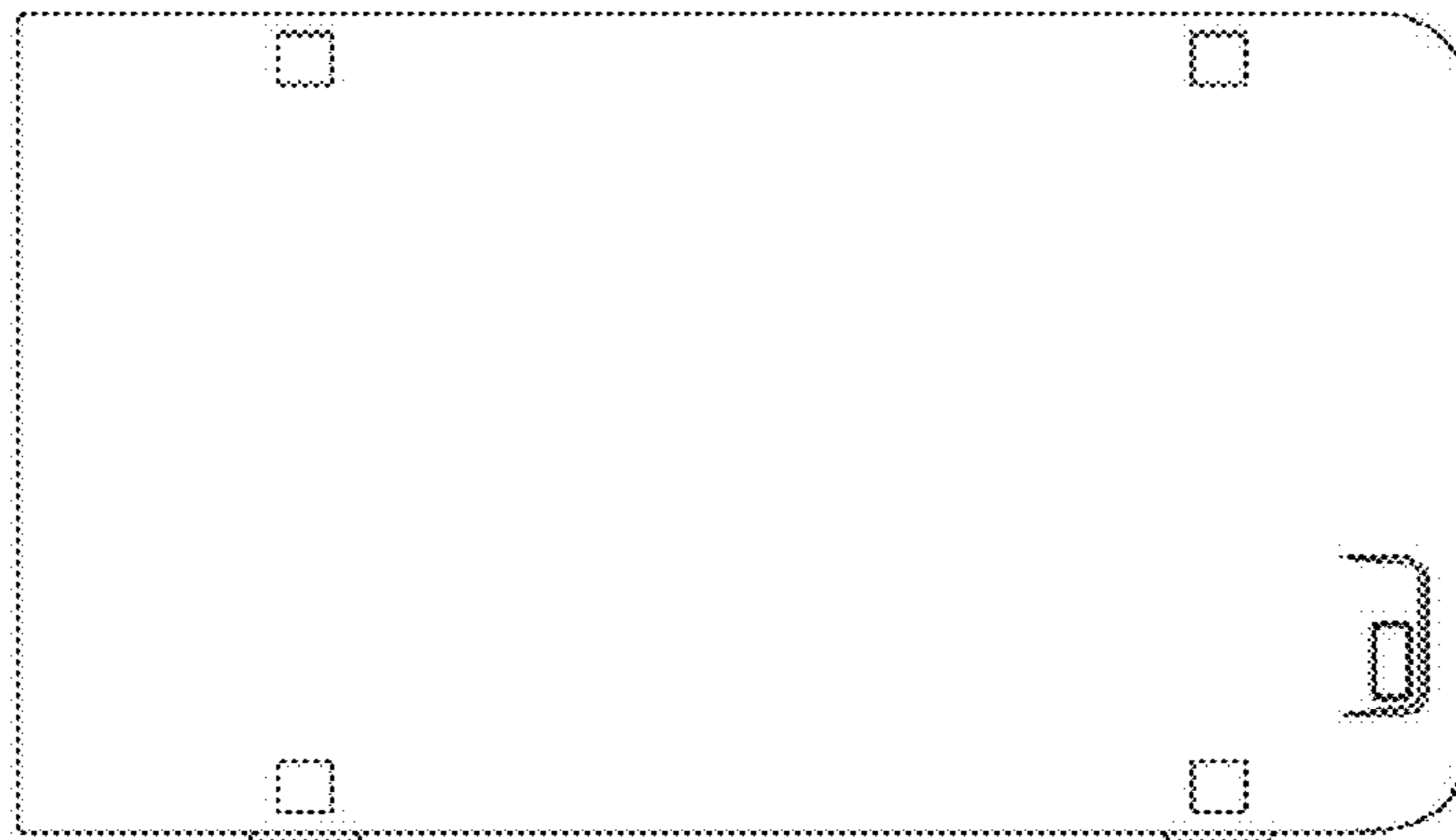


Fig. 6

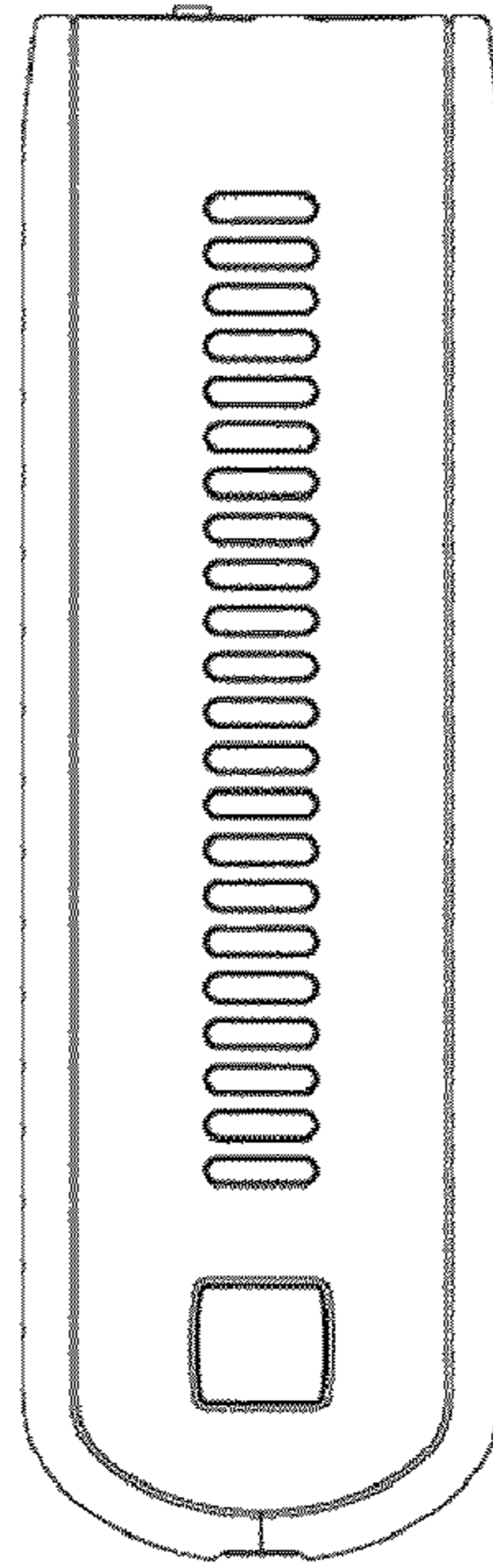


Fig. 7

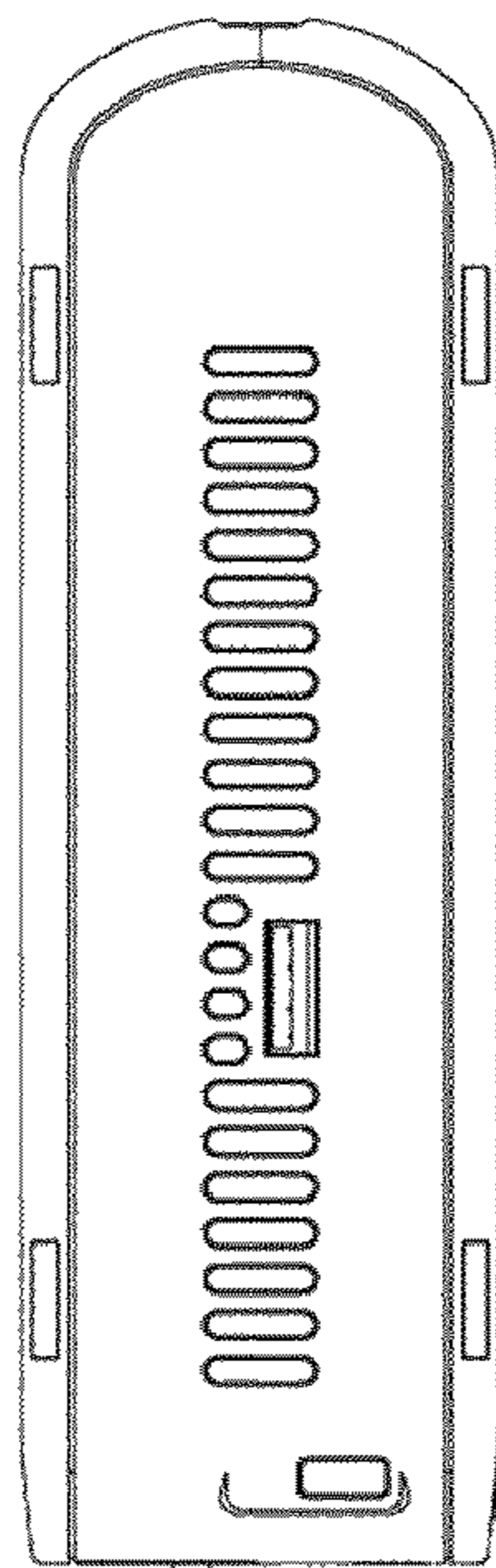


Fig. 8