



US00D641750S

(12) **United States Design Patent**
Hu et al.

(10) **Patent No.:** **US D641,750 S**
(45) **Date of Patent:** **** Jul. 19, 2011**

(54) **ELECTRONIC DEVICE WITH E-PAPER**

(75) Inventors: **Tai-Ping Hu**, Shenzhen (CN);
Xiong-Gang Cao, Shenzhen (CN)

(73) Assignee: **Hon Hai Precision Industry Co., Ltd.**,
Tu-Cheng, New Taipei (TW)

(**) Term: **14 Years**

(21) Appl. No.: **29/359,847**

(22) Filed: **Apr. 15, 2010**

(51) **LOC (9) Cl.** **14-02**

(52) **U.S. Cl.** **D14/341**

(58) **Field of Classification Search** D14/341-347,
D14/137, 138; D10/65, 104; D19/65, 89;
341/122; 346/173; 361/814; 455/556.1,
455/556.2, 566, 575.1, 575.3, 575.4, 90.3,
455/6.1; 379/433.04, 433.07, 433.11, 433.12,
379/433.13, 910, 916, 433.01, 433.06; 345/169,
345/901, 905

See application file for complete search history.

(56) **References Cited**

U.S. PATENT DOCUMENTS

D363,317 S *	10/1995	Sternberg et al.	D19/89
D372,499 S *	8/1996	Carlson et al.	D19/89
D597,090 S *	7/2009	Bemelmans	D14/341
D600,233 S *	9/2009	Birsel et al.	D14/341
D612,375 S *	3/2010	Oikawa et al.	D14/341
D628,997 S *	12/2010	Daniel	D14/341
D629,798 S *	12/2010	Arie et al.	D14/341

* cited by examiner

Primary Examiner — Brian N Vinson

(74) *Attorney, Agent, or Firm* — Zhigang Ma

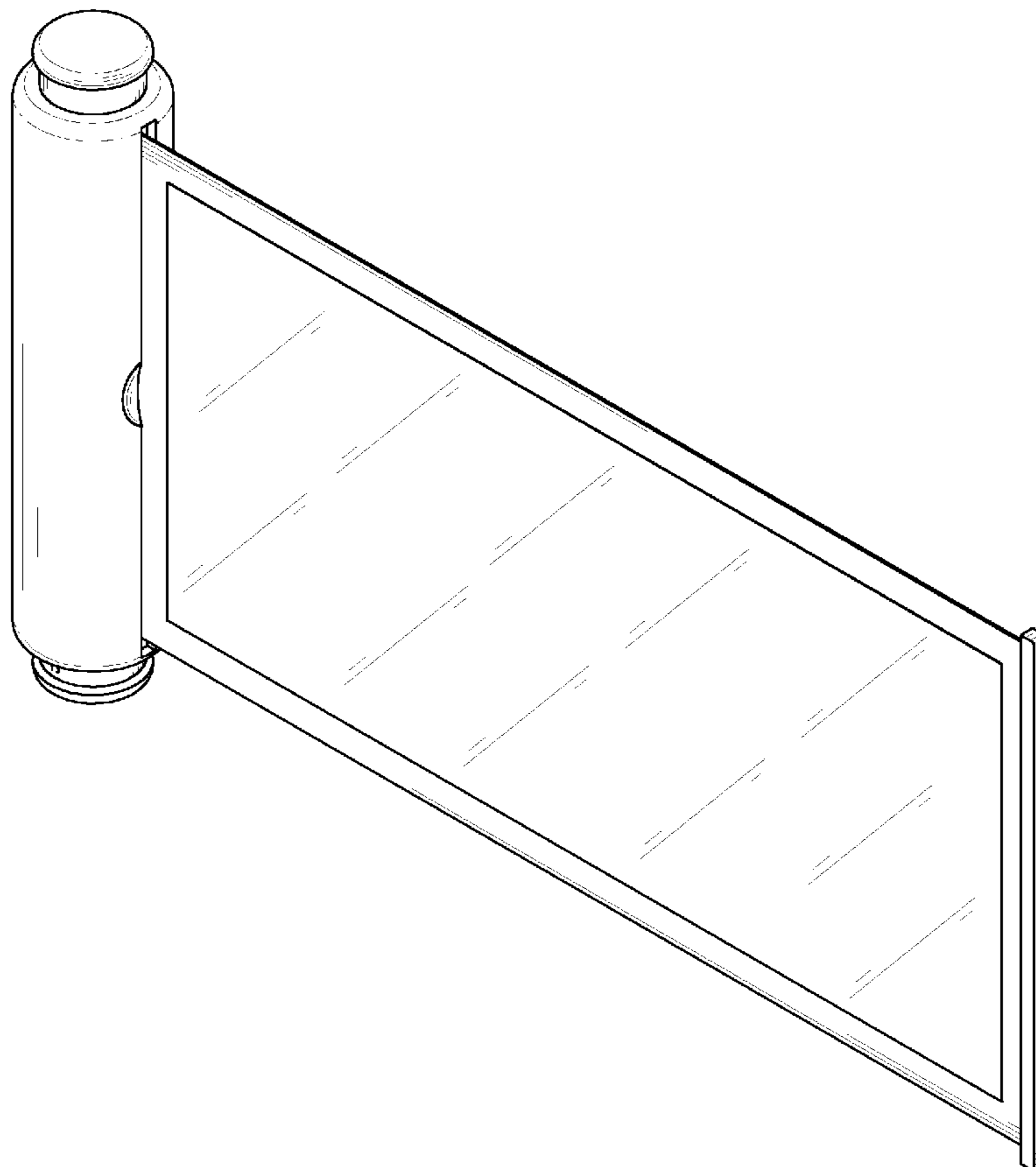
(57) **CLAIM**

The ornamental design for an electronic device with e-paper, as shown and described.

DESCRIPTION

FIG. 1 is a perspective view of an electronic device with e-paper showing our new design;
FIG. 2 is a front elevational view thereof;
FIG. 3 is a rear elevational view thereof;
FIG. 4 is a left side elevational view thereof;
FIG. 5 is a right side elevational view thereof;
FIG. 6 is a top plan view thereof;
FIG. 7 is a bottom plan view thereof; and,
FIG. 8 is a perspective thereof in an open position.

1 Claim, 8 Drawing Sheets



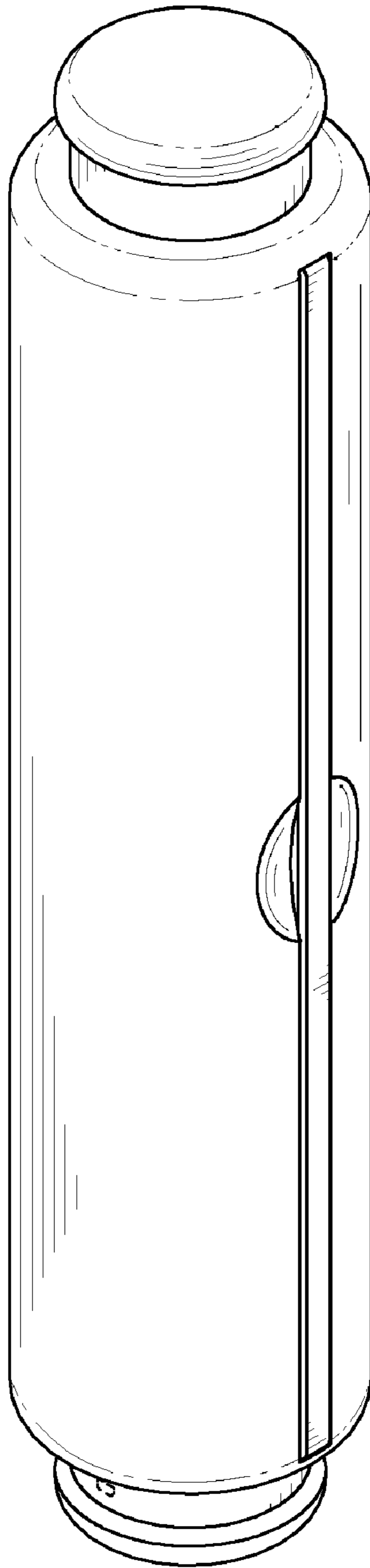


FIG. 1

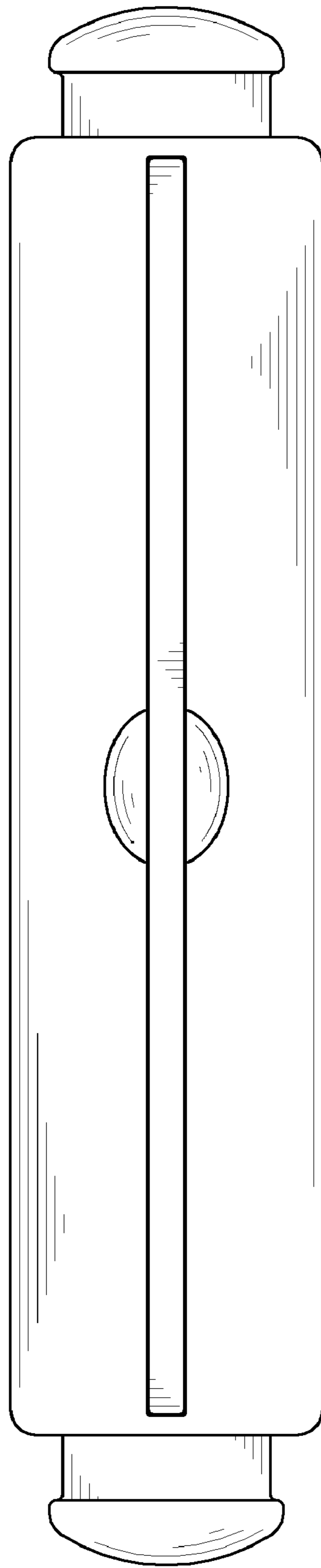


FIG. 2

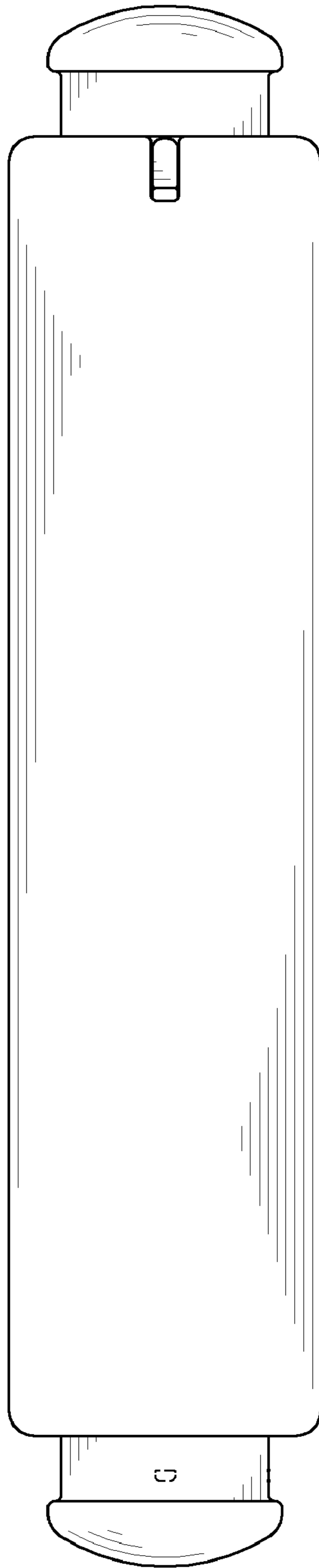


FIG. 3

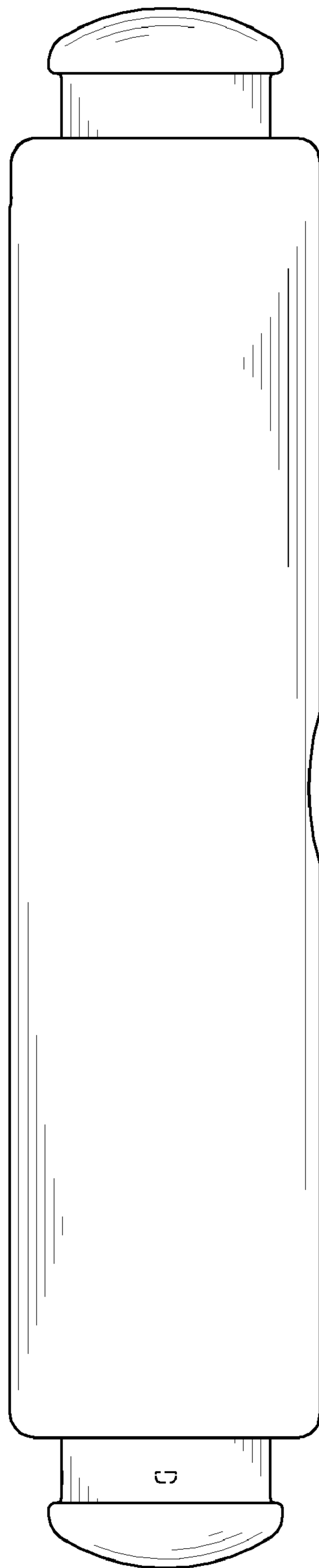


FIG. 4

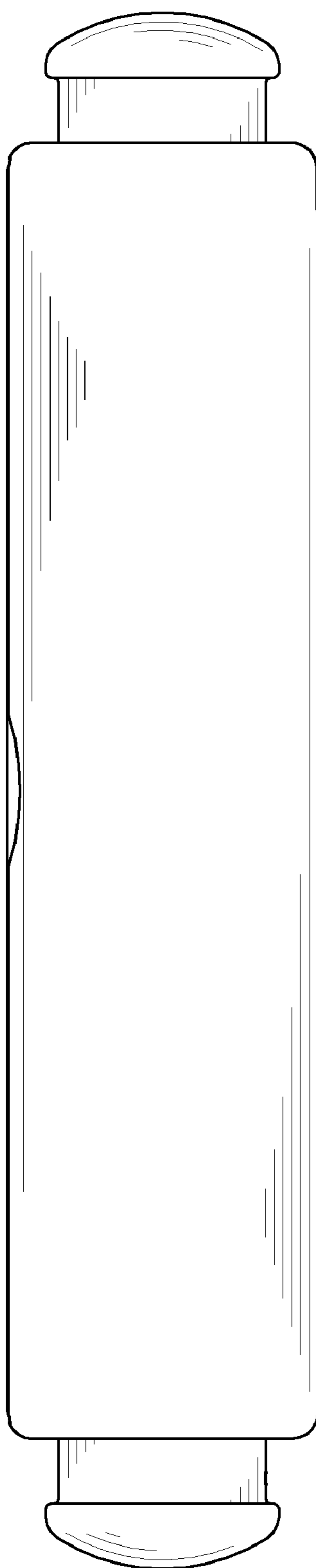


FIG. 5

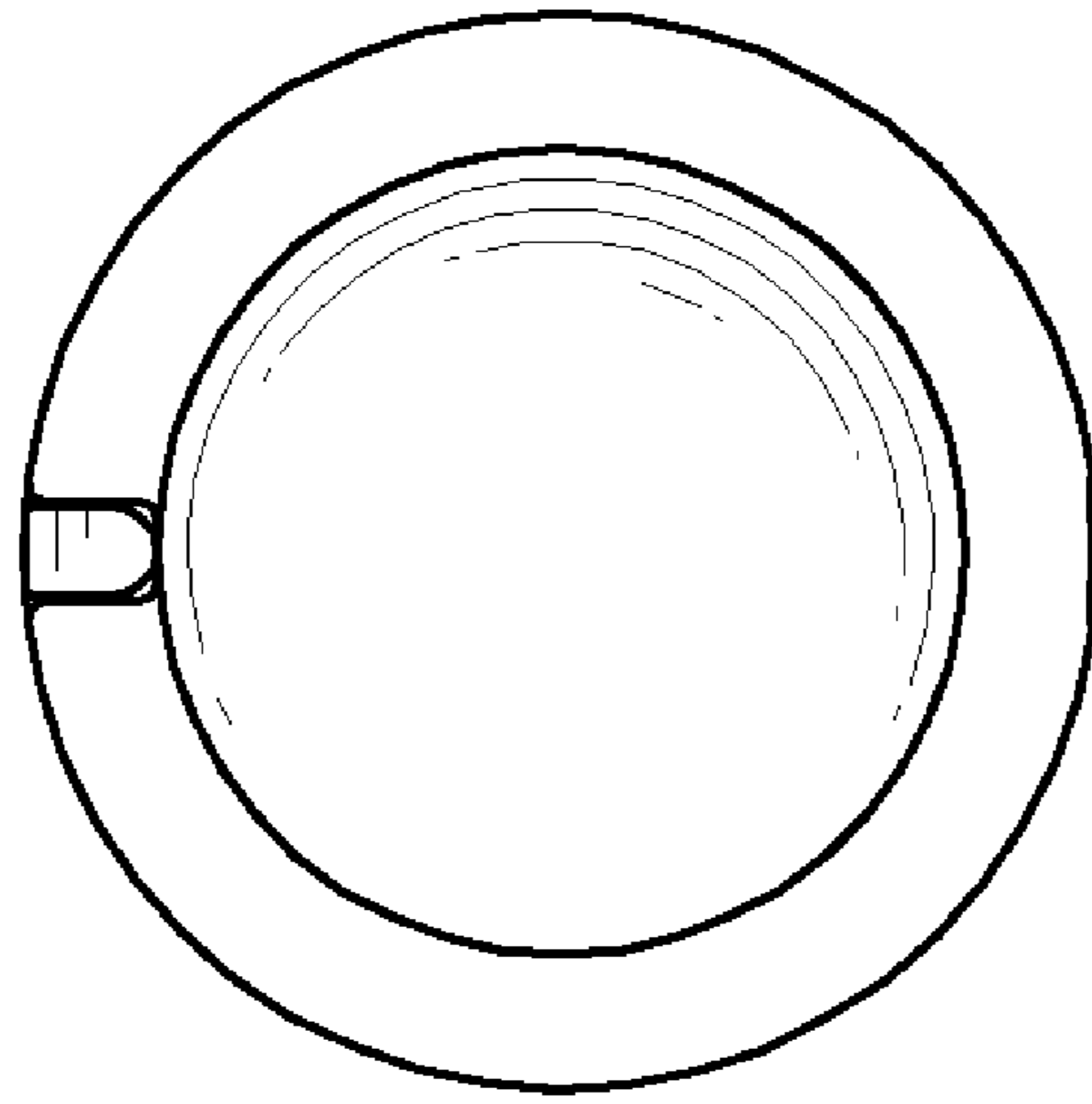


FIG. 6

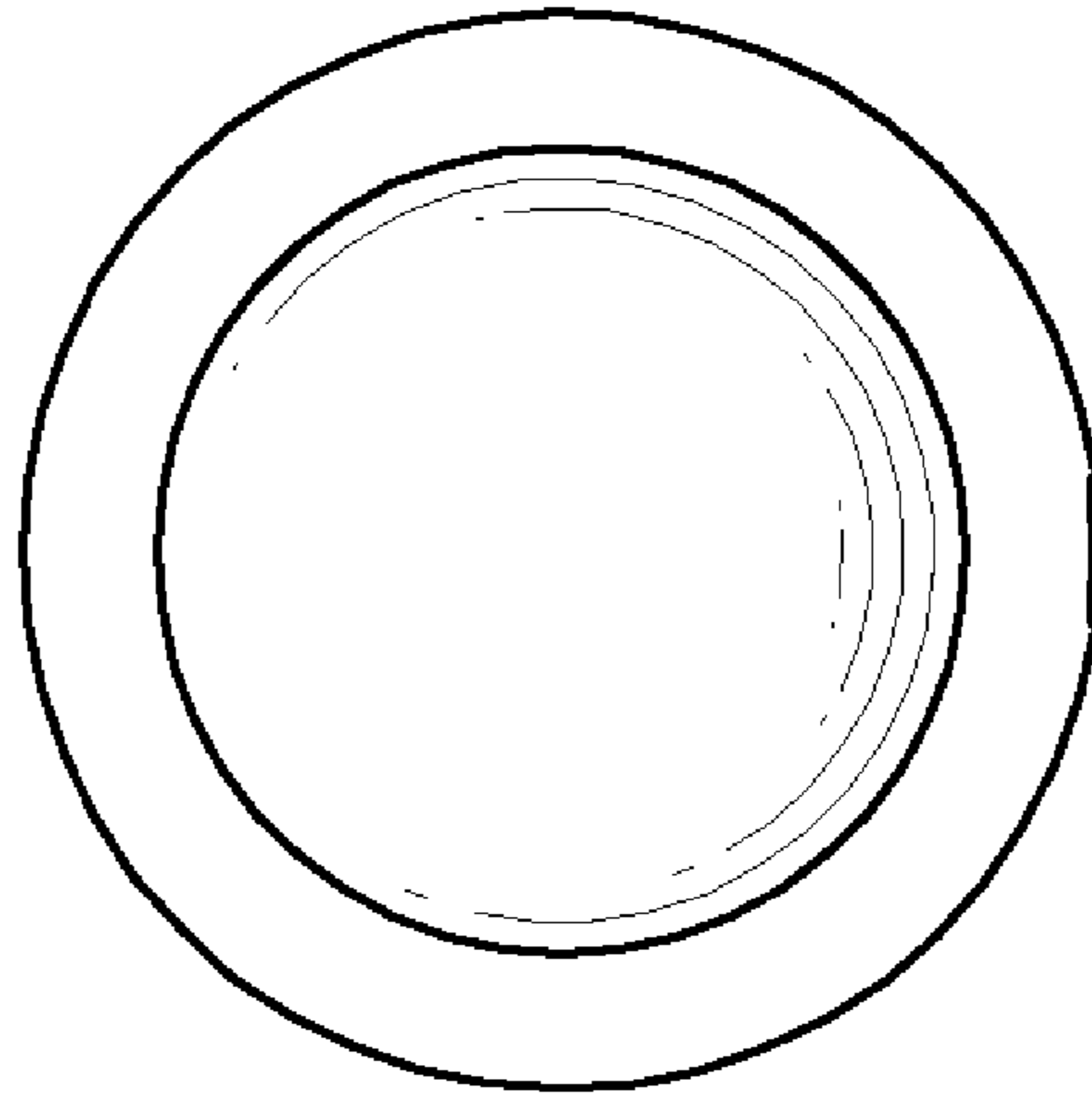


FIG. 7

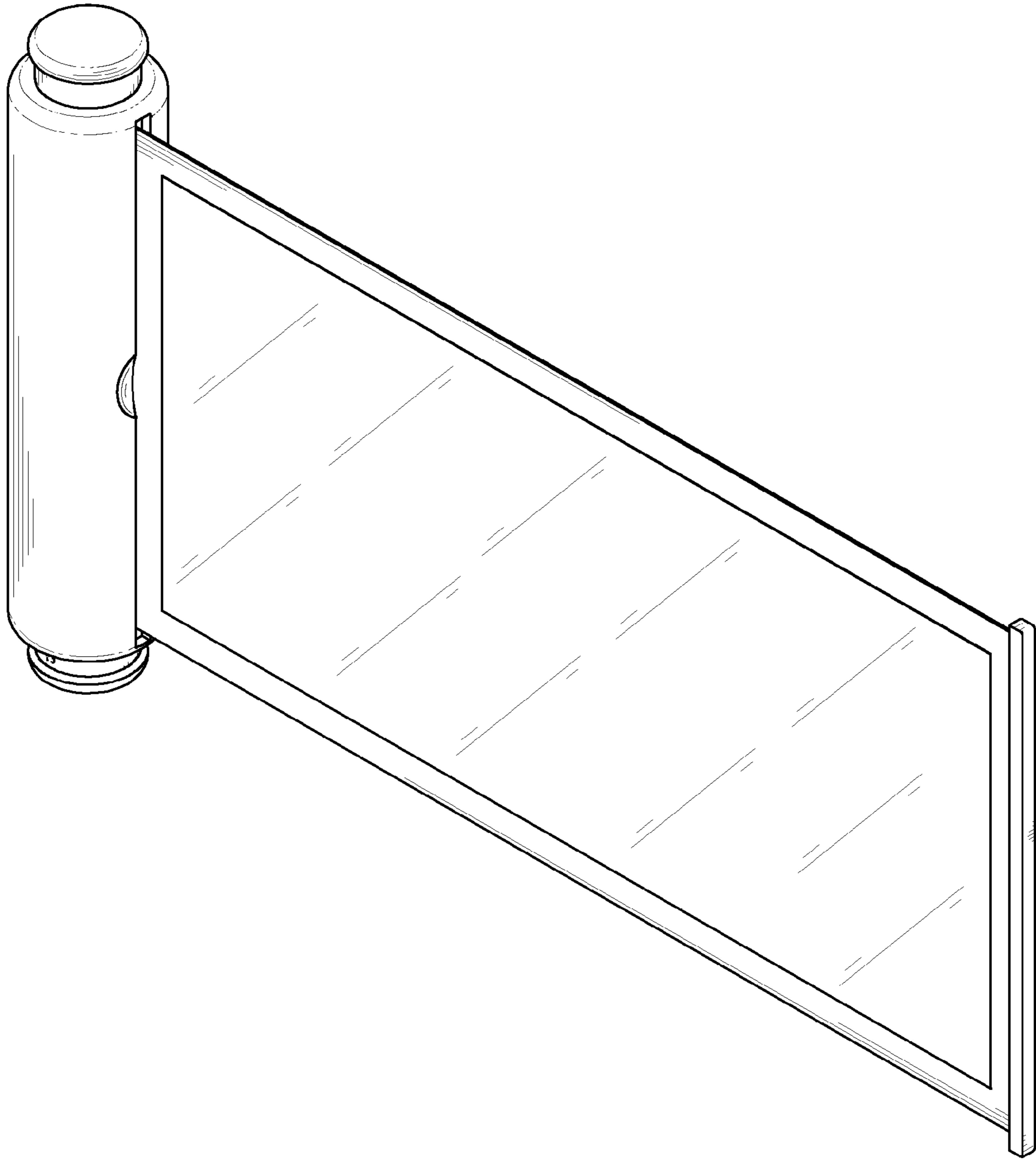


FIG. 8