



US00D641748S

(12) **United States Design Patent**
Kawase

(10) **Patent No.:** **US D641,748 S**
(45) **Date of Patent:** **** Jul. 19, 2011**

- (54) **NET BOOK**
- (75) Inventor: **Atsushi Kawase**, Seoul (KR)
- (73) Assignee: **Samsung Electronics Co., Ltd.**, Suwon, Kyunggi-do (KR)
- (**) Term: **14 Years**
- (21) Appl. No.: **29/349,397**
- (22) Filed: **Mar. 31, 2010**
- (51) **LOC (9) Cl.** **14-02**
- (52) **U.S. Cl.** **D14/315**
- (58) **Field of Classification Search** D14/315-327, D14/331, 341, 345; D18/1, 2, 7; 345/1.1, 345/156, 168, 173; 361/679.01, 679.06, 361/679.08, 679.09, 679.15, 679.55
See application file for complete search history.

- D556,192 S 11/2007 Jeong et al.
- D567,236 S 4/2008 Yoon
- D578,523 S 10/2008 Yoon
- D578,524 S 10/2008 Yoon
- D578,525 S 10/2008 Yoon
- D580,432 S 11/2008 Yun et al.
- D586,343 S 2/2009 Lee et al.
- D586,796 S 2/2009 Lee et al.
- D586,797 S 2/2009 Kawase et al.
- D587,701 S 3/2009 Yoon
- D596,633 S 7/2009 Kawase et al.
- D603,391 S 11/2009 Song et al.
- D603,392 S 11/2009 Jeong et al.
- D603,393 S 11/2009 Paek
- D603,394 S 11/2009 Lee

(Continued)

OTHER PUBLICATIONS

U.S. Appl. No. 29/313,601, Applicant: Seung-Hyun Paek, filed Jan. 26, 2009 entitled Notebook Computer.

(Continued)

(56) **References Cited**

U.S. PATENT DOCUMENTS

- D332,944 S 2/1993 Kim
- D334,738 S 4/1993 Kim
- D335,870 S 5/1993 Yun
- D336,465 S 6/1993 Kim
- D338,457 S 8/1993 Kim
- D348,442 S 7/1994 Yoon
- D453,756 S * 2/2002 Kamegi D14/318
- D464,344 S * 10/2002 Jobs et al. D14/318
- D488,809 S * 4/2004 Kamegi D14/318
- D492,678 S 7/2004 Kim et al.
- D494,581 S * 8/2004 Araki D14/318
- D523,010 S 6/2006 Paek et al.
- D523,431 S 6/2006 Yoon
- D523,851 S 6/2006 Jeong et al.
- D523,852 S 6/2006 Kim et al.
- D524,306 S 7/2006 Yun et al.
- D524,307 S 7/2006 Kim et al.
- D526,998 S * 8/2006 Kondo D14/327
- D535,652 S 1/2007 Lee et al.
- D547,309 S 7/2007 Yoon
- D547,310 S 7/2007 Yoon

Primary Examiner — Freda S Nunn

(74) *Attorney, Agent, or Firm* — Flynn, Thiel, Boutell & Tanis, P.C.

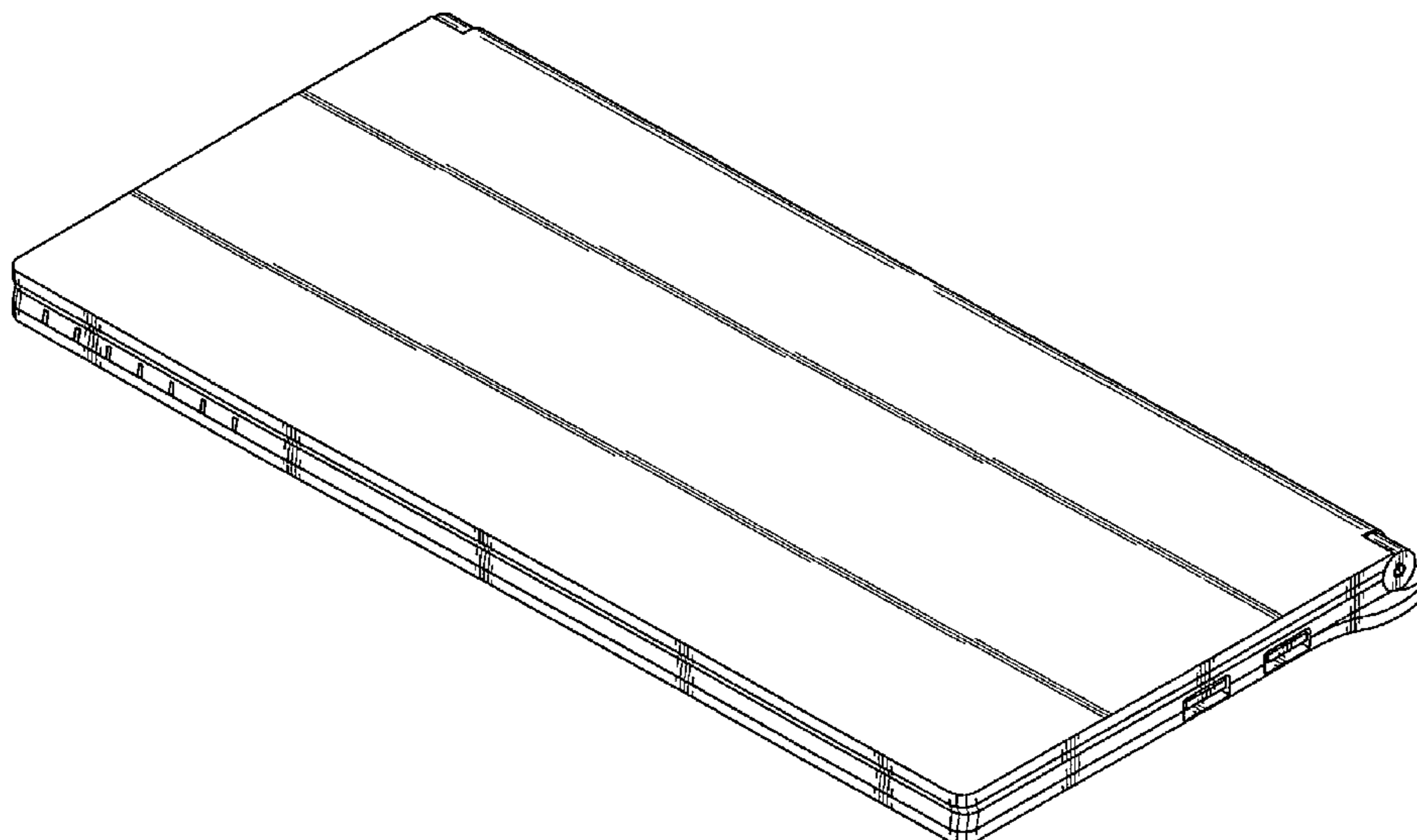
(57) **CLAIM**

The ornamental design for a net book, as shown and described.

DESCRIPTION

FIG. 1 is a top front perspective view of a net book showing my new design;
FIG. 2 is a front elevational view thereof;
FIG. 3 is a rear elevational view thereof;
FIG. 4 is a left side elevational view thereof;
FIG. 5 is a right side elevational view thereof;
FIG. 6 is a top plan view thereof; and,
FIG. 7 is a bottom plan view thereof.

1 Claim, 3 Drawing Sheets



U.S. PATENT DOCUMENTS

D603,395	S	11/2009	Hong et al.	
D603,861	S	11/2009	Hong et al.	
D606,067	S	12/2009	Yoon	
D606,068	S	12/2009	Hong et al.	
D606,069	S	12/2009	Heck et al.	
D606,070	S	12/2009	Heck et al.	
D606,534	S	12/2009	Hong et al.	
D608,777	S	1/2010	Yoon	
D611,468	S	3/2010	Yun et al.	
D614,614	S	4/2010	Yoon	
D614,615	S	4/2010	Yoon	
2003/0103324	A1*	6/2003	Gallivan	361/681
2005/0083644	A1*	4/2005	Song	361/683
2006/0038795	A1*	2/2006	Lee	345/173

OTHER PUBLICATIONS

U.S. Appl. No. 29/349,005, Applicant: Atsushi Kawase et al., filed Mar. 1, 2010 entitled Note Book.
 U.S. Appl. No. 29/349,008, Applicant: Se-O Lee et al., filed Mar. 2, 2010 entitled Net Book.
 U.S. Appl. No. 29/349,009, Applicant: Sang-Won Yoon et al., filed Mar. 2, 2010 entitled Net Book.

U.S. Appl. No. 29/349,010, Applicant: Seung-Hyun Paek et al., filed Mar. 2, 2010 entitled Net Book.
 U.S. Appl. No. 29/349,011, Applicant: Se-O Lee et al., filed Mar. 2, 2010, entitled Net Book.
 U.S. Appl. No. 29/349,022, Applicant: Sang-Won Yoon, et al., filed Mar. 2, 2010 entitled Net Book.
 U.S. Appl. No. 29/349,023, Applicant: Sang-Won Yoon, filed Mar. 2, 2010 entitled Net Book.
 U.S. Appl. No. 29/349,024, Applicant: Seung-Hyun Paek, filed Mar. 2, 2010 entitled Net Book.
 U.S. Appl. No. 29/349,025, Applicant: Sang-won Yoon, filed Mar. 2, 2010 entitled Net Book.
 U.S. Appl. No. 29/349,395, Applicant: Anders P. Jensen et al., filed Mar. 31, 2010 entitled Note Book.
 U.S. Appl. No. 29/349,401, Applicant: Anders P. Jensen et al., filed Mar. 31, 2010 entitled Note Book.
 U.S. Appl. No. 29/349,402, Applicant: Atsushi Kawase, filed Mar. 31, 2010 entitled Note Book.
 U.S. Appl. No. 29/349,403, Applicant: Atsushi Kawase, filed Mar. 31, 2010 entitled Net Book.
 U.S. Appl. No. 29/349,404, Applicant: Atsushi Kawase, filed Mar. 31, 2010 entitled Net Book.

* cited by examiner

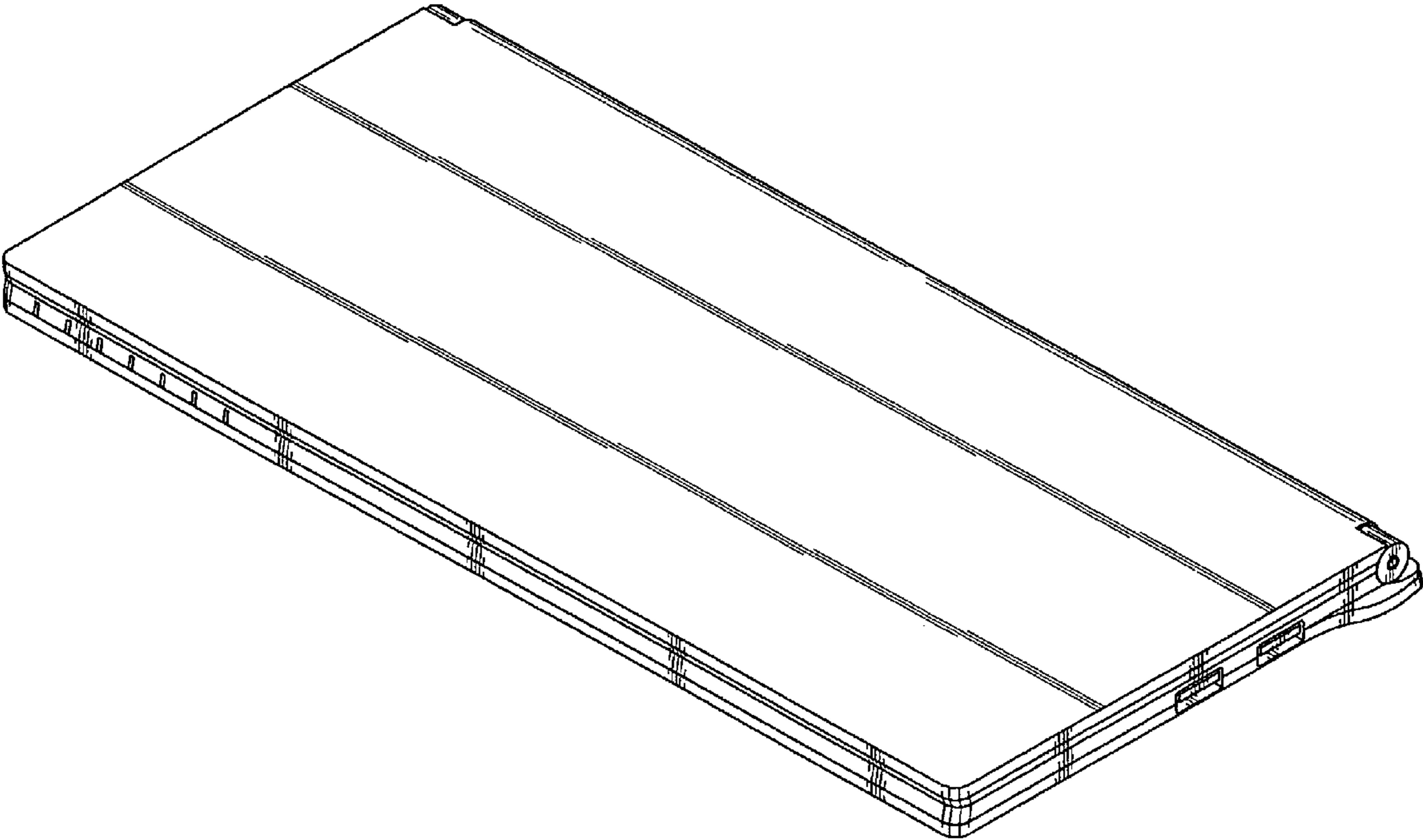


FIG. 1

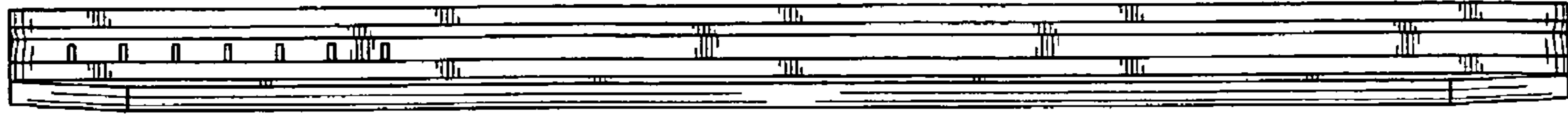


FIG. 2

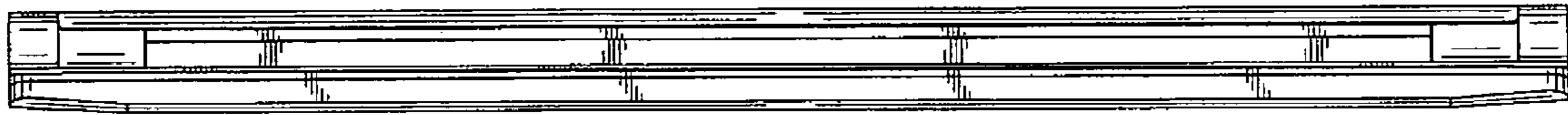


FIG. 3



FIG. 4

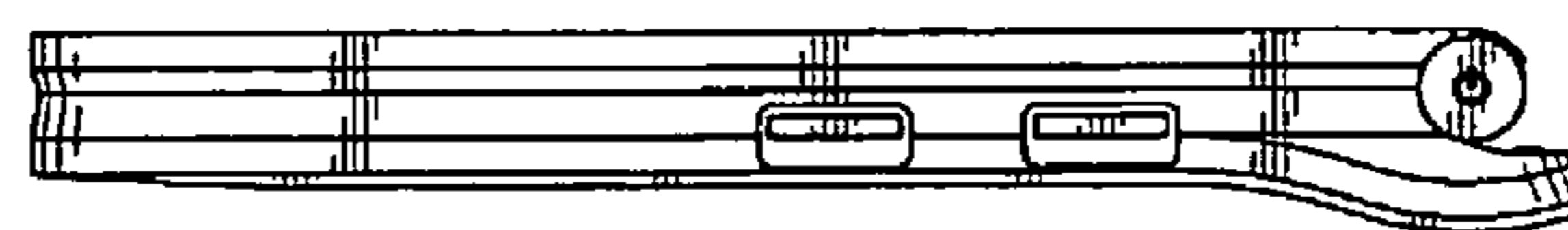


FIG. 5

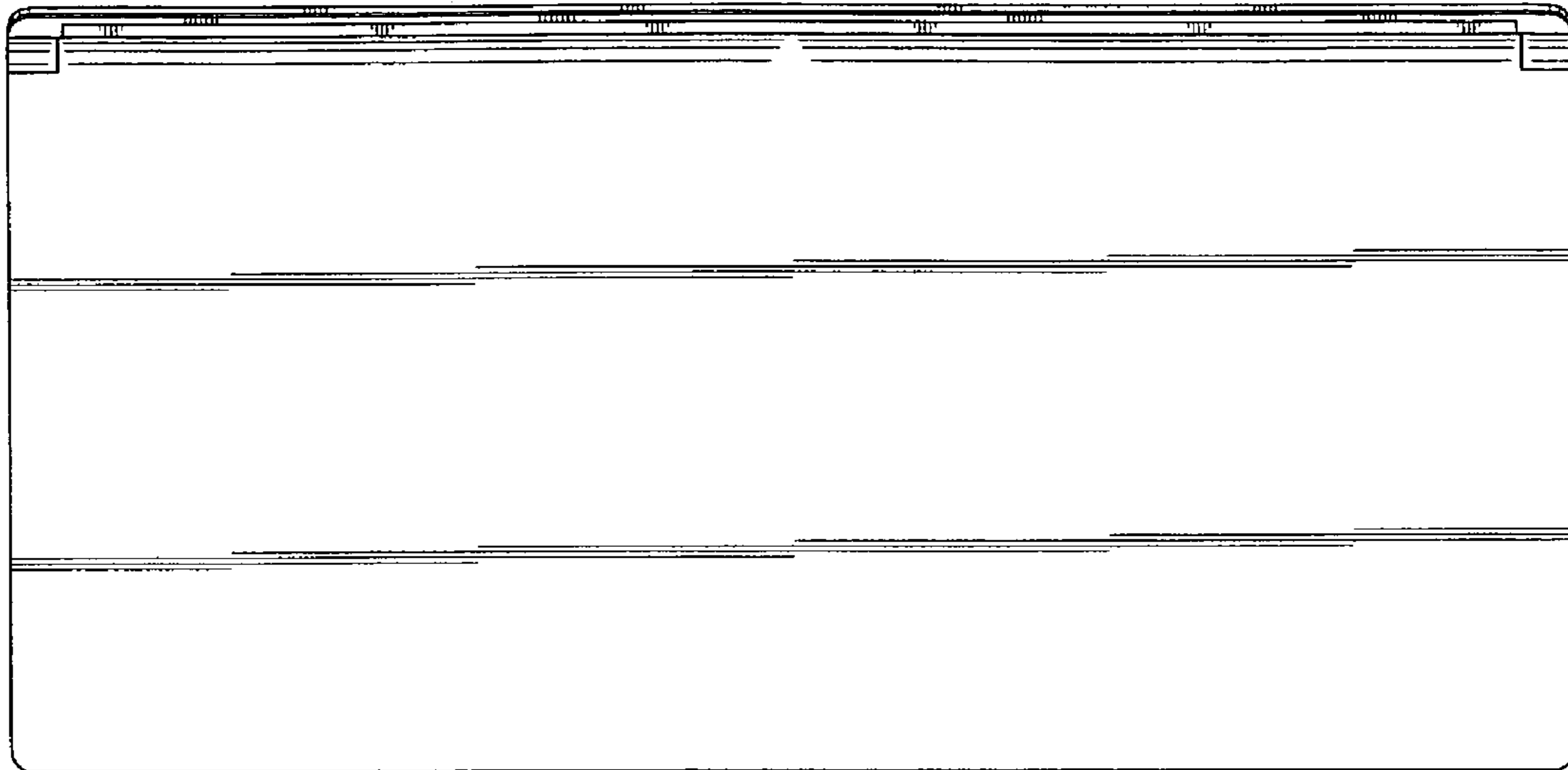


FIG. 6

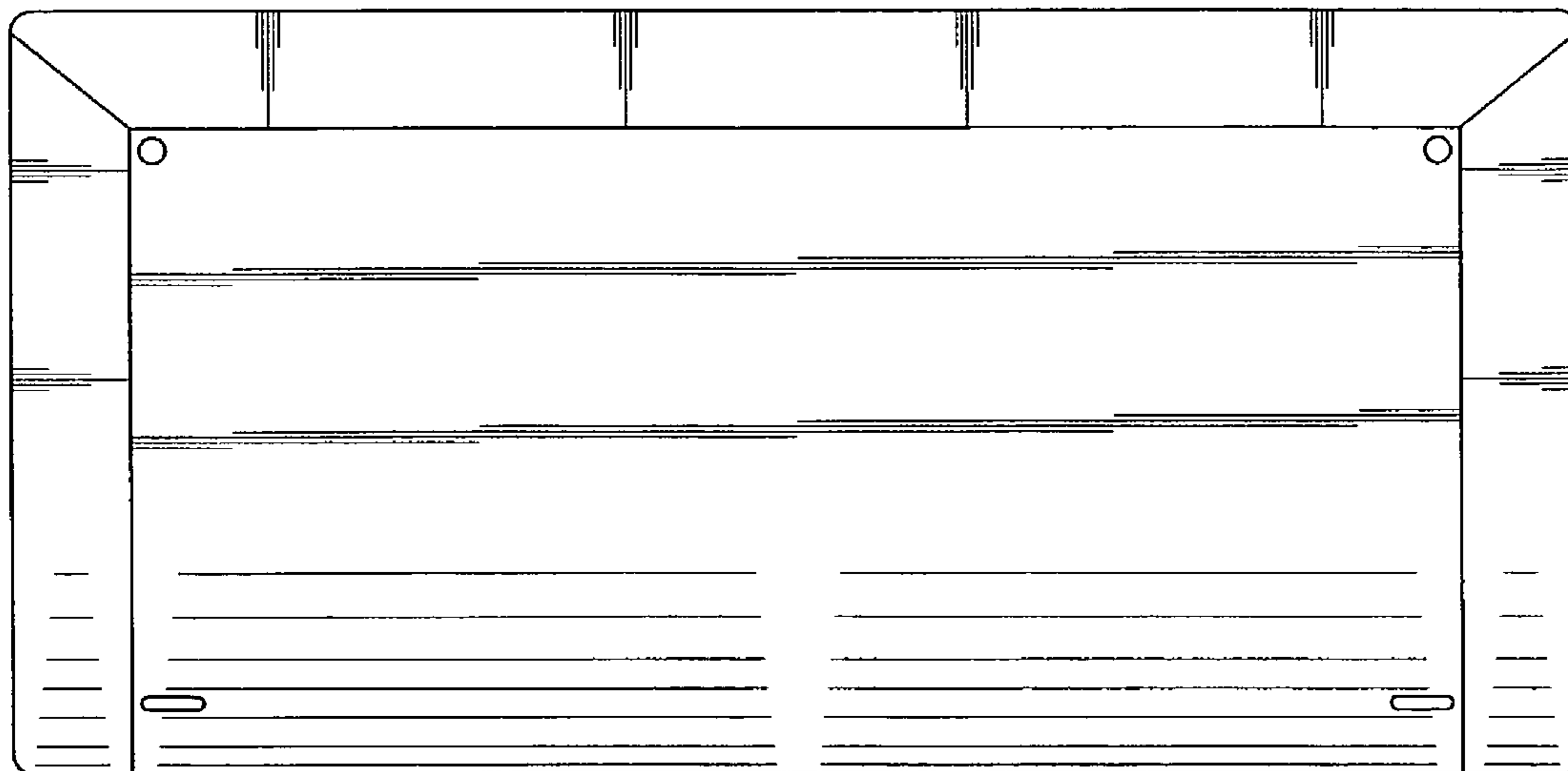


FIG. 7